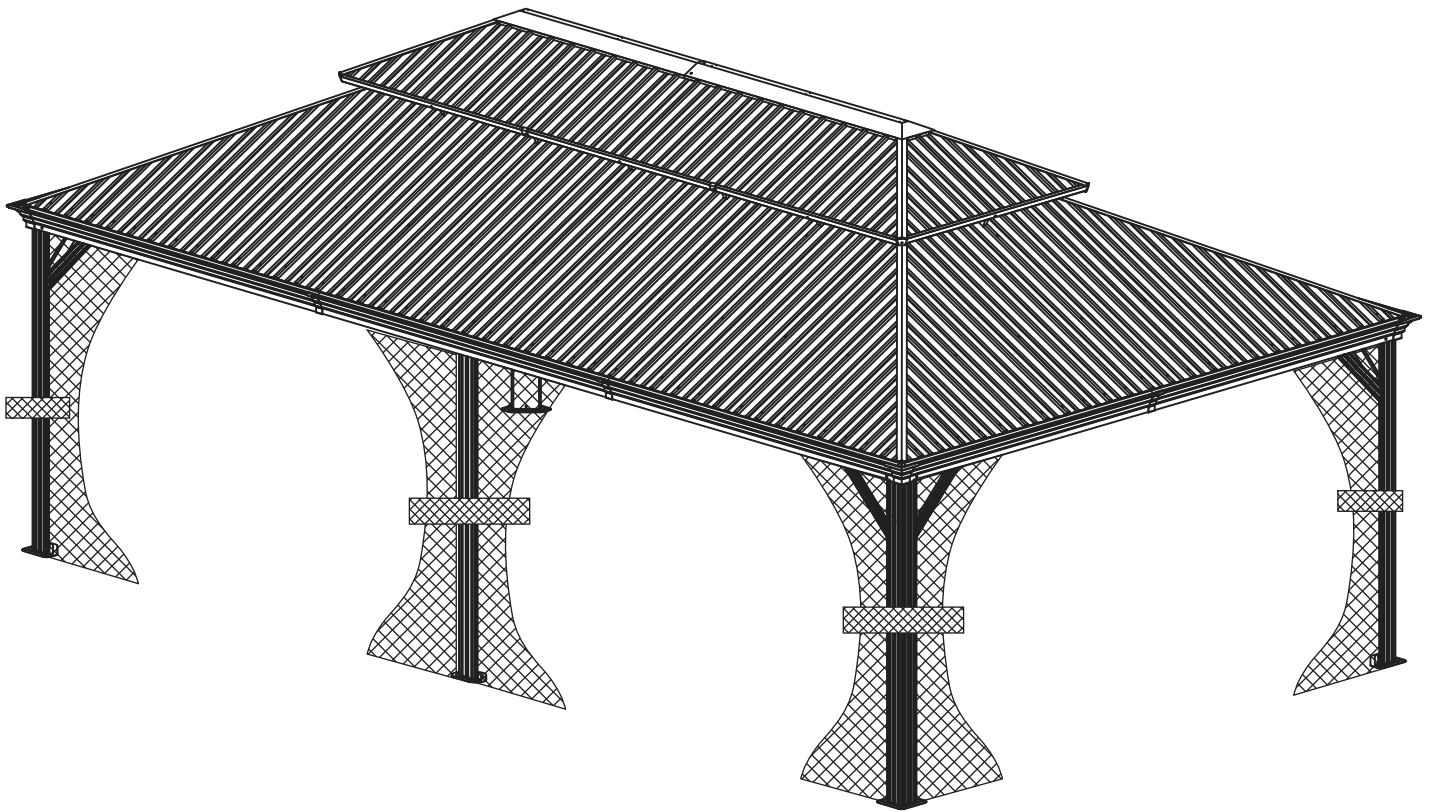




VEIKOUS



www.veikous.com



customerservice@veikous.com

STOP

**MISSING A PART?
CALL US BEFORE GOING
BACK TO THE STORE**

The store where you made your purchase
Does not stock parts for this item.

If you have assembly questions or you are missing or
have damaged parts, please call

1-858-324-1911

(Mon - Sun, 10:00 am to 7:00 pm EST)

you can also e-mail customerservice@veikous.com

or visit www.veikous.com

Please prefer email contact. Due to busy lines,
there may be a wait for calls to be answered.

**Please have the following information ready when you contact us,
so we can assist you promptly.**


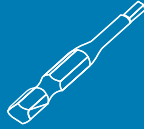





- Order number or PO number (you can find the info on your invoice, receipt or platform account).
- The model number of the product (printed on the package box).
- Description of the part from the parts list.

-
- Read entire assembly manual, paying special attention to the important tips and safety information .
 - Ensure there are no missing pieces by first separating and identifying all parts.
 - Make sure to check packing material for small parts that may have fallen out during shipment.
 - Structures are not intended for public use. The Company does not warranty any of its residential structures subjected to commercial use such as: Daycare, Preschool, Nursery School, Recreational Park, or any similar Commercial Application.
 - This manual contains helpful information concerning assembly preparation, installation procedure and required maintenance.
 - Always keep safety in mind as your structure is being built.
 - Keep these instructions for future reference.

TOOLS REQUIRED

EQUIPMENT REQUIRED (Not included in boxes)

*NOTE: Tools / equipment are not shown to actual size and scale.

	DRILL		ALLEN KEY
	SAETY HAT		GLOCES
	STEPLADDER (6.5Ft Or More)		PHILLIPS SCREW
	SAFETY GOGGLES		

Matters needing attention

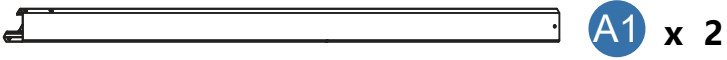
	It requires more than three people to assemble		Do not fully tighten screws prior to complete assembly
---	---	---	---



A x 4



E1 x 8



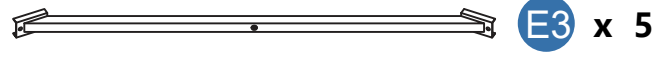
A1 x 2



E2 x 4



A2 x 8



E3 x 5



A3 x 8



E4 x 4



A4 x 8



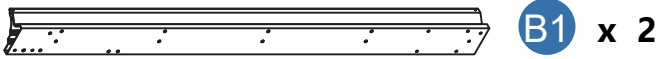
F1 x 4



B x 2



F2 x 4



B1 x 2



F3 x 2



B2a x 2



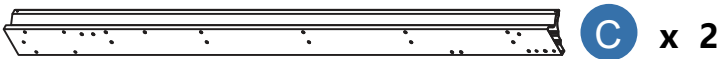
F4 x 2



B2b x 2



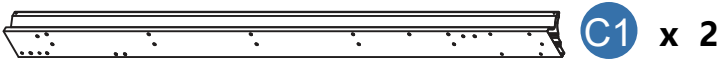
F5 x 2



C x 2



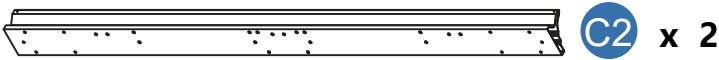
F6 x 2



C1 x 2



H x 8



C2 x 2



I x 8



C2a x 2



J x 2



C2b x 2



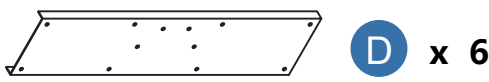
J1 x 2



C2c x 4



J2 x 2



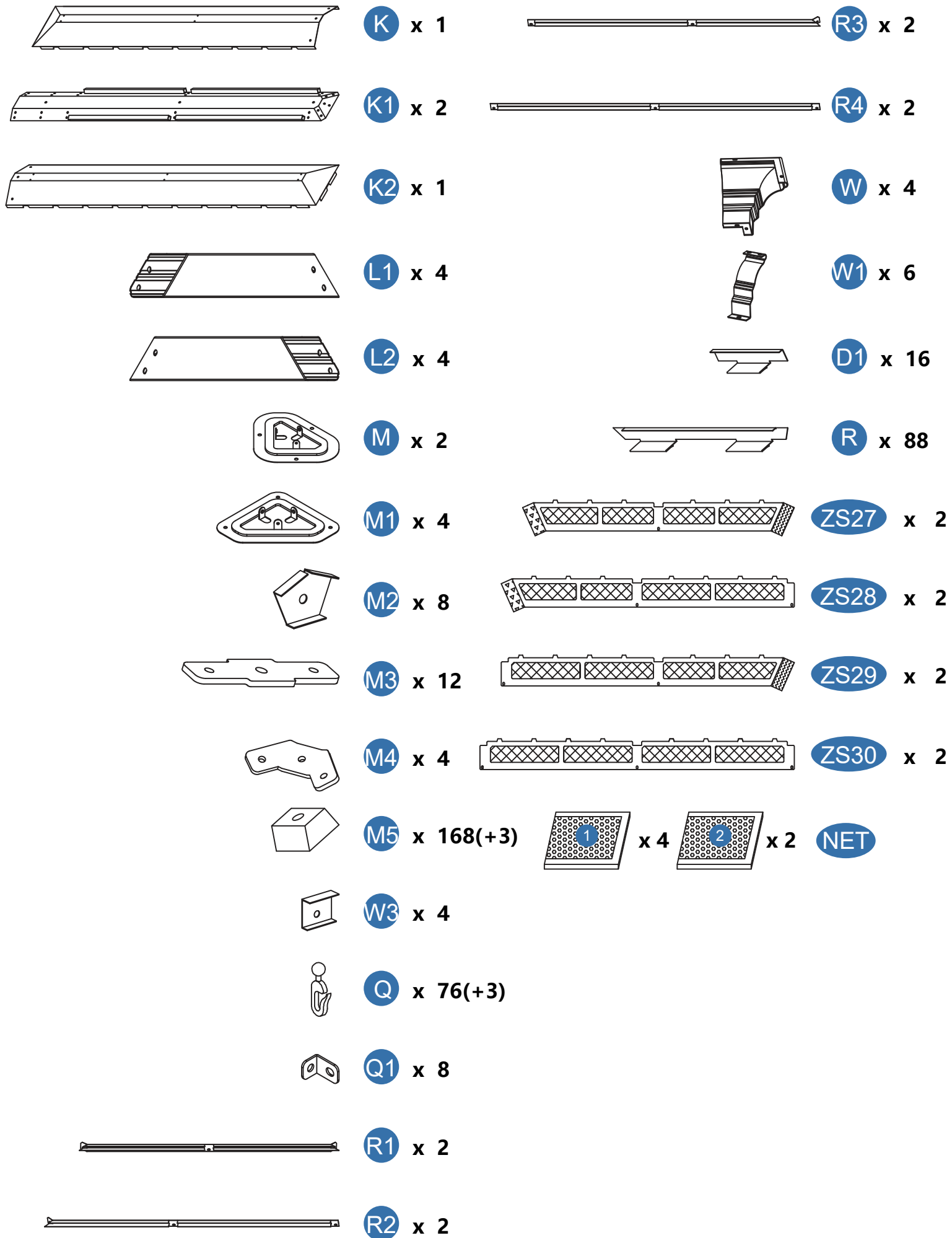
D x 6



J3 x 2



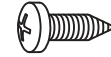
E x 4





M6x47mm

S x 30(+3)



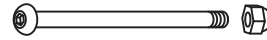
ST4.8x12mm

Y x 28(+5)



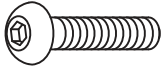
M6x23mm

T x 120(+10)



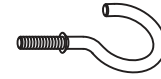
M6x85mm

S2 x 4(+2)

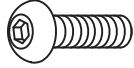


M6x23mm

U x 29(+3)



Wa x 5

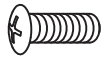


M6x15mm

V x 396(+10)



W2 x 1



M4x12mm

V1 x 16(+2)

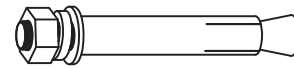


Z x 1

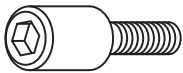


M6x15mm

V2 x 11(+2)

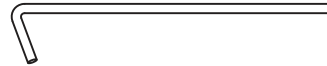


Z1 x 18



M6x10mm(D10x20mm)

X x 16(+2)

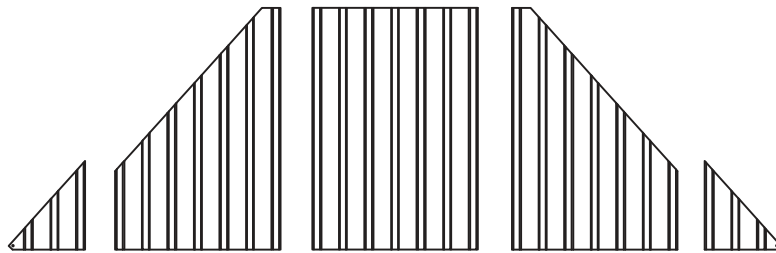


Z2 x 18



M6x42mm

X1 x 10(+2)



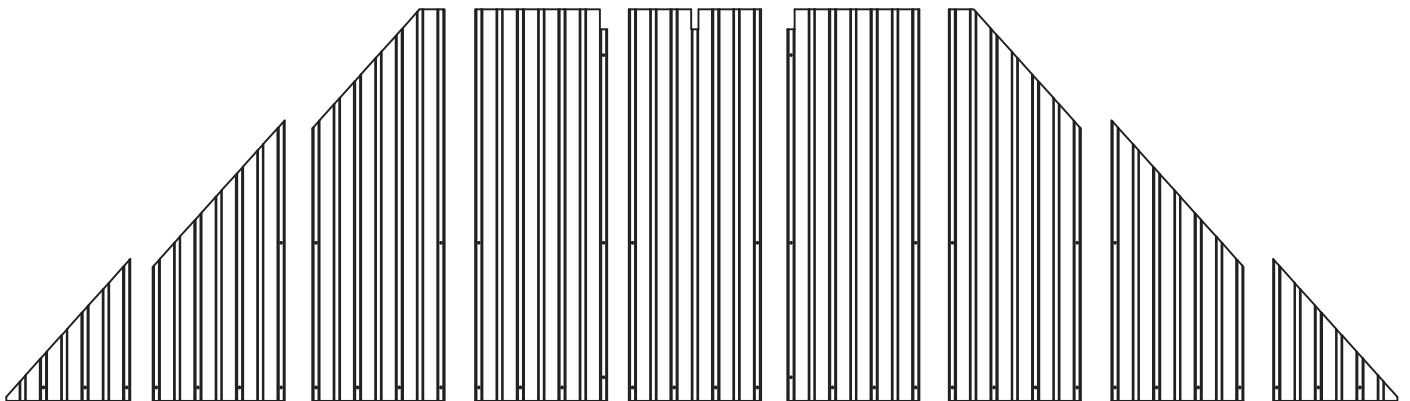
P x4

P1 x4

P4 x12

P2 x4

P3 x4



N x4

N1 x4

N2 x4

N3 x8

N8 x4

N4 x8

N5 x4

N6 x4

N7 x4

1



A x 4



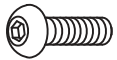
A2 x 8



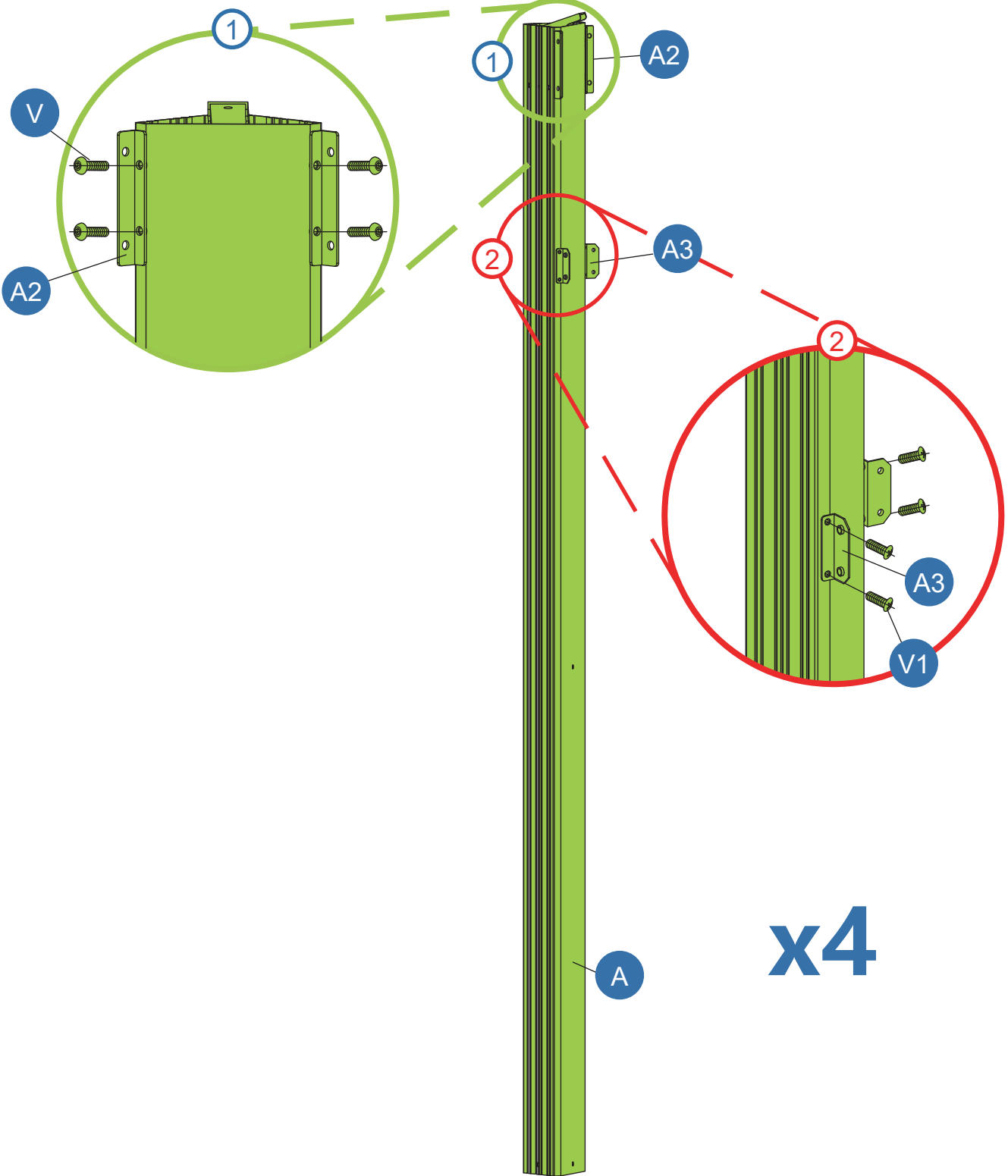
A3 x 8



V1 x 16



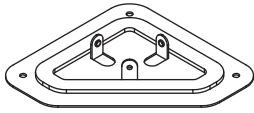
V x 16



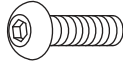
As shown in the diagram, attach parts "A2/A3" to part "A". Use four "V" screws for "A2" and four "V1" screws for "A3."

Note: Repeat the above steps for the remaining sections.

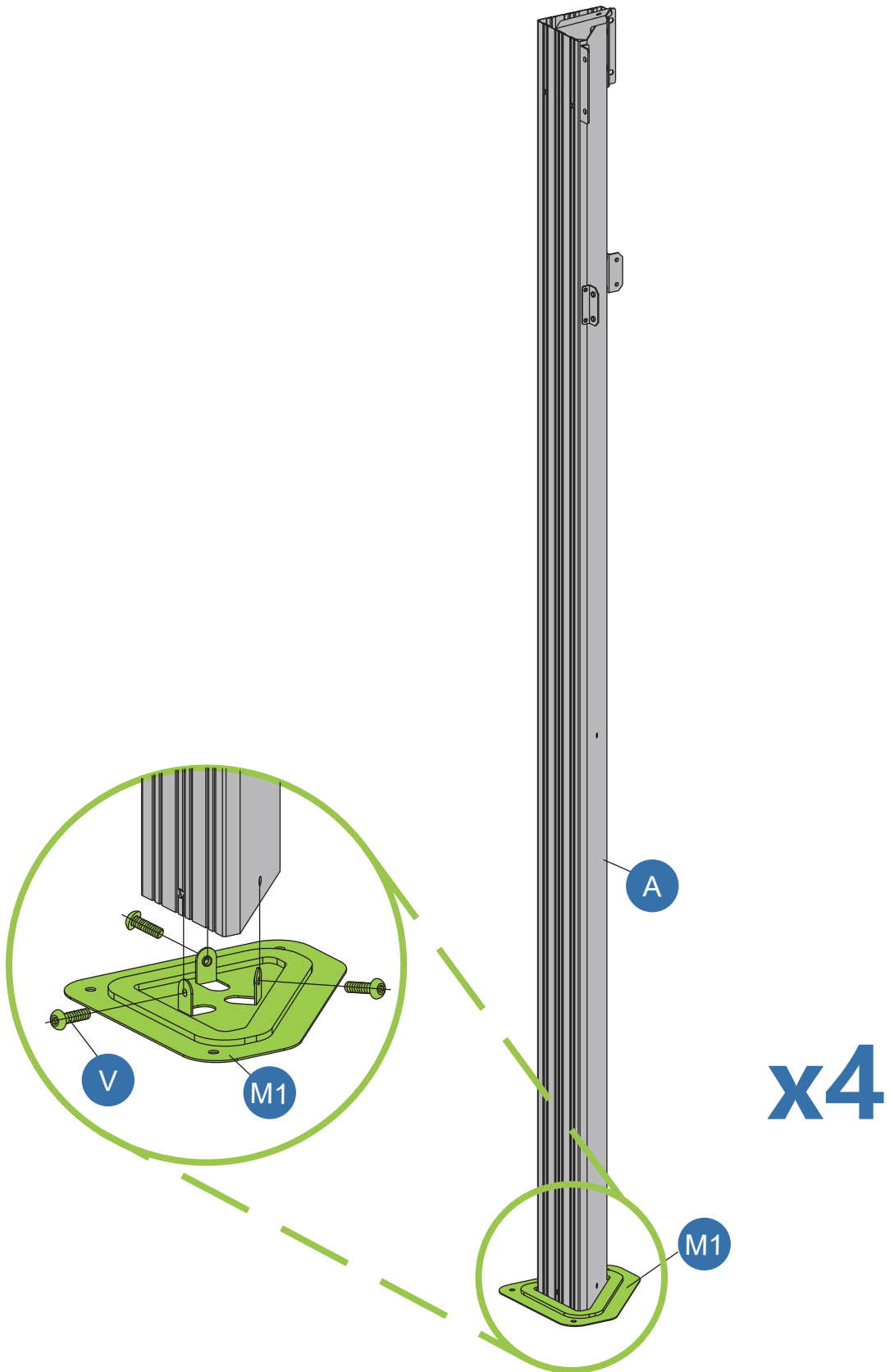
2



M1 x 4

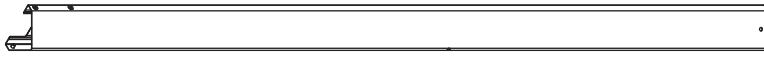


V x 12

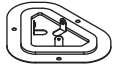


Attach part "M1" to the bottom of part "A" and secure it with three "V" screws.
Note: Repeat the above steps for the remaining sections.

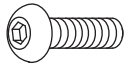
3



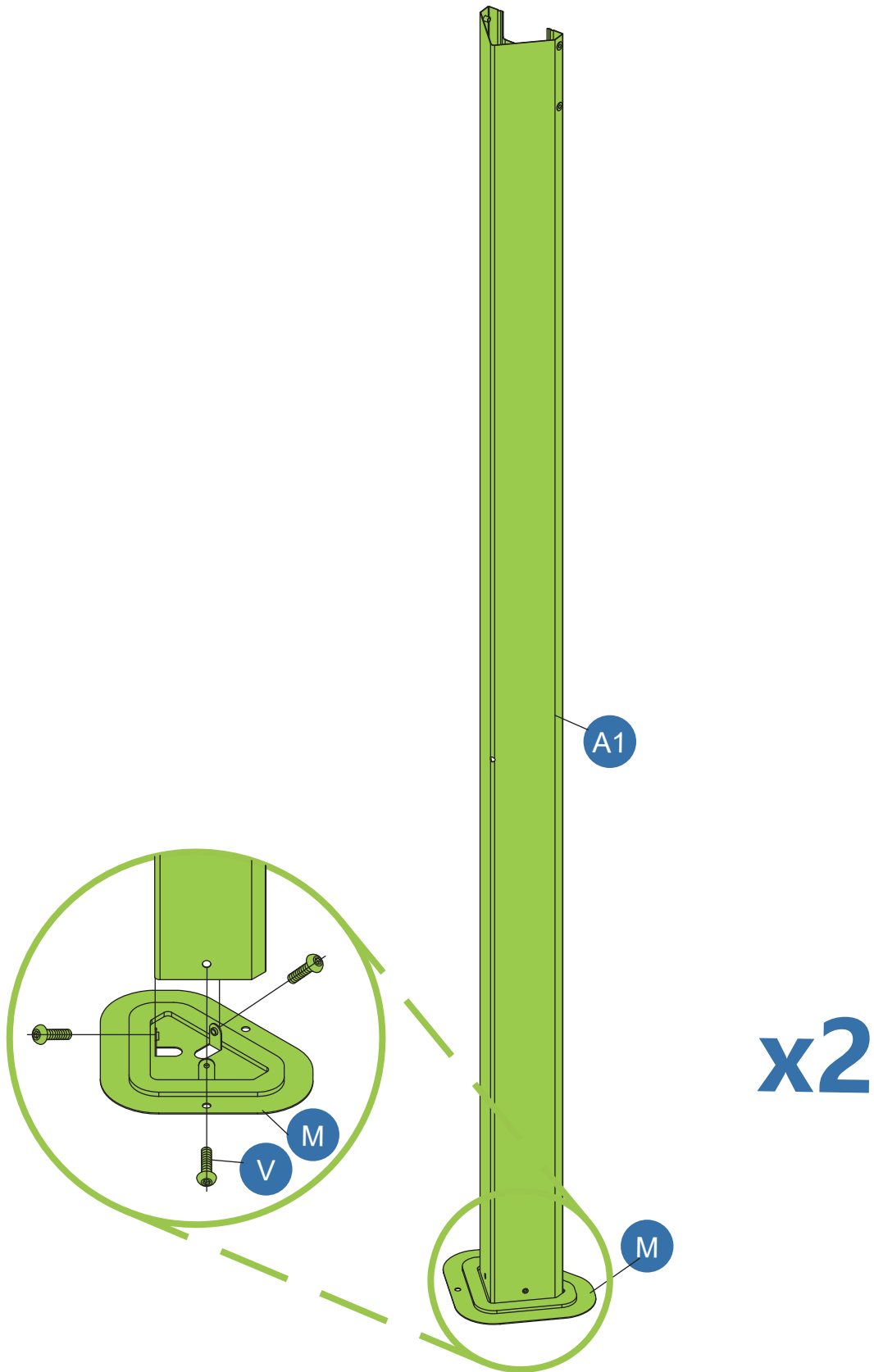
A1 x 2



M x 2

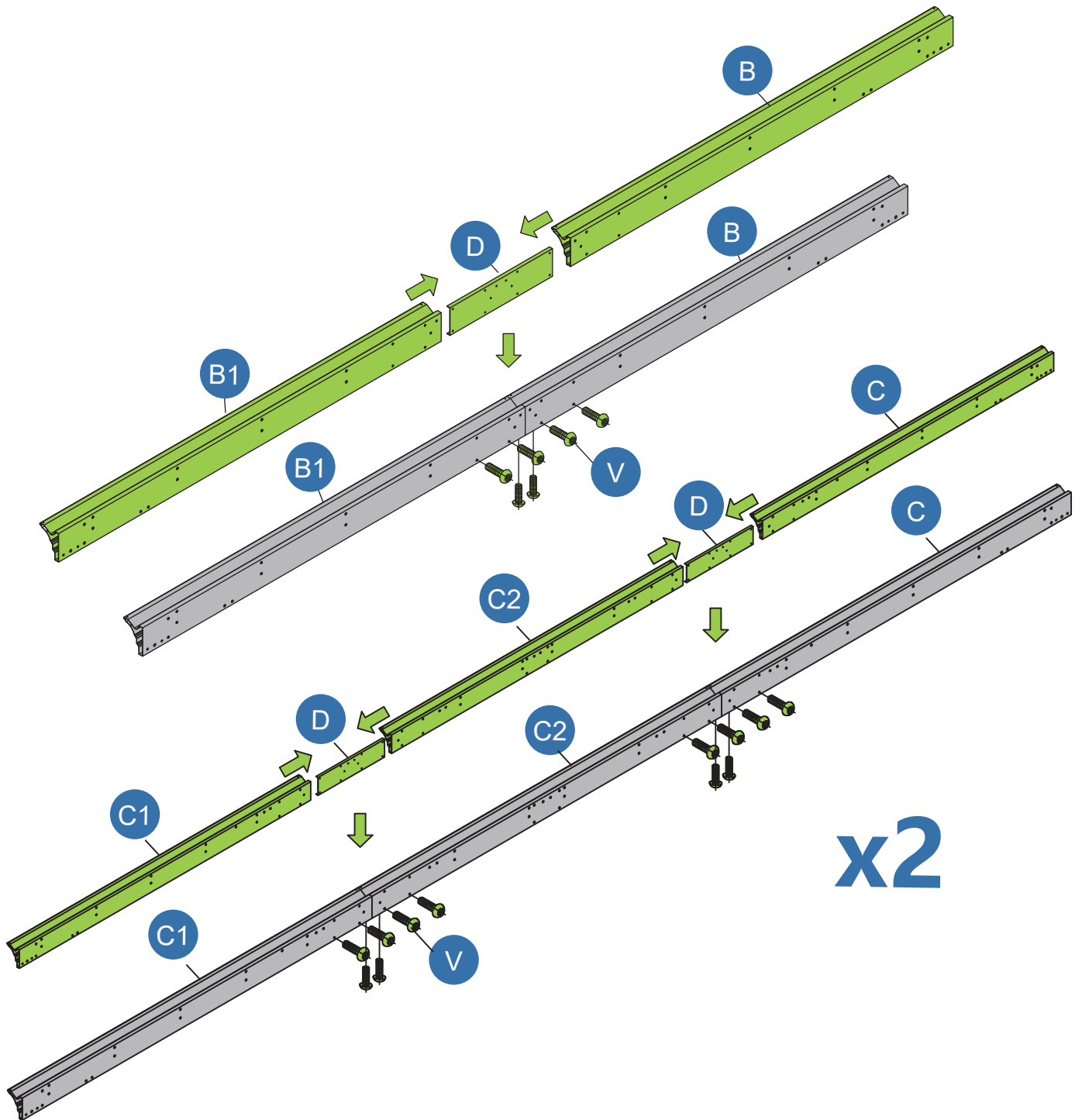
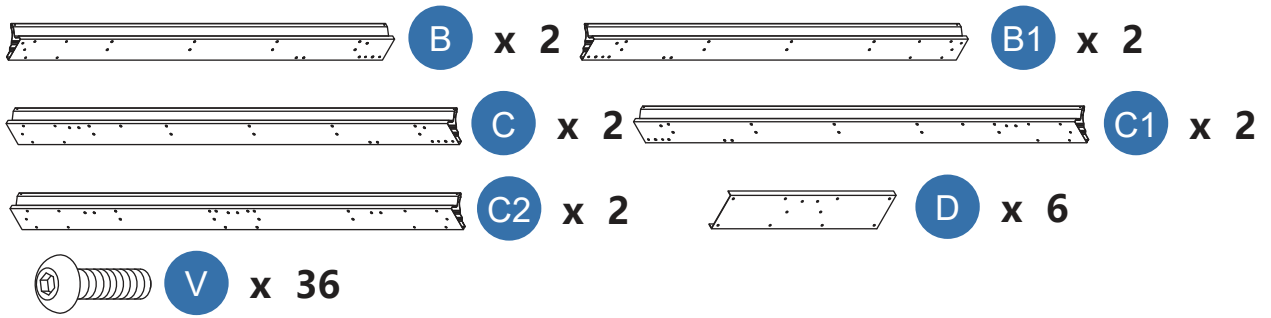


V x 6



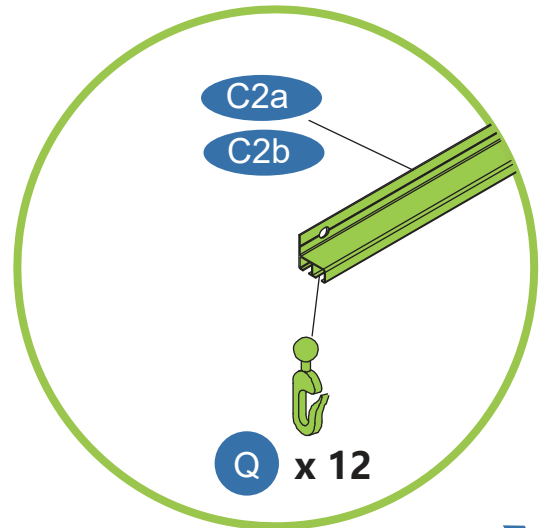
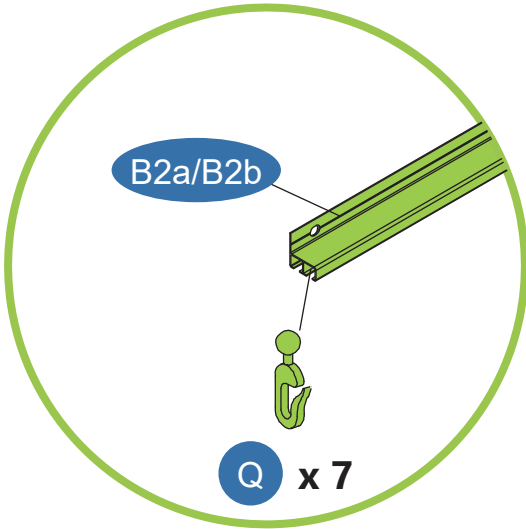
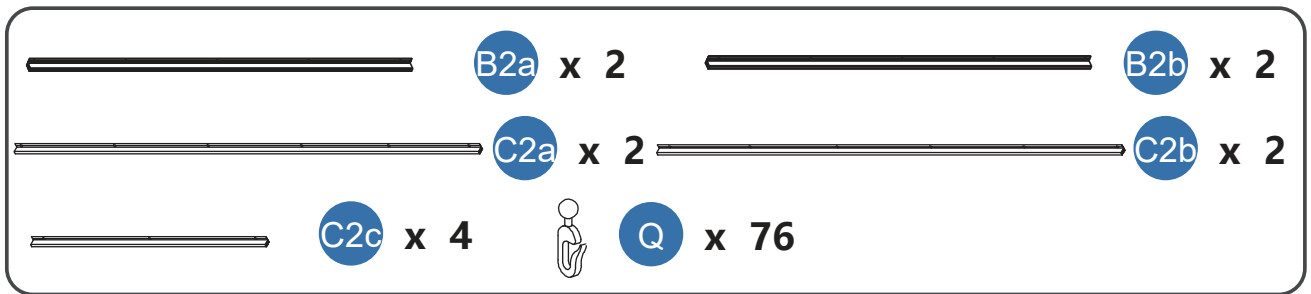
Attach part "M" to the bottom of part "A1" and secure it with three "V" screws.
Note: Repeat the above steps for the remaining sections.

4

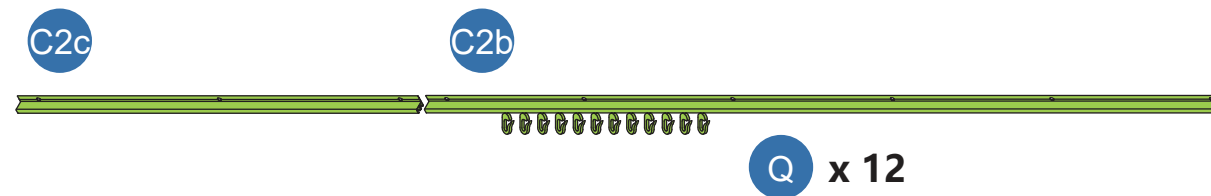
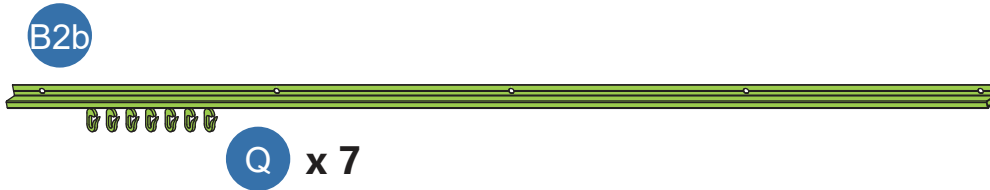
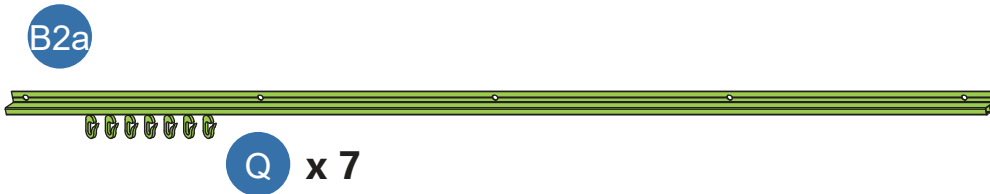


As shown in the diagram, use 6 "V" screws to connect B1/D/B, and 12 "V" screws to connect C1/D/C2/D/C.
Note: Before installation, ensure all screw holes are properly aligned. Repeat the steps above to assemble the remaining parts.

5



x2

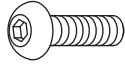


Insert hooks "Q" in the quantity shown. Note: Insert the hooks into the outer track.

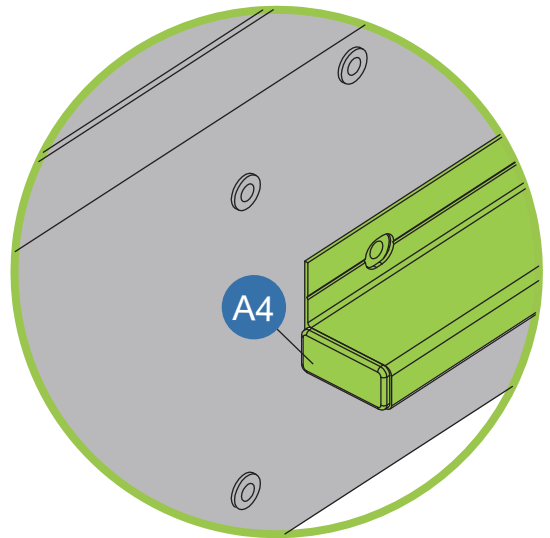
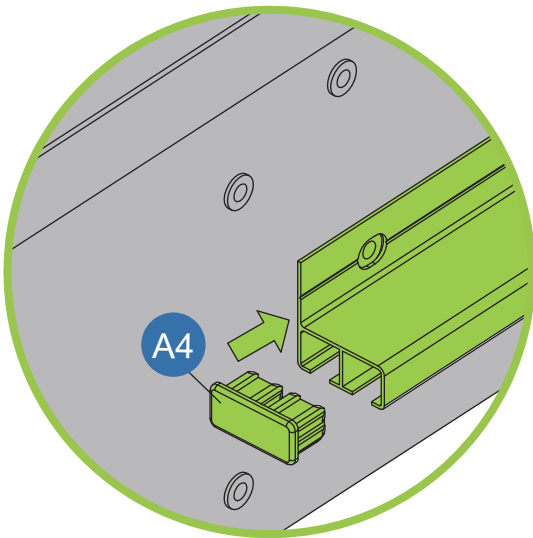
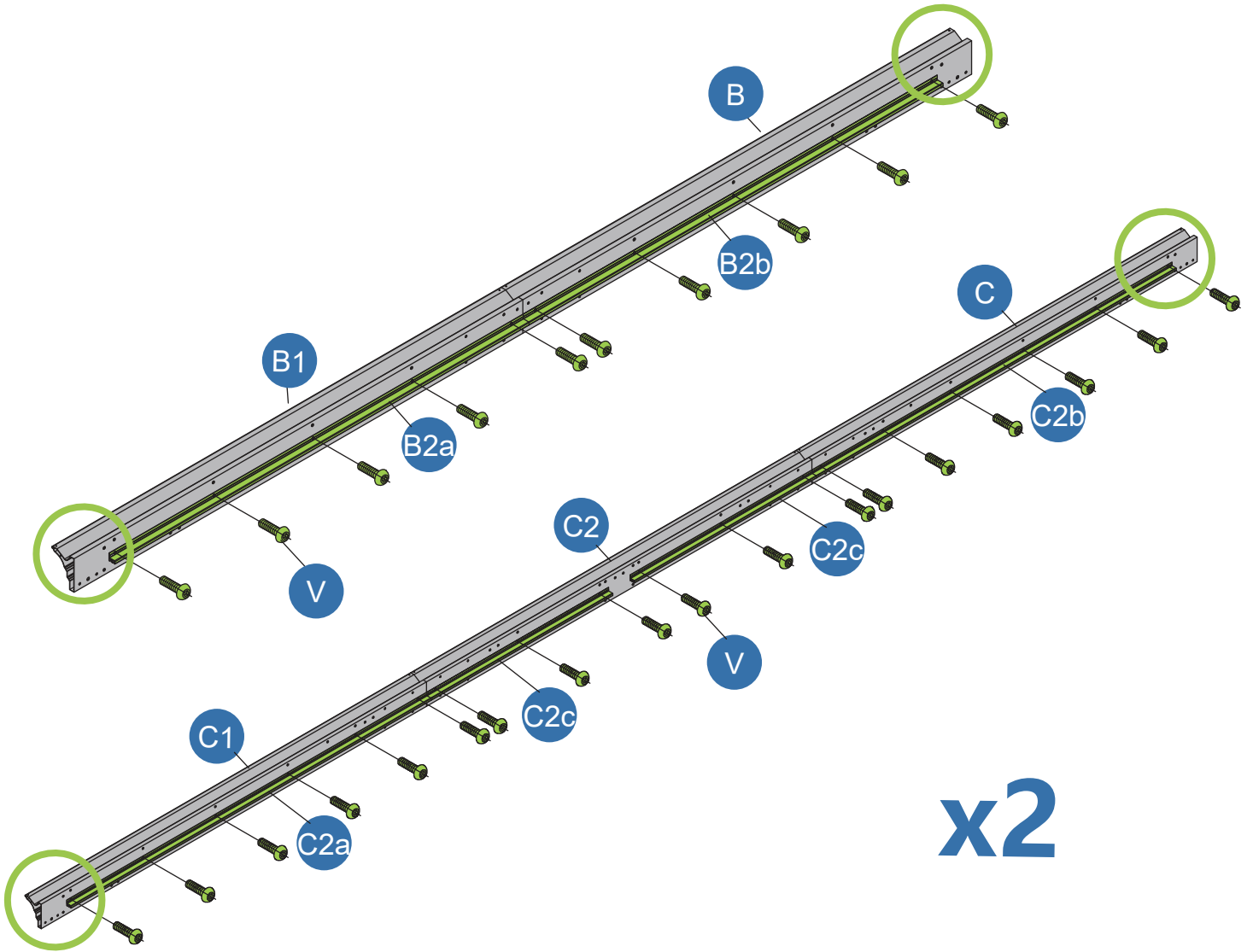
6

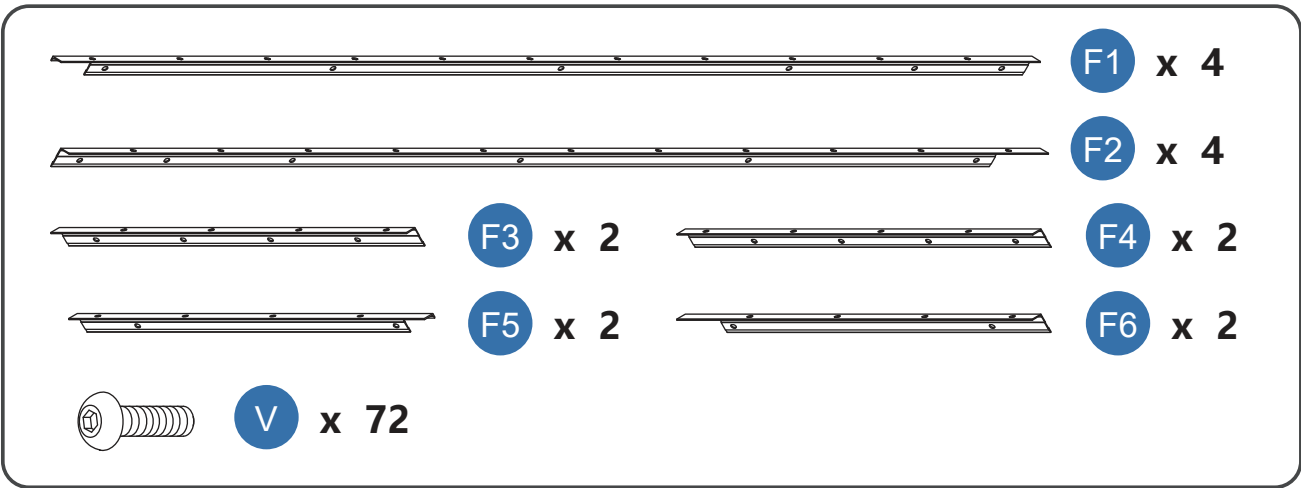


A4 x 8



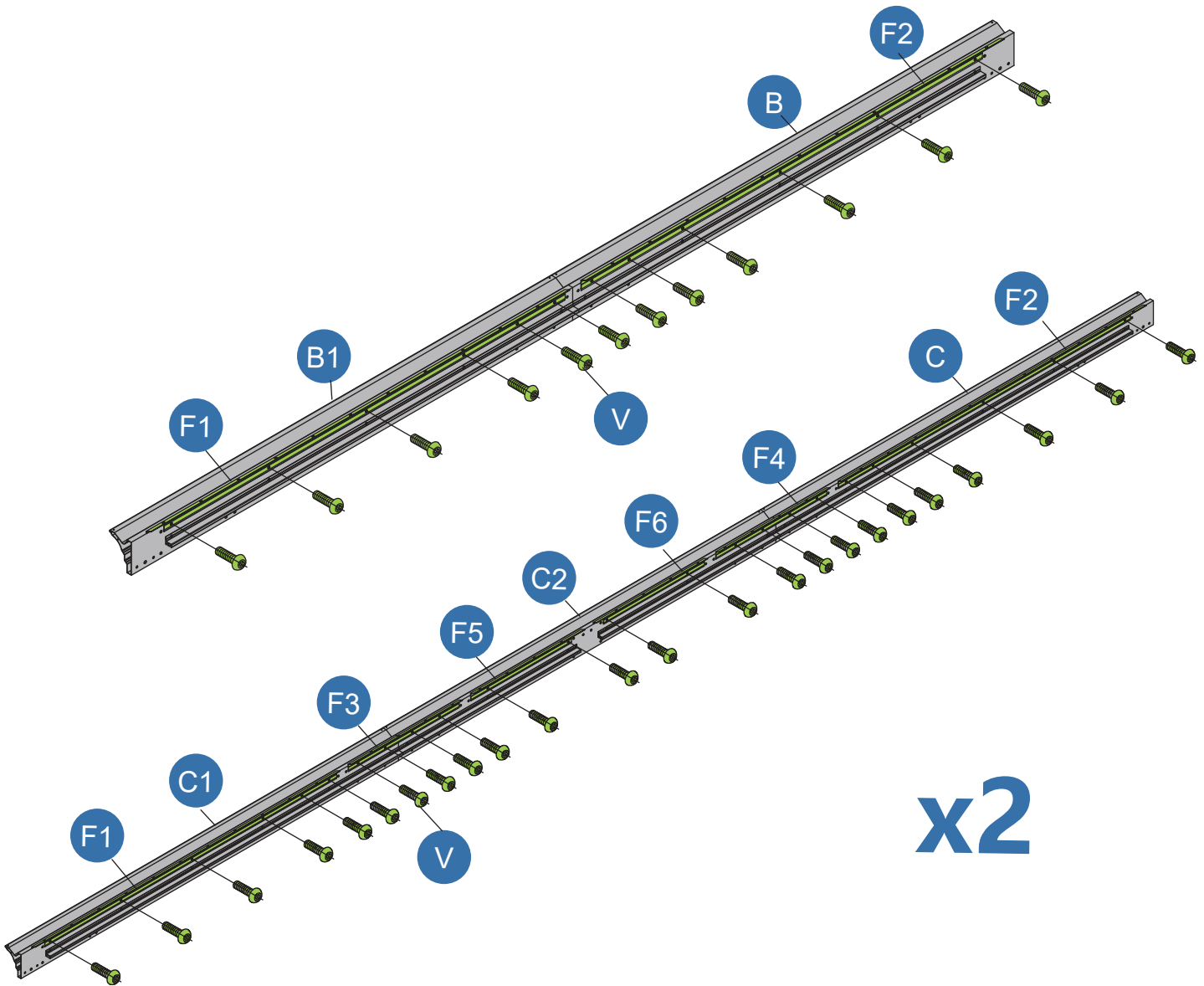
V x 56



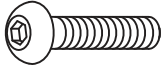


Parts list for step 7:

- F1 x 4
- F2 x 4
- F3 x 2
- F4 x 2
- F5 x 2
- F6 x 2
- V x 72



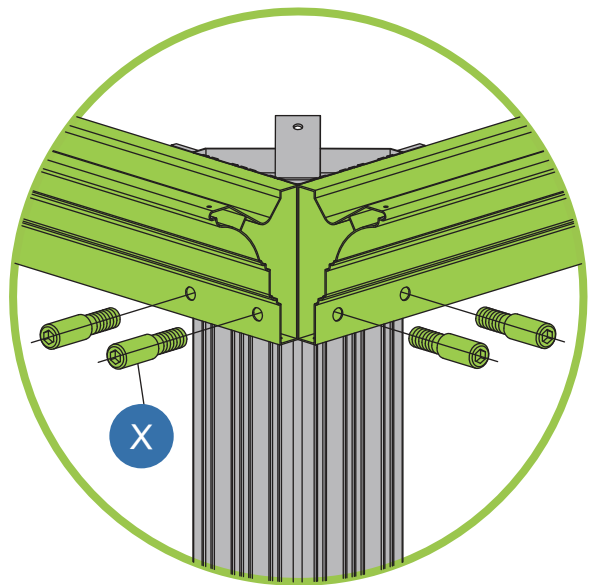
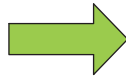
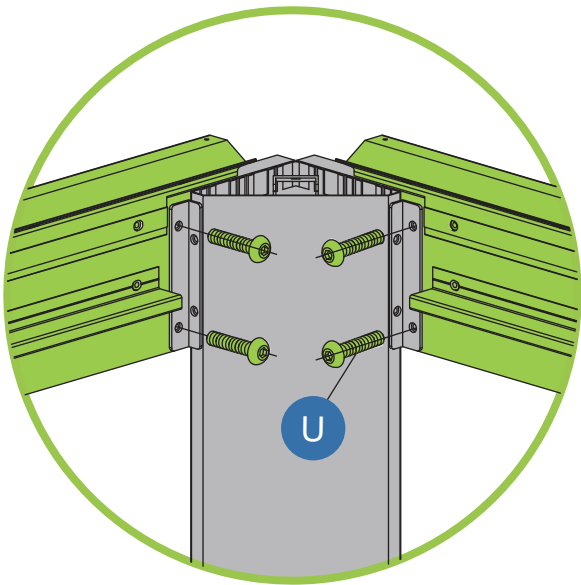
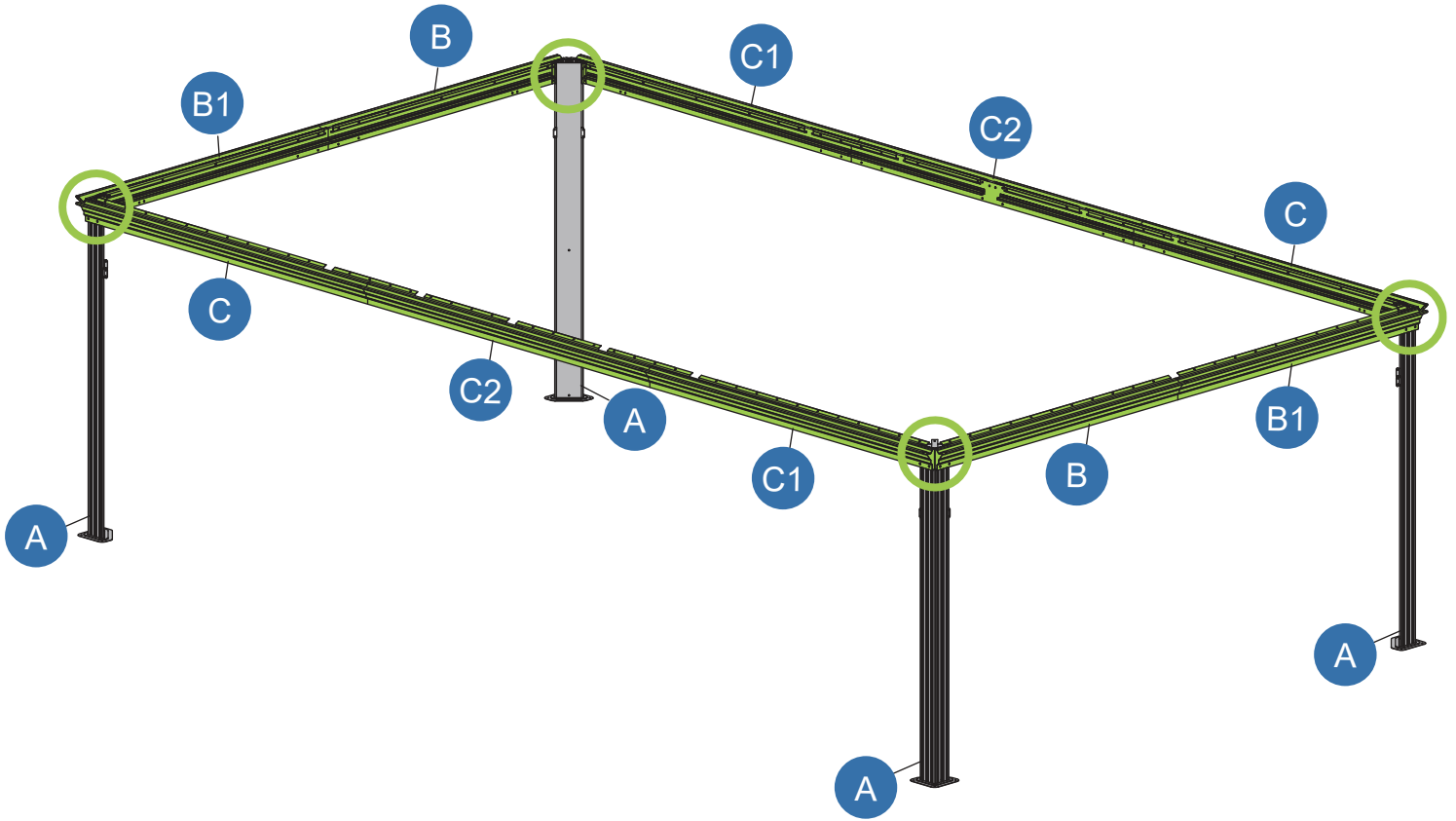
8



U x 16



X x 16



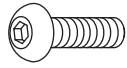
9



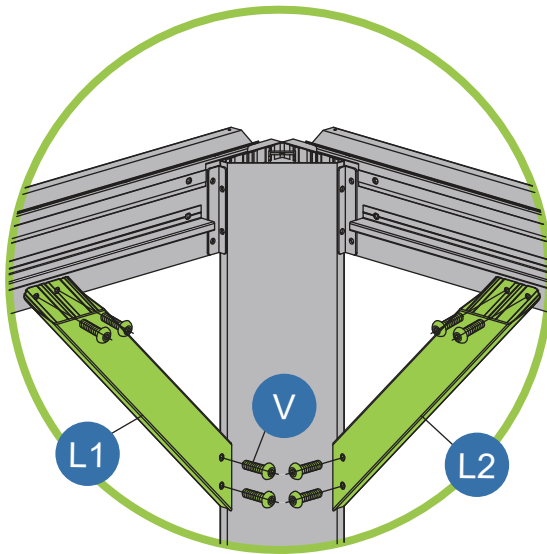
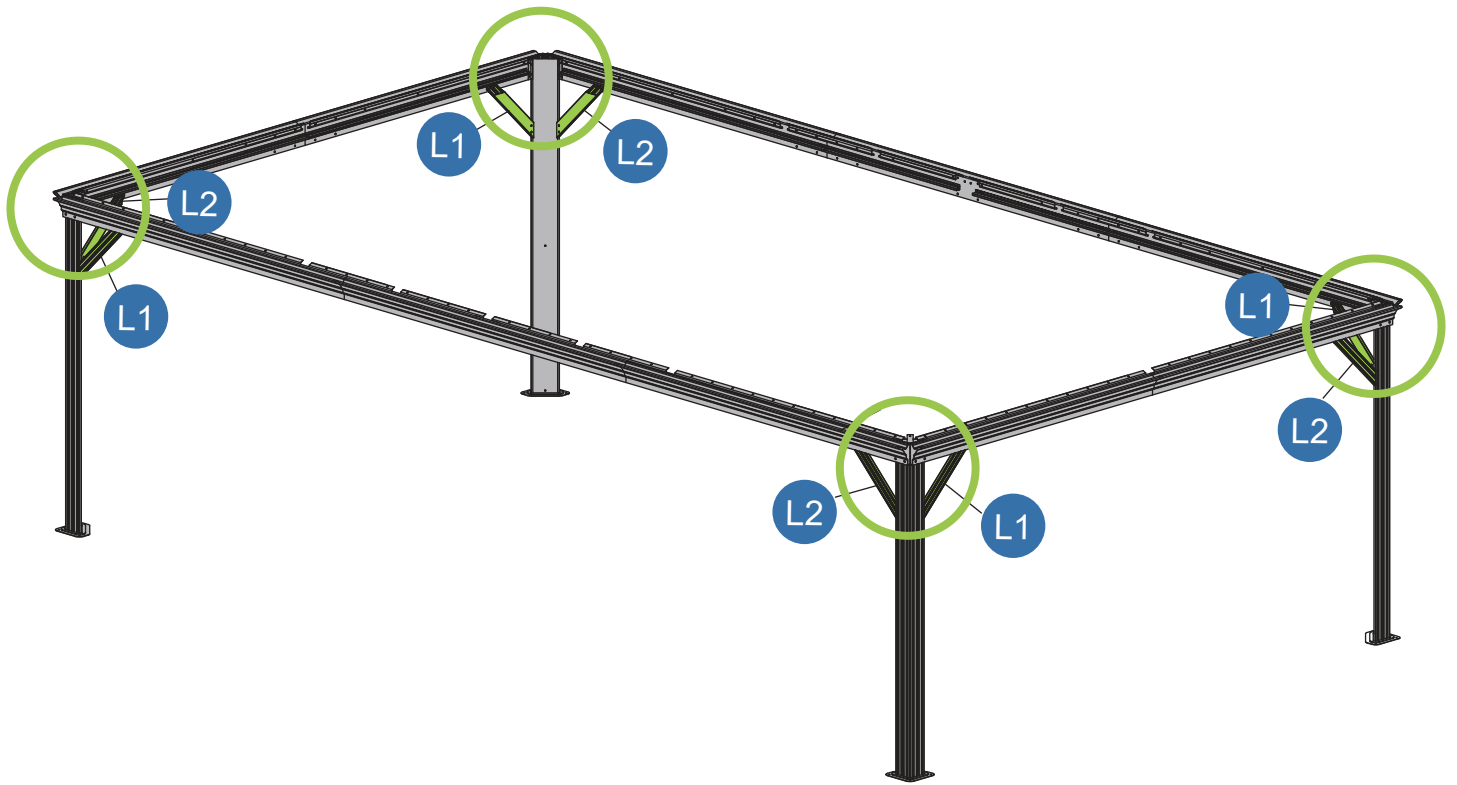
L1 x 4



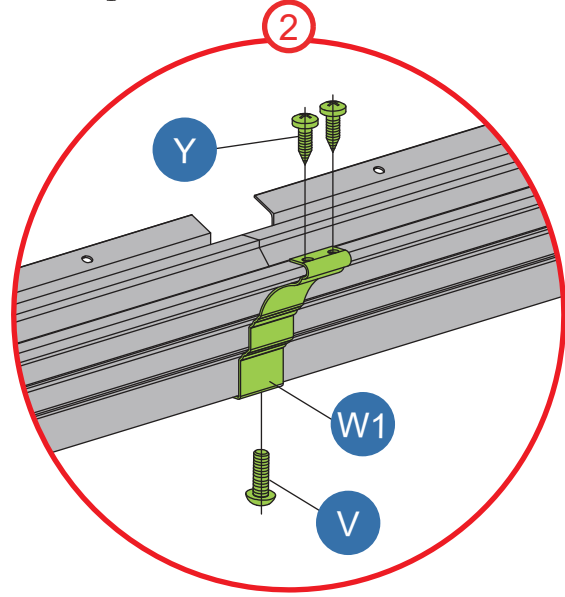
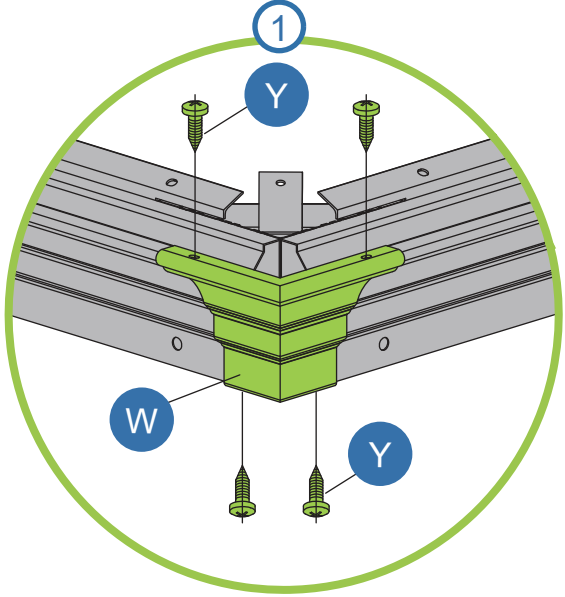
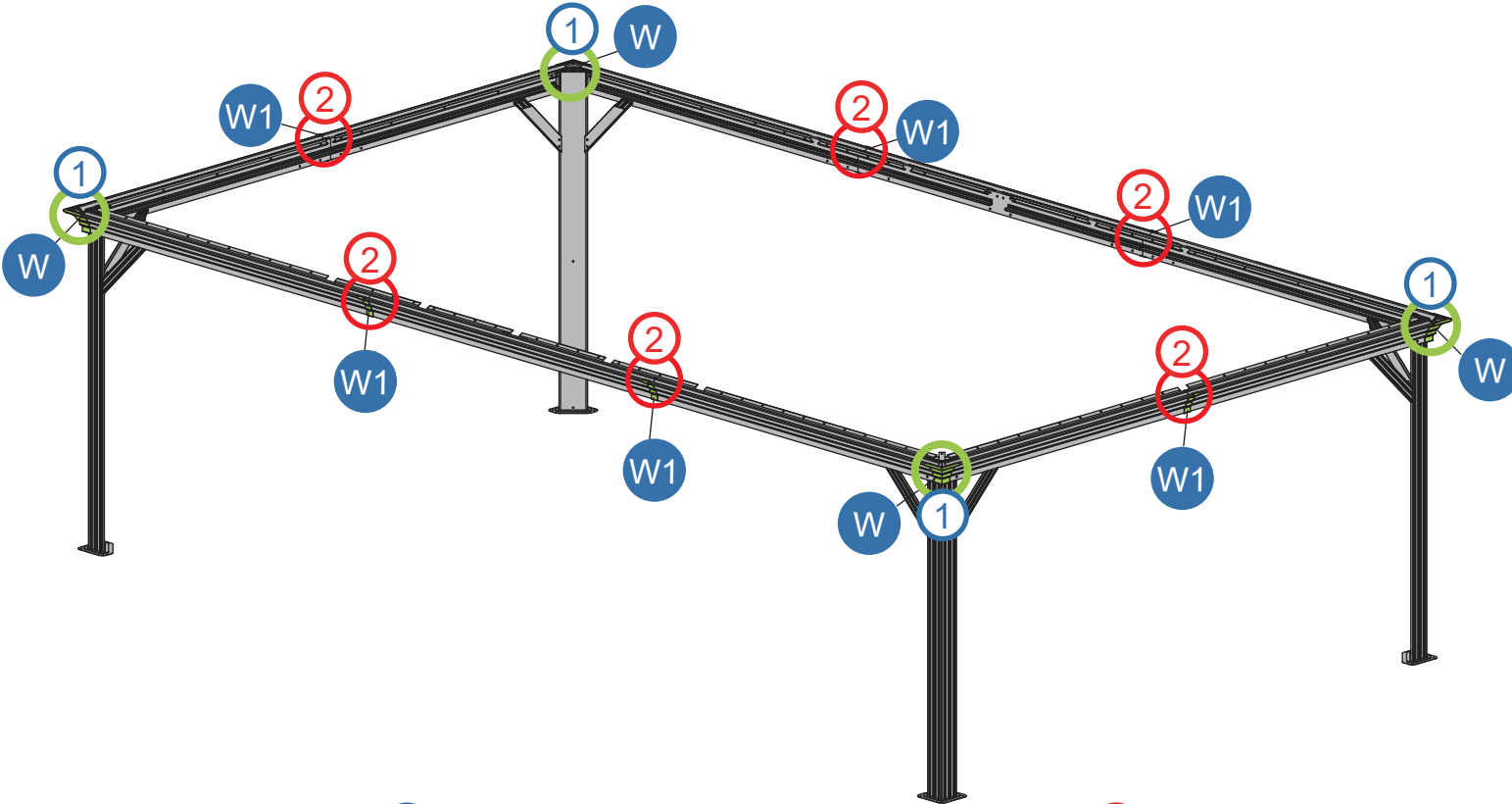
L2 x 4



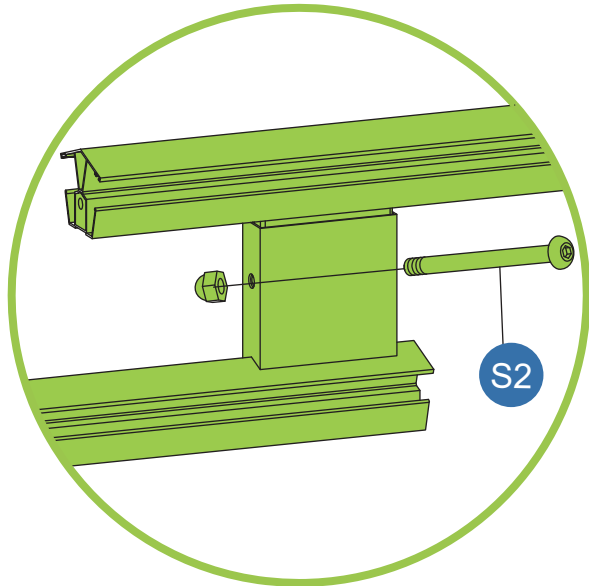
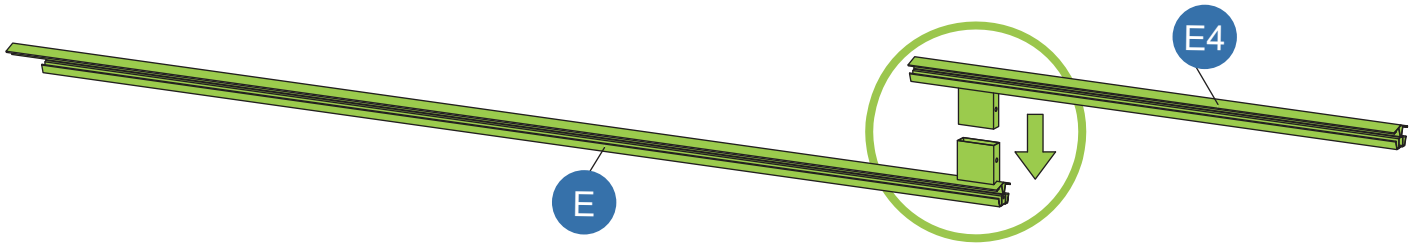
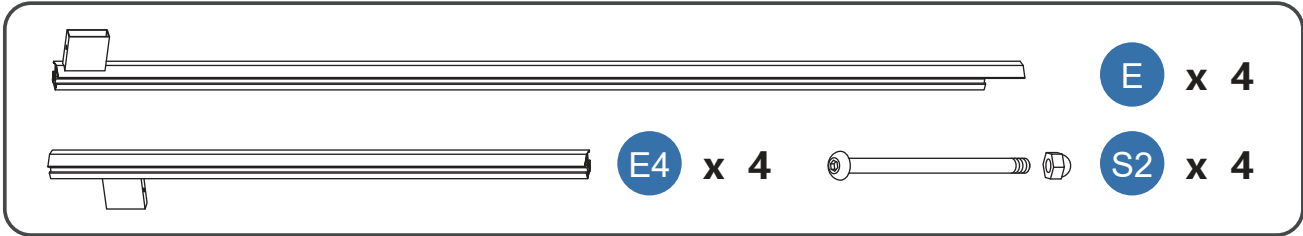
V x 32



W x 4 W1 x 6 Y x 28 V x 6

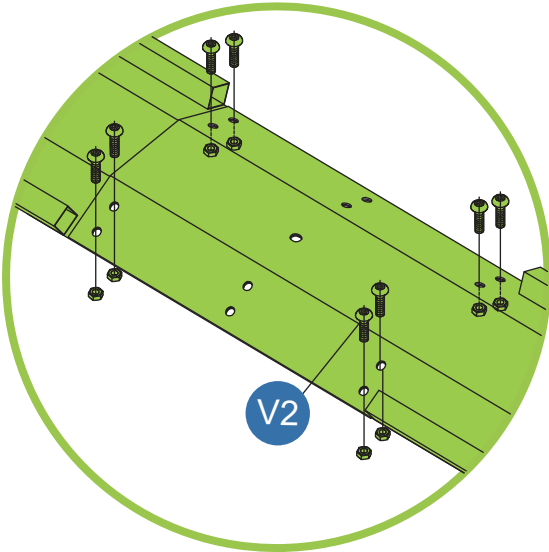
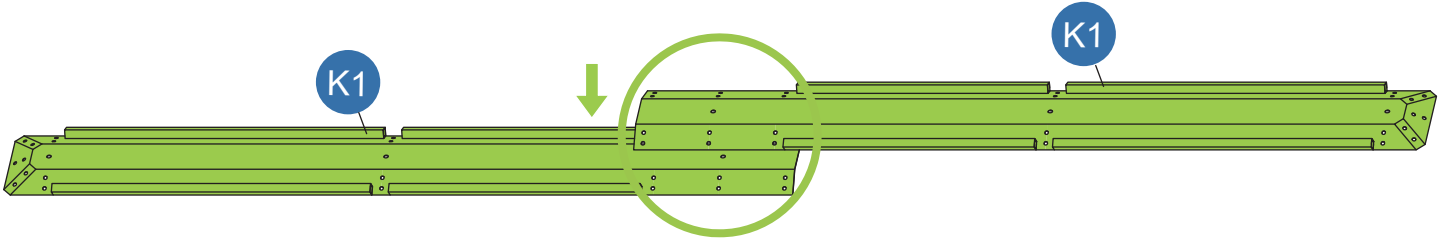
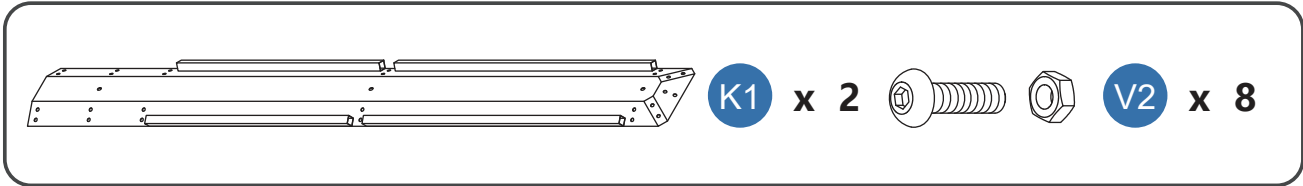


11



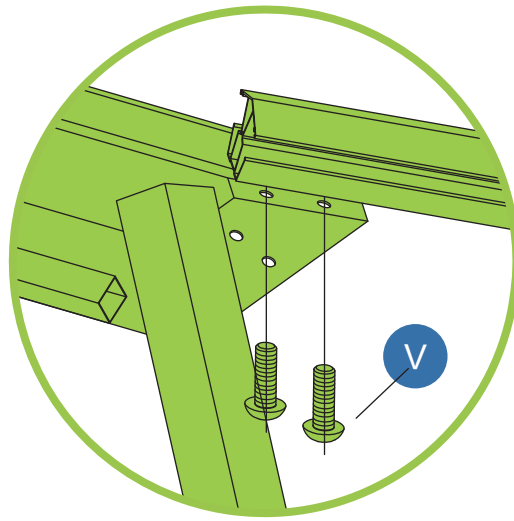
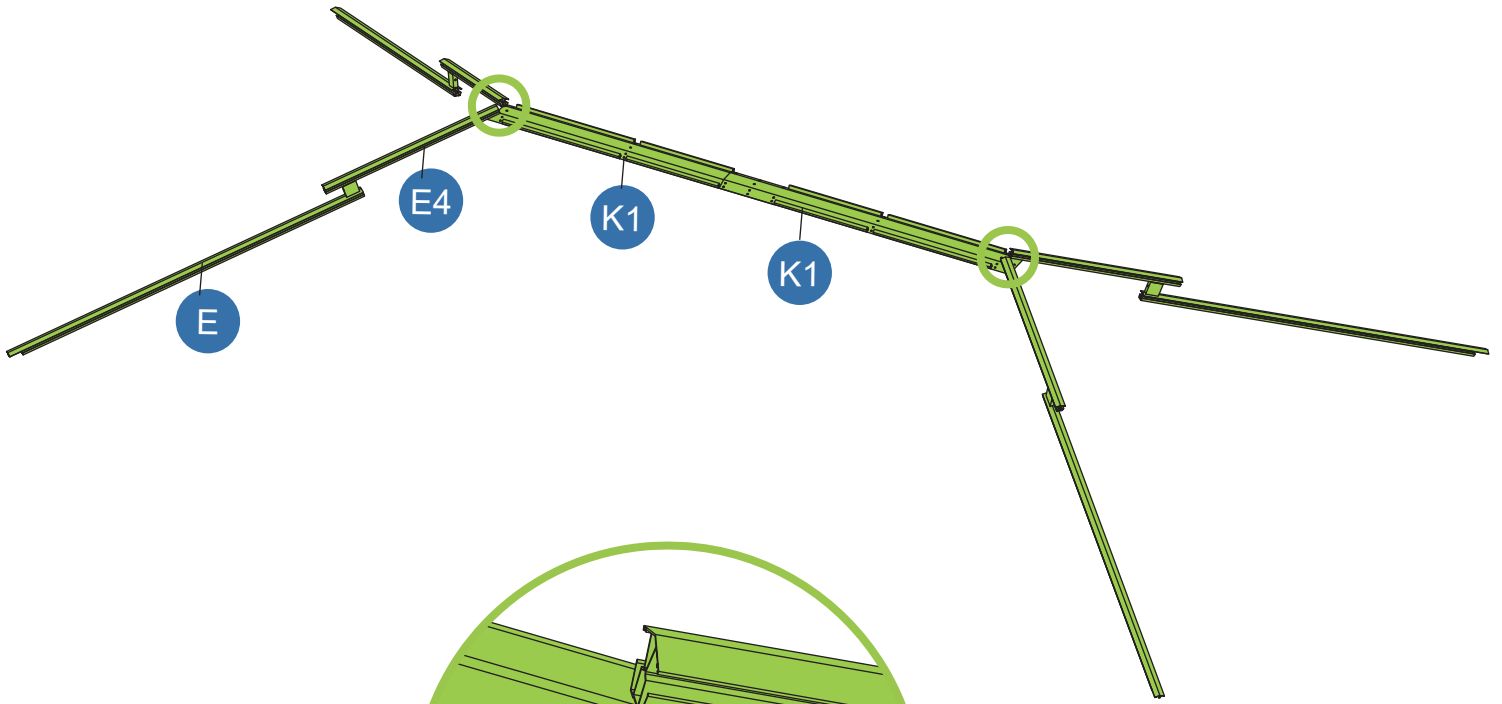
x4

12



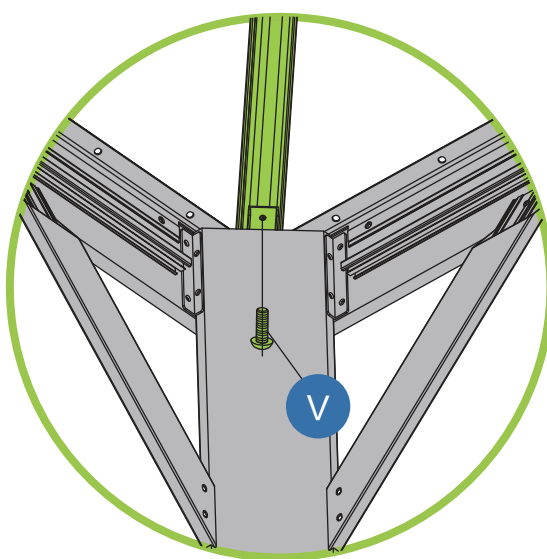
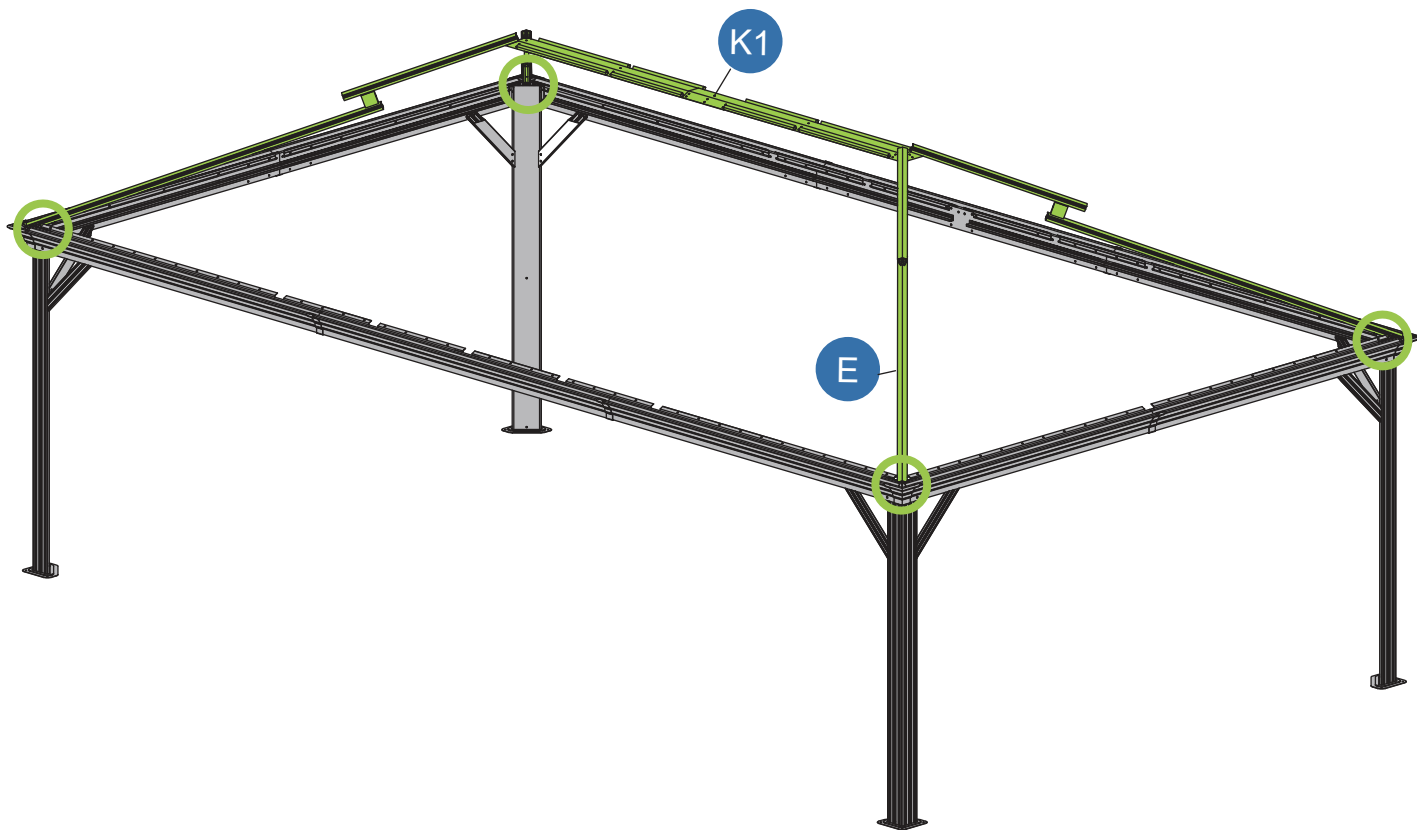
13

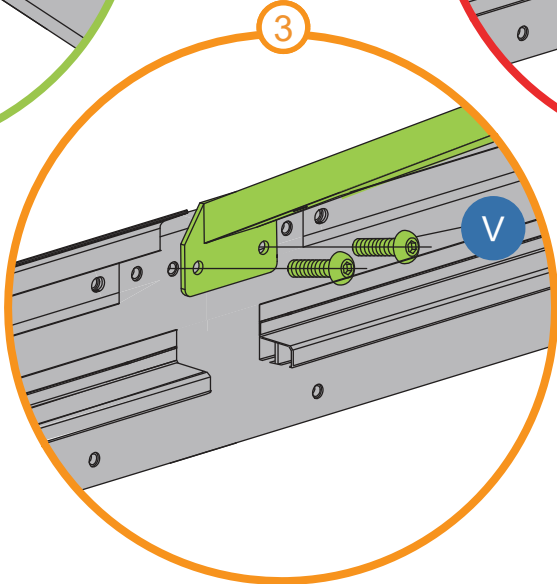
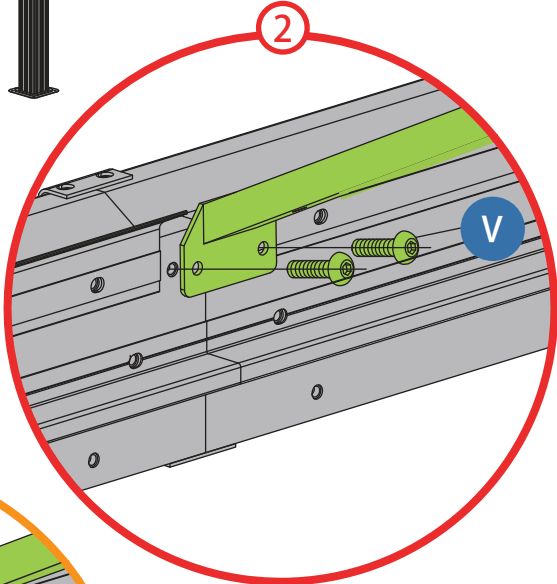
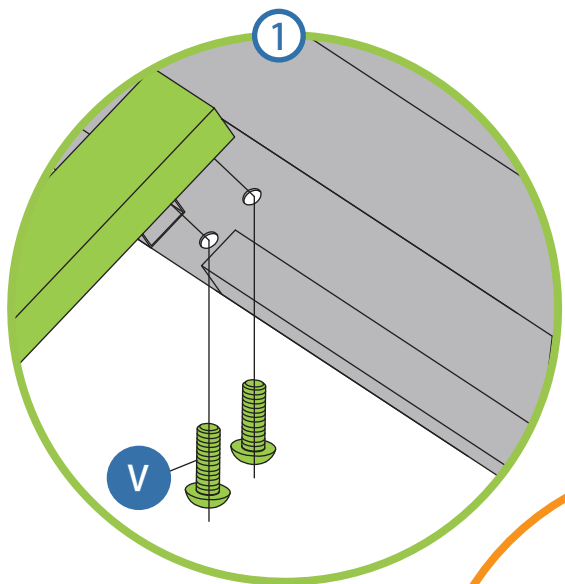
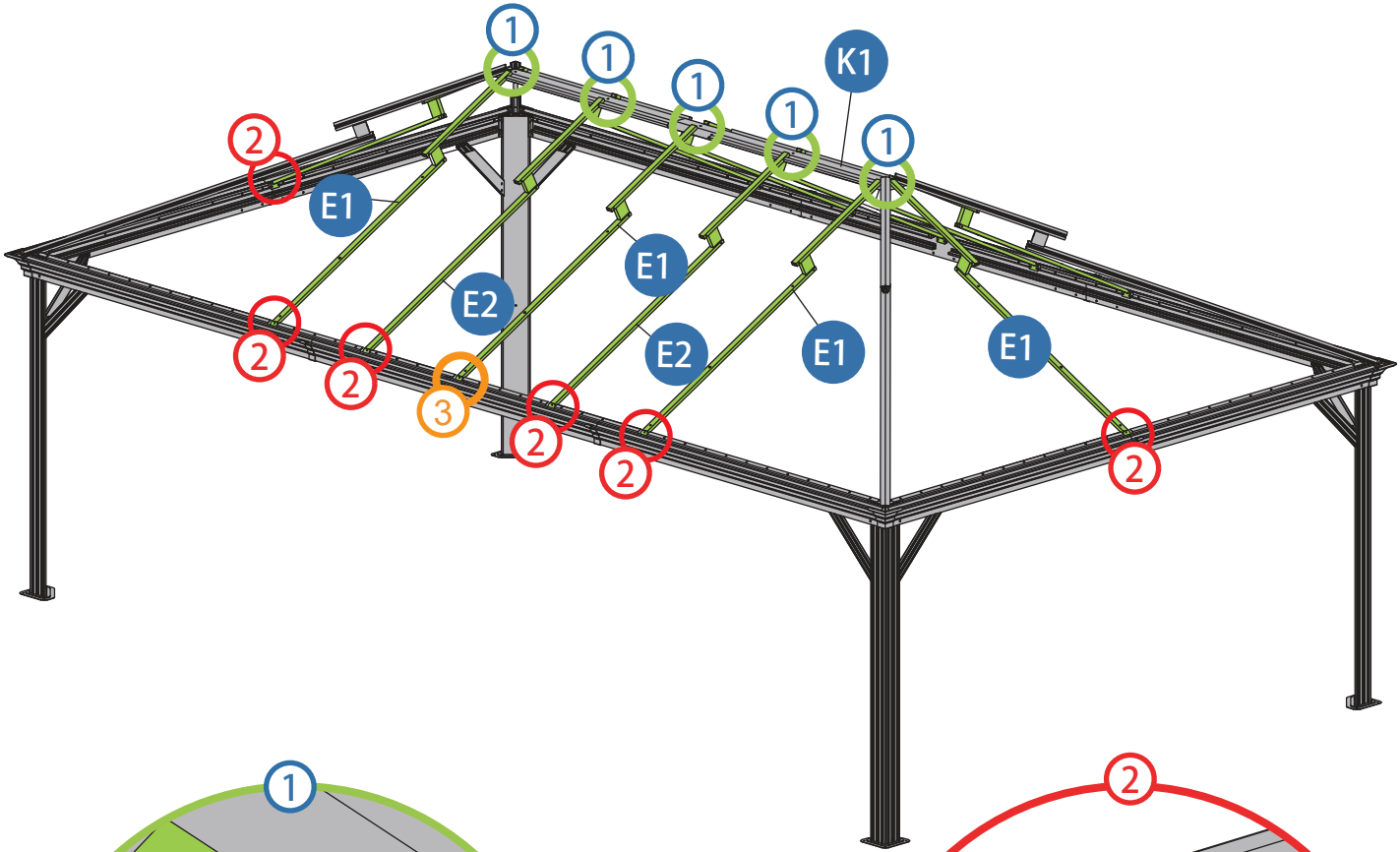
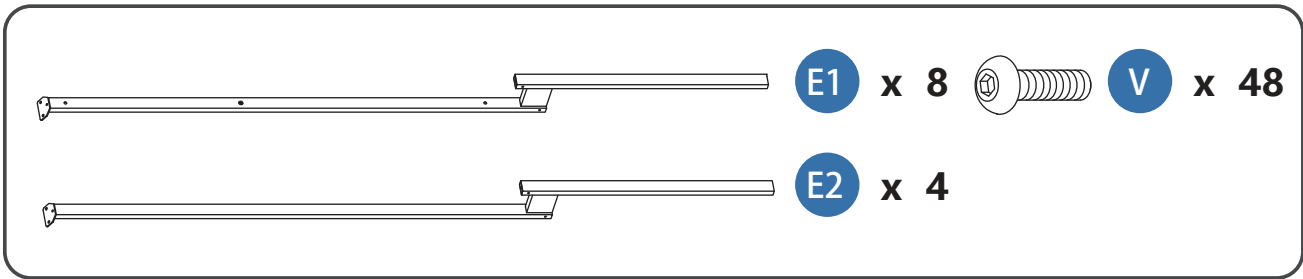
 **V** x 8



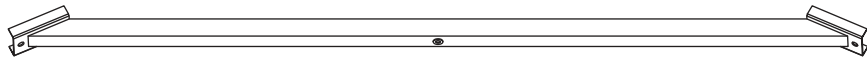
14

 V x 4





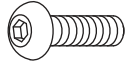
16



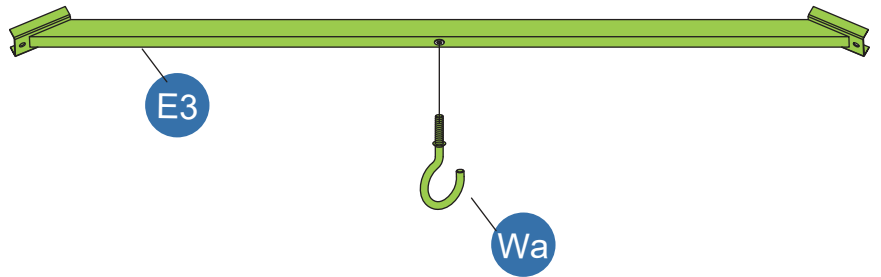
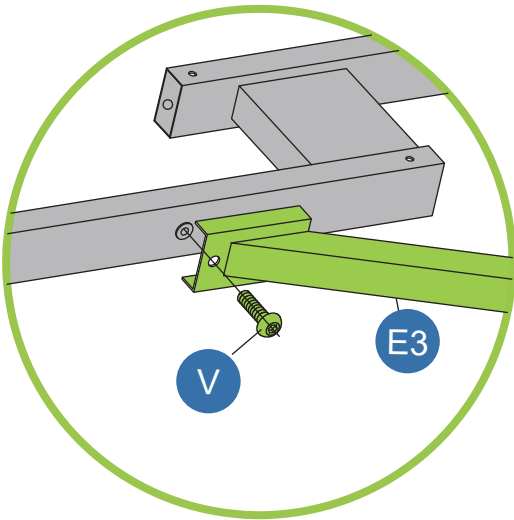
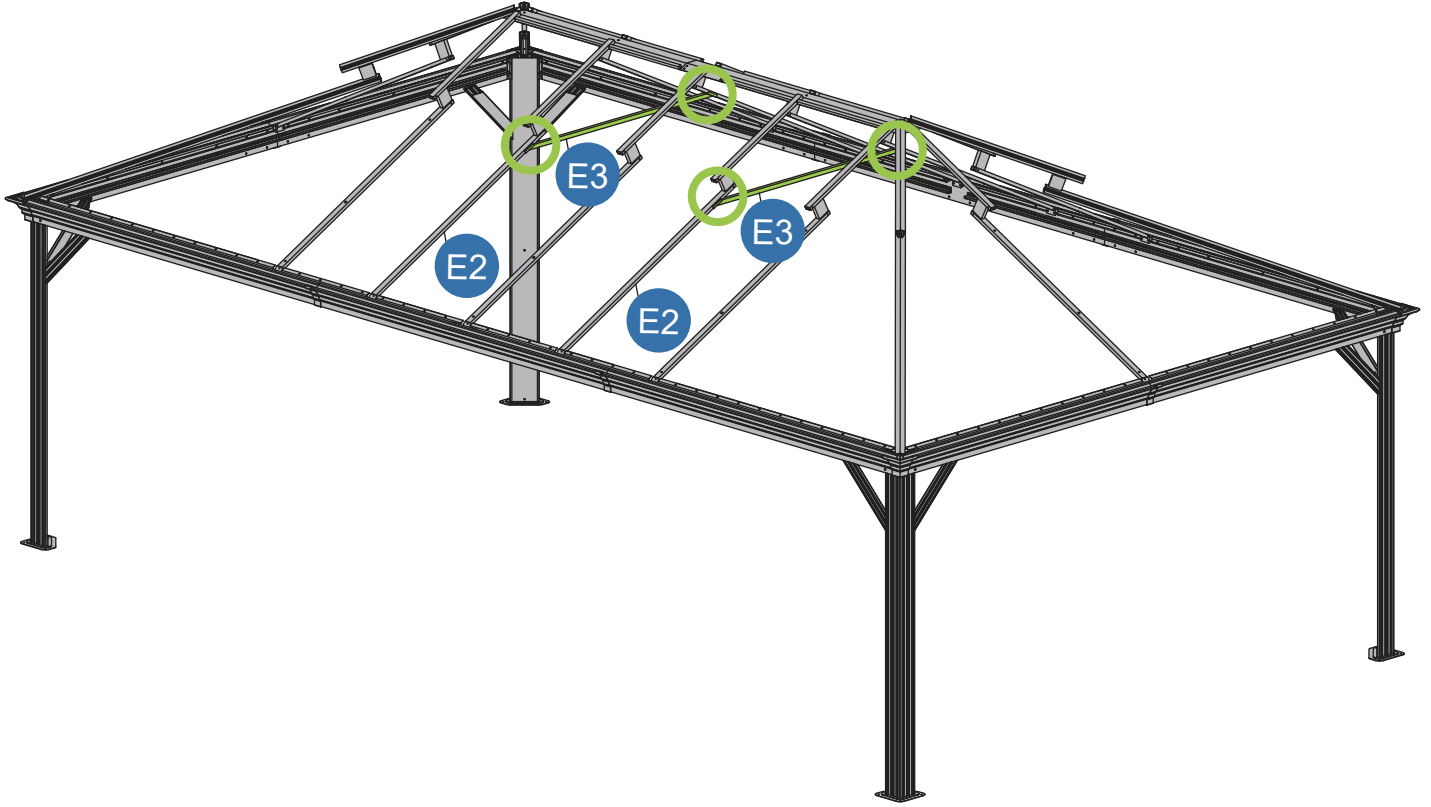
E3 x 2

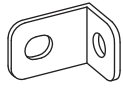


Wa x 2

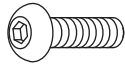


V x 4

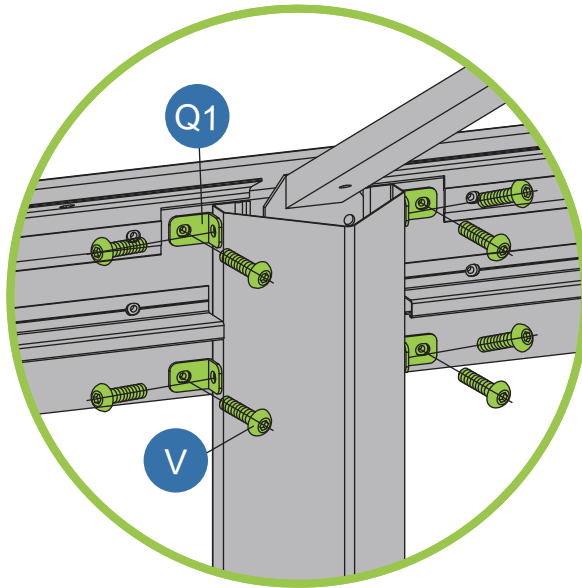


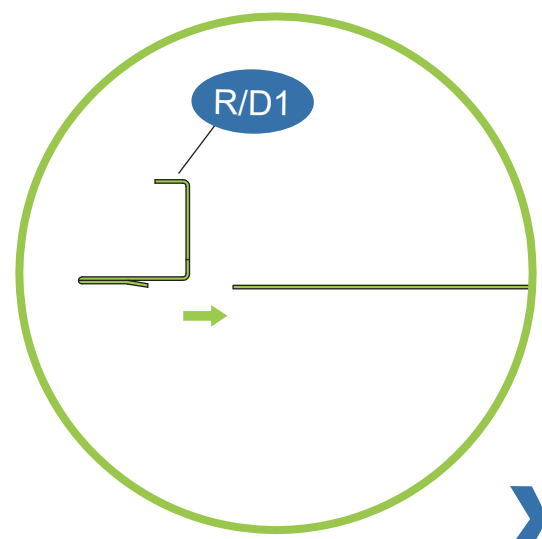
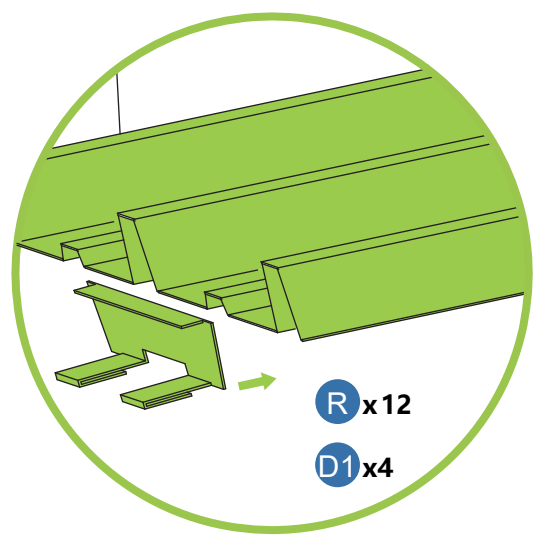
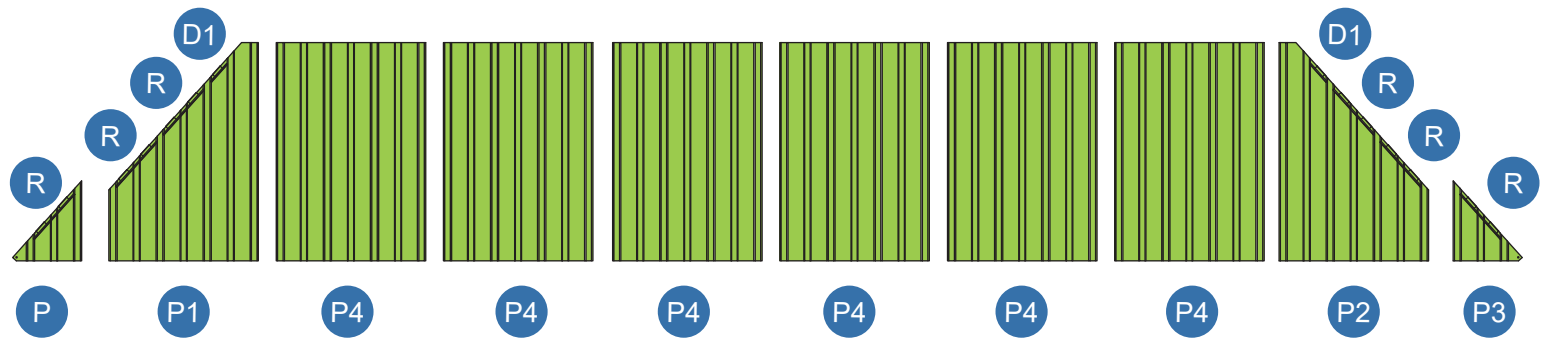
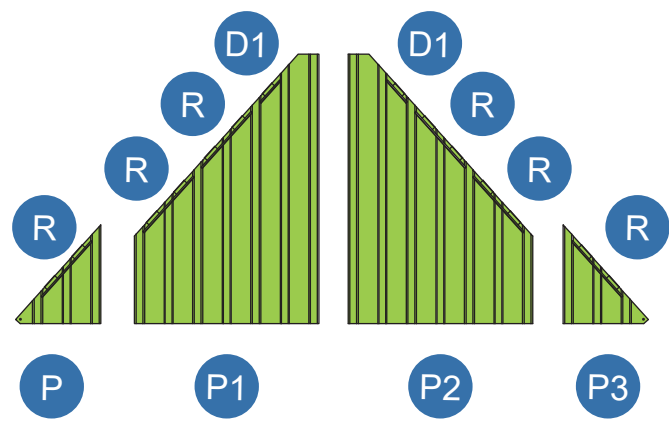
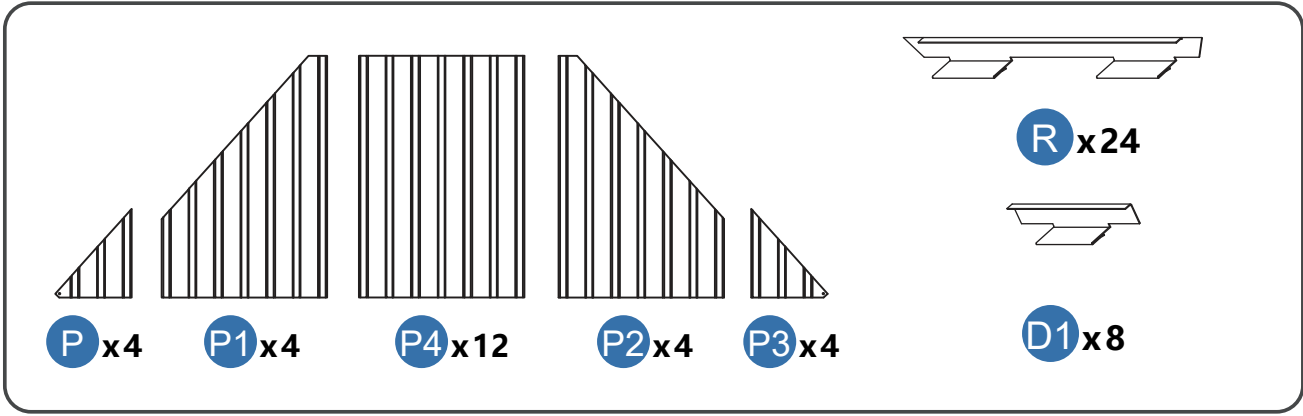


Q1 x 8



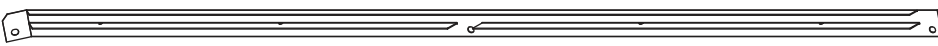
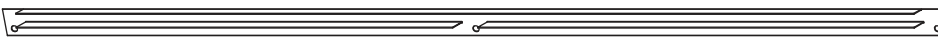
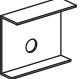

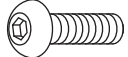


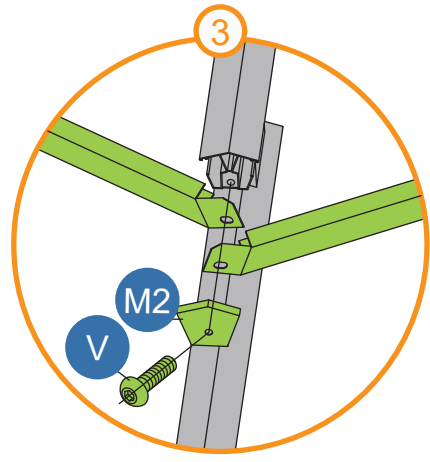
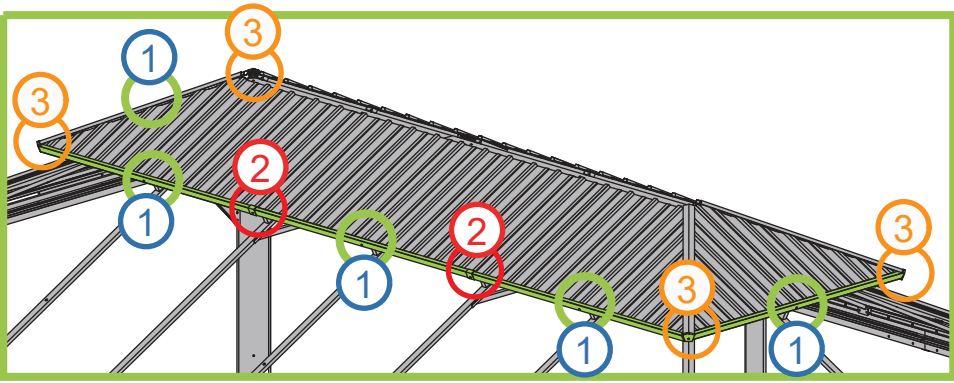
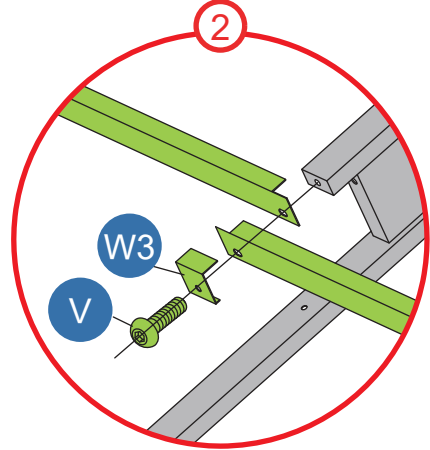
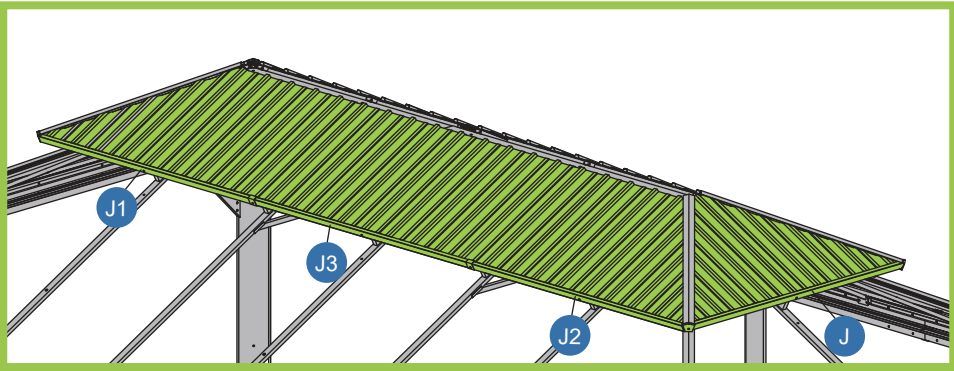
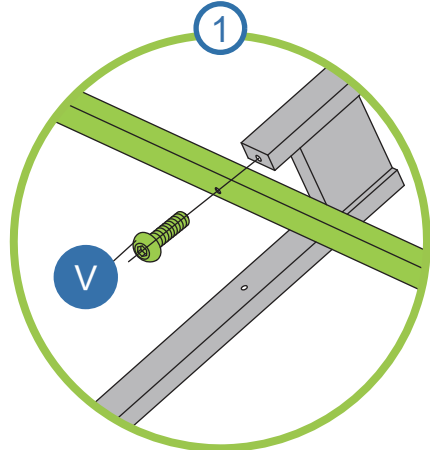
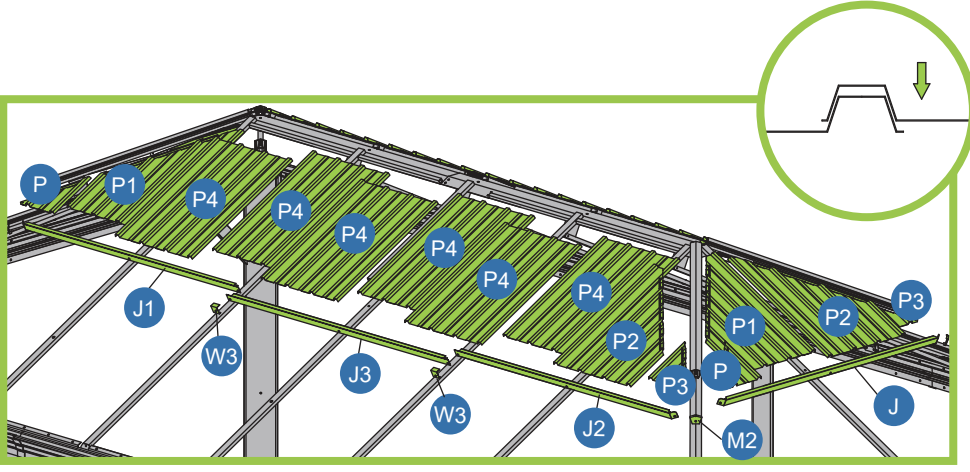
V x 16





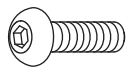

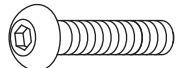


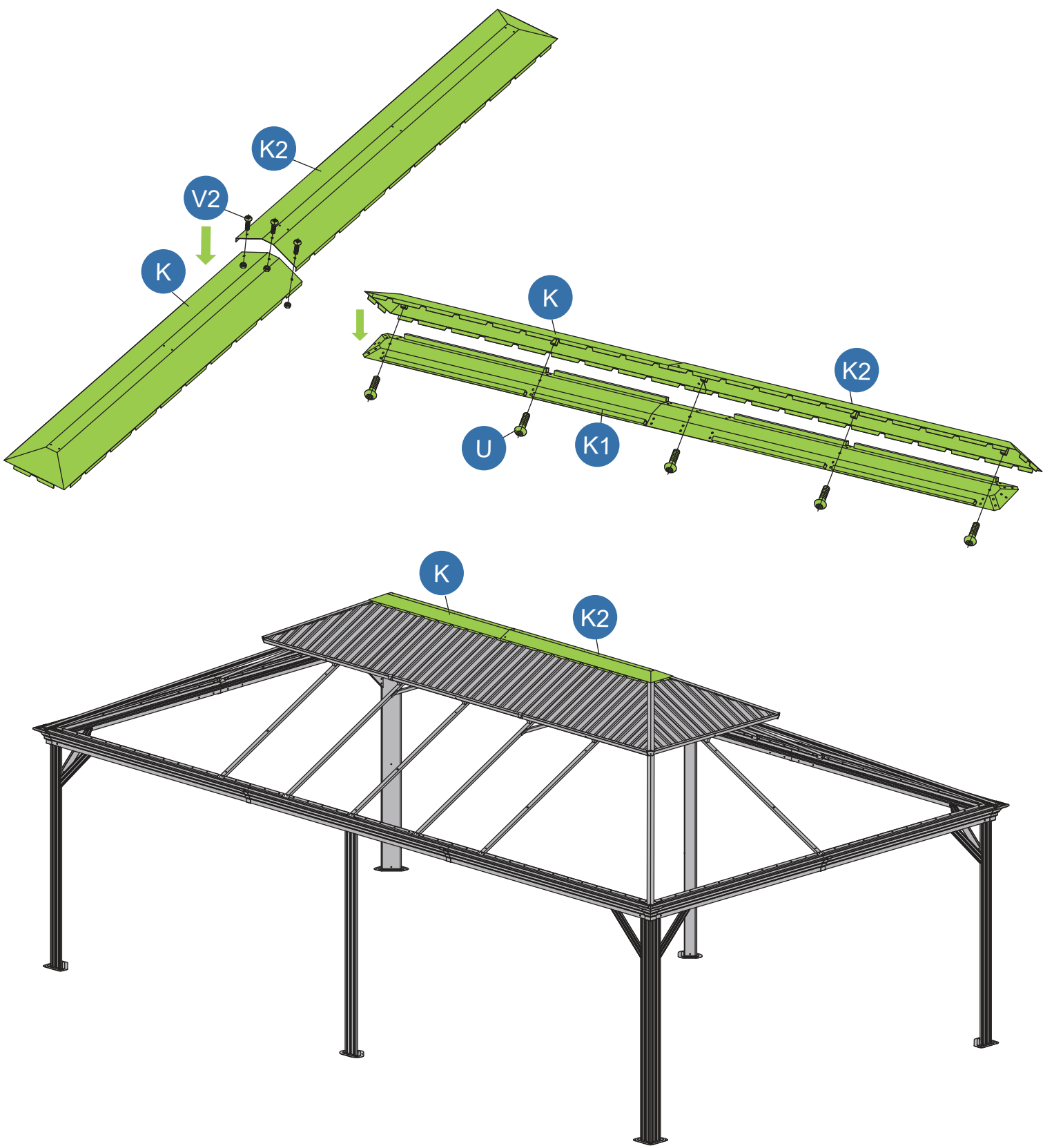
x2

	J x 2				
	J1 x 2				
	J2 x 2				
	J3 x 2				
	W3 x 4		M2 x 4		V x 16

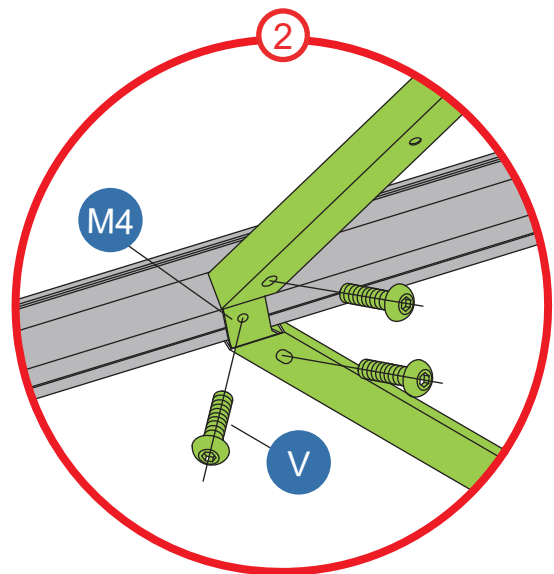
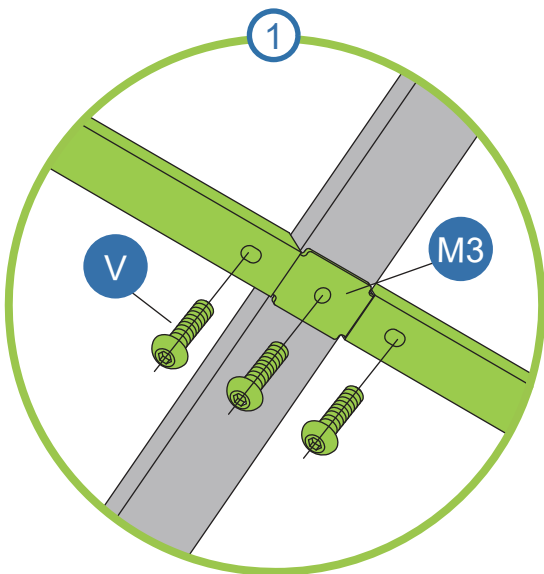
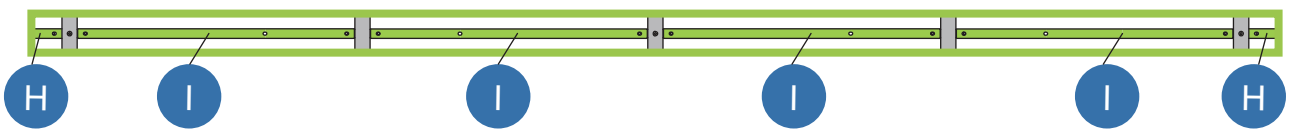
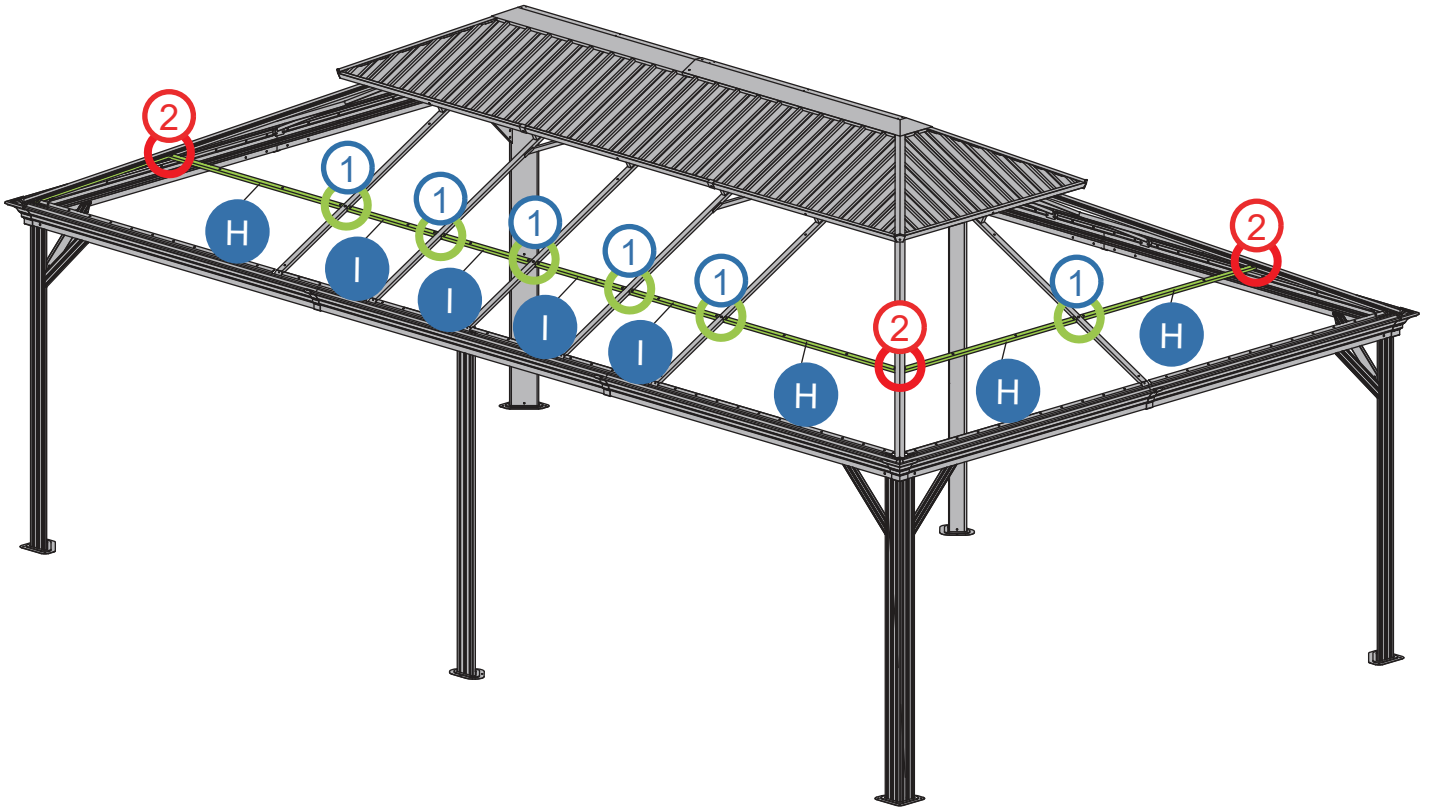
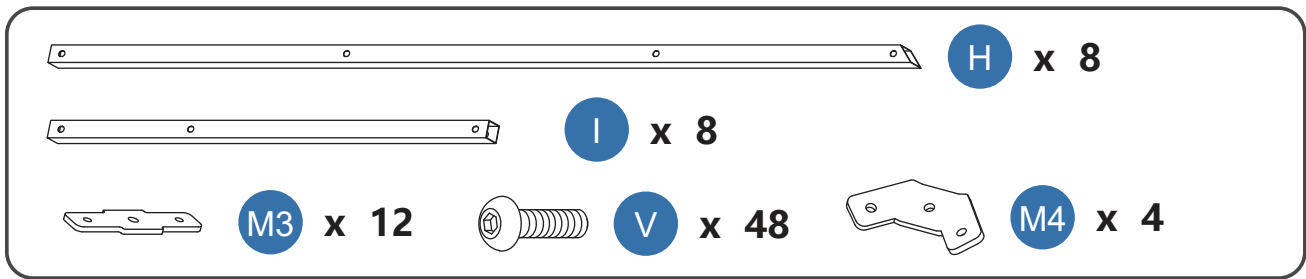


When installing the metal panels, overlap adjacent panels as shown in the diagram. (All subsequent metal panel installations should follow this overlapping method.)

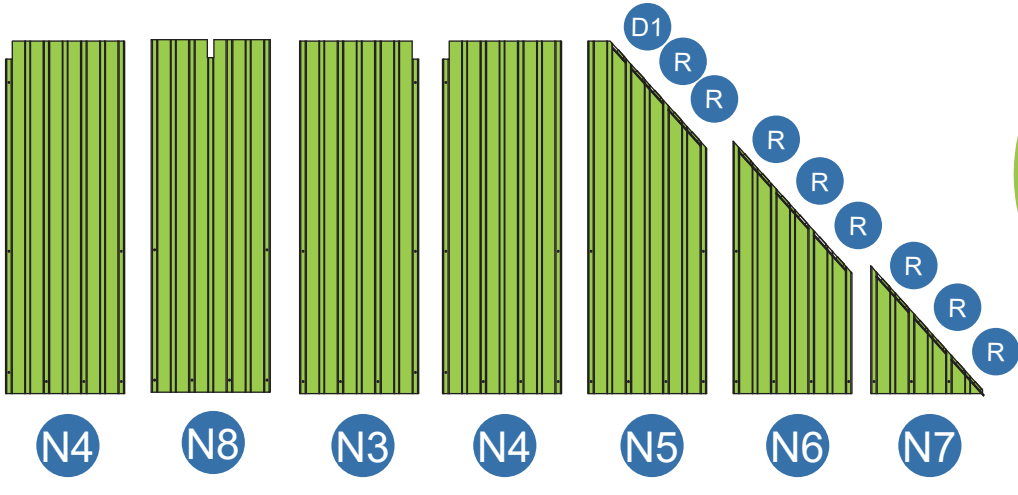
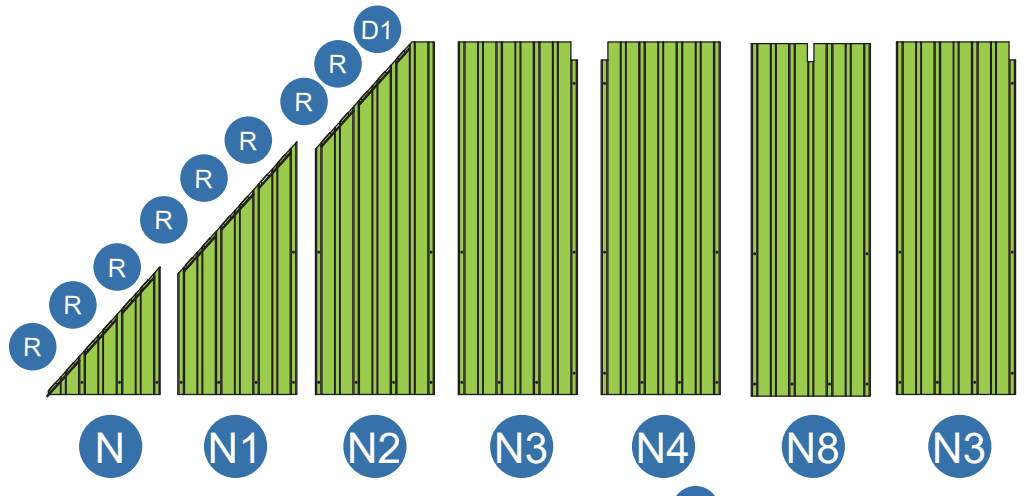
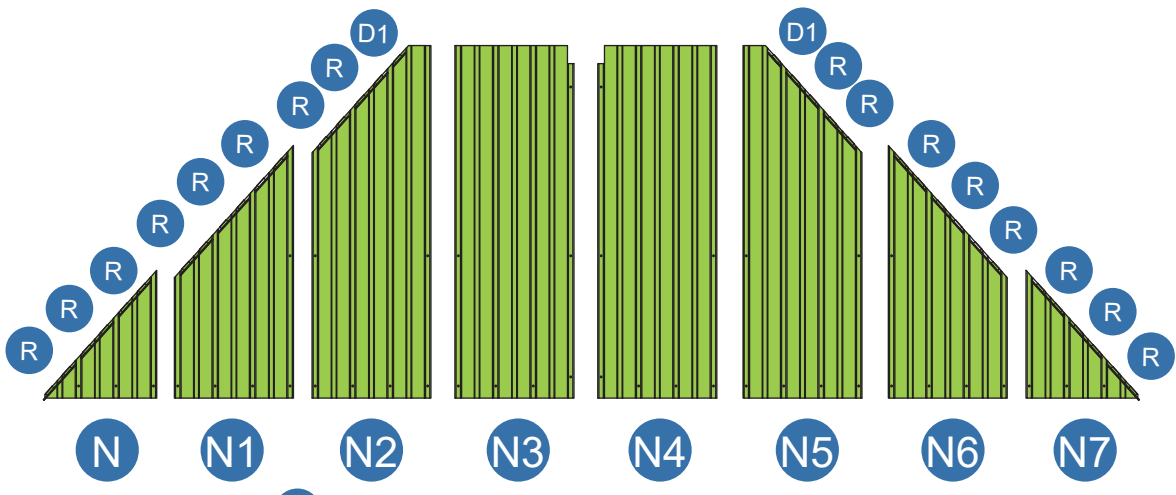
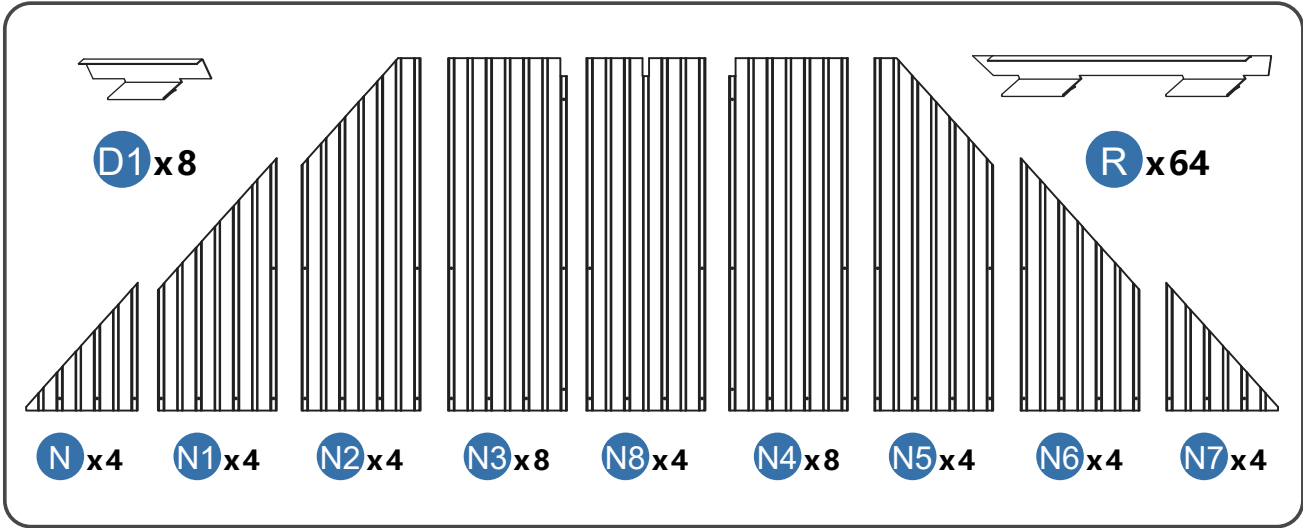
-  **K** x 1
-  **K2** x 1
-   **V2** x 3
-  **U** x 5



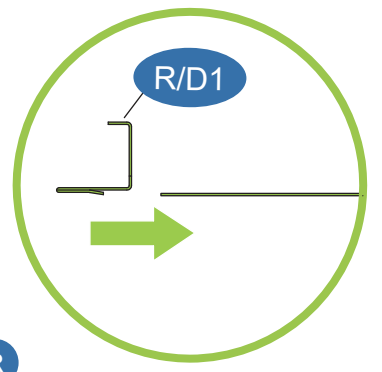
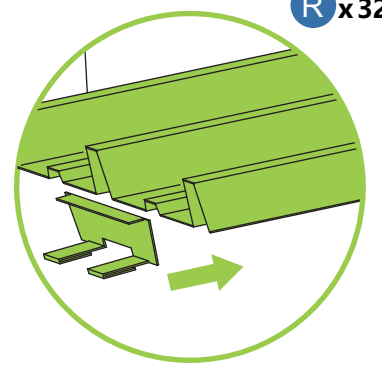
Depending on personal usage needs, "U" can be replaced with "Wa".



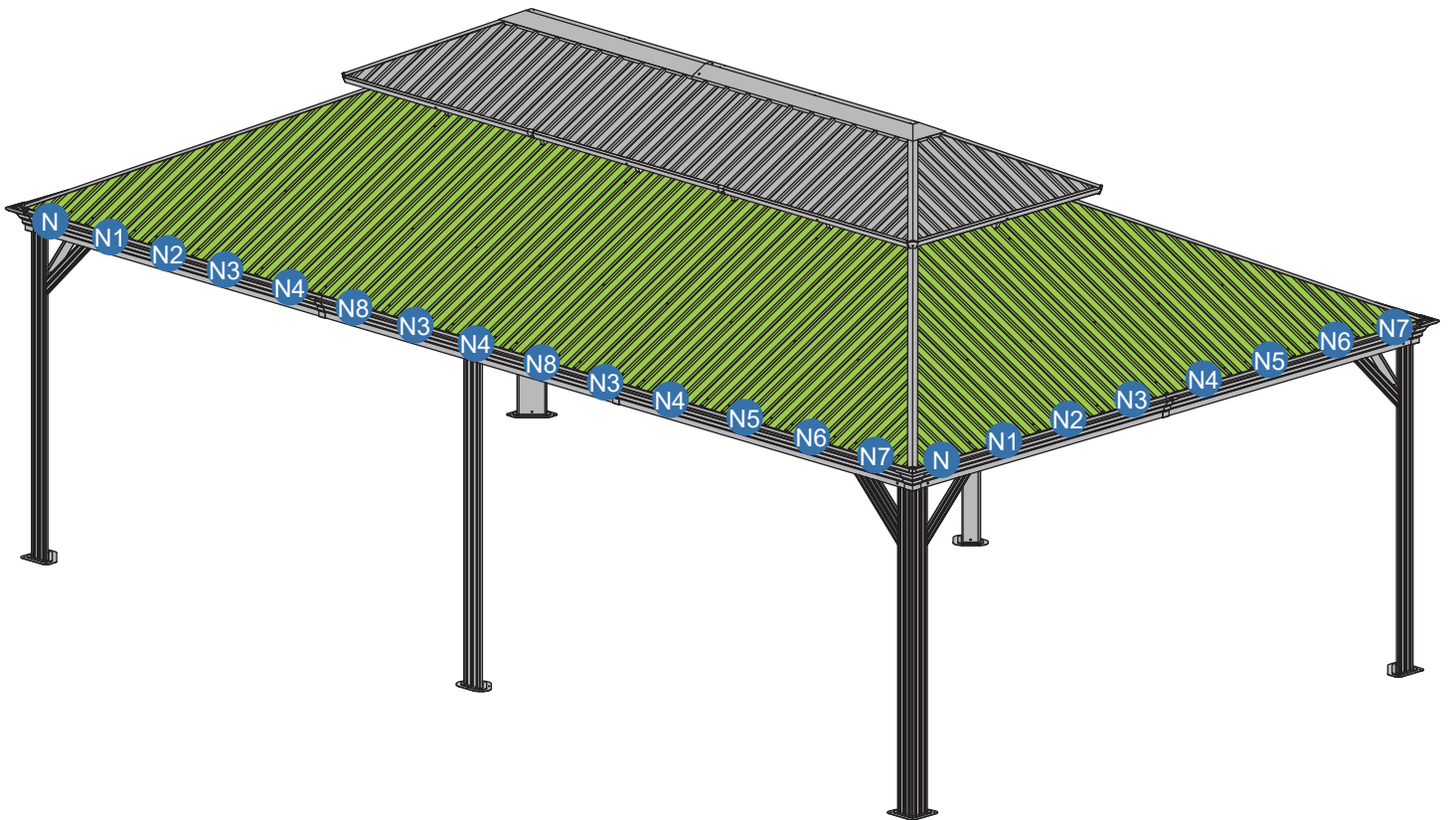
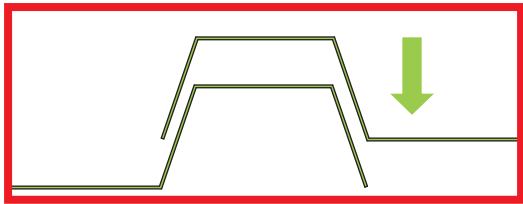
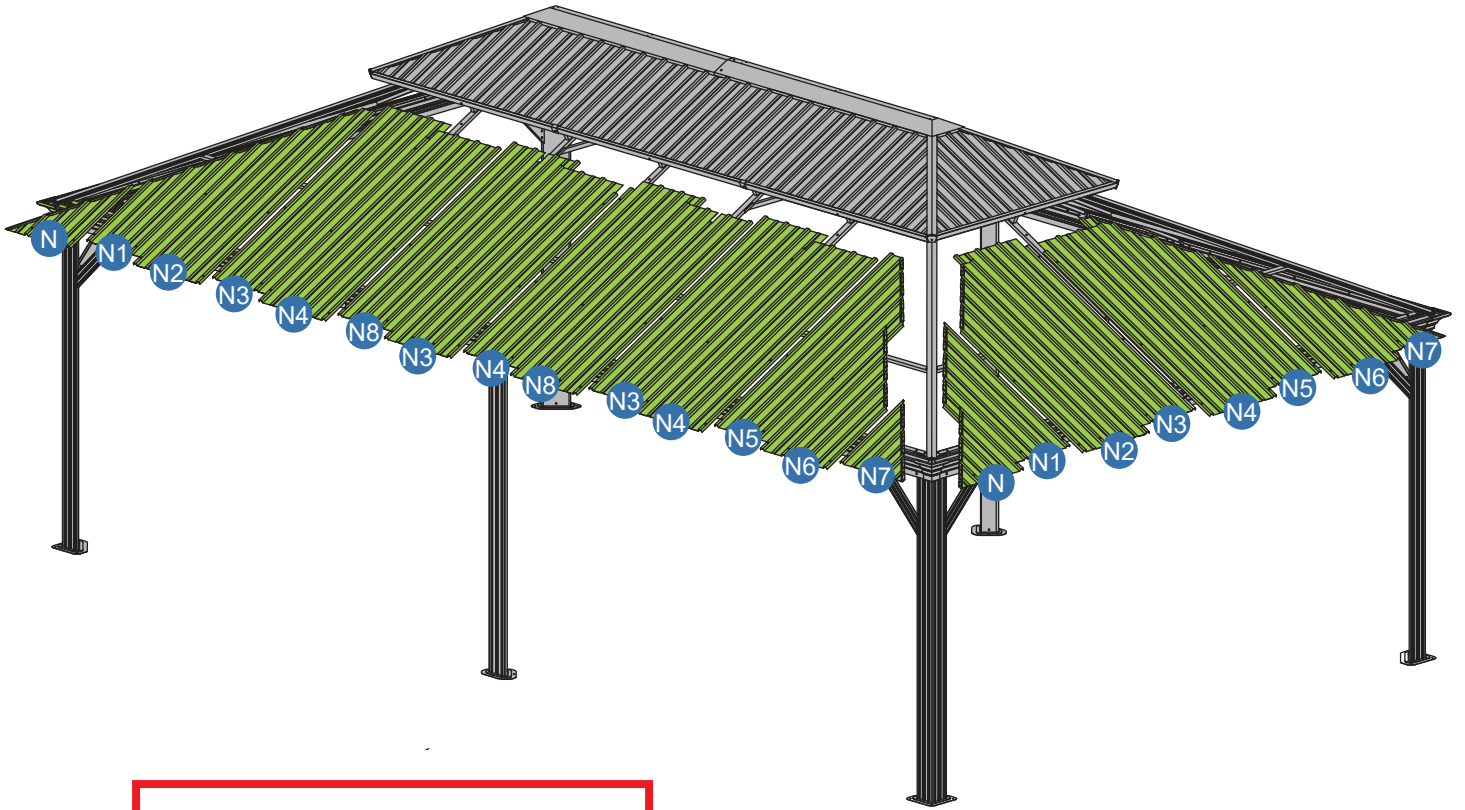
Make sure to install part "I" correctly according to the enlarged view of "I" (pay attention to the hole position of "I").



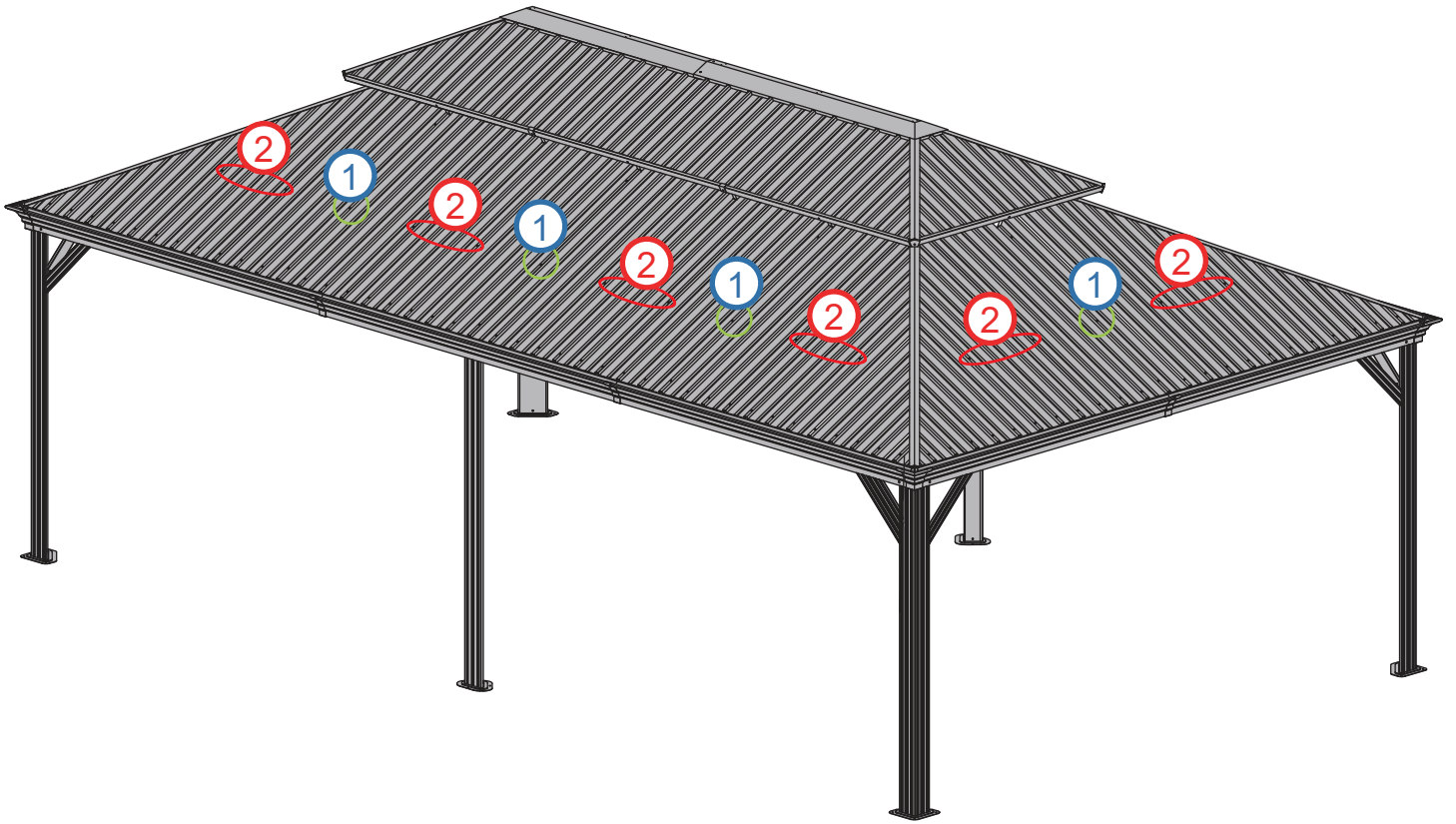
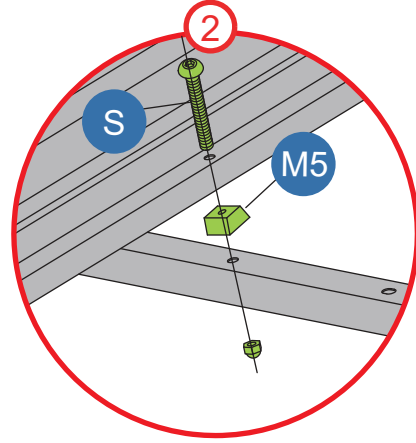
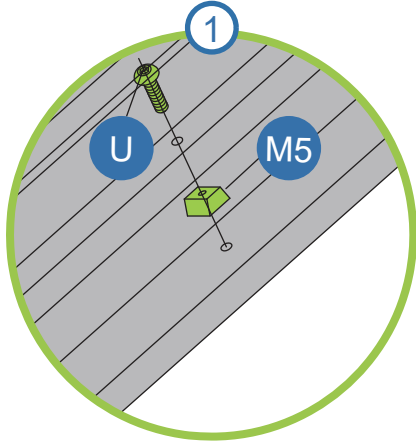
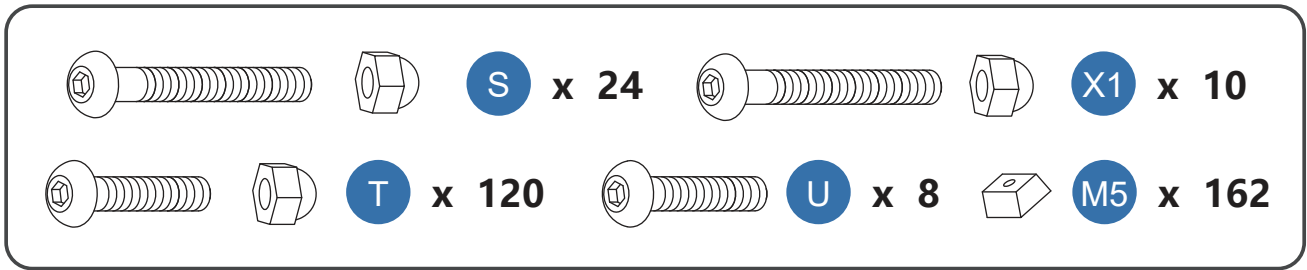
D1 x 4
R x 32

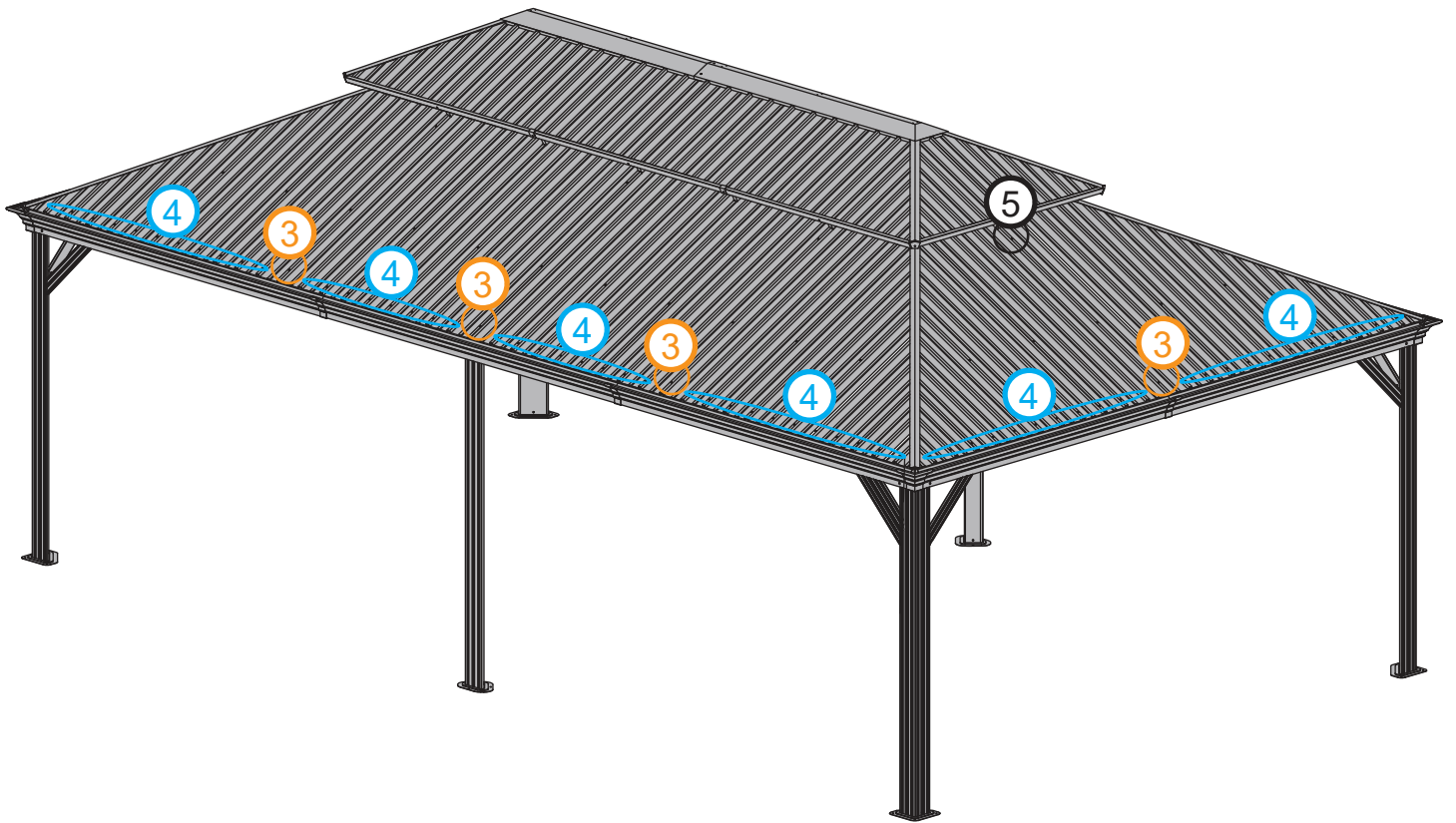
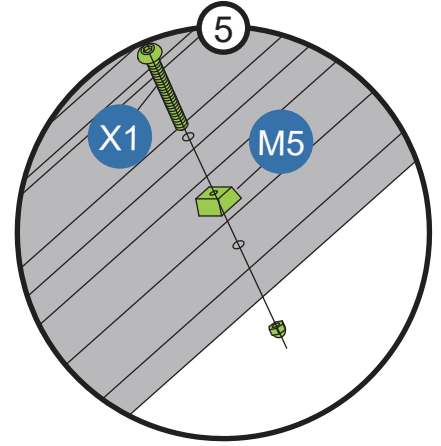
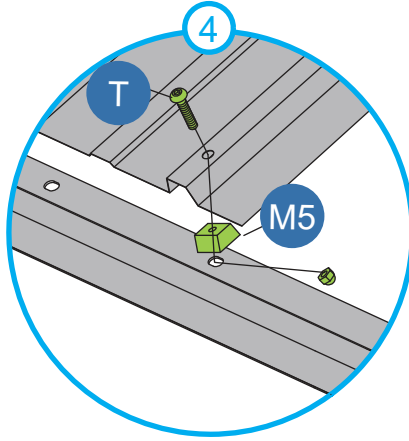
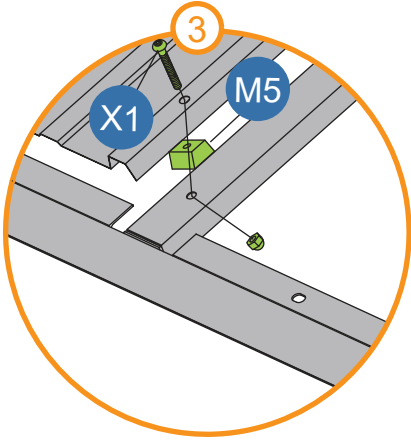


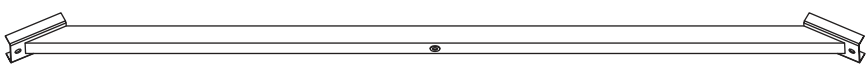
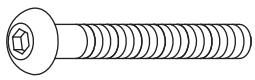
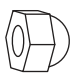

x2

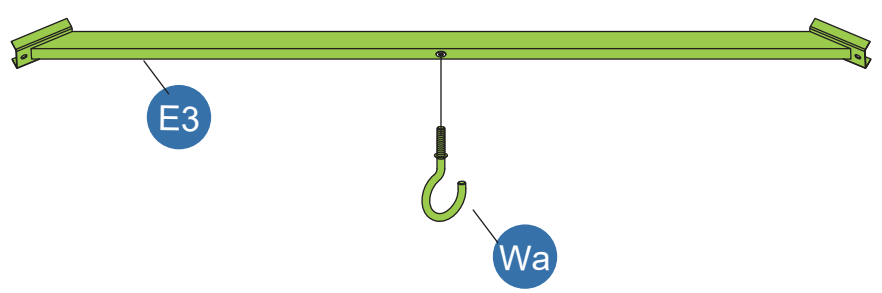
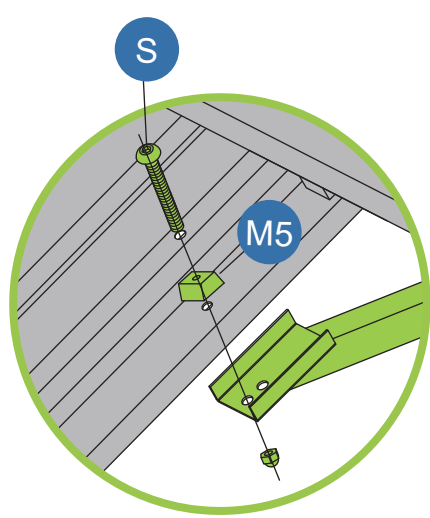
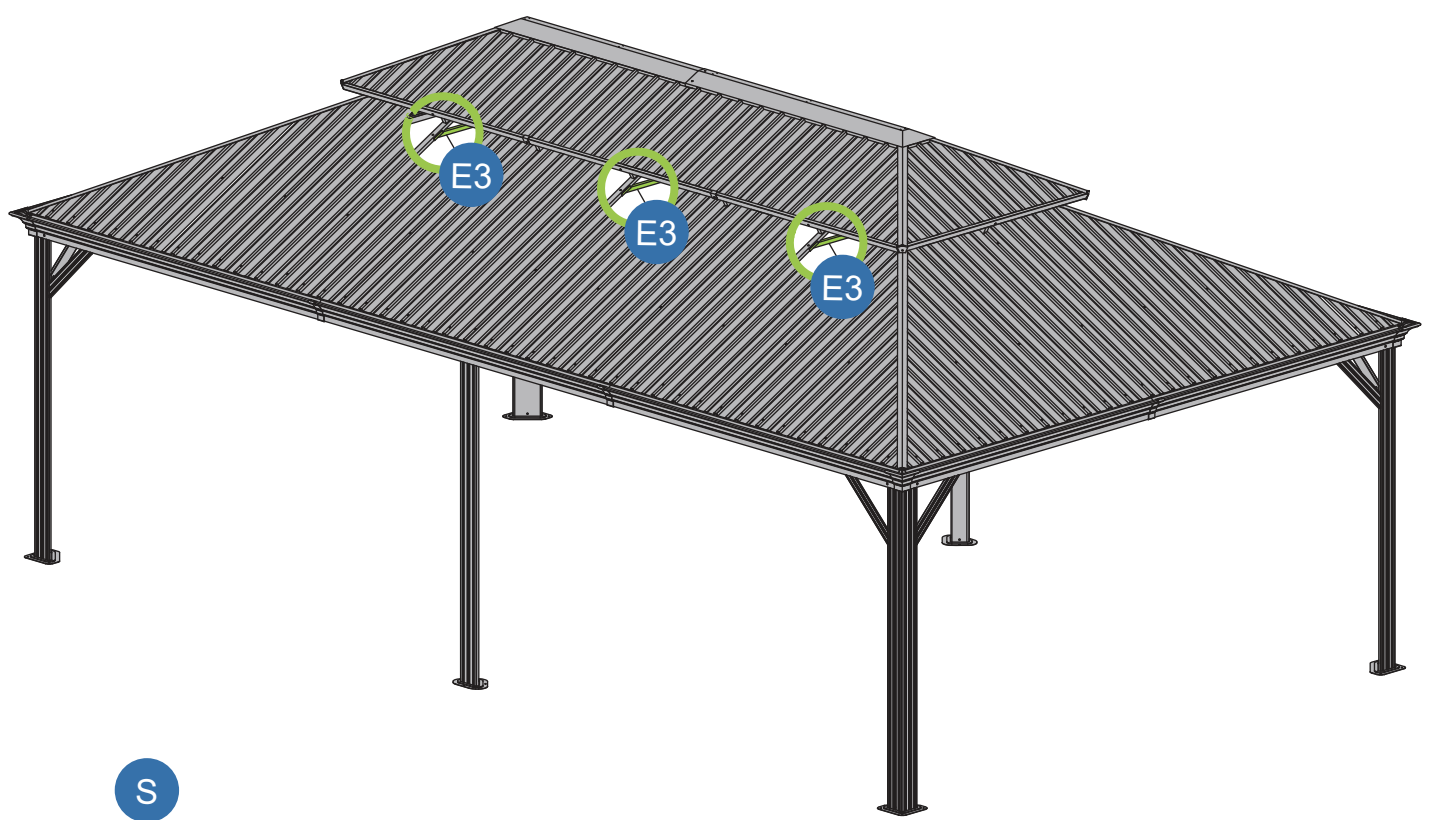


24-1





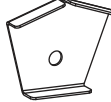
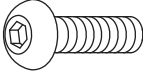


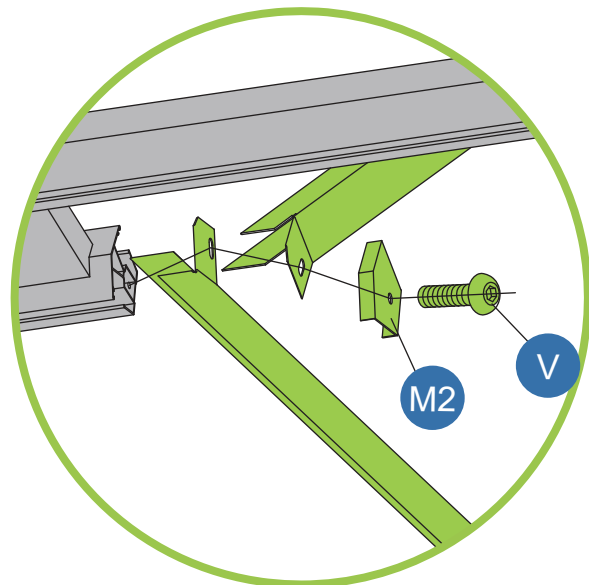
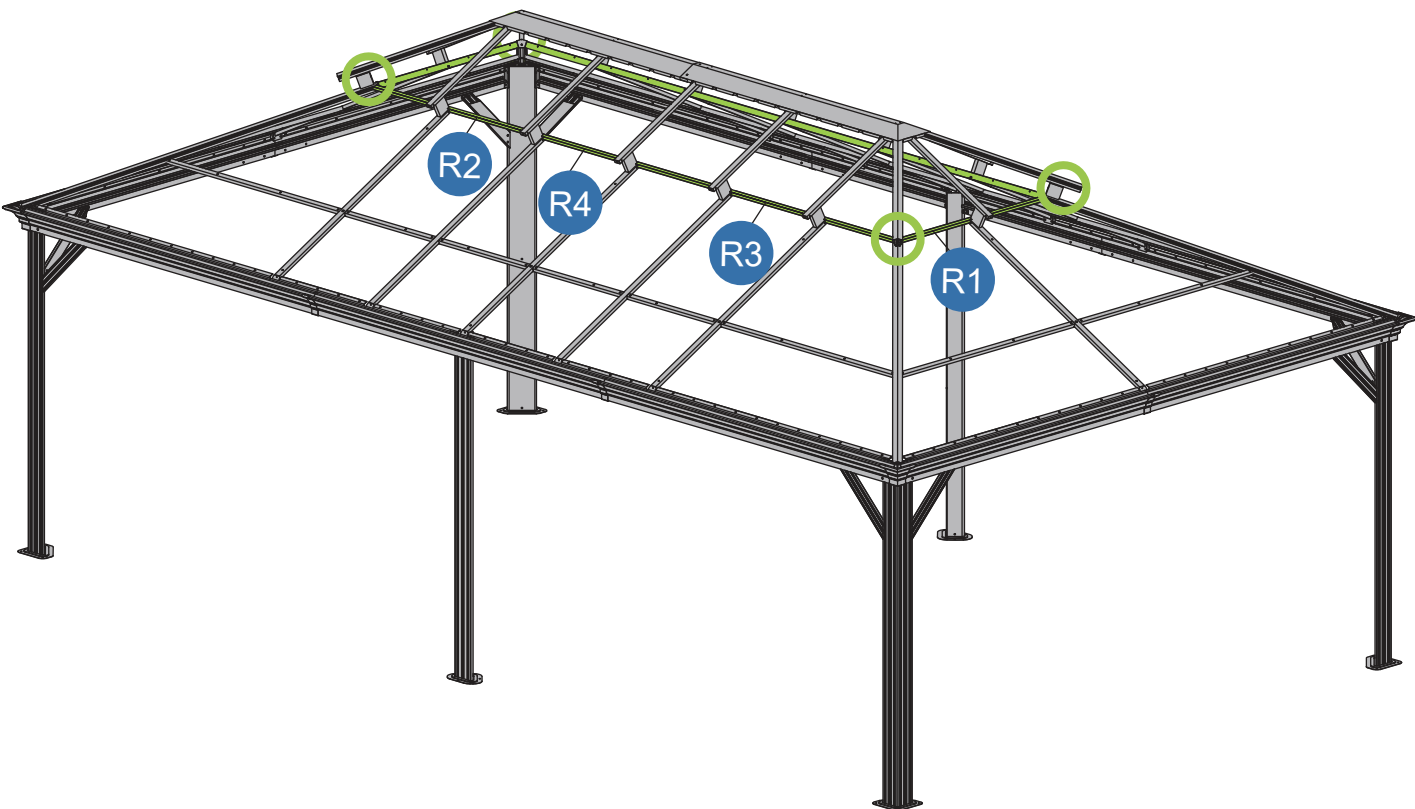


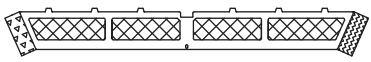
 **E3** x 3
 **S** x 6
  **M5** x 6
  **Wa** x 3



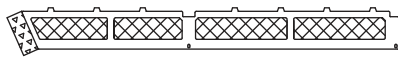
If all "Wa" components are used up in Step 20, it is not necessary to secure "Wa" at position "E3".

-  R1 x 2
-  R2 x 2
-  R3 x 2
-  R4 x 2
-  M2 x 4
-  V x 4

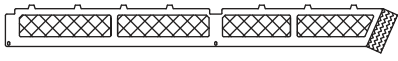




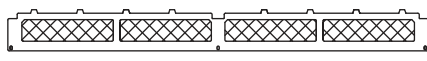
ZS27 x 2



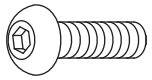
ZS28 x 2



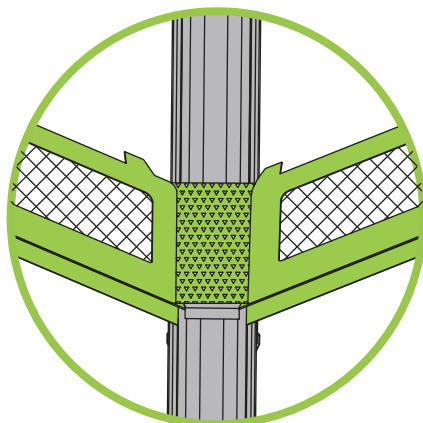
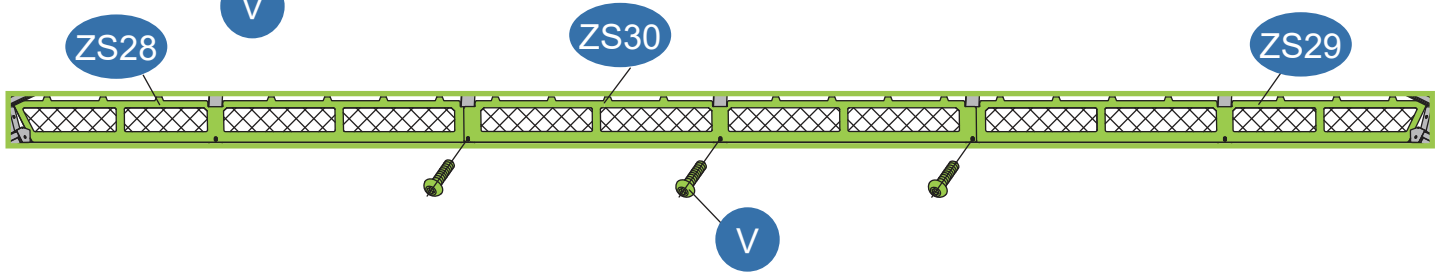
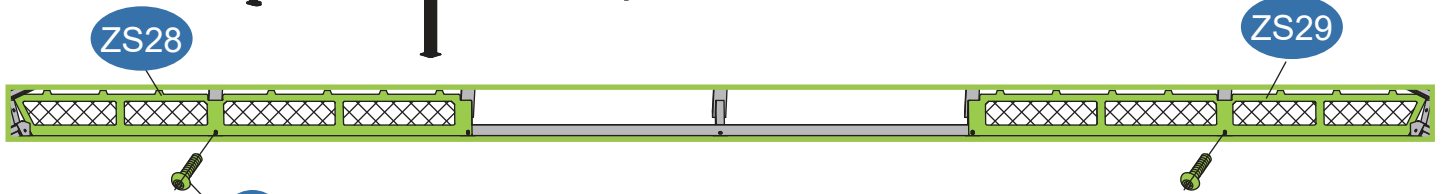
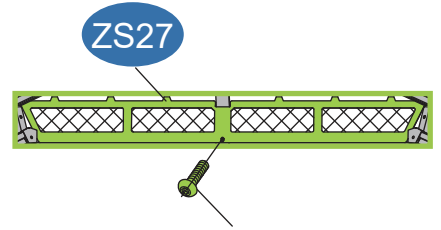
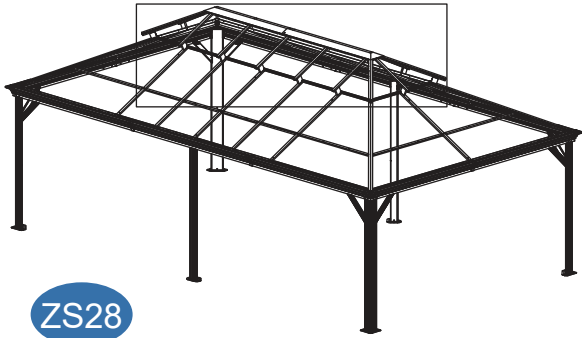
ZS29 x 2

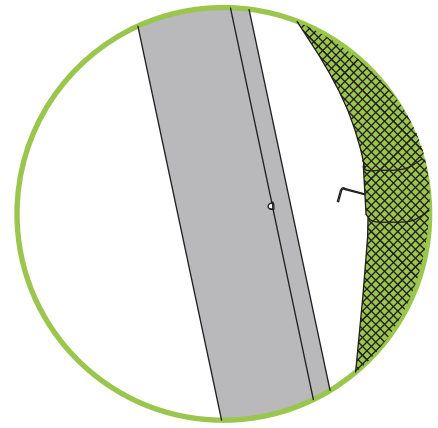
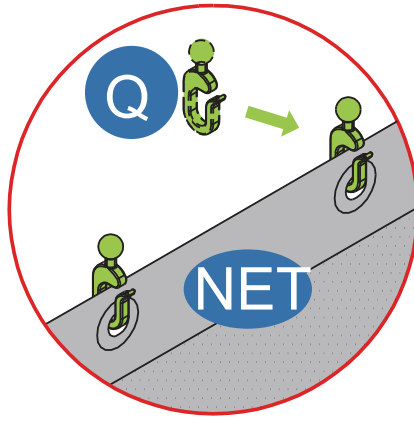
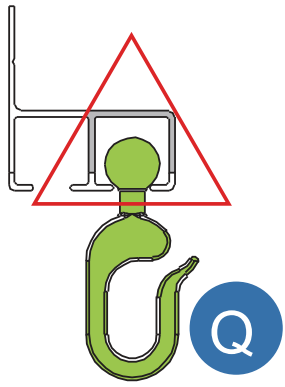


ZS30 x 2



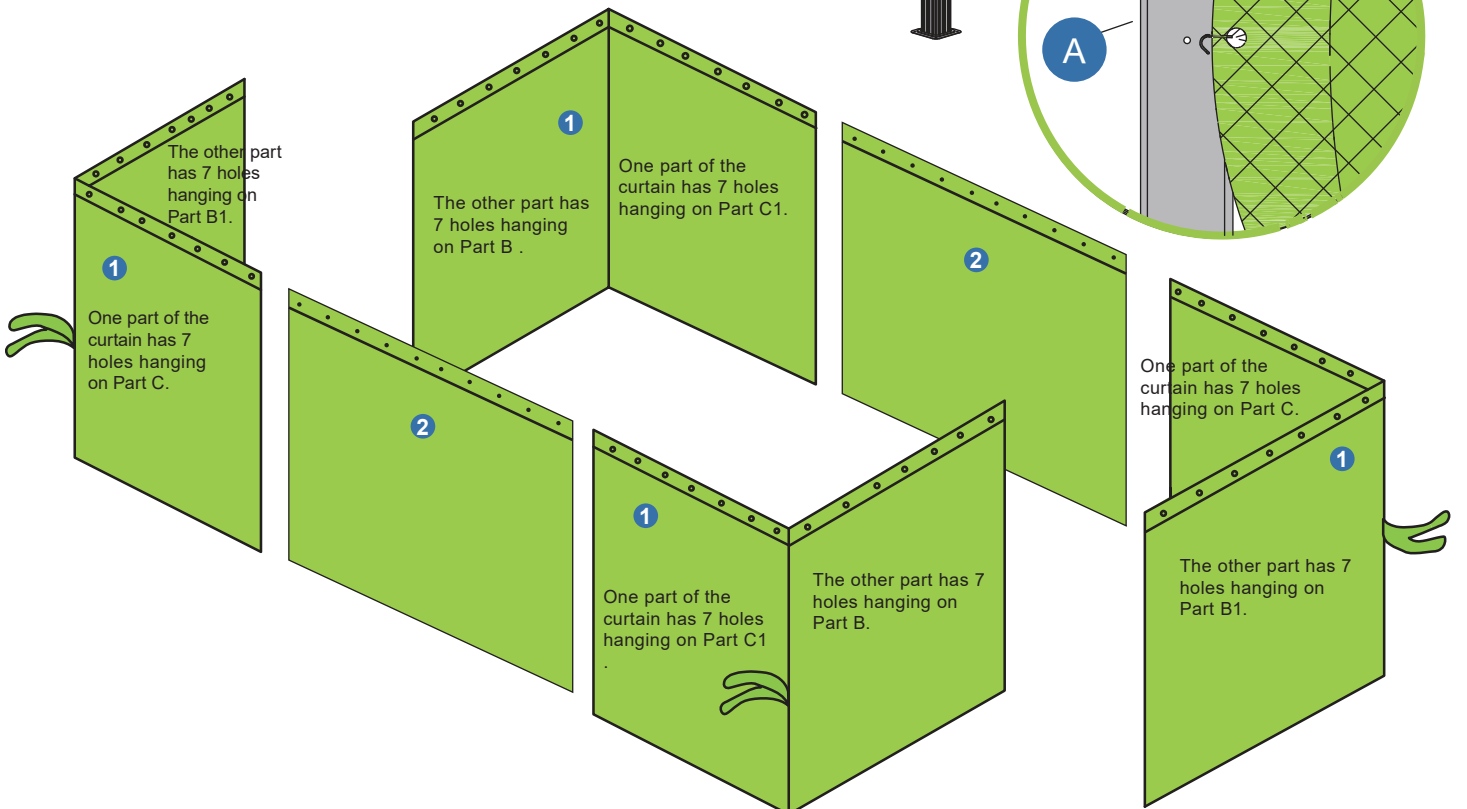
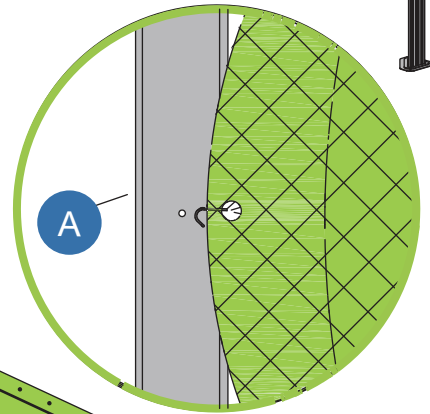
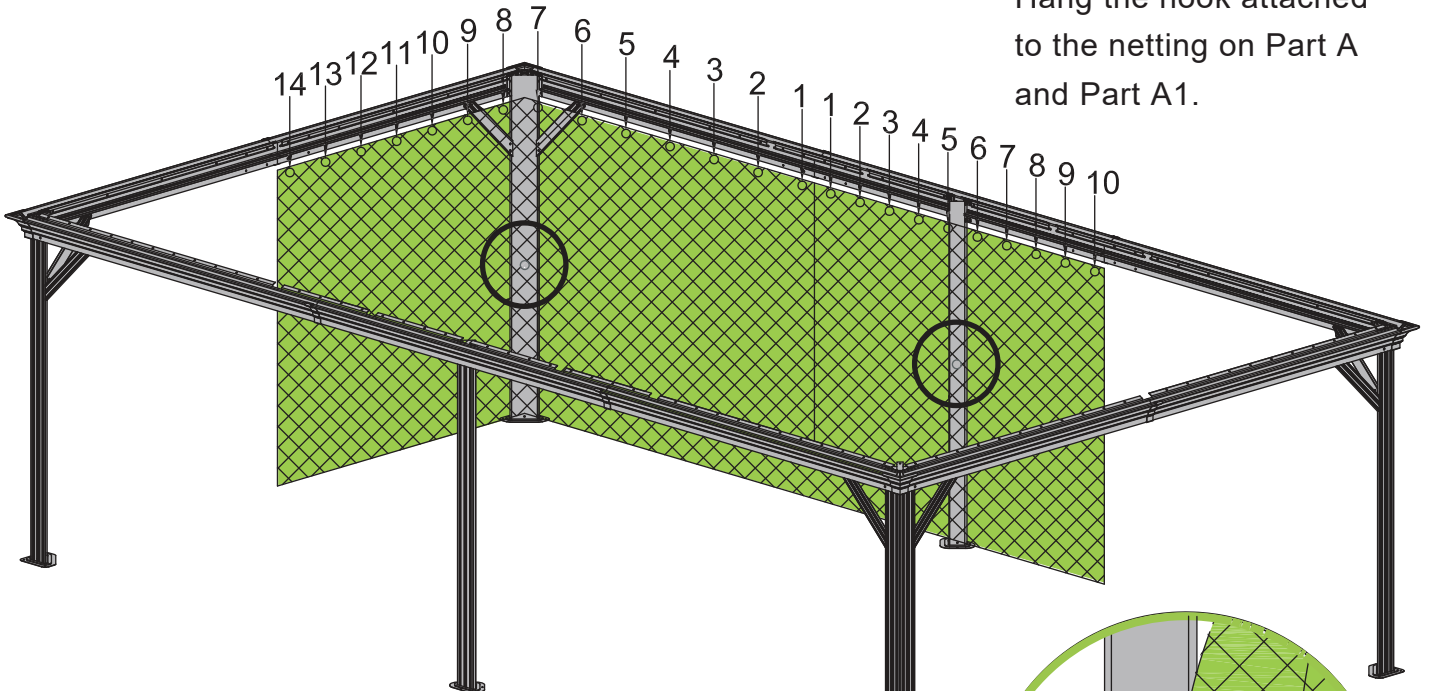
V x 12

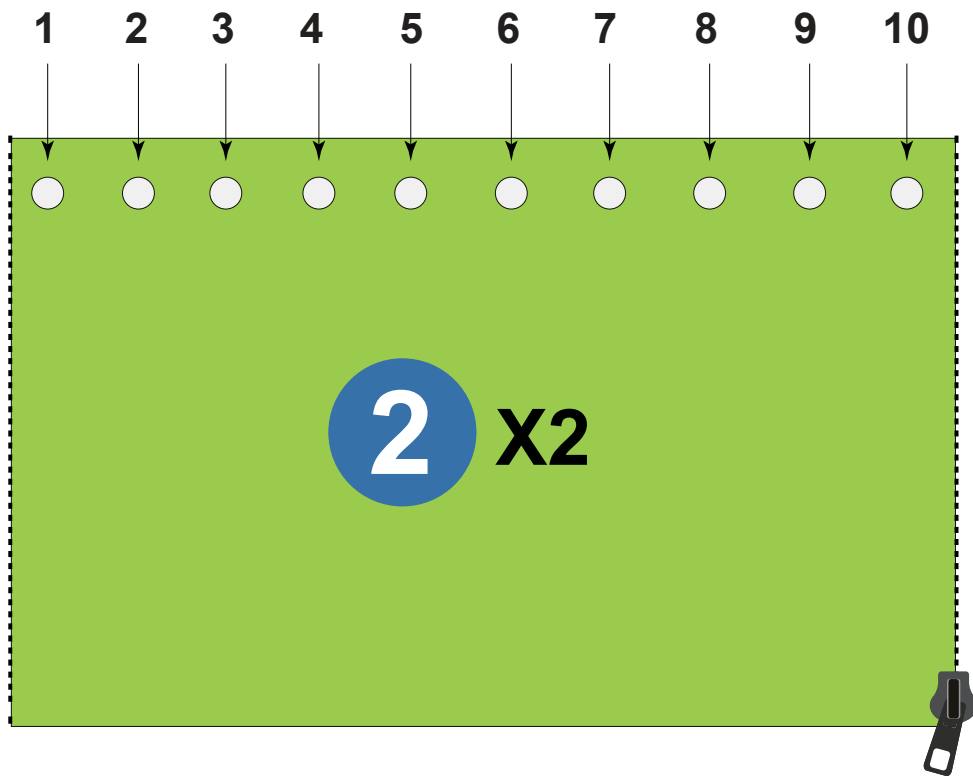
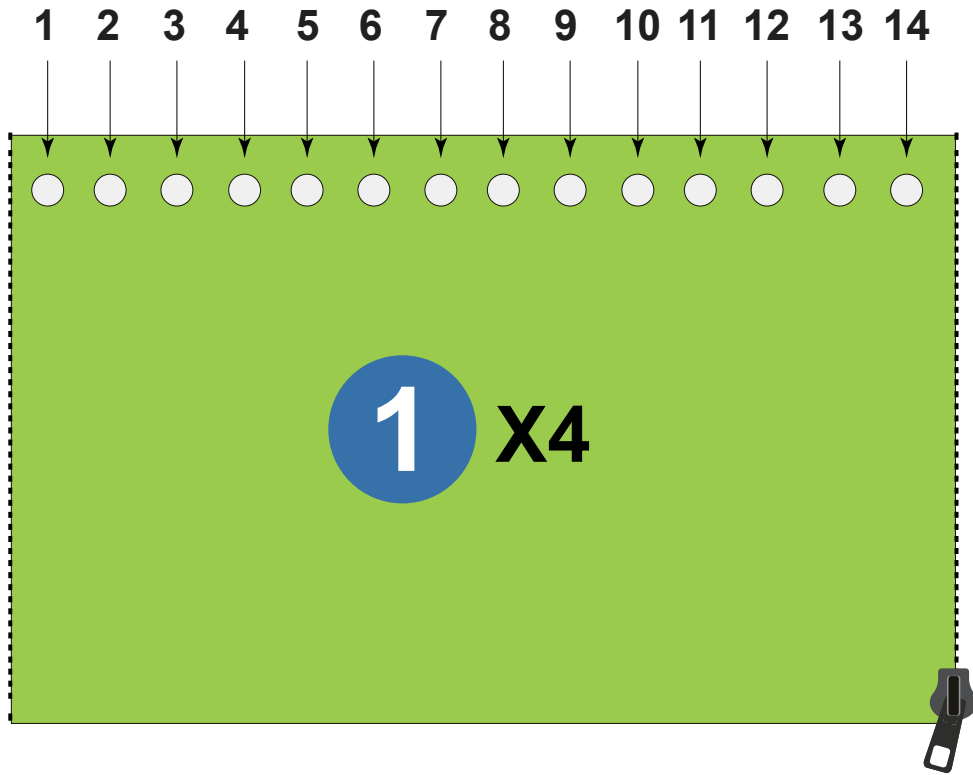


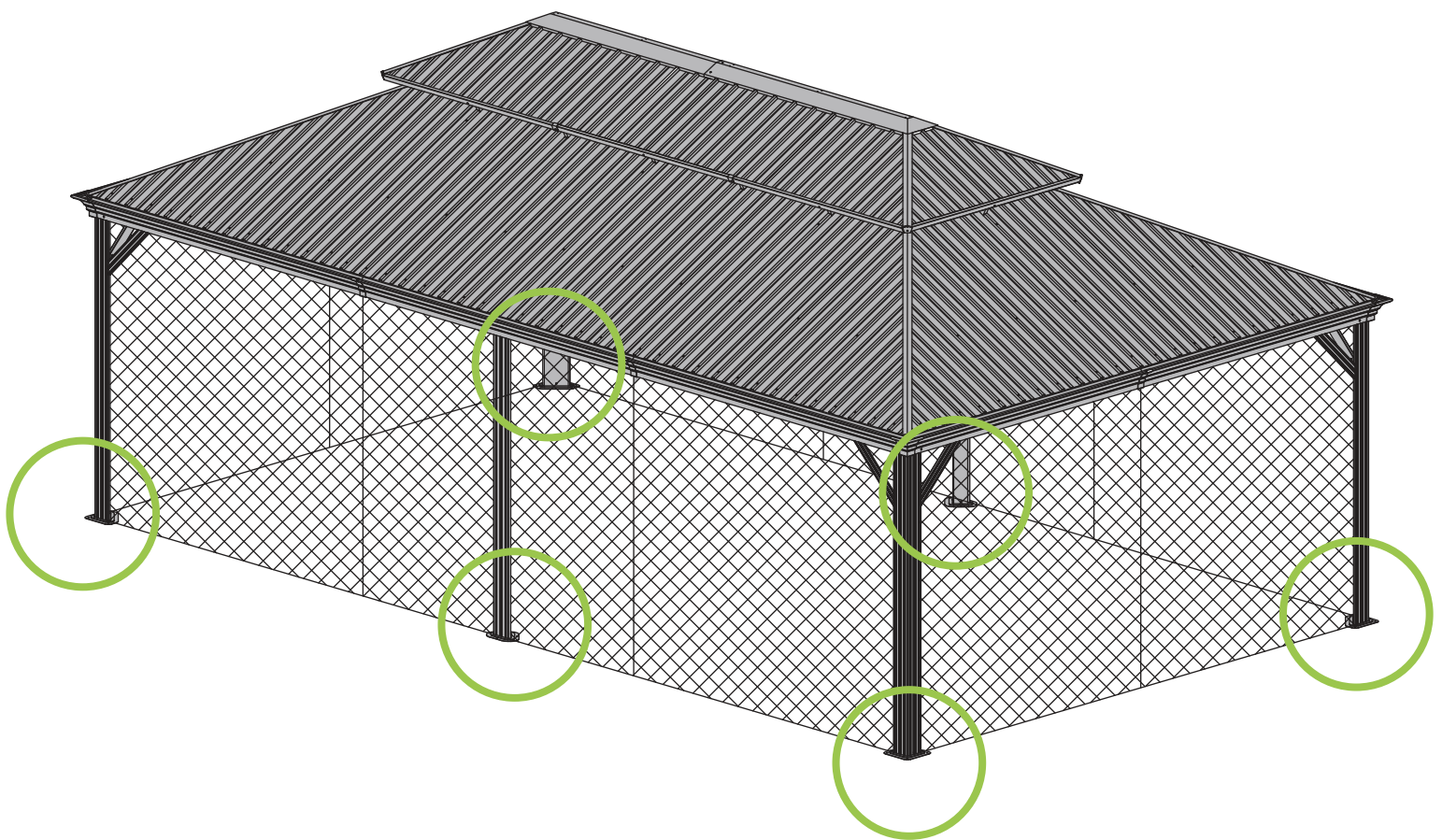


Pay attention to the sidewall netting's installation position.

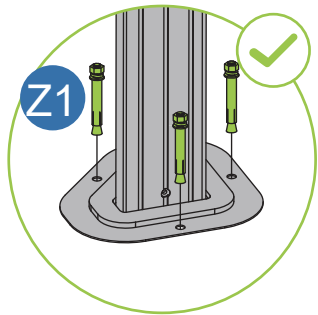
Hang the hook attached to the netting on Part A and Part A1.



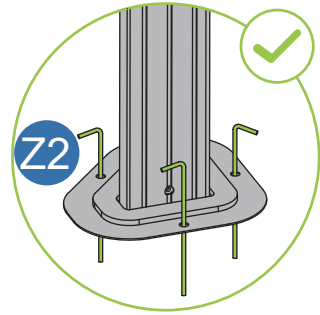
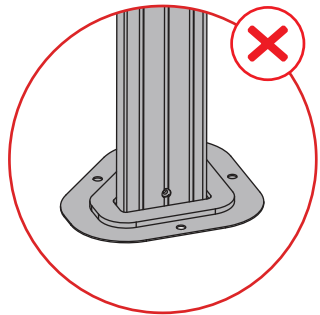




To improve wind resistance, be sure to complete this installation step. If expansion screws or ground nails are not installed, strong winds may topple the gazebo. Expansion screws are essential for stability on cement surface, and ground nails are for grassy surfaces. All are included in the accessories package.



Cement surfaces



Grassy surfaces

