

LINK UP GATEWAYS SERIES

# LINK UP 0-5V

OPERATING INSTRUCTIONS  
rev. AB



EN

DE

IT

FR

ES

PT



# CONTENT

- INTRODUCTION ..... 3**
  - Packaging Content ..... 3
  - The LinkUp Gateway Concept ..... 3
  - Design and Function ..... 3
- SAFETY INFORMATION ..... 4**
  - Safety during Installation ..... 4
  - Safety after Installation ..... 5
  - Electrical Connection ..... 5
- SYSTEM INSTALLATION ..... 6**
  - Before the Assembly ..... 6
  - Pinout ..... 7
  - Connecting a Sensor ..... 7
  - Connect to the NMEA 2000® Network ..... 8
  - List of Supported Sensors ..... 8
- CONFIGURATION ..... 9**
  - LinkUp Configurator App ..... 9
  - Sensor Configuration ..... 9
  - Trim Configuration Wizard ..... 11
  - Supported Configurations ..... 11
  - LED Notifications ..... 12
- TECHNICAL DATA ..... 13**
  - Datasheet ..... 13
  - Dimensions ..... 14
  - Supported NMEA 2000® PGNs ..... 14

# INTRODUCTION

## PACKAGING CONTENT

1x	LinkUp Gateway - 0-5V	B000592
1x	Veratron Card	B000101
1x	Safety Manual	B000100

## THE LINKUP GATEWAY CONCEPT

The voltage-type LinkUp gateway provides an easy method to convert vessel and engine information to NMEA 2000®.

Compatible sensors are for example, but not only, liquid levels, trim tabs, rudder angle, temperature, or pressure senders.

Easily installed, the LinkUp gateway replaces the original wiring, delivering power to both the LinkUp device and the sensor from the NMEA 2000® backbone while still being compliant with the NMEA 2000® certification requirements.

The data are then available for being displayed on any VMH, OceanLink, AcquaLink, or more in general on any glass cockpit NMEA 2000® display device.

Configuring LinkUp gateways is simple using a mobile device and the companion Link Up Configurator App for Android or iOS.

Each device has a built-in passive NFC antenna. Therefore, the parameters of the sensor (type, instance and warning threshold ) can be configured on the mobile phone which is then “tapped” against the LinkUp device for instant data download.

## DESIGN AND FUNCTION

The LinkUp gateway has a simple yet effective design. The potted housing and contactless programming interface allow the unit to be installed in engine rooms, making it compliant to the ISO 8846:1990 as requested by the directive 2013-53(EC).

The standard NMEA 2000® M12 plug allows for a plug-and-play installation to the network backbone.

The gateway provides an AMP SuperSeal plug to easily make a waterproof connection to the sensor. If the sensor doesn't have the required counterpart connector, the wires are easy accessible to attach any type of interface.

# SAFETY INFORMATION

## WARNING

- No smoking! No open fire or heat sources!
- The product was developed, manufactured, and inspected according to the basic safety requirements of EC Guidelines and state-of-the-art technology.
- The instrument is designed for use in grounded vehicles and machines as well as in pleasure boats, including non-classified commercial shipping.
- Use our product only as intended. Use of the product for reasons other than its intended use may lead to personal injury, property damage or environmental damage. Before installation, check the vehicle documentation for vehicle type and any possible special features!
- Use the assembly plan to learn the location of the fuel/hydraulic/compressed air and electrical lines!
- Note possible modifications to the vehicle, which must be considered during installation!
- To prevent personal injury, property damage or environmental damage, basic knowledge of motor vehicle/shipbuilding electronics and mechanics is required.
- Make sure that the engine cannot start unintentionally during installation!
- Modifications or manipulations to Veratron products can affect safety. Consequently, you may not modify or manipulate the product!
- When removing/installing seats, covers, etc., ensure that lines are not damaged and plug-in connections are not loosened!
- Note all data from other installed instruments with volatile electronic memories.

## SAFETY DURING INSTALLATION

- During installation, ensure that the product's components do not affect or limit vehicle functions. Avoid damaging these components!
- Only install undamaged parts in a vehicle!
- During installation, ensure that the product does not impair the field of vision and that it cannot impact the driver's or passenger's head!
- A specialized technician should install the product. If you install the product yourself, wear appropriate work clothing. Do not wear loose clothing, as it may get caught in moving parts. Protect long hair with a hair net.
- When working on the on-board electronics, do not wear metallic or conductive jewelry such as necklaces, bracelets, rings, etc.
- If work on a running engine is required, exercise extreme caution. Wear only appropriate work clothing as you are at risk of personal injury, resulting from being crushed or burned.
- Before beginning, disconnect the negative terminal on the battery, otherwise you risk a short circuit. If the vehicle is supplied by auxiliary batteries, you must also disconnect the negative terminals on these batteries! Short circuits can cause fires, battery explosions and damages to other electronic systems. Please note that when you disconnect the battery, all volatile electronic memories lose their input values and must be reprogrammed.
- If working on gasoline boat motors, let the motor compartment fan run before beginning work.
- Pay attention to how lines and cable harnesses are laid so that you do not drill or saw through them!
- Do not install the product in the mechanical and electrical airbag area!
- Do not drill holes or ports in load-bearing or stabilizing stays or tie bars!
- When working underneath the vehicle, secure it according to the specifications from the vehicle manufacturer.
- Note the necessary clearance behind the drill hole or port at the installation location. Required mounting depth: 65 mm.

## **SAFETY INFORMATION**

- Drill small ports; enlarge and complete them, if necessary, using taper milling tools, saber saws, keyhole saws or files. Deburr edges. Follow the safety instructions of the tool manufacturer.
- Use only insulated tools if work is necessary on live parts.
- Use only the multimeter or diode test lamps provided, to measure voltages and currents in the vehicle/machine or boat. Use of conventional test lamps can cause damage to control units or other electronic systems.
- The electrical indicator outputs and cables connected to them must be protected from direct contact and damage. The cables in use must have enough insulation and electric strength and the contact points must be safe from touch.
- Use appropriate measures to also protect the electrically conductive parts on the connected consumer from direct contact. Laying metallic, uninsulated cables and contacts is prohibited.

## **SAFETY AFTER INSTALLATION**

- Connect the ground cable tightly to the negative terminal of the battery.
- Reenter/reprogram the volatile electronic memory values.
- Check all functions.
- Use only clean water to clean the components. Note the Ingress Protection (IP) ratings (IEC 60529).

## **ELECTRICAL CONNECTION**

- Note cable cross-sectional area!
- Reducing the cable cross-sectional area leads to higher current density, which can cause the cable cross-sectional area in question to heat up!
- When installing electrical cables, use the provided cable ducts and harnesses; however, do not run cables parallel to ignition cables or to cables that lead to large electricity consumers.
- Fasten cables with cable ties or adhesive tape. Do not run cables over moving parts. Do not attach cables to the steering column!
- Ensure that cables are not subject to tensile, compressive, or shearing forces.
- If cables are run through drill holes, protect them using rubber sleeves or the like.
- Use only one cable stripper to strip the cable. Adjust the stripper so that stranded wires are not damaged or separated.
- Use only a soft soldering process or commercially available crimp connector to solder new cable connections!
- Make crimp connections with cable crimping pliers only. Follow the safety instructions of the tool manufacturer.
- Insulate exposed stranded wires to prevent short circuits.
- Caution: Risk of short circuit if junctions are faulty or cables are damaged.
- Short circuits in the vehicle network can cause fires, battery explosions and damages to other electronic systems. Consequently, all power supply cable connections must be provided with weldable connectors and be sufficiently insulated.
- Ensure ground connections are sound.
- Faulty connections can cause short circuits. Only connect cables according to the electrical wiring diagram.
- If operating the instrument on power supply units, note that the power supply unit must be stabilized and it must comply with the following standard: DIN EN 61000, Parts 6-1 to 6-4.

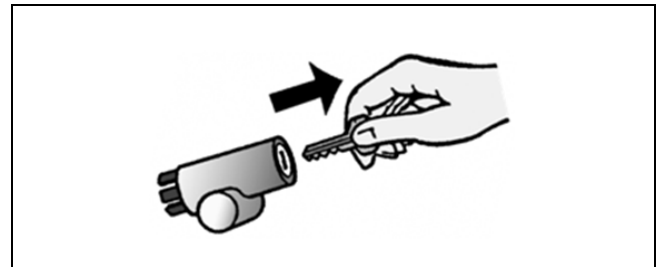
# SYSTEM INSTALLATION

## ⚠ WARNING

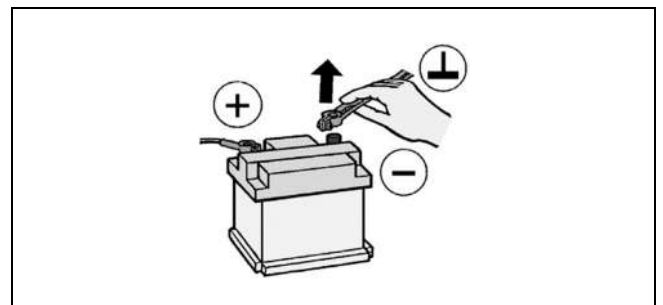
Before beginning, disconnect the negative terminal on the battery, otherwise you risk a short circuit. If the vehicle is supplied by auxiliary batteries, you must also disconnect the negative terminals on these batteries! Short circuits can cause fires, battery explosions and damages to other electronic systems. Please note that when you disconnect the battery, all volatile electronic memories lose their input values and must be reprogrammed.

### BEFORE THE ASSEMBLY

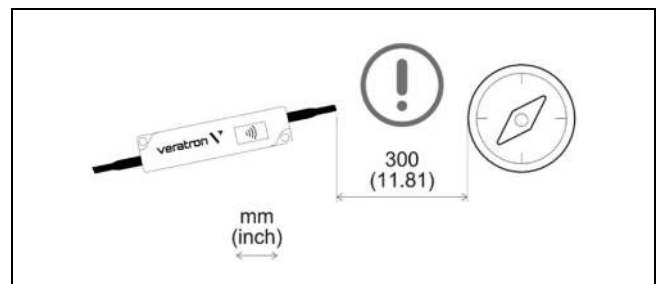
1. Before beginning, turn off the ignition and remove the ignition key. If necessary, remove the main circuit switch.



2. Disconnect the negative terminal on the battery. Make sure the battery cannot restart unintentionally.



3. Place the device at least 300 mm away from any magnetic compass.



**PINOUT**

**SENSOR SIDE**

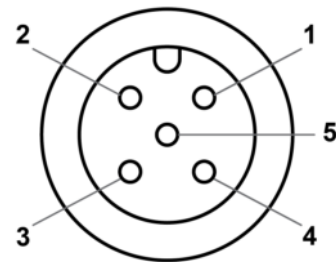
Pin No.	Wire color	Description
1	Black	GND
2	Blue	Signal
3	Red	5V-Supply (max. 15 mA)



AMP Super Seal 3-poles Male

**NMEA 2000 SIDE**

Pin No.	Description
1	Shield
2	NET-S (V+)
3	NET-C (V-)
4	NET-H (CAN High)
5	NET-L (CAN Low)



Micro-C M12 5 poles plug Male, product side view

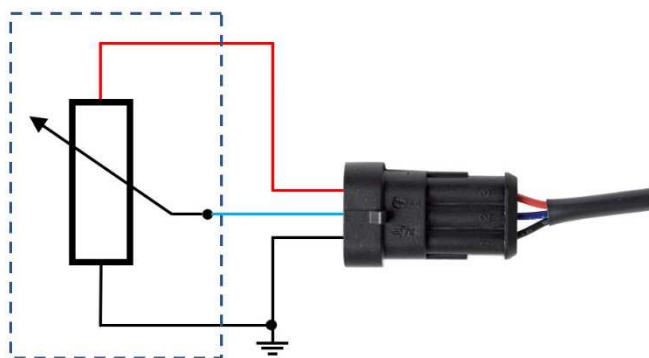
**CONNECTING A SENSOR**

When possible, use the dedicated sensor plug. If the required sensor does not have the fitting counterpart and it is not possible to attach such a connector, just cut off the LinkUps plug and complete the wiring with the given interface. Refer to the pinout above for that.

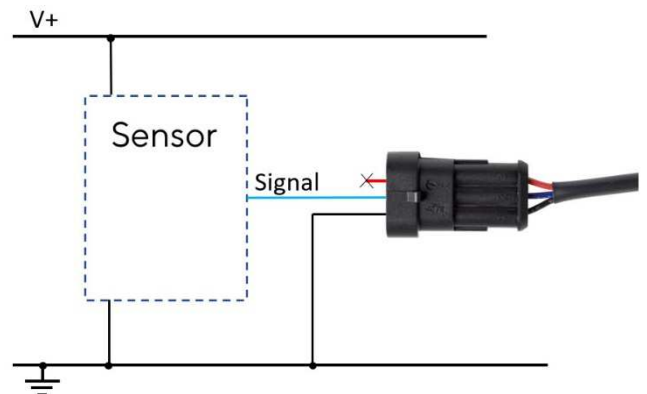
The LinkUp Gateway delivers a 5V-supply voltage that can be used to power an passive sensor. Note that the power output does not deliver more than 15mA of current.

When using an active sensor, make sure it does not provide signals higher than 5V.

**Passive Sensor Connection**



**Active Sensor Connection**



## CONNECT TO THE NMEA 2000® NETWORK

Once the sensor installation is complete you can interface the LinkUp gateway to the NMEA 2000® backbone through the dedicated plug.

Please ensure to tighten the M12 connector by screwing it onto its counterpart, so to preserve the water tightness.

A drop cable is not needed unless the total length of the LinkUp device is not enough to reach the NMEA 2000® backbone. In this case it is possible to extend the total length by using one of the accessory drop cables.

Please note that NMEA 2000® does not allow drop cables longer than 6 meters.

Refer to the NMEA 2000® standard for a proper network design.

If power from the NMEA 2000® network is received, the green LED on the LinkUp housing will start flashing (see “LED notifications”).



## LIST OF SUPPORTED SENSORS

- Fuel Level
- Freshwater Level
- Wastewater Level
- Trim Level
- Rudder Angle
- Coolant Temperature
- Boost Pressure
- Oil Temperature
- Oil Pressure
- Gear Oil Pressure
- Gear Oil Temperature
- Trim Tabs

\* The list of supported sensors may be updated at any time. Make sure to always use the latest version of the LinkUp Configurator App.

# CONFIGURATION

## LINKUP CONFIGURATOR APP

To configure the sensor, some parameters like the sensor type, its calibration or warning thresholds, must be entered into the LinkUp gateway.

This is possible through the “Link Up Configurator” smartphone App, which can be downloaded free of charge from the stores of both Android and iOS devices.

A simple explanation of the configuration process is also available as in-app instructions.

Thanks to the passive embedded NFC receiver, the LinkUp gateway can be configured, as described below, without the need of a power supply.



### LINK UP CONFIGURATOR



## SENSOR CONFIGURATION



1. Launch the “Link Up Configurator” App and read the current configuration of the LinkUp device by “tapping” the smartphone onto the LinkUp wireless area (indicated by the NFC symbol) The readout is necessary before you can write new configurations on the LinkUp.

NOTE: The antenna position on the smartphone depends on the model.

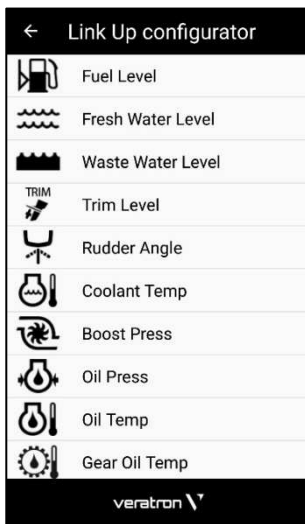
Please refer to the smartphone manufacturer manual.



2. After the readout, the App will show the “CONFIGURATION SUMMARY”, which displays all the current settings of the device.

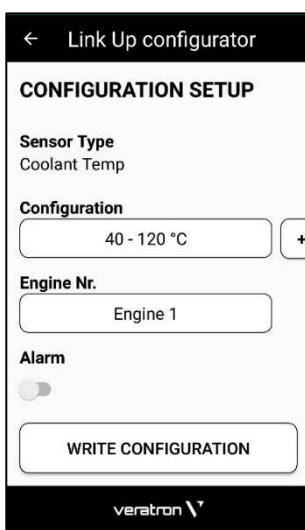
To see the exact sensor curve, that has been programmed on the LinkUp Gateway before, press the button with the plus. This will open a further table.

To modify the configuration, press the “Change Configuration” button.



3. Select the sensor type to be configured among the list shown in the app (e.g. Fuel Level).

See section “Supported Configurations” further below to see all the possible options.



4. Either choose one of the proposed standard sensor curves or define your own characteristic by selecting the option “CUSTOM”.

To see the fixed points of the before defined sensor curve press the little button with the plus.

Define to which engine or tank number the measured values apply, so the data is correctly sent to the NMEA network.

For some sensors (see list below) it is possible to also set up an alarm, with its related threshold.

The field to enter the threshold value appears after enabling the Alarm switch.

Once the settings are completed, press the “Write Configuration” button to prepare the transfer to the gateway device.



5. To upload the configuration, simply “tap” the smartphone again onto the LinkUps wireless area, as described in step 1.

The configuration is instantaneously transferred to the device, and the new “Configuration Summary” is displayed.

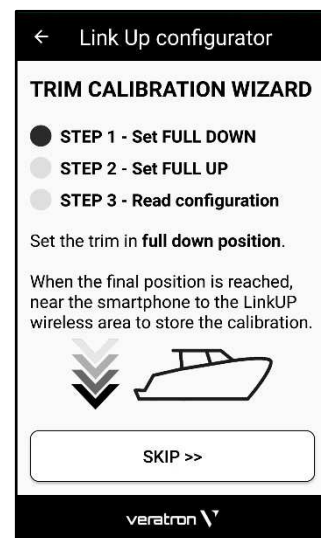
## TRIM CONFIGURATION WIZARD

For the sensor types Trim Level and Trim Tabs, there is an additional configuration process.

Instead of selecting a standard curve or defining your own custom values, here you can also use the configuration wizard to directly save the current reading of the sensor.

The LinkUp Gateway must be connected to the trim sensor, when doing this.

- **Read** out the old configuration by holding the mobile device onto the NFC area of the LinkUp Gateway and select the desired sensor type. (Only supported for trim level and trim tabs)
- Press [**CALIBRATE**] instead of selecting a sensor curve.
- Bring the engine in the **full down** position.
- **Connect** the smartphone to the LinkUp to store the current sensor reading as range limit.
- Bring the engine in the **full up** position
- **Connect** again to store the sensor reading for the highest position.
- To see the sensor curve that has been programmed to the LinkUp connect the phone one more time and check the summary.
- The engine **instance** can now also be configured as usual.



It is not necessary to make the measurement for the upper and the lower position. If one of them has already been programmed to the LinkUp before, simply press [SKIP] when being asked to bring the engine in the according position.

## SUPPORTED CONFIGURATIONS

Sensor Type	Alarm available	NMEA 2000® PGN
Fuel Level	No	127505
Freshwater Level	No	127505
Wastewater Level	No	127505
Trim Position	No	127488
Rudder Angle	No	127245
Coolant Temperature	Yes	127489
Boost Pressure	Yes	127488
Oil Pressure	Yes	127489
Oil Temperature	Yes	127489
Gear Oil Pressure	Yes	127493
Gear Oil Temperature	Yes	127493
Trim Tabs	No	130576

\* The supported configurations may be updated at any time. Please make sure to always use the latest version of the LinkUp Configurator App.

## LED NOTIFICATIONS

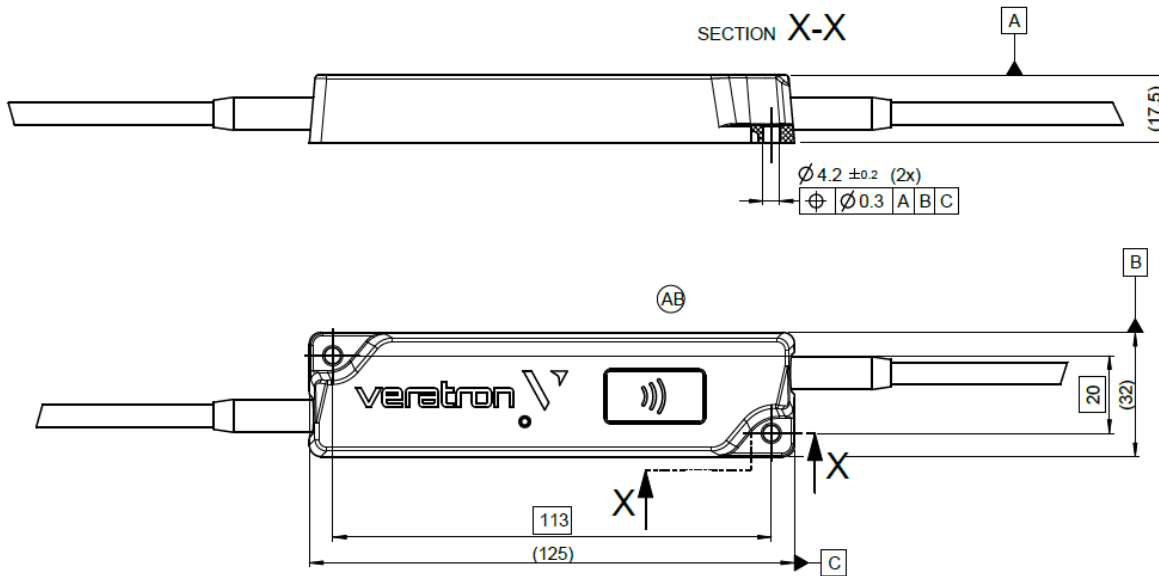
LED behavior	Description
OFF	Device not powered.
ON	Device configured and in operation.
Slow blink (1Hz)	Device in operation with invalid or empty configuration. Waiting for configuration by the user (factory setting). NMEA 2000® messages are NOT transmitted.
Fast blink (2.5Hz)	Analogue value from the sensor out of range. NMEA 2000® messages are being set as "invalid".
Very fast blink (10Hz)	Device reconfiguration in progress after wireless download.

# TECHNICAL DATA

## DATASHEET

<b>Operating voltage</b>	6 – 16.5 V
<b>Nominal voltage</b>	12 V (from NMEA 2000® network)
<b>Power consumption</b>	≤ 100 mA
<b>NMEA 2000® LEN</b>	2
<b>Measurement range</b>	0 – 5.0 V
<b>Maximum input voltage</b>	6.0 V
<b>Maximum current on 5V output</b>	15 mA
<b>Protection class</b>	IP X9/K (when connected)
<b>Operating temperature</b>	-30°C to 80°C
<b>Flammability</b>	UL94-HB
<b>Sensor cable length</b>	25 cm
<b>NMEA 2000® cable length</b>	25 cm
<b>Sensor plug</b>	TE AMP SuperSeal 1.5 3 pins – Male 282105-1
<b>Sensor plug - counter part</b>	(not included) TE AMP SuperSeal 1.5 3 pins – Female 282087-1
<b>NMEA 2000® plug</b>	DeviceNet Micro-C M12 5 pins – Male

DIMENSIONS



SUPPORTED NMEA 2000® PGNS

Description	PGN
ISO Address Claim	60928
ISO Request	59904
ISO Transport Protocol, Data Transfer	60160
ISO Transport Protocol, Connection Management	60416
ISO Acknowledgment	59392
NMEA - Request group function	126208
Heartbeat	126993
Configuration Information	126998
Product Information	126996
PGN List - Received PGNs group function	126464
Rudder	127245
Fluid Level	127505
Engine Parameters, Rapid Update	127488
Engine Parameters, Dynamic	127489
Transmission Parameters, Dynamic	127493
Trim Tab Status	130576



veratron AG  
Industriestrasse 18  
9464 Rüthi, Switzerland

T +41 71 7679 111  
info@veratron.com  
veratron.com

---

Any distribution, translation, or reproduction, partial or total, of the document is strictly prohibited unless with prior authorization in writing from veratron AG, except for the following actions:

- Printing the document in its original format, totally or partially.
- Copying contents without any modifications and stating Veratron AG as copyright owner.

Veratron AG reserves the right to make modifications or improvements to the relative documentation without notice.

Requests for authorization, additional copies of this manual or technical information on the latter, must be addressed to veratron AG.

LINK UP GATEWAYS SERIE

# LINK UP 0-5V

BEDIENUNGSANLEITUNG  
rev. AB



EN

DE

IT

FR

ES

PT



# INHALT

<b>EINFÜHRUNG .....</b>	<b>3</b>
Verpackungsinhalt .....	3
Das LinkUp-Gateway-Konzept.....	3
Design und Funktion .....	3
<b>SICHERHEITSHINWEISE .....</b>	<b>4</b>
Während des Einbaus beachten .....	4
Nach dem Einbau beachten .....	5
Elektrischer Anschluss.....	5
<b>INSTALLATION .....</b>	<b>7</b>
Vor der Installation .....	7
Pinbelegung .....	8
Anschliessen eines Sensors.....	8
Anschluss an das NMEA 2000® Netz .....	9
Liste der unterstützten Sensoren.....	9
<b>KONFIGURATION.....</b>	<b>10</b>
LinkUp-Konfigurator App.....	10
Konfiguration eines Sensors .....	10
Trim Konfigurations-Assistent.....	12
Unterstützte Konfigurationen .....	12
LED-Benachrichtigungen .....	13
<b>TECHNISCHE DATEN.....</b>	<b>14</b>
Datenblatt.....	14
Abmessungen.....	15
Unterstützte NMEA 2000® PGNs .....	15

# EINFÜHRUNG

## VERPACKUNGSIHALT

1x	LinkUp Gateway - 0-5V	B000592
1x	Veratron Karte	B000101
1x	Sicherheitshandbuch	B000100

## DAS LINKUP-GATEWAY-KONZEPT

Das spannungsabhängige LinkUp-Gateway bietet eine einfache Methode zur Umwandlung von Schiffs- und Motorinformationen in NMEA 2000®.

Kompatible Sensoren sind beispielsweise aber nicht abschliessend, Flüssigkeitsfüllstände, Trimmklappen, Ruderlagen, Temperatur- oder Druckgeber.

Das einfach zu installierende LinkUp-Gateway ersetzt die ursprüngliche Verkabelung und versorgt sowohl das LinkUp-Gerät als auch den Sensor über den NMEA 2000®-Backbone mit Strom im Rahmen der NMEA 2000®-Zertifizierungsanforderungen.

Die Daten können dann auf jedem VMH, OceanLink, AcquaLink oder generell auf jedem NMEA 2000® Display im Glascockpit angezeigt werden.

Die Konfiguration von LinkUp Gateways ist mit einem Smartphone und der zugehörigen Link Up Configurator App für Android oder iOS ganz einfach.

Jedes Gerät hat eine eingebaute passive NFC-Antenne. Daher können die Parameter des Sensors (Typ, Instanz und Alarmschwellwert) auf dem Mobiltelefon konfiguriert werden, das dann zum sofortigen Datenübertrag an das LinkUp-Gerät gehalten wird.

## DESIGN UND FUNKTION

Das LinkUp-Gateway hat ein einfaches, aber effektives Design. Das vergossene Gehäuse und die berührungslose Programmierschnittstelle ermöglichen die Installation des Geräts in Maschinenräumen, da es der ISO 8846:1990 entspricht, wie in der Richtlinie 2013-53(EC) gefordert.

Der standardmässige NMEA 2000® M12-Stecker ermöglicht eine Plug-and-Play-Installation mit dem Netzwerk-Backbone.

Das Gateway verfügt über einen AMP-SuperSeal-Stecker, mit dem sich einfach eine wasserdichte Verbindung zum Sensor herstellen lässt. Falls der Sensor nicht über den erforderlichen Gegenstecker verfügt, kann ein beliebiger Kontakt an die leicht zugänglichen Kabelenden angeschlossen werden.

# SICHERHEITSHINWEISE

## WARNUNG

- Nicht rauchen! Kein offenes Feuer oder Wärmequellen!
- Das Produkt wurde unter Beachtung der grundlegenden Sicherheitsanforderungen der EG-Richtlinien und dem anerkannten Stand der Technik entwickelt, gefertigt und geprüft.
- Das Gerät ist für den Einsatz in der Sportschiffahrt konzipiert.
- Das Gerät ist für den Einsatz in erdgebundenen Fahrzeugen und Maschinen sowie den Einsatz in der Sportschiffahrt, inklusive der nicht klassifizierten Berufsschiffahrt bestimmt.
- Setzen Sie unser Produkt nur bestimmungsgemäss ein. Die Folgen einer nicht bestimmungsgemässen Verwendung des Produktes können Personenschäden sowie Sachschäden oder Umweltschäden sein. Informieren Sie sich vor dem Einbau anhand der Fahrzeug-Papiere über den Fahrzeugtyp und über eventuelle Besonderheiten!
- Informieren Sie sich anhand von Bauplänen über die Lage von Kraftstoff- /Hydraulik- /Druckluft und elektrischen Leitungen!
- Beachten Sie eventuelle Veränderungen am Fahrzeug, die beim Einbau zu berücksichtigen sind!
- Für den Einbau sind Grundkenntnisse der Kfz/Schiffbau-Elektrik und -Mechanik erforderlich, um Personenschäden, Sachschäden oder Umweltschäden zu vermeiden.
- Stellen Sie sicher, dass kein unbeabsichtigter Motorstart während des Einbaus ausgeführt werden kann!
- Veränderungen oder Manipulationen am Veratronprodukt können die Sicherheit beeinflussen. Es darf deshalb nicht verändert oder manipuliert werden!
- Beim Aus-/Einbau von Sitzen, Abdeckungen o. ä. darauf achten, dass Sie keine Leitungen beschädigen oder Steckverbindungen lösen!
- Alle Daten von anderen installierten Geräten mit flüchtigen elektronischen Speichern notieren.

## WÄHREND DES EINBAUS BEACHTEN

- Achten Sie beim Einbau darauf, dass die Komponenten des Produkts die Fahrzeugfunktionen nicht beeinflussen oder behindern und selbst nicht beschädigt werden!
- Bauen Sie nur unbeschädigte Teile in ein Fahrzeug ein!
- Achten Sie beim Einbau darauf, dass durch das Produkt der Sichtbereich nicht beeinträchtigt wird und das Produkt nicht im Kopfaufschlagbereich des Fahrers und Beifahrers positioniert wird!
- Den Einbau des Produktes sollten Sie von einem darauf spezialisierten Fachmann ausführen lassen. Wenn Sie den Einbau selbst vornehmen, tragen Sie geeignete Arbeitskleidung. Tragen Sie keine weite Kleidung. Sie kann von beweglichen Teilen erfasst werden. Tragen Sie bei langen Haaren ein Haarnetz. Bei Arbeiten an der Bordelektrik keinen metallischen oder leitfähigen Schmuck wie Ketten, Armbänder, Ringe etc. tragen.
- Falls notwendige Arbeiten am laufenden Motor erforderlich sind, besondere Vorsicht walten lassen. Tragen Sie nur entsprechende Arbeitskleidung, da Verletzungsgefahr durch Quetschungen und Verbrennungen besteht. Vor Beginn der Arbeiten ist der Minuspol der Batterie abzuklemmen, da sonst Kurzschlussgefahr besteht. Wenn das Fahrzeug über Zusatzbatterien verfügt, müssen ggf. auch die Minuspole dieser Batterien abgeklemmt werden! Kurzschlüsse können Kabelbrände, Batterieexplosionen und Beschädigungen von anderen elektronischen

## SICHERHEITSHINWEISE

Systemen verursachen. Bitte beachten Sie, dass beim Abklemmen der Batterie alle flüchtigen elektronischen Speicher ihre eingegebenen Werte verlieren und neu programmiert werden müssen.

- Lassen Sie bei Bootsmotoren vor Beginn der Arbeiten im Motorraum bei Benzinmotoren den Motorraumlüfter laufen.
- Achten Sie auf den Verlauf von Leitungen oder Kabelsträngen, um diese bei Bohr- und Sägearbeiten nicht zu beschädigen!
- Den Einbauort nicht im mechanischen und elektrischen Airbag-Bereich wählen!
- Bohrungen und Einbauöffnungen nicht in tragende oder stabilisierende Streben oder Holme anbringen!
- Bei Arbeiten unter dem Fahrzeug, dieses nach Vorschrift des Fahrzeugherstellers sichern.
- Beim Einbauort auf den nötigen Freiraum hinter den Bohrungen oder der Einbauöffnung achten. Notwendige Einbautiefe 65 mm.
- Einbauöffnungen klein vorbohren, mit Konusfräser, Loch-, Stichsäge oder Feile gegebenenfalls vergrößern und fertig stellen. Kanten entgraten. Unbedingt die

Sicherheitshinweise der  
Handwerkzeughersteller beachten.

- Bei notwendigen Arbeiten ohne Spannungsunterbrechung darf nur mit isoliertem Werkzeug gearbeitet werden.
- Benutzen Sie zum Messen von Spannungen und Strömen im Fahrzeug/ Maschine bzw. Schiff nur dafür vorgesehene Multimeter oder Diodenprüflampen. Die Benutzung herkömmlicher Prüflampen kann die Beschädigung von Steuergeräten oder anderer elektronischer Systeme zur Folge haben.
- Die elektrischen Ausgänge des Anzeigegerätes und daran angeschlossene Kabel müssen vor direkter Berührung und Beschädigung geschützt werden. Dazu müssen die verwendeten Kabel eine ausreichende Isolation bzw. Spannungsfestigkeit besitzen und die Kontaktstellen berührungssicher sein.
- Auch die elektrisch leitenden Teile der angeschlossenen Verbraucher sind durch entsprechende Massnahmen vor direkter Berührung zu schützen. Das Verlegen metallisch blanker Kabel und Kontakte ist nicht zulässig.

## NACH DEM EINBAU BEACHTEN

- Massekabel an den Minuspol der Batterie fest anklemmen.
- Werte der flüchtigen elektronischen Speicher neu eingeben/programmieren.

- Prüfen Sie alle Funktionen.
- Zur Reinigung der Komponenten nur klares Wasser verwenden. IP-Schutzarten (IEC 60529) beachten.

## ELEKTRISCHER ANSCHLUSS

- Kabelquerschnitt beachten!
- Eine Verringerung des Kabelquerschnitts führt zu einer höheren Stromdichte. Dies kann zu einer Erhitzung des betreffenden Kabelabschnitts führen!
- Bei der elektrischen Kabelverlegung benutzen Sie vorhandene Kabelkanäle und Kabelstränge, führen Sie die Kabel jedoch nicht parallel zu Zündkabeln oder parallel zu Kabeln, die zu grossen Stromverbrauchern führen.
- Fixieren Sie die Kabel mit Kabelbindern oder Klebeband. Führen Sie die Kabel nicht über

bewegliche Teile. Kabel nicht an der Lenksäule befestigen!

- Achten Sie darauf, dass die Kabel keinen Zug-, Druck- oder Scherkräften ausgesetzt sind.
- Wenn die Kabel durch Bohrungen geführt werden, schützen Sie die Kabel mittels Gummitüllen oder ähnlichem.
- Benutzen Sie zum Abisolieren der Kabel nur eine Abisolierzange. Stellen Sie die Zange so ein, dass keine Litzen beschädigt oder abgetrennt werden.
- Verlöten Sie neu zu schaffende Kabelverbindungen nur im Weichlötverfahren

## SICHERHEITSHINWEISE

oder verwenden Sie handelsübliche Quetschverbinder!

- Nehmen Sie Quetschverbindungen nur mit einer Kabelquetschzange vor. Achten Sie auf die Sicherheitshinweise der Handwerkzeughersteller.
- Isolieren Sie freigelegte Litzen so, dass keine Kurzschlüsse entstehen können.
- **Achtung:** Kurzschlussgefahr durch fehlerhafte Verbindungsstellen oder beschädigte Kabel.
- Kurzschlüsse im Bordnetz können Kabelbrände, Batterieexplosionen und Beschädigungen anderer elektronischer Systeme verursachen. Deshalb müssen alle

Verbindungen der Spannungsversorgung mit verschweisbaren Stossverbindern versehen und ausreichend isoliert sein.

- Achten Sie besonders auf einwandfreie Masseverbindungen.
- Falschanschlüsse können zu Kurzschlüssen führen. Schliessen Sie die Kabel nur entsprechend dem elektrischen Anschlussplan an.
- Bei Betrieb des Gerätes an Netzteilen beachten Sie, dass das Netzteil stabilisiert sein muss und den folgenden Normen entsprechen muss: DIN EN 61000- Teil 6-1 bis 6-4.

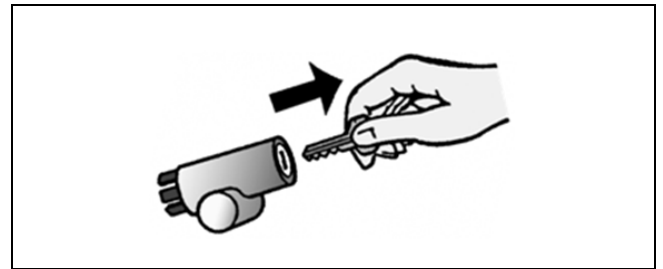
# INSTALLATION

## ⚠️ WARNUNG

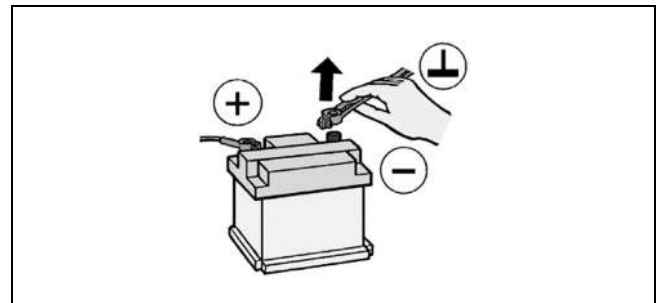
Bevor Sie beginnen, klemmen Sie den Minuspol der Batterie ab, sonst riskieren Sie einen Kurzschluss. Wenn das Fahrzeug von Zusatzbatterien versorgt wird, müssen Sie auch die Minuspole dieser Batterien abklemmen! Kurzschlüsse können Brände, Batterieexplosionen und Schäden an anderen elektronischen Systemen verursachen. Bitte beachten Sie, dass beim Abklemmen der Batterie alle flüchtigen elektronischen Speicher ihre Eingabewerte verlieren und neu programmiert werden müssen.

### VOR DER INSTALLATION

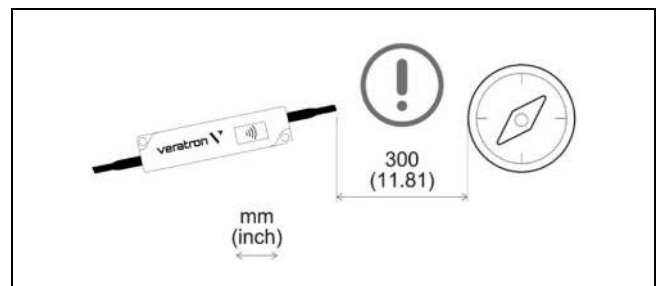
1. Vor Beginn der Arbeiten die Zündung ausschalten und den Zündschlüssel abziehen. Ggf. den Hauptschalter trennen.



2. Den Minuspol der Batterie abklemmen und gegen versehentliches Wiederverbinden sichern.



3. Mindestabstand von 300mm zum nächsten Magnetkompass einhalten.



**PINBELEGUNG**

**SENSOREN-SEITE**

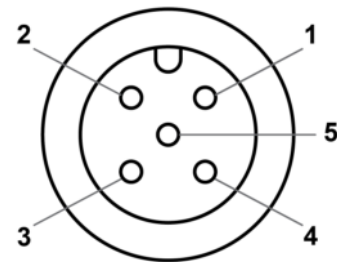
Pin Nr.	Kabelfarbe	Beschreibung
1	Schwarz	Masse
2	Blau	Signal
3	Rot	5V-Ausgang (max. 15 mA)



AMP Super Seal 3-polig  
Männlich

**NMEA 2000 SEITE**

Pin Nr.	Beschreibung
1	Abschirmung
2	NET-S (V+)
3	NET-C (V-)
4	NET-H (CAN High)
5	NET-L (CAN Low)



Micro-C M12 5-poliger Stecker  
Männlich, Seitenansicht des Produkts

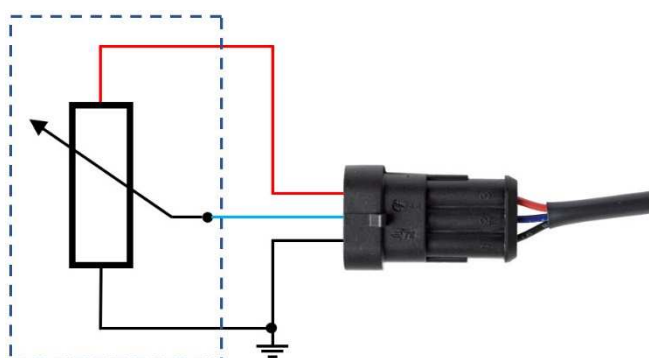
**ANSCHLIESSEN EINES SENSORS**

Wenn möglich, den vorhandenen Sensorstecker verwenden. Wenn der verwendete Sensor kein passendes Gegenstück hat und es nicht möglich ist, einen solchen Stecker anzubringen, schneiden Sie einfach den LinkUps-Stecker ab und montieren stattdessen den benötigten Verbinder. Beachten Sie dazu die Pinbelegung oben.

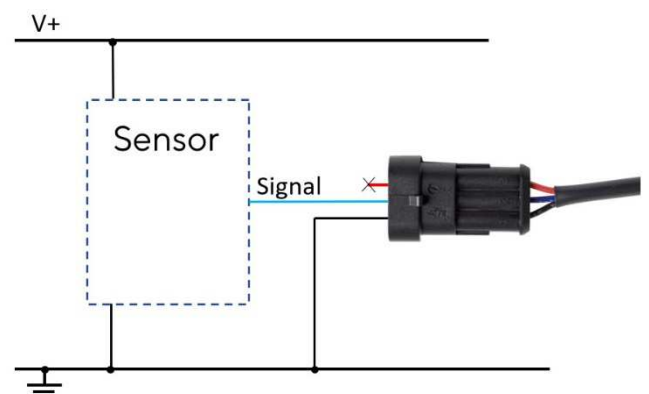
Das LinkUp Gateway liefert eine 5V-Versorgungsspannung, die zur Versorgung eines passiven Sensors verwendet werden kann. Beachten Sie, dass der Stromausgang nicht mehr als 15 mA Strom liefern kann.

Falls Sie einen aktiven Sensor verwenden, stellen Sie sicher, dass dieser keine Signale über 5 V liefert.

**Anschluss - passiver Sensor**



**Anschluss - aktiver Sensor**



## ANSCHLUSS AN DAS NMEA 2000® NETZ

Sobald die Sensorinstallation abgeschlossen ist, können Sie das LinkUp-Gateway über den entsprechenden Stecker mit dem NMEA 2000®-Backbone verbinden.

Achten Sie darauf, dass Sie den M12-Stecker fest auf sein Gegenstück schrauben um die Wasserdichtigkeit erhalten bleibt.

Ein weiteres Verbindungskabel wird nicht benötigt, es sei denn, die Gesamtlänge des LinkUp-Geräts reicht nicht aus, um den NMEA 2000® Backbone zu erreichen. In diesem Fall ist es möglich, die Gesamtlänge durch die Verwendung eines Drop-Kabels aus dem Zubehör zu verlängern.

Bitte beachten Sie, dass NMEA 2000® keine Verbindungskabel erlaubt, die länger als 6 Meter sind.

Beachten Sie den NMEA 2000®-Standard für eine korrekte Netzwerkgestaltung.

Wenn Strom aus dem NMEA 2000®-Netzwerk empfangen wird, beginnt die grüne LED am LinkUp-Gehäuse zu blinken (siehe "LED-Benachrichtigungen").



## LISTE DER UNTERSTÜTZTEN SENSOREN

- Kraftstofffüllstand
- Frischwasserfüllstand
- Abwasserstand
- Trimmung
- Ruderlage
- Kühlmitteltemperatur
- Ladedruck
- Motoröltemperatur
- Motoröldruck
- Getriebeöldruck
- Getriebeöltemperatur
- Trimmklappen

\* Die Liste der unterstützten Sensoren kann jederzeit aktualisiert werden. Stellen Sie sicher, dass Sie immer die neueste Version der LinkUp Configurator App verwenden.

# KONFIGURATION

## LINKUP-KONFIGURATOR APP

Um den Sensor zu konfigurieren, müssen einige Parameter wie der Sensortyp, seine Kalibrierung oder die Schwellwerte für die Warnung in das LinkUp-Gateway eingegeben werden.

Dies ist über die Smartphone-App "Link Up Configurator" möglich, die kostenlos in den Stores von Android- und iOS-Geräten heruntergeladen werden kann.

Eine einfache Erklärung des Konfigurationsprozesses ist auch als In-App-Anleitung verfügbar.

Dank des passiven eingebetteten NFC-Empfängers kann das LinkUp-Gateway, wie unten beschrieben, ohne Stromversorgung konfiguriert werden.



### LINK UP CONFIGURATOR



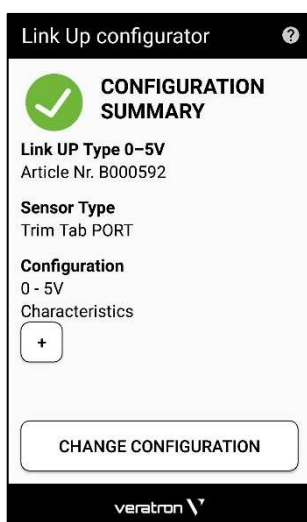
## KONFIGURATION EINES SENSORS



1. Starten Sie die App "Link Up Configurator" und lesen Sie die aktuelle Konfiguration des Link Up-Geräts aus, indem Sie das Smartphone auf den Link Up-Funkbereich "tippen" (gekennzeichnet durch das NFC-Symbol)  
Das Auslesen ist notwendig, bevor Sie neue Konfigurationen auf das LinkUp schreiben können.

HINWEIS: Die Position der Antenne auf dem Smartphone hängt vom jeweiligen Modell ab.

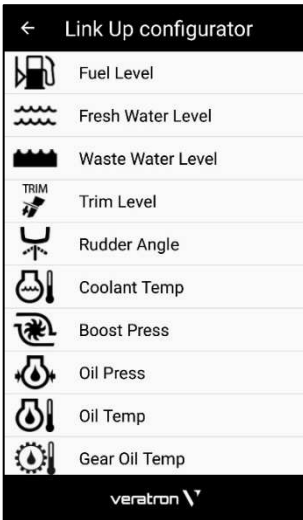
Bitte beachten Sie das Handbuch des Smartphone-Herstellers.



2. Nach dem Auslesen zeigt die App die "CONFIGURATION SUMMARY" an, die alle aktuellen Einstellungen des Geräts präsentiert.

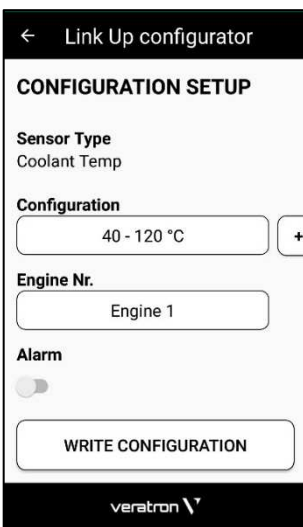
Um die genaue Sensorkurve zu sehen, die zuvor auf dem LinkUp Gateway eingespeichert war, drücken Sie die Taste mit dem Plus. Dadurch wird eine weitere Tabelle mit den Sensorpunkten geöffnet.

Um die Konfiguration zu ändern, drücken Sie die Schaltfläche "CHANGE CONFIGURATION".



3. Wählen Sie den zu konfigurierenden Sensortyp aus der in der App angezeigten Liste aus (z. B. Fuel Level).

Im Abschnitt "Unterstützte Konfigurationen" weiter unten finden Sie alle möglichen Optionen.



4. Wählen Sie entweder eine der vorgeschlagenen Standard-Sensorkurven oder definieren Sie Ihre eigene Kennlinie, indem Sie die Option "CUSTOM" wählen.

Um die Fixpunkte der zuvor definierten Sensorkurve zu sehen, drücken Sie die kleine Taste mit dem Plus.

Legen Sie fest, für welche Motor- oder Tanknummer die Messwerte gelten, damit die Daten korrekt an das NMEA-Netzwerk gesendet werden.

Für einige Sensoren (siehe Liste unten) kann auch ein Alarm mit dem entsprechenden Schwellwert eingestellt werden. Das Feld zur Eingabe des Schwellwerts erscheint nach der Aktivierung des Schalters "Alarm".

Sobald die Einstellungen abgeschlossen sind, drücken Sie die Taste "WRITE CONFIGURATION", um die Übertragung an das Gateway-Gerät vorzubereiten.



5. Um die Konfiguration hochzuladen, "tippen" Sie das Smartphone einfach erneut auf den LinkUp NFC-Bereich, wie schon in Schritt 1 beschrieben.

Die Konfiguration wird sofort auf das Gerät übertragen, und die neue "COFIGURATION SUMMARY" wird angezeigt.

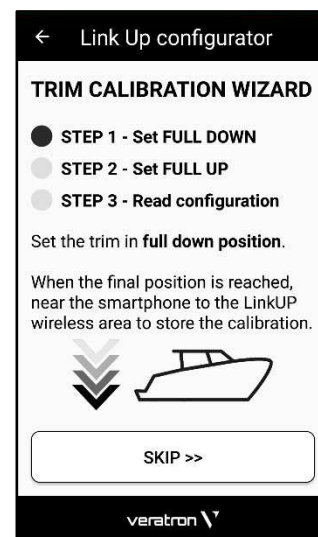
## TRIM KONFIGURATIONS-ASSISTENT

Für die Sensortypen Trimmung und Trimmklappen gibt es einen zusätzlichen Konfigurationsprozess.

Statt eine Standardkurve zu wählen oder die passenden Werte manuell in die Tabelle zu schreiben, ist es hier auch möglich, den Konfigurationsassistenten zu verwenden.

Das LinkUp Gateway muss dafür bereits an den Sensor angeschlossen sein. Dann sollen die folgenden Anweisungen befolgt werden:

- Die aktuelle Konfiguration **auslesen**, indem das Smartphone auf die NFC-Schnittstelle gehalten wird und den entsprechenden Sensortypen wählen. (Nur Trimm und Trimmklappen möglich)
- **[CALIBRATE]** drücken, statt eine Sensorkurve auszuwählen.
- Den Motor nach **ganz unten** bringen.
- Das Smartphone nochmals mit dem LinkUp **verbinden**, damit der aktuelle Sensorwert als Ende des Messbereichs gespeichert wird.
- Den Motor ganz **nach oben** bringen.
- Das Smartphone nochmals mit dem LinkUp **verbinden**, damit der aktuelle Sensorwert als oberes Ende des Messbereichs gespeichert wird.
- Um die soeben eingespeicherte Sensorkurve zu kontrollieren, das Smartphone erneut mit dem LinkUp verbinden. Es wird die Kurve angezeigt.
- Nun kann auch die Motorinstanz wie gewöhnlich definiert werden.



Es ist nicht nötig, immer beide Messungen durchzuführen. Wenn ein Ende des Messbereichs bereits aus einer früheren Konfiguration bekannt ist, kann einfach [SKIP] gedrückt werden, wenn der Assistent Sie dazu auffordert, den Motor in die entsprechende Position zu bringen.

## UNTERSTÜTZTE KONFIGURATIONEN

Sensor-Typ	Alarm verfügbar	NMEA 2000® PGN
Kraftstoffstand	Nein	127505
Frischwasserfüllstand	Nein	127505
Abwasserstand	Nein	127505
Trimmung	Nein	127488
Ruderlage	Nein	127245
Kühlmitteltemperatur	Ja	127489
Ladedruck	Ja	127488
Motoröldruck	Ja	127489
Motoröltemperatur	Ja	127489
Getriebeöldruck	Ja	127493
Getriebeöltemperatur	Ja	127493
Trimmklappen	Nein	130576

\* Die unterstützten Konfigurationen können jederzeit aktualisiert werden. Bitte stellen Sie sicher, dass Sie immer die neueste Version der LinkUp Configurator App verwenden.

## LED-BENACHRICHTIGUNGEN

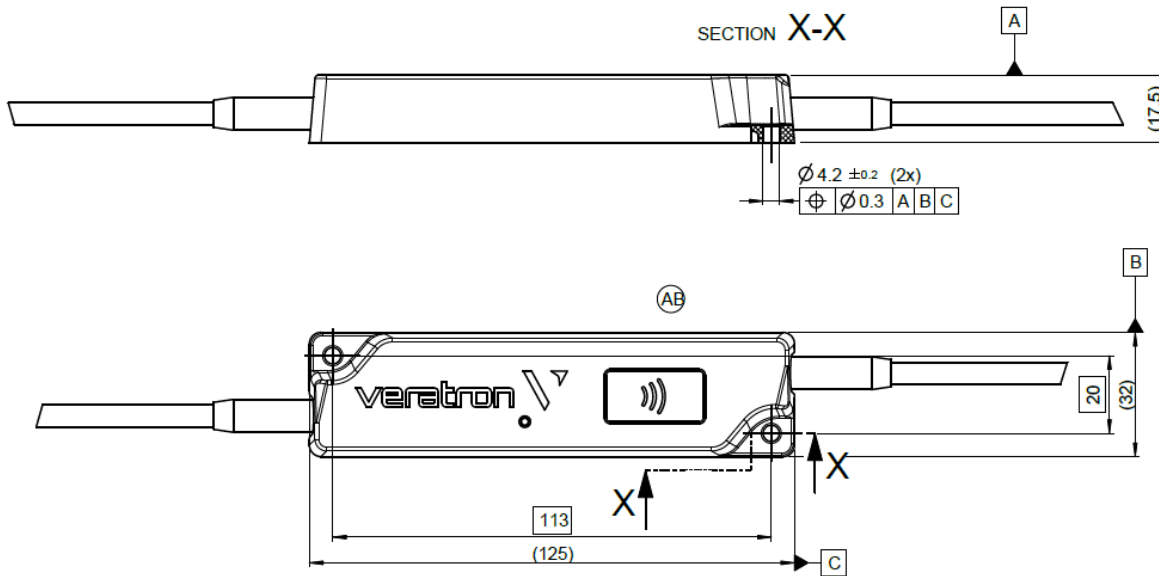
LED-Verhalten	Beschreibung
AUS	Gerät nicht eingeschaltet.
ON	Gerät konfiguriert und in Betrieb.
Langsames Blinken (1Hz)	Gerät in Betrieb mit ungültiger oder leerer Konfiguration. Wartet auf die Konfiguration durch den Benutzer (Werkseinstellung). NMEA 2000®-Meldungen werden NICHT übertragen.
Schnelles Blinken (2,5 Hz)	Analogwert des Sensors ausserhalb des Messbereichs. NMEA 2000®-Meldungen werden als "ungültig" eingestuft.
Sehr schnelles Blinken (10Hz)	Gerätekonfiguration nach drahtlosem Download im Gange.

# TECHNISCHE DATEN

## DATENBLATT

<b>Betriebsspannung</b>	6 - 16.5 V
<b>Nennspannung</b>	12 V (vom NMEA 2000®-Netzwerk)
<b>Stromverbrauch</b>	≤ 100 mA
<b>NMEA 2000® LEN</b>	2
<b>Messbereich</b>	0 - 5.0 V
<b>Maximale Eingangsspannung</b>	6.0 V
<b>Maximaler Strom am 5V-Ausgang</b>	15 mA
<b>Schutzklasse</b>	IP X9/K (wenn angeschlossen)
<b>Betriebstemperatur</b>	-30°C bis 80°C
<b>Entflammbarkeit</b>	UL94-HB
<b>Länge des Sensorkabels</b>	25 cm
<b>NMEA 2000® Kabellänge</b>	25 cm
<b>Sensor-Stecker</b>	TE AMP SuperSeal 1.5 3 Pins - Männlich 282105-1
<b>Sensorstecker - Gegenstück</b>	(nicht enthalten) TE AMP SuperSeal 1.5 3 Pins - Weiblich 282087-1
<b>NMEA 2000®-Stecker</b>	DeviceNet Micro-C M12 5 Pins - Stecker

ABMESSUNGEN



UNTERSTÜTZTE NMEA 2000® PGNS

Beschreibung	PGN
ISO Address Claim	60928
ISO Request	59904
ISO Transport Protocol, Data Transfer	60160
ISO Transport Protocol, Connection Management	60416
ISO Acknowledgment	59392
NMEA - Request group function	126208
Heartbeat	126993
Configuration Information	126998
Product Information	126996
PGN List - Received PGNs group function	126464
Rudder	127245
Fluid Level	127505
Engine Parameters, Rapid Update	127488
Engine Parameters, Dynamic	127489
Transmission Parameters, Dynamic	127493
Trim Tab Status	130576



veratron AG  
Industriestrasse 18  
9464 Rüthi, Schweiz

T +41 71 7679 111  
info@veratron.com  
veratron.com

---

Jegliche Verbreitung, Übersetzung oder Vervielfältigung, ganz oder teilweise, des Dokuments ist strengstens untersagt, es sei denn, es liegt eine schriftliche Genehmigung der veratron AG vor, mit Ausnahme der folgenden Massnahmen:

- Drucken des Dokuments in seinem ursprünglichen Format, ganz oder teilweise.
- Kopieren von Inhalten ohne Änderungen und unter Angabe der Veratron AG als Urheberin.

Veratron AG behält sich das Recht vor, ohne Vorankündigung Änderungen oder Verbesserungen an der entsprechenden Dokumentation vorzunehmen.

Anfragen zur Autorisierung, zu zusätzlichen Kopien dieses Handbuchs oder zu technischen Informationen über dieses Handbuch müssen an die veratron AG gerichtet werden.