

Dover

User Manual

VRH-DOVER-30GS



Vesta

Simple Kitchen Solutions

Dear Customer,

If you follow the recommendations contained in this Instruction Manual, our appliance will give you constant high performance and will remain efficient for many years to come.

CONTENTS

WARNING

CHARACTERISTICS

INSTALLATION & USE

MAINTENANCE&CLEAN

WARNING



TO REDUCE THE RISK OF FIRE, ELECTRIC SHOCK OR INJURE TO PERSONS, PLEASE OBSERVE THE FOLLOWINGS:

- 1 . Installation work and electric wiring(including switch location) must be done by the qualified person(s) in accordance with local applicable codes and standards, including fire-rated construction.
- 2 . This hood may have sharp edges. Be careful to avoid cuts and abrasions during installation and cleaning.
- 3 . The hood must be placed at a minimum distance of 65cm from the cook panel.
- 4 . Sufficient air is needed for proper combustion and exhausting of gases through the chimney of fuel burning equipment to prevent back drafting. Follow the heating equipment manufacturer's guideline and safety standards such as those published by the National Fire Protection Association, and the American Society for Heating, Refrigeration and Air Conditioning Engineer(ASHRAE), and the local code authorities.
- 5 . Ducted fans must always be vented to the outdoors.
- 6 . This appliance is design to be operated by adults. Children were not allowed to temper with the controls or play with this appliance.
- 7 . To reduce the risk of fire or electric shock, do not use this fan with any solid-state speed control device.
- 8 . When cutting or drilling into wall or ceiling, do not damage electrical wiring and other hidden utilities.

**WARNING-TO REDUCE THE RISK OF FIRE,USE ONLY THE METAL DUCTWORK.
WARNING - TO REDUCE THE RISK OF INJURY TO PERSONS IN THE EVENT OF
A RANGE TOP FIRE,OBSERVE THE FOLLOWING:**

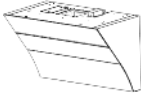

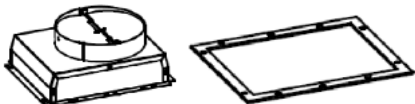





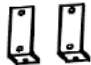


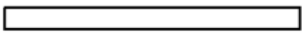
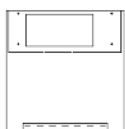
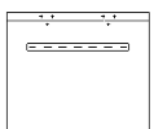
1. SMOTHER FLAMES with a close-fitting lid,cookie sheet,or metal tray, then turn off the burner, BE CAREFUL TO PERVENT BURNS.If the flames do not go out immediately, EVACUATE AND CALL THE FIRE DEPARTMENT.
2. NEVER PICK UP A FLAMING PAN-You may be burned.
3. DO NOT USE WATER,including wet dishcloths or towels- a violent steam explosive will result.
4. Use an extinguisher ONLY if:
 - 1) You know you have a Class ABC extinguisher, and you already know how to operate it;
 - 2) The fire is small and contained in the area where it started;
 - 3) The fire department is being called;
 - 4) You can fight the fire with your back to an exit.

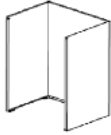
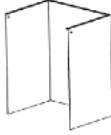




WARNING-TO REDUCE THE RISK OF A RANGE TOP GREASE FIRE:

1. Never leave surface units unattended at high settings. Boilovers cause smoking and greasy spillovers that may ignite. Heat oils slowly on low or medium settings.
2. Always turn hood ON when cooking at high heat or when flambeing food (i.e. Crepes Suzette, Cherries Jubilee, Peppercorn Beef Flambe').
3. Clean ventilating fans frequently. Grease should not be allowed to accumulate on fan or filter.
4. Use proper pan size. Always use cookware appropriate for the size of the surface element.

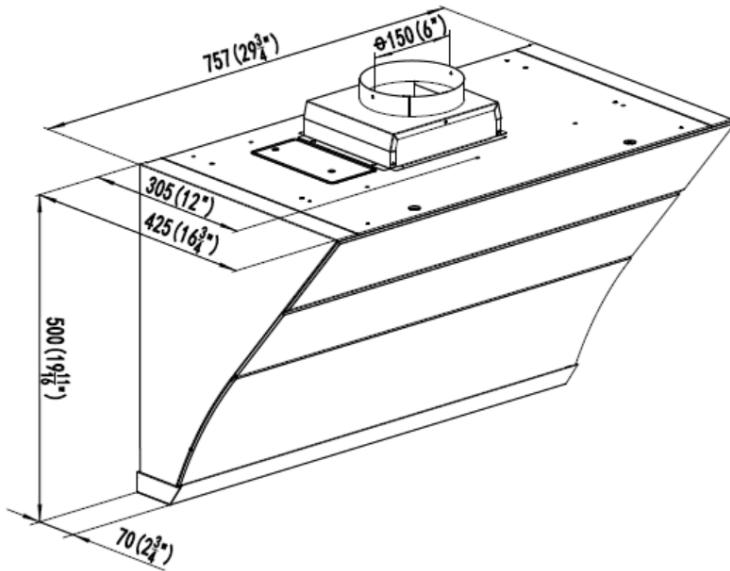
CHARACTERISTICS

Packing list

Standard Configuration			
<p>Product</p> 	1	<p>Fixing hood body bracket screws ST5X80 (decorative wall)</p> 	6
<p>Air outlet base and seal pad</p> 	1	<p>Fixing hood body bracket screws ST4.8X40 (wooden wall)</p> 	6
<p>Oil cup</p> 	1	<p>Fixing hood under the cabinet, M4X45 screws</p> 	4
<p>Hood body bracket</p> 	1	<p>Fixing air outlet base, M4X10 screws</p> 	4
<p>Duct bracket</p> 	2	<p>Fixing hood under the cabinet, screws pad</p> 	4
<p>Foot pad(the bottom and rear of hood)</p> 	2	<p>aluminum foil tape</p> 	1
<p>Installation paper template(under cabinet)</p> 	1	<p>Installation paper template(on the wall)</p> 	1

Housing Assembly Accessories (optional)			
Outer decorative cover 	1	Inside decorative cover 	1
The fixing bracket used to fix inside decorative cover 	2	M4x10 screws used to fix the decorative cover 	7
Fixing decorative cover bracket screws ST5X80 (decorative wall) 	4	Fixing decorative cover bracket screws ST4.8X40 (wooden wall) 	4

Dimensions



INSTALLATION&USE

NOTE: on the stainless hoods, carefully remove the plastic protective film from exterior of the surfaces of the hood prior to final installation.

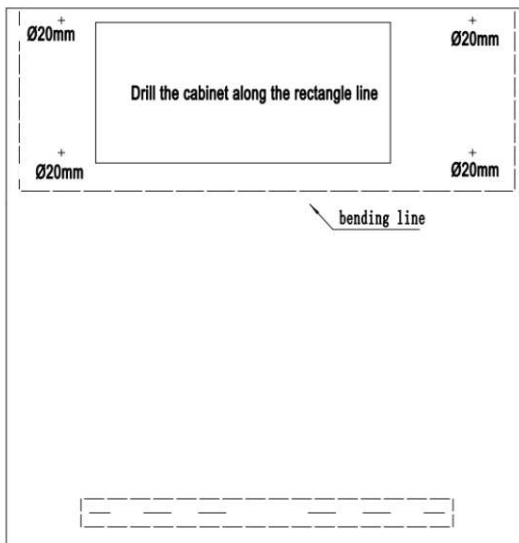
Caution:To Reduce Risk of Fire And Electric Shock, Install This range hood only with integral Blowers by qualified person or agency.

Warning: to avoid the risk of fire, use only the metal duct work .

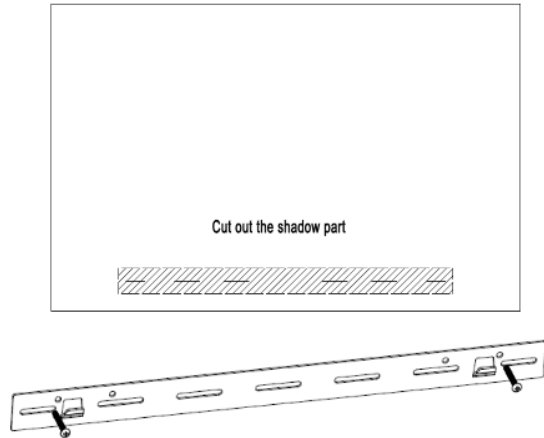
Install under cabinet

Warning: If need drill holes on the wall, need locate the wooden beam firstly. The hole can only penetrate the decorative layers, not the wood inside the wall.

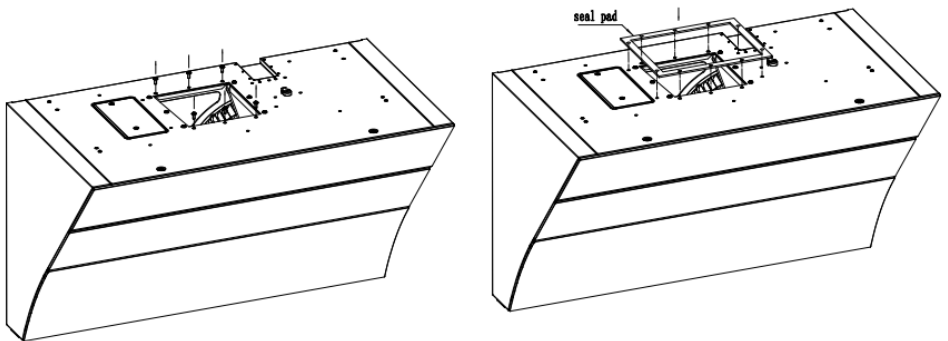
1.Attach the mounting board to the wall and the bottom of the cabinet along the rectangle line.Drill the cabinet along the rectangle line and drill four holes on the cabinet.



2. Cut out the shadow part on the mounting board, and then put the bracket into the rectangular hole you just cut out, and fix it to the wall with 4 screws (if the wooden wall, use ST4.8X10 screws; If the wall has tile, stone and other decorative layers, drill two 8mm holes firstly and then use ST5X80 screws). After fixing the bracket, tear off the mounting board.



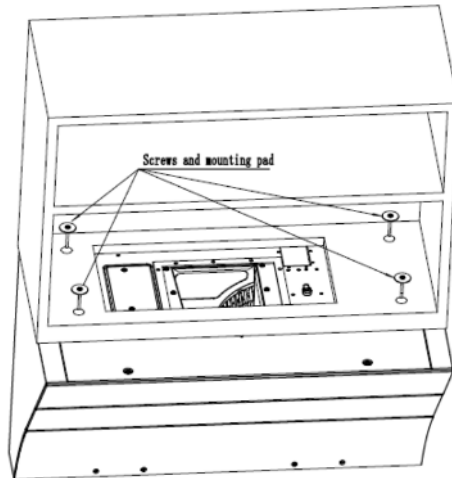
3. Release the six screws and then stick the seal pad.



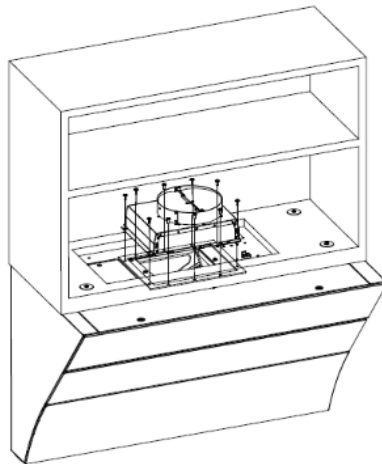
4. Lift and position the hood onto the brackets at the bottom of the backside while keeping an angle between the wall and the hood, and then push the hood against the wall tightly.

5. Fix the range hood to the bottom of the cabinet using four long screws (M4×45) and mounting spacers inside the cabinet.

Warning: Before the screw is screwed, the hood should be supported to avoid toppling.



6. Use ten screws to fix the air outlet like the picture. Remove the tape attached to the blade after installation. Then use the aluminum tape to connect the duct and air outlet.



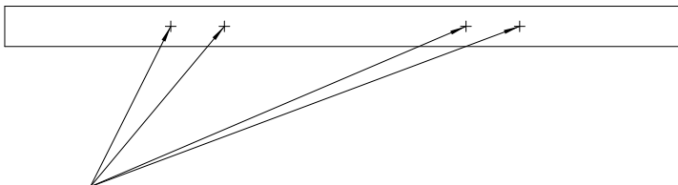
7. Make sure the hood is leveled. Install the grease Cup, and plug in the appliance for a test run.

Warning:Please wear the qualified protective gloves in operation. Please run the machine and test if the smoke pipe leaks air after it is sealed with aluminum foil tape. The smoke pipe should be able to be straightened as much as possible.

Install on the wall

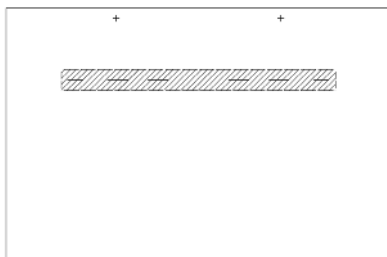
Warning: If need drill holes on the wall, need locate the wooden beam firstly. The hole can only penetrate the decorative layers, not the wood inside the wall.

1. Cut the mounting paper along the dotted line. Attach the mounting board to the wall and drill holes(if wooden wall,don't need to drill holes). Install the top of the paper to align the ceiling.if no second air duct, ignore this mounting board.

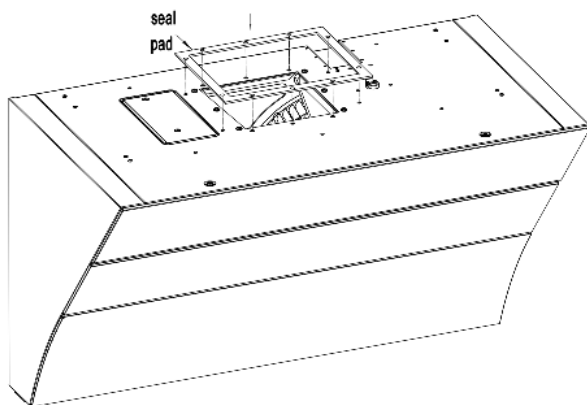
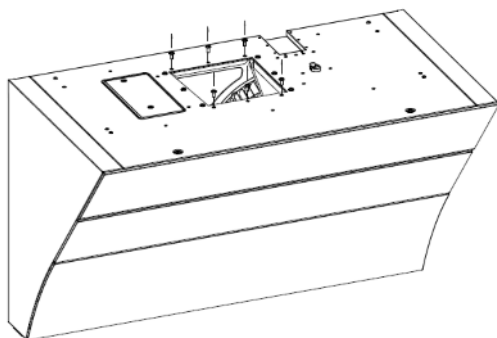


drill four $\varnothing 8\text{mm}$ holes; if the wall don't have decorative layers, no need drill holes.

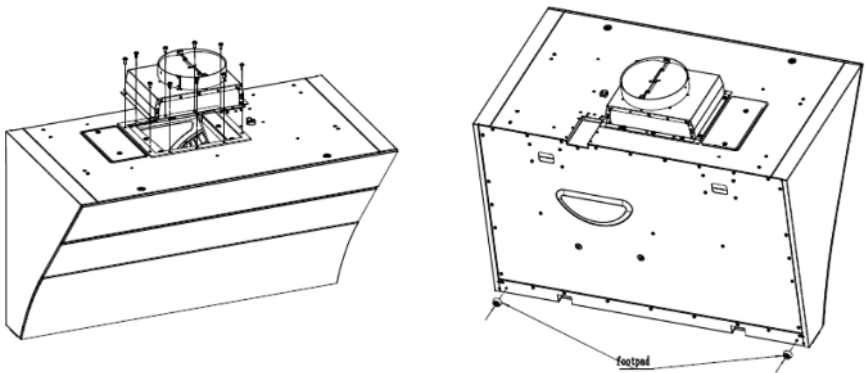
2.The mounting paper bottom distance from the stove top 450mm-500mm. Cut out the shadow part in the mounting board and then put the hanger into the rectangular hole.Fix it to the wall with 4 screws(if the wooden wall, use ST4.8X10 screws; If the wall has tile, stone and other decorative layers, drill two 8mm holes firstly and then use ST5X80 screws).



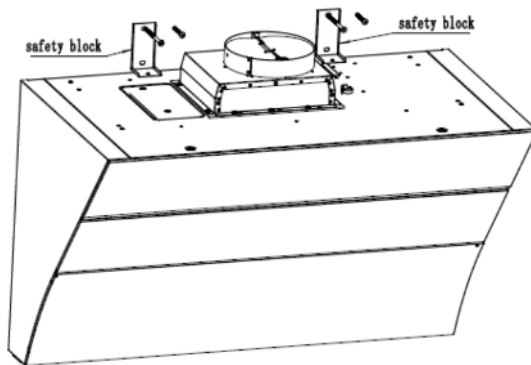
3. Release the six screws and then stick the seal pad.



4. Fix the air outlet and mounting the foot pad on the rear of the hood.

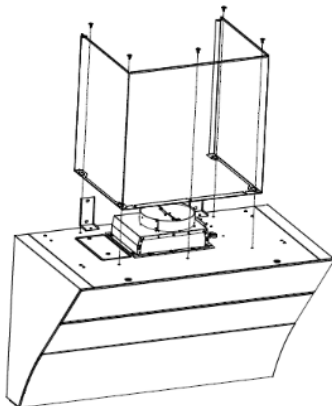


5. Lift and position the hood onto the hangers. Fix the safety block on the wall. Use the different screws according to the different material wall.

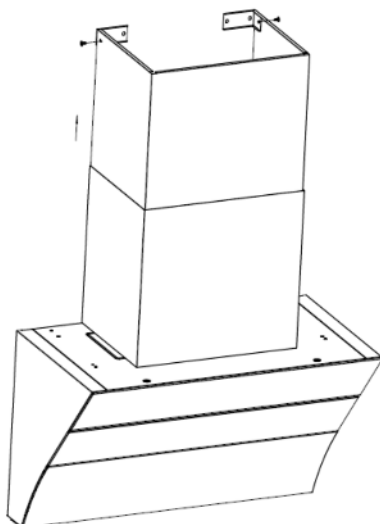


6. Connect the duct and air outlet, then use aluminum foil tape to seal them. Plug in the appliance for a test run.

7. Use five M4x10 screws to fix the first air duct cover. Before fixing the first one, the second air duct cover should be placed inside the first air duct cover.

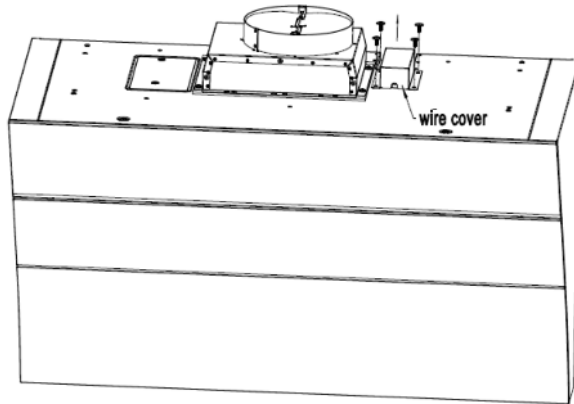


8. Use screws (if wooden wall, use ST4.8X40, if the wall has decorative layers, use ST5X80 screws) to fix the two brackets on the wall. Lift the second air duct cover and then fix it with the brackets from the two sides by M4x10 screws.



Connect the power cable

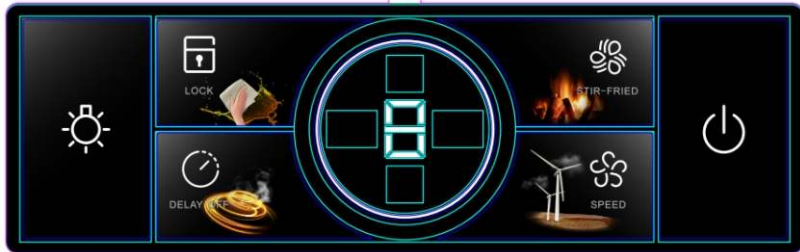
1. Release the four screws and take off the wire cover. Release the two wire clamp fixing screws, connect the wires and insulate the wiring effectively.



2. At last, use screws to fix the wire clamp and wire cover.

Operation

The hood panel:



(1) **The light key:** Press the key to turn on or turn off the light

(2) **Lock key:** Keep touch the lock key for 2 seconds and the panel will be locked, at this time pressing any button will be invalid, and then press and hold for 2S to cancel the lock screen, and the glass door will automatically close, or it will cancel the lock screen automatically half an hour later, and the glass door will close automatically. When the motor is working, the lock key is invalid.

(3) **Delay off key:** Touch this key when the hood is working, the hood will be turned off 3mins later; touch the key again to turn off the delay off function.

(4) **STIR- FRIED:** Touch this key to choose the top speed; touch the key again to return to the original speed, or it can return automatically 3mins later.

(5) **SPEED:** Touch this key to choose the 3 different speeds.

(6) **Power:** Touch this key, the screen is lighted and the glass is open. If there is no operation within 5 minutes, enter the standby state, the glass door is closed. When the screen is Off, keep touch the power key for 2 seconds to start the lock key, touch 2 seconds again to cancel the lock.

(7) **Gesture sensor:** In the standby state, the hand is quickly waved from left to right, the glass door automatically opens, the light is turned on and the speed will be same with last time you choose. Wave from left to right again to choose the different speeds.

Under delay off function, wave from left to right to cancel the function.

Wave from right to left to turn off the hood.

Keep touch the light key and power key 3 seconds to start or cancel the gesture sensor function.

MAINTENANCE&CLEAN

Caution: Unplug or disconnect the appliance from the power supply before servicing.

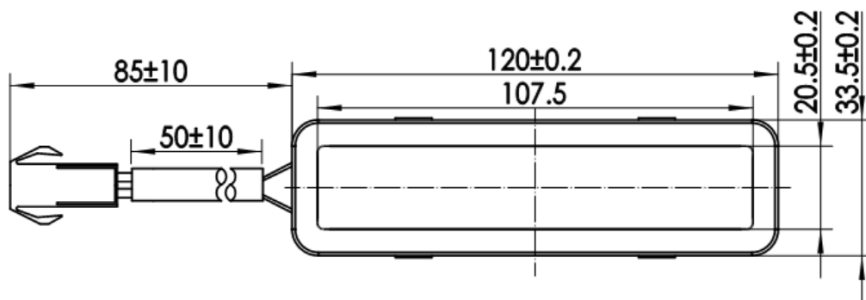
LED light

Warning: The lamp must be changed by a professional

Pry along the edge of the LED light with a tool to take off the LED.

Max Wattage:40W

Voltage:12V



HOOD CLEANING

Cleaning tips:

- * Hot water with soap or detergent is all that is usually needed.
- * Follow all cleaning by rinsing with clear water. Wipe dry with a clean, soft cloth to avoid water marks.
- * For discolorations or deposits that persist, use a non-scratching household cleanser or stainless steel polishing powder with a little water and a soft cloth.
- * For stubborn cases use a plastic scouring pad or soft bristle brush together with cleanser and water. Rub lightly in direction of polishing lines or “grain” of the stainless finish. Avoid using too much pressure that may mar the surface.
- * Do not allow deposits to remain for long periods of time.
- * Do not use ordinary steel wool or steel brushes. Small bits of steel may adhere to the surface causing rust.

* Do not allow salt solutions, disinfectants, bleaches, or cleaning compounds to remain in contact with stainless steel for extended periods. Many of these compounds contain chemicals that may be harmful. Rinse with water after exposure and wipe dry with a clean cloth.

* Painted surfaces should be cleaned with warm water and mild detergent only.

SPECIFICATIONS

MODEL NO: VRH-DOVER-30GS

Cooker Hood

120V~60Hz 2.3A

Suction power: 1000CFM

THERMALLY PROTECTED

SUITABLE FOR USE IN A HOUSEHOLD COOKING AREA.

DO NOT INSTALL LESS THAN 26 INCH ABOVE

COOKING SURFACE.

FOR RESIDENTIAL USE ONLY.

PROTECTION THERMIQUE.

APPROPRIE POUR UND UTILISATION

DANS UNE ZONE DE CUISSON

DOMESTIQUE.

INSTALLER AU MOINS 26 PO AU-DESSUS DE LA SURFACE DE

CUIEEON POUR UN USAGE RESIDENTIEL SEULEMNET.

Vesta



Intertek
3171510

CONFORMS TO UL STD. 507
CERTIFIED to CSA STD. C22.2
No. 60335-1 & 60335-2-31

CONTACT US

Dear Valued Customer,

Thank you for choosing Vesta as your preferred provider for kitchen appliances. We are committed to providing you with exceptional customer service and support.

If you require assistance with any of our products, please do not hesitate to contact us. You can reach our customer service team by choosing one of the methods below and one of our representatives will respond to you promptly.

Thank you for your business, and we look forward to serving you soon.

Phone:

905-886-5858

9:30am-5:00pm (Eastern Time), Monday to Friday, except holidays

Email:

service@vesta.kitchen

Online form:

<https://www.vesta.kitchen/service>

Sincerely,

The Vesta Service Team