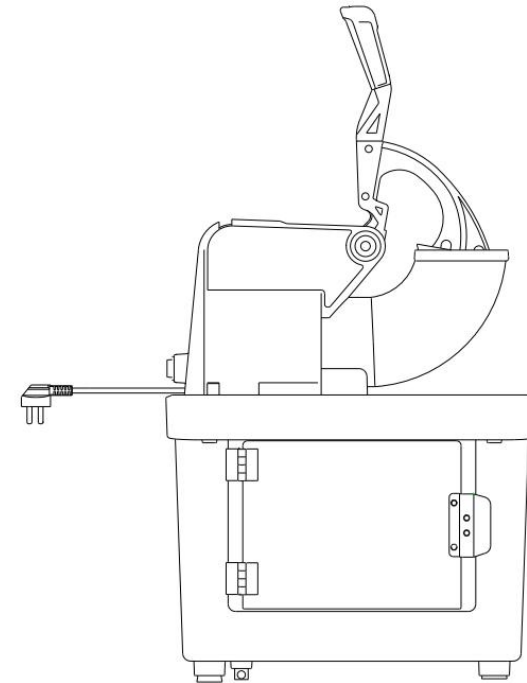


User Manual of Product 1:

VEVOR 110V Commercial Ice Crusher 440LBS/H, ETL
Approved 300W Electric Snow Cone Machine with Dual
Blades, Stainless Steel Shaved Ice Machine with Safety On/Off
Switch for Family, Restaurants, Bars

Ice Crusher

Instruction manual



Product pictures are subject to actual

It is important that you read these instructions carefully and keep it for future reference.

IMPORTANT SAFETYINSTRUCTIONS

When using electrical appliances, basic safety precautions should be followed to reduce the risk of fire, electric shock and injury to persons or property. Read all instructions before operating the machine for the first time.

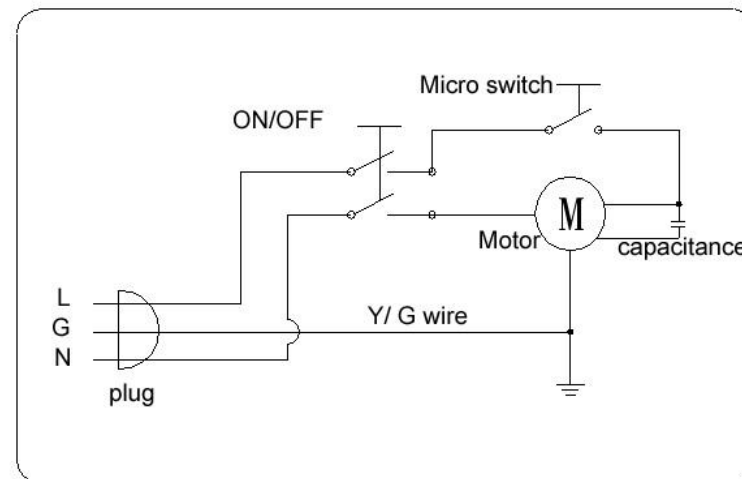
Install the machine correctly before using.

1. Keep the ice crusher and power cable away from heat sources and hot surfaces.
2. To avoid electrical shock, do not place the cord, plug or ice crusher in water or other liquids.
3. We do not recommend the use of an extension cord, as it may overheat and become a risk of fire.
4. Do not operate appliance with wet hands or operate in a wet working environment.
5. Always protect the power cable from undue flexing and wearing –do not allow the cable to hang off edge of the counter or table.
6. If the supply cord is damaged, do not use the product. Contact customer service for repair or replacement.
7. This appliance is not intended for use by persons (including children) with reduced physical, sensory or mental capabilities, or lack of experience or knowledge, unless they have been given supervision or instruction concerning use of the appliance by a person responsible for their safety.
8. Children should be supervised to ensure that they do not play with the appliance.
9. Do not move the ice crusher while it is switched on.
10. Do not leave your Professional Blender unattended when power is connected.
11. Unplug the ice crusher before cleaning or making any repairs or servicing.
NOTE: strongly recommend to repair the machine by professional technician.
12. It's forbidden to pull the cable to unplug the plug, pull the plug is a must.
13. The ice crusher is commercial machine which is intended to be used in staff kitchen areas in shops, offices and other working environments;
14. Warning: Don't use your ice crusher outdoors. Avoid direct sunlight and make sure that there is at least 15cm of space between the back and sides of your unit and the wall.
15. Do not tip the machine over.
16. The blade must be replaced by original blade.

Warning:

The blade is very sharp, operate with care.

Circuitdiagram



RoHS Illustration

Product: ice crusher							
Category	Parts	Harmful Substance					
		Pb	Hg	Cd	Cr(VI)	PBB	PBDE
Hardware	Hopper	○	○	○	○	○	○
	Screw	○	○	○	○	○	○
Electrical	Motor	○	○	○	○	○	○
	Power cord	○	○	○	○	○	○
Injection mould	Out shell	○	○	○	○	×	×
	Internal support	○	○	○	○	○	○
	Rubber feet	○	○	○	○	○	○
Package	Cable ties	○	○	○	○	○	○
	Carton	○	○	○	○	○	○
	Foam	○	○	○	○	○	○
	PE bag	○	○	○	○	○	○
	Rating Label	○	○	○	○	○	○
	Instruction Manual	○	○	○	○	○	○

Cleaning and maintenance of ice crusher

1) Cleaning of internal and external parts

Note: Unplug the power plug before performing any cleaning or maintenance procedures.
Do not use alcohol to clean the ice crusher, as this may cause plastic parts to crack.

a) exterior

Use a clean, soft cloth to wipe the outside of the ice machine at least once a week, and then use a damp cloth moistened with a neutral detergent to remove grease or other impurities.

b) Ice box cleaning (after each use)

Immerse the ice box in a mixture of neutral detergent and water for at least 3 minutes, then rinse with water and dry.

c) Hopper (after each use)

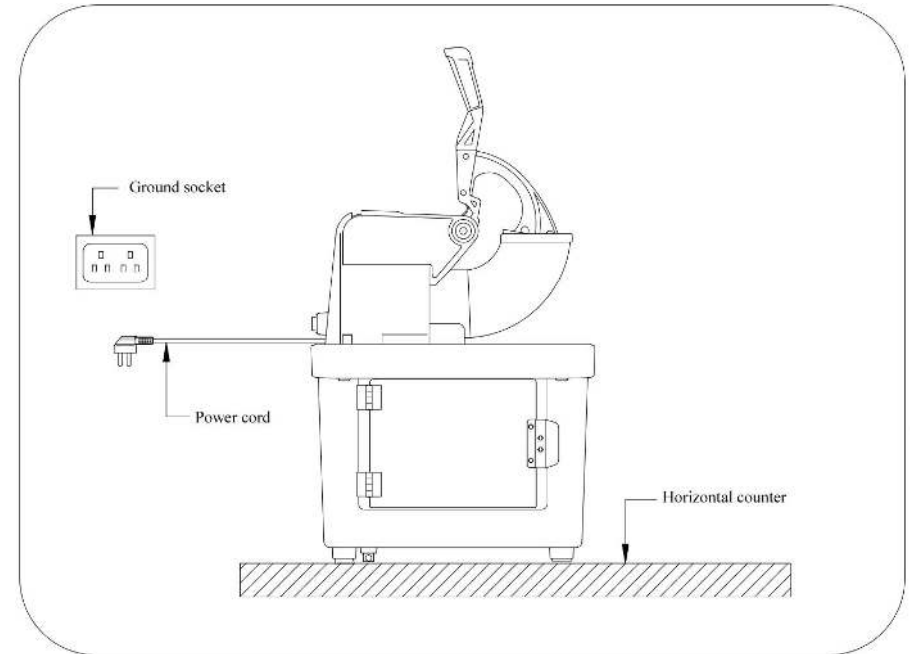
Open the handle, allow it to dry naturally, and then close it after drying. There is a sharp blade inside, operate with care.

Common malfunction analysis

Issues	Check items	Possible causes	solutions
Don't work	Power cord	Din't plug in or damaged	Plug in or replace the power cord
	Socket	Socket is out of shape	Change another socket
	Motor	Motor burnt	Replace the motor
	Power supply	Power switch damaged	Replace the switch
		Low voltage or no power	Contact power supply department
Micro switch	Micro switch damaged	Replace the micro switch	

Installation

Install the ice crusher like as below:



NOTE: The ice crusher must be installed by a technician.

Unpack the machine

Remove all exterior and interior packaging materials. Check that the ice box, disassembled handle and instruction manual are included. If any parts are missing, please contact our customer service.

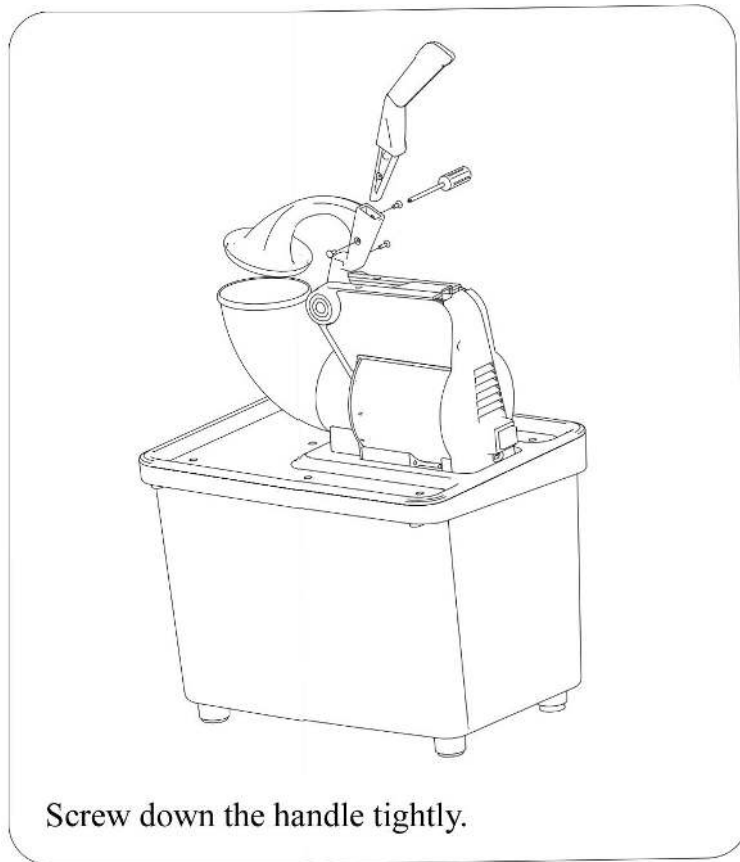
Warning: Keep the disables and children away form the foam and other package materials, which is dangerous.

1. Find a location for your ice crusher where it's protected from direct sunlight and other sources of heat (i.e. stove, furnace, radiator). Place the ice crusher on a level surface. Make sure that there is at least 15cm of space between the back and sides of your ice crusher and the wall. Don't place anything on your ice crusher.
2. The appliance must be positioned where the plug is accessible.

NOTE: Improper installation may cause injury to people or objects.

1. The socket must be grounded.
2. The fuse on the PCB must be >10A,if change,must be operated by a technician.
3. If the power cord need to change,must be operated by a technician.
4. Voltage fluctuation can't be exceed $\pm 10\%$ than rated voltage,or a Voltage stabilizer is needed.

Handle installation



Operation instruction

Your ice crusher is used to crush small ice cubes.

Clean the interior with lukewarm water and a soft cloth,the blade is very SHARP,operate with care.

Don't pour water directly in the hopper to clean which will damage the motor.Unplug the ice crusher before cleaning

The use of any appliance must follow basic guidelines, in particular:

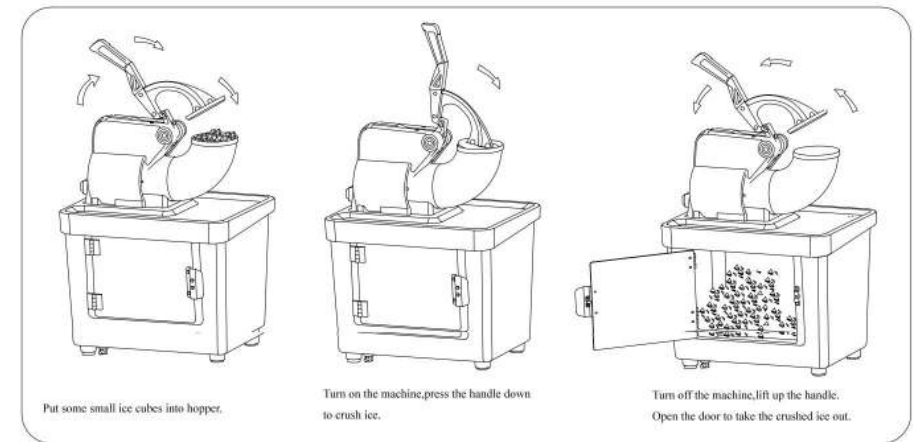
High humidity environment will increase the risk of short circuit or electric shock. If in doubt, cut off the power of the ice crusher.

Please do not directly pull down the power cord to turn off the machine, turn off the machine by the switch.

The ice crusher cannot be used by children or disabilities without adult supervision.

Operation

- a) The ice crusher is only used to crush ice,can't be used for other purpose.
- b) Operate the machine follow the steps as below.



Preparing the ice crusher for long-term storage

- a) Turn off the machine, unplug the power cord, wipe off the water on the power cord , and gather the power cord up;
- b) Wipe the surface of the machine and the outer surface of the hopper, and open the handle upwards, which is conducive to the internal moisture distribution;
- c) Keep the machine in a safe place and keep it out of reach of children and disabilities.