

VEVOR[®]

TOUGH TOOLS, HALF PRICE

Technical Support and E-Warranty Certificate www.vevor.com/support

1100LBS MOTORCYCLE LIFT USER'S MANUAL

MODEL: 110201

We continue to be committed to provide you tools with competitive price. "Save Half", "Half Price" or any other similar expressions used by us only represents an estimate of savings you might benefit from buying certain tools with us compared to the major top brands and does not necessarily mean to cover all categories of tools offered by us. You are kindly reminded to verify carefully when you are placing an order with us if you are actually saving half in comparison with the top major brands.

VEVOR®

**1100LBS
MOTORCYCLE LIFT**

110201



<Picture Only For Reference >

PLEASE READ THIS MANUAL CAREFULLY BEFORE USE

NEED HELP? CONTACT US!

Have product questions? Need technical support? Please feel free to contact us:

 [**CustomerService@vevor.com**](mailto:CustomerService@vevor.com)

This is the original instruction, please read all manual instructions carefully before operating. VEVOR reserves a clear interpretation of our user manual. The appearance of the product shall be subject to the product you received. Please forgive us that we won't inform you again if there are any technology or software updates on our product.

1. Use

Screw design, adjusting the height by rotating the screw manually, it is an ideal second lifting tool for tire changing and maintenance on your motorcycle.

2. Operation

- a. Rotate the screw by ratchet wrench to adjust the height of the platform.
- b. 2. Adjust the platform to the appropriate height and place the lift to the bottom of the motorcycle. Make sure that the center of the load align with the pivot, and keep the load stable and safe.
- c. 3. When all this is done, lift the motorcycle to the proper height and insert the safety pin.
- d. 4. Tighten the motorcycle with other tools to keep it stable.
- e. 5. After repairing, pull out the safety pin, rotate the ratchet wrench slowly and gently to lower the platform until it departs from pivot, and then take the lift away.

3. Warning and maintenance

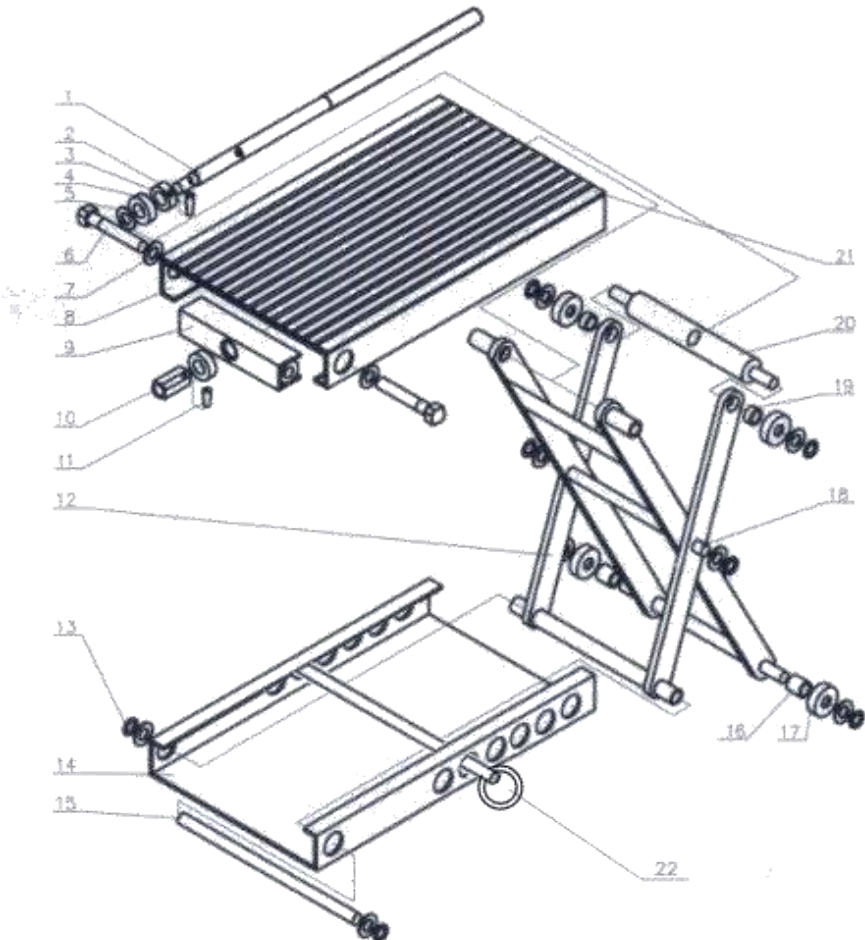
- a. Read and understand the user manual before assembling, installing, operating, or servicing this product. Failure to follow these warnings and instructions can cause death, personal injury or damage to valuable property. And Keep the user manual .
- b. Do not overload the Engine Stand. Never exceed the maximum weight capacity of 1100 Lbs.
- c. The lift must be used on a solid and level surface, not allowing gradient and uneven surface.
- d. Keep the load stable and prevent the load from losing balance.
- e. Before using, lubricate the screw and the nuts with grease to make the lift flexible and antifricition.
- f. Keep children and unauthorized persons away from the work area.
- g. Wear ANSI approved safety goggles when operating the lift.
- h. Only use this lift on a big , stable ,level, dry and not slippery motorcycle lift platform. Keep the surface clean,tidy and free from unrelated materials and ensure that there is adequate lighting.

i. Always keep your hands and feet away from working area.

4. Specification

Model	Rated capacity(LBS)	Minimum height(mm)	Maximum height(mm)	G.W.(kg)
110201	1100	95	350	13.7

5. DISASSEMBLE DRAWING



Part No	Name	Qty	Part No	Name	Qty
1	Screw	1	12	Stand assembly	1
2	Screw coat	1	13	Hold ring	8
3	Pin 6×28	1	14	Base	1
4	Ball Bearing8102	2	15	Front Shaft	1
5	Washer	1	16	Restrict wrap 1	2
6	Bolt	2	17	Bearing201	4
7	Washer	10	18	Center Shaft	1
8	platform	1	19	Restrict wrap 2	2
9	C-tube	1	20	Shaft	1
10	wrap	1	21	Rubber pad	1
11	Pin 6×18	1	22	Safety Pin	1

EU Importer: WAITCHX, 250 bis boulevard Saint-Germain 75007 Paris

UK Importer: FREE MOOD LTD, 2 Holywell Lane, London, England, EC2A 3ET

UK	REP
-----------	------------

EUREP UK LTD
UNIT 2264, 100 OCK STREET, ABINGDON
OXFORDSHIRE ENGLAND OX14 5DH

EC	REP
-----------	------------

EUREP GmbH
Unterlettenweg 1a, 85051
Ingolstadt, Germany

Manufacturer: Zhejiang Jinhong Auto Accessory Co., Ltd.

Address: No.36 Binhai Road, Jianshan, Haining, Zhejiang, China

MADE IN CHINA

VEVOR[®]

TOUGH TOOLS, HALF PRICE

Technical Support and E-Warranty Certificate

www.vevor.com/support

MADE IN CHINA