

VEVOR[®]

TOUGH TOOLS, HALF PRICE

Technical Support and E-Warranty Certificate www.vevor.com/support

1500LBS MOTORCYCLE LIFT USER'S MANUAL

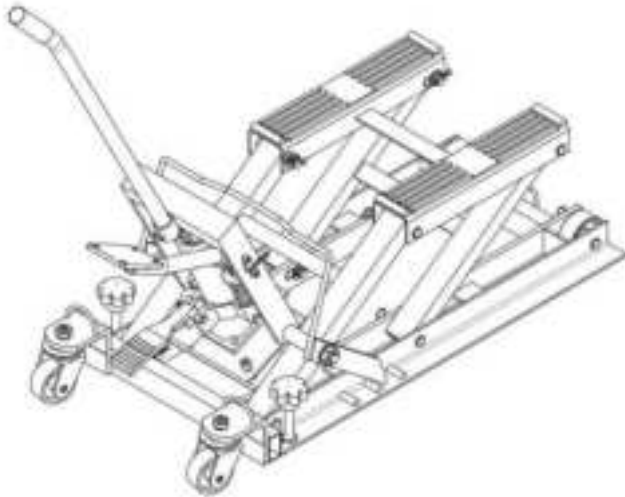
MODEL: ZX0901-3C

We continue to be committed to provide you tools with competitive price. "Save Half", "Half Price" or any other similar expressions used by us only represents an estimate of savings you might benefit from buying certain tools with us compared to the major top brands and does not necessarily mean to cover all categories of tools offered by us. You are kindly reminded to verify carefully when you are placing an order with us if you are actually saving half in comparison with the top major brands.

VEVOR®

1500LBS MOTORCYCLE LIFT

ZX0901-3C



<Picture Only For Reference >

PLEASE READ THIS MANUAL CAREFULLY BEFORE USE

NEED HELP? CONTACT US!

Have product questions? Need technical support? Please feel free to contact us:

 CustomerService@vevor.com

This is the original instruction, please read all manual instructions carefully before operating. VEVOR reserves a clear interpretation of our user manual. The appearance of the product shall be subject to the product you received. Please forgive us that we won't inform you again if there are any technology or software updates on our product.

1. Forward

This motorcycle has below advantages:

- a. Perfect for cleaning, servicing motorcycles and ATV' s.
- b. Low profile design.
- c. All position anti-fall lock design.
- d. Removable tow handle.
- e. Swivel wheels for easy positioning.
- f. Heavy steel construction for maximum durability.
- g. Dual return springs retract ram.

2. Main specifications

Model	Capacity (lbs)	MIN height(mm)	MAX height(mm)	G.W.(kg)	N.W.(kg)	Packing size(mm)
ZX0901-3C	1500	120	385	29.6	27.6	845×415×135

3. Safety instructions

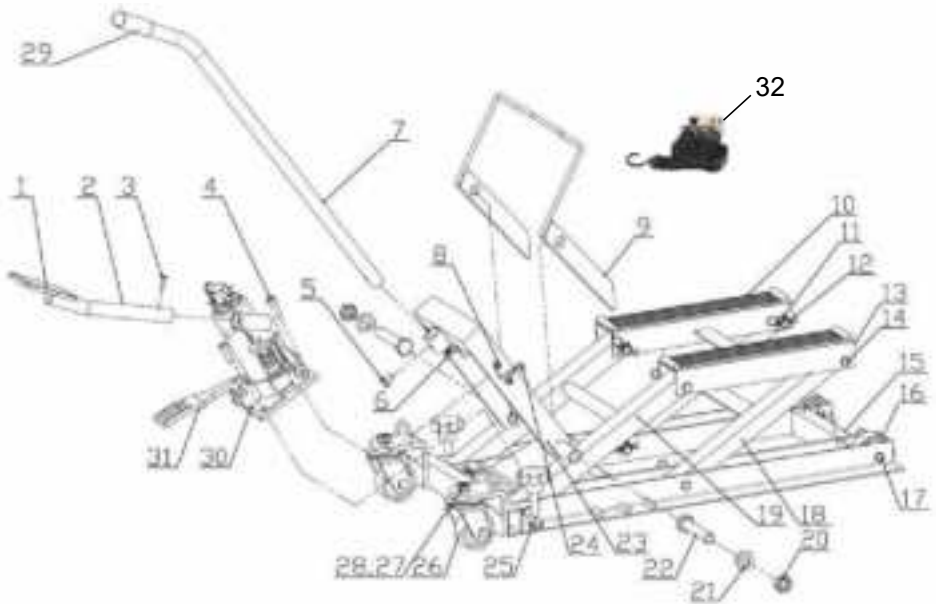
- a. Study, understand, and follow all instructions before operating this device.
- b. Do not exceed 1500 lb. rated capacity.
- c. Use only on hard, level surfaces.
- d. Load saddles equally.
- e. Lifting device only. Immediately after lifting, support the vehicle with appropriate means.
- f. Do not adjust safety valve.
- g. Wear ANSI-approved safety goggles and heavy-duty work gloves during use.
- h. Keep clear of load while lifting and lowering.
- i. Lower load slowly.
- j. Do not use for aircraft purposes.
- k. Lift vehicle only at manufacturer-recommended locations.
- l. Inspect before every use; do not use if parts are loose or damaged.
- m. Secure load with appropriate restraint device.
- n. Immediately after lifting load, ensure lift mechanical load holding means is engaged.

- o. Do not move or dolly the vehicle while on the Lift.
- p. No alterations shall be made to this product.
- q. Keep hands away from the Lift Arms when raising or lowering the Lift.
- r. Stay alert. Watch what you are doing, and use common sense when operating a Lift. Do not use Lift while tired or under the influence of drugs, alcohol, or medication. A moment of inattention while operating lifts may result in serious personal injury
- s. Never allow anyone to ride Lift when it is being raised, lowered, or while holding an ATV or motorcycle.
- t. Before use, read manufacturer's instruction manual for the ATV or motorcycle being lifted.
- u. Store idle Lift out of reach of children and other untrained persons. Lifts are dangerous in the hands of untrained users.
- v. Lift service must be performed only by qualified repair personnel. Service or maintenance performed by unqualified personnel could result in a risk of injury.
- w. Maintain labels and nameplates on the Lift. These carry important information.
- x. The warnings, precautions, and instructions discussed in this manual cannot cover all possible conditions and situations that may occur. The operator must understand that common sense and caution are factors, which cannot be built into this product, but must be supplied by the operator.

4. Main construction

Part No	Description	Qty	Part No	Description	Qty
1	Rubber pad	1	17	Hinge pin Φ 12x65	6
2	Foot pedal	1	18	Front stand	1
3	Outer hexagon bolt M6x16	1	19	Back stand	1
4	Hexagon socket bolt M8x25	2	20	Lock nut M16	2
5	Outer hexagon bolt M8x12	1	21	Flat washer Φ 16	2

6	Flying bolt M6x20	1	22	Outer hexagon bolt M16x95	2
7	Handle	1	23	Lifting arm	1
8	Hexagon socket bolt M6x12	2	24	Safety jump ring	1
9	Safety stand	1	25	Lock handle	2
10	Rubber pad	2	26	Caster wheel	2
11	Flat washer Φ 12	10	27	Spring washer Φ 12	2
12	B pin	10	28	Nut M12	2
13	Working plate	1	29	Handle socket	1
14	Hinge pin Φ 12x80	4	30	Pump	1
15	Base	1	31	Release pedal	1
16	Front wheel	2	32	Ratchet Belt	2



5. Operation instruction

Lifting

- a. Lift the Stop Bar Connecting Rod and secure it to the Stop Bar Rod Clamp.
- b. Use the Handle to roll the Lift and position it next to the load. Lower the Lift by depressing the Release Pedal.
- c. Once positioned under the load, turn the Lock Bolts until they contact the ground and lift the Rear Wheels slightly off of the ground to keep the Lift from rolling.
- d. Use tie-down straps to secure the load. Repeatedly depress the Foot Pedal slowly to raise the Lift. When the Lift makes contact with the load, make sure the load sits evenly on the Lift Saddle before raising the load. If the load is not evenly distributed on the two Rubber Pads or not secured in place with tie-down straps, it may fall from the Lift,
- e. resulting in personal injury and property damage.
- f. Continue to raise the Lift to the desired height. Disengage the Stop Bar Connecting Rod from the clamp. Lock the Lift at one of the three locking positions on the Bottom Base with the Stop Bars and lower Lift slightly to securely engage the Stop Bars. Not engaging the Stop Bars may result in serious injury or death, and damage the Lift.

Note: Stop Bars fit behind the welded stops on both sides of the Bottom Base. showing Stop Bars in the locked position.



Lowering

- g. Depress the foot pedal slowly to raise the Lift enough to disengage the stop Bars. lift up the stop Bar connecting rod and secure it to the stop bar rod clamp .
- h. Press the release pedal slowly and gently lower the load. Never allow the load to come down quickly or suddenly.
- i. Once the load is on the ground, remove the tie-down straps. When the Lift is clear of the load, turn the Lock Bolts until they are clear of the ground, allowing the Rear Wheels to firmly contact the ground. Roll the lift out from under the load.
- j. Clean external surfaces of the Lift with a clean, dry cloth. Store Lift in dry, indoor area out of reach of children.

6. Maintenance

- A. Before each use, inspect the general condition of the Lift. Check for broken, cracked, or bent parts, loose or missing parts, and any condition that may affect the proper operation of the product. If a problem occurs, have the problem corrected before further use.
- B. Do not use damaged equipment.
- C. Before each use, thoroughly test the Lift for proper operation prior to its actual use.
- D. Change the hydraulic oil at least once every three years:
 - a. With the Lift fully lowered, remove the Oil Filler Plug on the side of the Bottle Jack .
 - b. With assistance, place the Lift on its side to allow the old hydraulic oil to drain out of the jack 's Oil Reservoir completely, and dispose of the old hydraulic oil in accordance with local regulations.
 - c. With the Lift upright, completely fill the jack 's Oil Reservoir with a high quality hydraulic oil (sold separately) until the oil just begins to run out of the oil fill hole.
 - d. Reinstall the Oil Filler Plug.
- E. 4. Wipe dry with a clean cloth. Then, store the Lift in a safe, dry location out of reach of children and other non-authorized people.

EU Importer: WAITCHX, 250 bis boulevard Saint-Germain 75007 Paris

UK Importer: FREE MOOD LTD, 2 Holywell Lane, London, England, EC2A 3ET



EUREP UK LTD
UNIT 2264, 100 OCK STREET, ABINGDON
OXFORDSHIRE ENGLAND OX14 5DH



EUREP GmbH
Unterlettenweg 1a, 85051
Ingolstadt, Germany

Manufacturer: Zhejiang Zhongxing Machinery Manufacturing Co.,Ltd

Address: Nanhu Daqiao Shuanglong Road 3065 Jiaxing, Zhejiang, China

MADE IN CHINA

VEVOR[®]

TOUGH TOOLS, HALF PRICE

Technical Support and E-Warranty Certificate

www.vevor.com/support

MADE IN CHINA