

VEVOR[®]

TOUGH TOOLS, HALF PRICE

Support and E-Warranty Certificate <https://www.vevor.com/support>

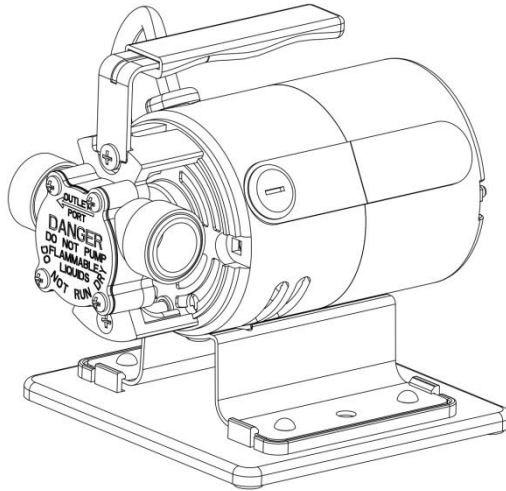
PORTABLE UTILITY PUMP USR MANUAL

We continue to be committed to provide you tools with competitive price.

"Save Half", "Half Price" or any other similar expressions used by us only represents an estimate of savings you might benefit from buying certain tools with us compared to the major top brands and does not necessarily mean to cover all categories of tools offered by us. You are kindly reminded to verify carefully when you are placing an order with us if you are actually saving half in comparison with the top major brands.

VEVOR[®]
TOUGH TOOLS, HALF PRICE

Portable Utility Pump



NEED HELP? CONTACT US!

Have product questions? Need technical support? Please feel free to contact us:

✉ CustomerService@vevor.com

This is the original instruction, please read all manual instructions carefully before operating. VEVOR reserves a clear interpretation of our user manual. The appearance of the product shall be subject to the product you received. Please forgive us that we won't inform you again if there are any technology or software updates on our product.

USAGE GUIDE

NOTE: This Water Pump has been designed to operate on 110-120 Volt, 60Hz exclusively.

Using any other voltage or Hz adversely affects performance.

IMPORTANT: Keep this guide for future reference.

CAUTION: Be sure to review SAFETY INSTRUCTIONS FIRST PERTAINING TO A RISK OF FIRE, ELECTRICAL SHOCK, OR INJURY TO PERSONS before using the pump.

TOOLS AND MATERIALS YOU MAY NEED

- Standard hose for the outlet. A small hose is provided for the inlet.
- PTFE tape. Sometimes this is referred to as 'plumber's tape.'

PACKAGE CONTENTS

Item	Quantity
Portable Utility Pump	1
Impeller	1
Carbon Brush	1
Suction Attachment	1
6 ft Inlet Pipe	1
Instruction Manual	1

SITE PREPARATION CLEANING AND MAINTENANCE

Make sure your work area where you intend to use the pump is clear of clutter and well-lit. Also, ensure that the pump is in a location where it will not be submerged or in contact with external water.

The pump is designed to pump fresh water, so please make sure that the water source does not contain large bits of debris.

IMPORTANT SAFETY INSTRUCTIONS

INSTRUCTIONS PERTAINING TO A RISK OF FIRE, ELECTRIC SHOCK, OR INJURY TO PERSONS. SAVE THESE INSTRUCTIONS.

WARNING - When using electrical pumps, basic precautions should always be followed, including the following:

1. Read all instructions before using the pump.
2. To reduce the risk of injury, close supervision is recommended at all times that the pump is in operation.
3. Do not put your fingers or hands into a water pump inlet or outlet when operating.
4. Unplug the power before attempting to move the pump.
5. For proper grounding instructions, see the ELECTRICAL CONNECTION portion of this manual.

WATER AND ELECTRICAL CONNECTIONS

HOSE CONNECTIONS

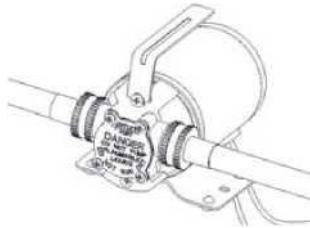
Connect a standard garden hose to both the inlet and outlet of the pump.

If using another hose than

the provided short hose for the inlet connect, then ensure that the supplied inlet hose is less than

25' long and less than 10' above the water source.

Note: Keep the hoses as straight as possible, which will improve the pump's efficiency.



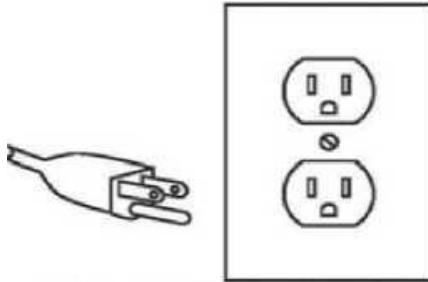
GROUNDING INSTRUCTIONS

THE WATER PUMP IS EQUIPPED WITH A GROUNDED PLUG-IN POWER CORD. This pump must be grounded. In the event of a malfunction or breakdown, grounding provides a path of least resistance for electric current to reduce the risk of electric shock. This pump is equipped with a cord having an equipment grounding conductor and a grounding plug. The plug must be plugged into an appropriate outlet that is properly installed and grounded in accordance with all local codes and ordinances.

ELECTRICAL CONNECTIONS

A. Connect the pump to 120 Volt, 60 Hz AC only.

B. Use a three-prong plug. See the figure below:



3-Prong Plug and Outlet

CAUTION: Do not allow the pump, electrical cord, or electrical outlet to come into contact with water.

This may result in serious injury. If unsure how to install or use this pump, consult a licensed electrician.

OPERATING INSTRUCTIONS

PUMP PREPARATION

Before operating, the pump needs to be oiled. Pour 1/2 tablespoon of food-grade vegetable oil into the inlet of the pump. This should provide the necessary lubrication to the impeller.

OPERATION

The following are the steps for the operation

1. After oiling the pump, make sure the inlet and outlet hoses are firmly attached.
2. Verify that the pump is placed in a safe area and will not be submerged or come in contact with a water source.
3. Check that the inlet hose is submerged and connected to a water source.
4. Make sure the end of the outlet hose is connected correctly.
5. Carefully plug the pump into a 3-wire, 120 Volt, 60 Hz, grounded A.C. Outlet to begin operation.
6. The pump is self-priming, and water should begin to flow for 30 seconds

or less.

a.If water does not flow, unplug the pump and check the connection and setup.

b.Operating the pump without water for an extended period may damage the pump and cause it to fail.

7.Once pumping has been completed, unplug the pump. The pump may become hot during operation. Be careful we working near or touching the pump.

CAUTION: Water and electricity do not mix. Make sure continuously check that the power connections and cables are not in contact with water. Consult an electrician if you have any questions or concerns about the electrical circuit or pump operations.

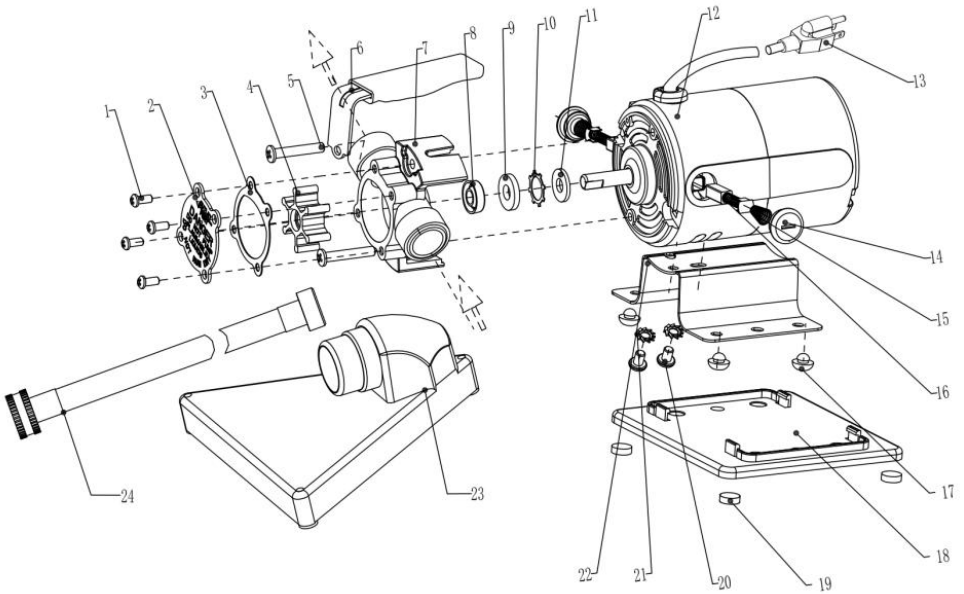
TROUBLESHOOTING

Problem	Possible Causes	Possible Solutions
Pump will not start	1. No power or cord not connected	1. Check outlet power or plug in the pump
Pump is on, but no water is flowing	1.Pump not oiled 2.Inlet hose is too long 3.Hoses kinked	1.Oil pump through the inlet 2.Shorten the inlet hose 3.Straighten out the hoses
Pump stops with a warning	1.No water to pump 2.Pump has overheated, and thermal overload has tripped 3.Hoses have become kinked	1.Check the inlet water supply 2.Unplug and let the pump cool 3.Straighten out hoses
Pump leaks	1.Hose O-rings missing	1.Remove inlet and outlet hoses and reinstall

SPECIFICATIONS

- Voltage/Frequency: Single Phase 120V-60Hz.
- Current: 2.3A
- Power: 1/10 HP.
- Maximum Flow: 360GPH.
- Maximum Head Lift: 46 ft.
- Inlet/Outlet Diameter: GHT3/4.
- 18AWG power cord, 6' long.

REFERENCE PARTS LIST



List of Explosion Plans

Number	Item	Quantity
1	pan head screws	4
2	end cover	1
3	seal washer	1
4	impeller	1
5	pan head screws	2
6	easy-carry handle	1
7	pump head	1
8	oil seal	1
9	wool felt	1
10	check ring	1
11	rubber ring	1
12	electric machinery	1
13	cable and plug	1
14	brush cap	2
15	brush spring	2
16	brush	2
17	foot pad	4
18	bottom seat	1
19	foot pad	4
20	pan head screws	2
21	serrated gasket	2
22	baseboard	1
23	suction attachment	1
24	water pipe	6 ft

VEVOR[®]

TOUGH TOOLS, HALF PRICE

Support and E-Warranty Certificate <https://www.vevor.com/support>