

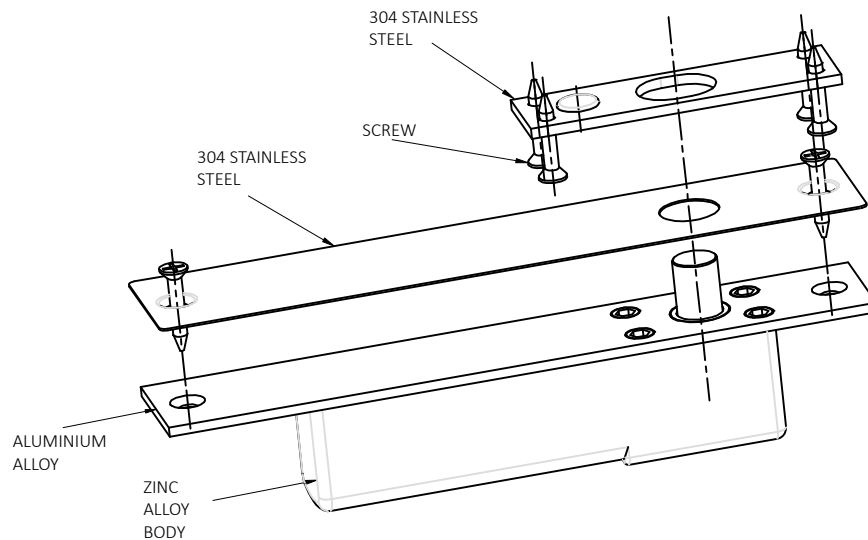
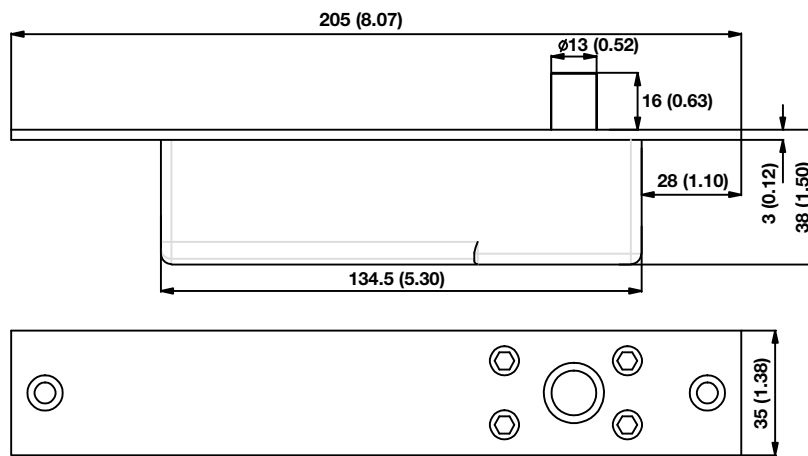


Features

- Voltage: DC 12V -24V
- Holding Force: 800Kg (1700lbs)
- Current: (DC12V) Start 1A, standby 0.11A
- Function: Fail Safe. N/C with power it's lock
- Time Delay: 0, 3, 6s
- Bolt Diameter: 13mm stainless steel out throw 16mm
- Size: 205Lx35Wx38H (mm) - 8.07Lx1.38Wx1.50H (in.)
- Product + Packaging Weight: 0.73Kg (1.61 pounds)
- Operating Temperature: -20°C / +50°C (-4°F / 122°F)

I. Dimensions:

mm (inches)



Disclaimer: VISIONIS reserve the right to go ahead with any modifications of models or features or price without forewarning. All the information and specifications stated in this document are current at the time of publication. Attention: We are not responsible for the improper installation of this kit. If you are not handy with electrical equipment you should contact a professional electrician. You will also need to check with your local Fire authority to see if you need anything else to comply with local Fire Codes. We are not responsible for damage or fees that can occur.



sales@visionistech.com



www.visionistech.com

Installation

The following table are types of electric bolt lock and in accordance with the models identified openings paper, place the lock screws embedded position. (This table is a fully built-in installation)

	A	B	C	D	E
<i>Standard</i>	207	36	12	91	26
<i>Safe</i>	207	36	12	91	26
<i>Multi-functional</i>	207	36	12	91	26
<i>Ball catch</i>	207	36	12	101	36
<i>Narrow</i>	207	31	12	101	26

Install the hole size:

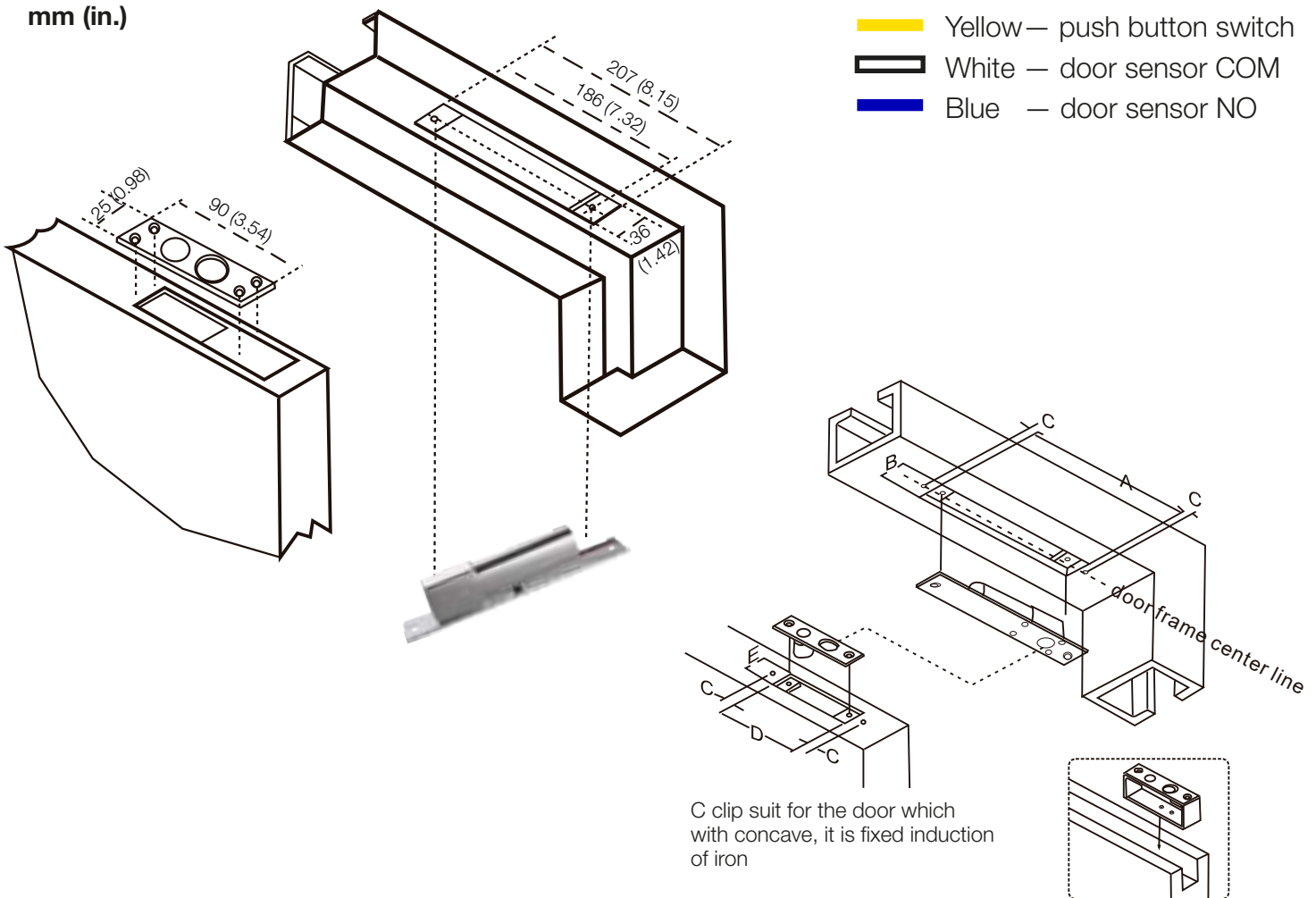
(the depth of the hole is not less than 38mm)

207mm(L)x36mm(W)

Decorative plate size: 215mm(L)x41mm(W)x0.6mm(H)

Lock face plate size: 205(L)x 35(W)x3mm(H)

mm (in.)



Wire Definitions

- █ Red — DC12V~DC24V +
- █ Black — GND
- █ Yellow — push button switch
- █ White — door sensor COM
- █ Blue — door sensor NO



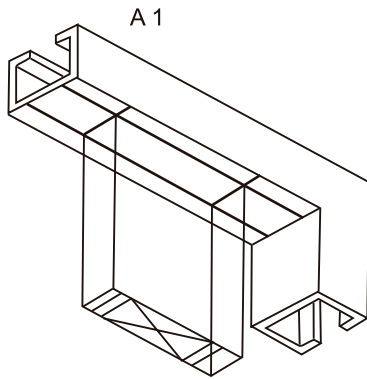
Disclaimer: VISIONIS reserve the right to go ahead with any modifications of models or features or price without forewarning. All the information and specifications stated in this document are current at the time of publication. Attention: We are not responsible for the improper installation of this kit. If you are not handy with electrical equipment you should contact a professional electrician. You will also need to check with your local Fire authority to see if you need anything else to comply with local Fire Codes. We are not responsible for any damage or fees that can occur.



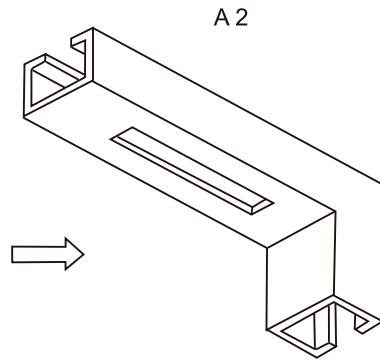
sales@visionistech.com



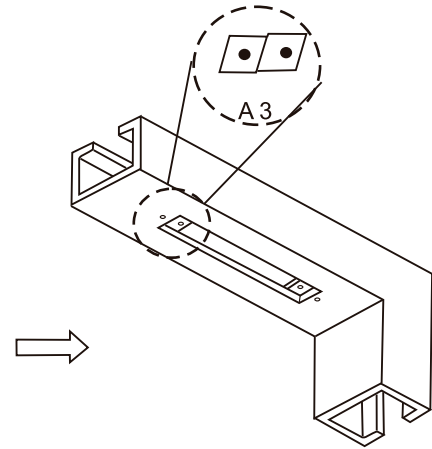
www.visionistech.com



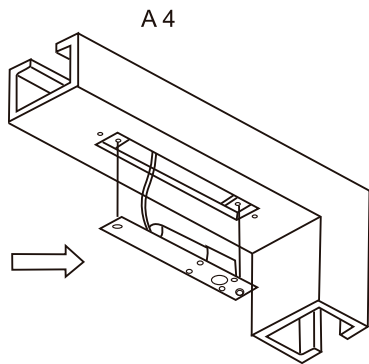
A 1
Place lock body template to match with door frame center line



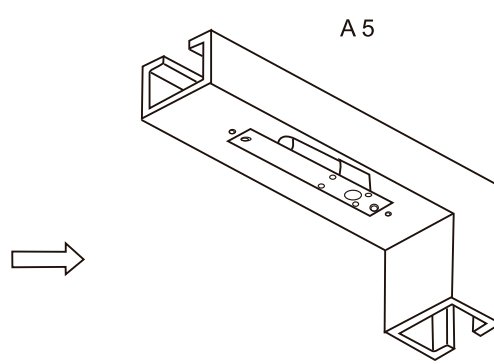
A 2
cut hole



A 3
Fix mounting plate
(For hollow metal frame)

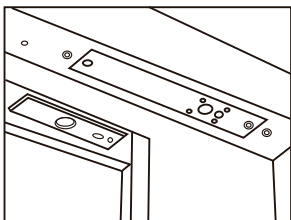


A 4
Connect wires



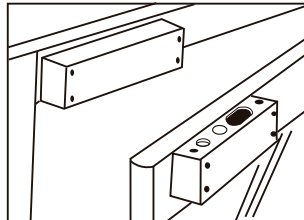
A 5
Mount lock body on the door frame and test

Standard Door



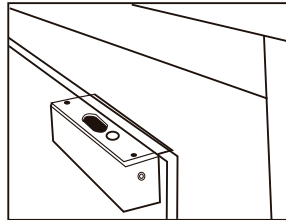
B1

Narrow Door



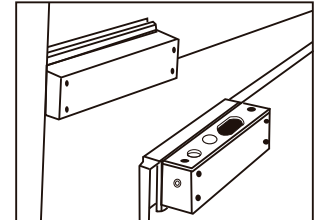
B2

Half frameless glass door



B3

Full frameless glass door



B4

