



1051WM · RGBW · WALL MOUNT

Specification Sheet | Commercial Series · Linear Floodlight

TYPE: MODEL:

PROJECT:

PRODUCT FEATURES



Wattage	34 W (MAX)
Voltage	120 – 277 VAC
Lumens	2546 Delivered Lumens (MAX)
Distribution	Narrow, Medium Flood, Wide Flood, Wall Wash, Wall Grazer, Asymmetric
Color	RGB and Tunable White (2200K – 6000K)
Controls	DMX 512-A with RDM capabilities
Driver	4 channel DMX512-A/RDM compatible
Fixture Dimensions	13 1/2" W x 6 3/4" H
Wall Box Dimensions	8" DIA x 2 3/4" D



ORDERING INFORMATION

EXAMPLE: 1051WM-GM-MF-RGBW-SB12-MV-DMX-GS

MODEL	FINISH	DISTRIBUTION	COLOR	MOUNTING	VOLTAGE	CONTROL	ACCESSORIES
1051WM			RGBW		MV	DMX	

MODEL	FINISH	DISTRIBUTION	COLOR
1051WM	B Black	BR Architectural Brick	G Verde
	Z Architectural Bronze	LZ Light Bronze	P Pewter
	DZ Dark Bronze	SB Special Bronze	M Mocha
	GT Granite	GG Glossy Gray	OF Olde Finish
	W White	R Rust	
		HG Hunter Green	
		WB Weathered Bronze	
		WI Weathered Iron	
		GM Graphite Metallic	
			NS Narrow
		MF Medium Flood	
		WF Wide Flood	
		WW Wall Wash	
		WG Wall Grazer	
		AS Asymmetric	

MOUNTING	VOLTAGE	CONTROL	ACCESSORIES
SB12 Surface Box 1/2" NPT hubs	MV Multi Volt (120-277VAC)	DMX DMX 512-A with RDM capabilities	GS Internal Glare Shield
SB34 Surface Box 3/4" NPT hubs			VR Polycarbonate Lens
SBKO Surface Box 4-0 Box Knockout			



PROFESSIONAL OUTDOOR LIGHTING

www.VistaPro.com · email@vistapro.com · Fax: (888) 670-VISTA (8478)
1625 Surveyor Avenue · Simi Valley, CA 93063 · (805) 527-0987 · (800) 766-VISTA (8478)

Vista Professional Outdoor Lighting reserves the right to modify the design and/or construction of the fixture shown without further notification.



SPECIFICATIONS

FIXTURE HOUSING:

Extruded aluminum body with die-cast aluminum end caps and mountings. Optic and driver compartment environmentally sealed. Mounted on die cast aluminum fitting. Adjustable $\pm 15^\circ$.

WALL BOX HOUSING:

Die-cast A360 aluminum. Separate power and communication splicing compartments environmentally sealed. Integral 4 channel DMX driver completely wired by factory.

FINISH:

Powder coat finish available in Black, Architectural Bronze, Dark Bronze, Granite, White, Architectural Brick, Light Bronze, Special Bronze, Glossy Gray, Rust, Hunter Green, Weathered Bronze, Weathered Iron, Graphite Metallic, Verde, Pewter, Mocha, and Olde Finish. Custom Powder coat finishes available on request.

REFLECTOR:

Specular or semi-specular extruded aluminum optics anodized and bright dipped for maximum reflectivity.

ACCESSORIES:

Internal Glare Shield **GS**, Polycarbonate Lens **VR**

WALL BOX MOUNTING:

Two independent knockout holes suitable for 1/4"-20 mount bolts (bolts by others).

WIRING:

- **Power:** 3 conductors. Terminates in isolated power junction box of the Surface Box.
- **Communication:** DMX, 2 twisted pairs in & out plus drain, terminates in isolated communication junction box of the Surface Box.

MOUNTING:

- **Fixture:** Die-cast, aluminum Wall Mount, affixed with stainless steel hardware and factory mounted to the Surface Box Cover. Wall Mount is adjustable for precise aiming.
- **Surface Box:** Two size 1/4-20 knockout holes provided for surface mounting with fasteners (by others).
- **Concrete Pour Mask (CPM):** Included for recessed mounting in concrete. Also included is an 8-32 rod kit for attachment of the Surface Box to pour forms.

CERTIFICATION:

UL wet location listed.

LED:

White and RGB LEDs arranged in four channel configuration.

CONTROLS:

Integral drivers equipped, **One (1) included**, with DMX512-A protocols. Each integral driver has a unique 12 digit UID. Fixture identification accessible through RDM and consumes **1 Node** on a standard **32 Node** (max) DMX BUS.

COLOR RENDERING (WHITE):

90 CRI minimum at 3000K

OPTICS/AIMING:

NEMA defined floodlight optics with wide lateral throws – extruded aluminum. $\pm 15^\circ$ aiming adjustment

LIGHT DISTRIBUTION [WHITE]:

Narrow **NS** (83.3° H x 28.4° V) | Max. Candela: 2173
 Medium Flood **MF** (95.3° H x 57.4° V) | Max. Candela: 1537
 Wide Flood **WF** (78.2° H x 88.2° V) | Max. Candela: 1070
 Wall Wash **WW** (83.5° H x 50.6° V) | Max. Candela: 1419
 Wall Grazer **WG** (101.2° H x 20.6° V) | Max. Candela: 3501
 Asymmetric **AS** (91.8° H x 67.3° V) | Max. Candela: 1472

DRIVER:

4 channel DMX512-A/RDM compatible driver 12 digit UID number.

Driver is factory set to start Channel 1:

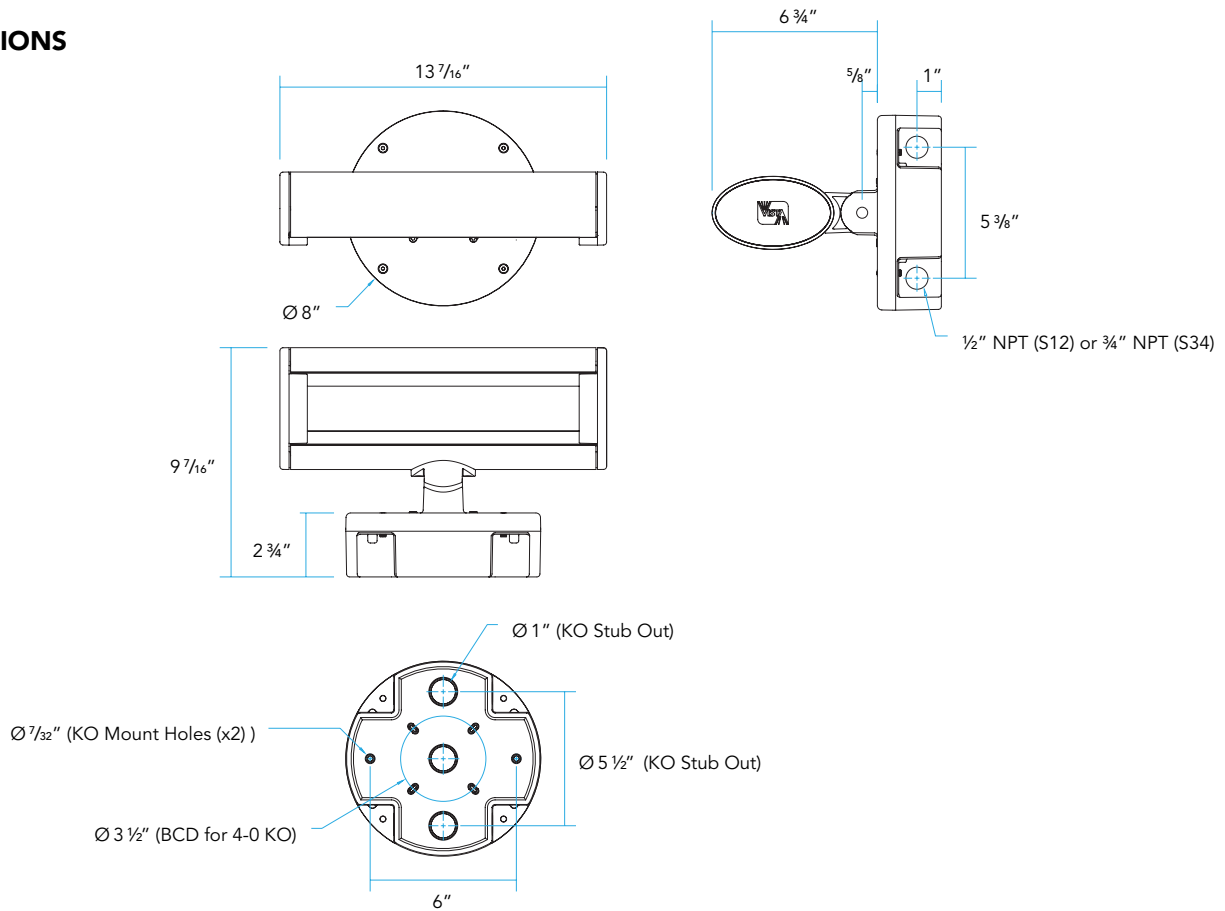
- Channel 1 – Red
- Channel 2 – Green
- Channel 3 – Blue
- Channel 4 – White

The start channel can be changed during commissioning via RDM using the driver 12 digit UID number.





DIMENSIONS



DELIVERED LUMENS SPECIFICATION

DISTRIBUTION	RED	GREEN	BLUE	WHITE
Narrow NS	8 Watts 222 Lumens	12 Watts 528 Lumens	11 Watts 119 Lumens	34 Watts 2303 Lumens
Medium Flood MF	9 Watts 262 Lumens	12 Watts 643 Lumens	12 Watts 146 Lumens	34 Watts 2281 Lumens
Wide Flood WF	9 Watts 248 Lumens	12 Watts 580 Lumens	12 Watts 155 Lumens	34 Watts 2287 Lumens
Wall Wash WW	9 Watts 257 Lumens	12 Watts 597 Lumens	12 Watts 157 Lumens	34 Watts 2356 Lumens
Wall Grazer WG	9 Watts 301 Lumens	12 Watts 714 Lumens	12 Watts 191 Lumens	34 Watts 2546 Lumens
Asymmetric AS	8 Watts 254 Lumens	12 Watts 604 Lumens	11 Watts 136 Lumens	34 Watts 2510 Lumens





CHROMATICITY

COLOR TEMPERATURE WHITE [W]:
2200K – 6000K CCT

RED WAVELENGTH [R]:
619nm – 625nm

GREEN WAVELENGTH [G]:
520nm – 530nm

BLUE WAVELENGTH [B]:
465nm – 475nm

LED MODELS:
Lumileds LUXEON 2835 HE
Lumileds LUXEON 3528 RGB

- R** Red Wavelength Range
- G** Green Wavelength Range
- B** Blue Wavelength Range
- W** White Color Temperature Range
- A** Combined RGB Visible Color Range

