



# 1054YM · RGBW · SURFACE BOX

Specification Sheet | Commercial Series · Linear Floodlight

TYPE:  MODEL:

PROJECT:

## PRODUCT FEATURES



Wattage	100 W (MAX)
Voltage	120 – 277 VAC
Lumens	8346 Delivered Lumens (MAX)
Distribution	Narrow, Medium Flood, Wide Flood, Wall Wash, Wall Grazer, Asymmetric
Color	RGB and Tunable White (2200K – 6000K)
Controls	DMX 512-A with RDM capabilities
Driver	4 channel DMX512-A/RDM compatible
Fixture Dimensions	48" W x 6 3/4" H
Surface Box Dimensions	8" DIA x 2 3/4" D



## ORDERING INFORMATION

EXAMPLE: 1054YM-B-AS-RGBW-SB12-MV-DMX-GS

MODEL	FINISH	DISTRIBUTION	COLOR	MOUNTING	VOLTAGE	CONTROL	ACCESSORIES
1054YM			RGBW		MV	DMX	

MODEL	FINISH			DISTRIBUTION		
1054YM	<b>B</b> Black	<b>BR</b> Architectural Brick	<b>G</b> Verde	<b>NS</b> Narrow		
	<b>Z</b> Architectural Bronze	<b>LZ</b> Light Bronze	<b>P</b> Pewter			
	<b>DZ</b> Dark Bronze	<b>SB</b> Special Bronze	<b>M</b> Mocha			
	<b>GT</b> Granite	<b>GG</b> Glossy Gray	<b>OF</b> Olde Finish			
	<b>W</b> White	<b>R</b> Rust				
		<b>HG</b> Hunter Green				
		<b>WB</b> Weathered Bronze				
		<b>WI</b> Weathered Iron				
		<b>GM</b> Graphite Metallic				
					<b>MF</b> Medium Flood	
			<b>WF</b> Wide Flood			
			<b>WW</b> Wall Wash			
			<b>WG</b> Wall Grazer			
			<b>AS</b> Asymmetric			
COLOR	MOUNTING		VOLTAGE	CONTROL		ACCESSORIES
<b>RGBW</b> RGB + Tunable White	<b>SB12</b> Surface Box 1/2" NPT hubs	<b>MV</b> Multi Volt	<b>DMX</b> DMX 512-A with RDM capabilities	<b>GS</b> Internal Glare Shield		
	<b>SB34</b> Surface Box 3/4" NPT hubs				<b>VR</b> Polycarbonate Lens	
	<b>SBKO</b> Surface Box 4-0 Box Knockout					



PROFESSIONAL  
OUTDOOR LIGHTING

www.VistaPro.com · email@vistapro.com · Fax: (888) 670-VISTA (8478)  
1625 Surveyor Avenue · Simi Valley, CA 93063 · (805) 527-0987 · (800) 766-VISTA (8478)

Vista Professional Outdoor Lighting reserves the right to modify the design and/or construction of the fixture shown without further notification.



## SPECIFICATIONS

### HOUSING:

Extruded aluminum body with die-cast aluminum end caps and mountings. Optic and driver compartment environmentally sealed. Mounted on extruded aluminum yoke.

### SURFACE BOX HOUSING:

Die-cast A360 aluminum. Separate power and communication splicing compartments environmentally sealed.

### FINISH:

Powder coat finish available in Black, Architectural Bronze, Dark Bronze, Granite, White, Architectural Brick, Light Bronze, Special Bronze, Glossy Gray, Rust, Hunter Green, Weathered Bronze, Weathered Iron, Graphite Metallic, Verde, Pewter, Mocha and Olde Finish. Custom Powder coat finishes available on request.

### REFLECTOR:

Specular or semi-specular extruded aluminum optics anodized and bright dipped for maximum reflectivity.

### ACCESSORIES:

Internal Glare Shield **GS** and Polycarbonate Lens **VR**

### WIRING:

- **Power:** 3 conductors. Terminates in isolated power junction box of the Surface Box.
- **Communication:** DMX, 2 twisted pairs in & out plus drain, terminates in isolated communication junction box of the Surface Box.
- **Cabling:** 3 conductor outdoor rated power cable and outdoor rated DMX cable factory installed between Luminaire and Ground Box Cover sealed with liquid tight cable fittings.

### MOUNTING:

- **Fixture:** Extruded aluminum Yoke Mount, affixed with stainless steel hardware. Yoke Mount is adjustable for precise aiming. Yoke provided with ½ NPT stainless steel cable fitting factory installed to the Surface Box Cover.
- **Surface Box:** Two size ¼-20 knockout holes provided for surface mounting with fasteners (by others).
- **Concrete Pour Mask (CPM):** Included for recessed mounting in concrete. Also included is an 8-32 rod kit for attachment of the Surface Box to pour forms.

### CERTIFICATION:

cULus wet location listed.

### LED:

White and RGB LEDs arranged in four channel configuration. Configuration allows for infinite color combinations.

### CONTROLS:

Integral drivers equipped, Two (2) included in fixture head, with DMX512-A protocols. Each integral driver has a unique 12 digit UID. Fixture identification accessible through RDM and consumes 2 Nodes on a standard 32 Node (max) DMX BUS.

### COLOR RENDERING (WHITE):

90 CRI minimum at 3000K

### OPTICS/AIMING:

NEMA defined floodlight optics with wide lateral throws – extruded aluminum.

### LIGHT DISTRIBUTION [WHITE]:

Narrow **NS** (88.3° H x 28.4° V) | Max. Candela: 6121  
 Medium Flood **MF** (95.3° H x 57.3° V) | Max. Candela: 2521  
 Wide Flood **WF** (78.2° H x 88.2° V) | Max. Candela: 3102  
 Wall Wash **WW** (83.5° H x 50.5° V) | Max. Candela: 4176  
 Wall Grazer **WG** (101.1° H x 20.6° V) | Max. Candela: 11481  
 Asymmetric **AS** (91.8° H x 67.3° V) | Max. Candela: 4146

### DRIVER:

4 channel DMX512-A/RDM compatible driver 12 digit UID number.

Driver is factory set to start Channel 1:

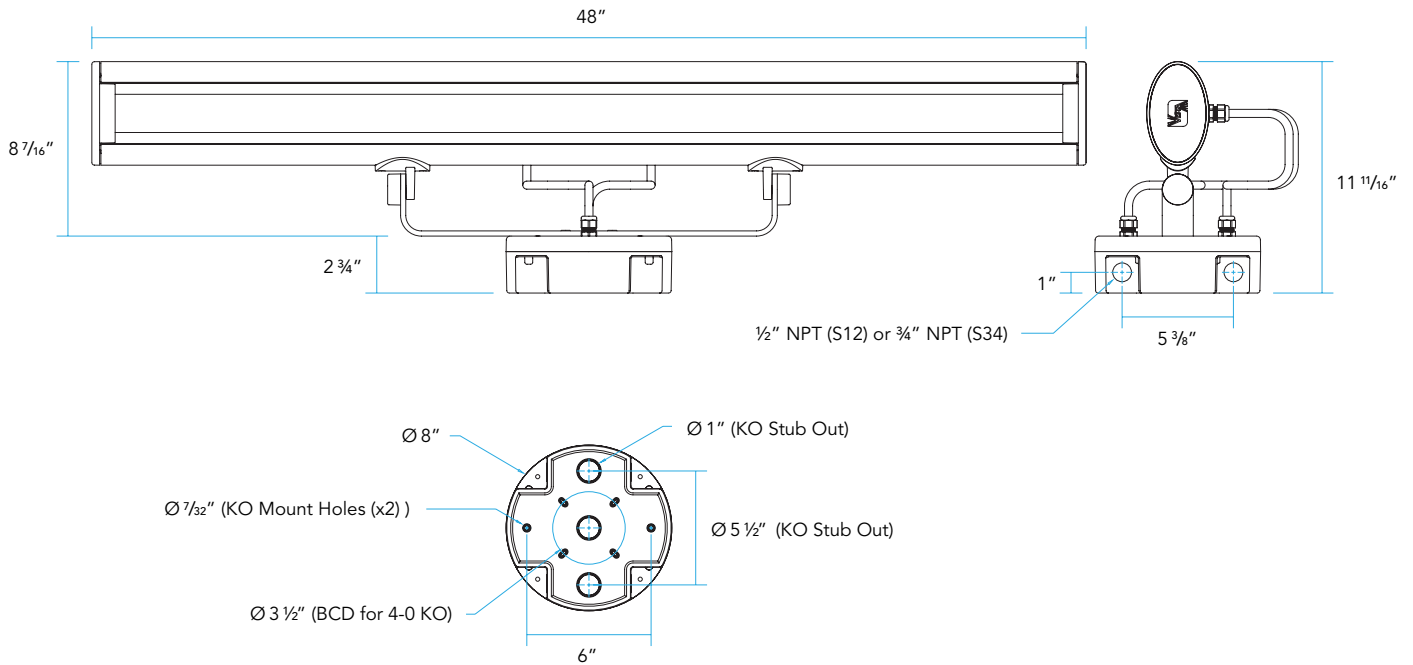
- Channel 1 – Red
- Channel 2 – Green
- Channel 3 – Blue
- Channel 4 – White

The start channel can be changed during commissioning via RDM using the driver 12 digit UID number.





**DIMENSIONS**



**DELIVERED LUMENS SPECIFICATION**

DISTRIBUTION	RED	GREEN	BLUE	WHITE
Narrow NS	30 Watts 791 Lumens	41 Watts 1884 Lumens	40 Watts 426 Lumens	96 Watts 6489 Lumens
Medium Flood MF	30 Watts 1009 Lumens	42 Watts 2473 Lumens	41 Watts 562 Lumens	98 Watts 8271 Lumens
Wide Flood WF	31 Watts 884 Lumens	42 Watts 2073 Lumens	42 Watts 553 Lumens	99 Watts 6630 Lumens
Wall Wash WW	31 Watts 916 Lumens	42 Watts 2131 Lumens	43 Watts 562 Lumens	99 Watts 6930 Lumens
Wall Grazer WG	31 Watts 1073 Lumens	42 Watts 2550 Lumens	42 Watts 680 Lumens	100 Watts 8346 Lumens
Asymmetric AS	29 Watts 908 Lumens	41 Watts 2157 Lumens	41 Watts 485 Lumens	96 Watts 7069 Lumens





**CHROMATICITY**

**COLOR TEMPERATURE WHITE [W]:**  
2200K – 6000K CCT

**RED WAVELENGTH [R]:**  
619nm – 625nm

**GREEN WAVELENGTH [G]:**  
520nm – 530nm

**BLUE WAVELENGTH [B]:**  
465nm – 475nm

**LED MODELS:**  
Lumileds LUXEON 2835 HE  
Lumileds LUXEON 3528 RGB

- R** Red Wavelength Range
- G** Green Wavelength Range
- B** Blue Wavelength Range
- W** White Color Temperature Range
- A** Combined RGB Visible Color Range

