

# IC VW 165

## Product Data Sheet

The IC VW 165 2-way coaxial kit is designed for all drivers who wish to replace their original audio system with a quality sound solution. The speaker drivers employ Polyglass technology, which delivers well-defined midrange and bass. The Aluminium inverted dome tweeter, a Focal technology, provides perfect treble reproduction.



### Key Points

- Quick and easy install
- No modifications needed on the vehicle
- Invisible integration
- Increased sound quality
- No additional accessories required

Check your car compatibility at [www.focal-inside.com](http://www.focal-inside.com)



[Volkswagen\*: Golf 6, Passat, Polo, New Beetle, Tiguan I...]  
Check online your vehicle compatibility.

Type	2-way coaxial kit
Woofers	165mm
Tweeter	Aluminium inverted dome
Voice coil diameter	1" (25mm)
Voice coil height	1/2"
Magnet	Ferrite
Cone	Polyglass
Suspension	Butyl
Impedance	2Ω
Max. power	120W
Nom. power	60W RMS
Sensitivity (2.83V/1m)	93.7dB
Frequency response	60Hz-20kHz
Crossover	Integrated Crossover

**FOCAL**® INSIDE

Focal® is a trademark of Focal-JMLab® - [www.focal.com](http://www.focal.com) - SCCG - 07/11/2020 - v1

 **FOCAL**®

# IC VW 165

Technical Sheet

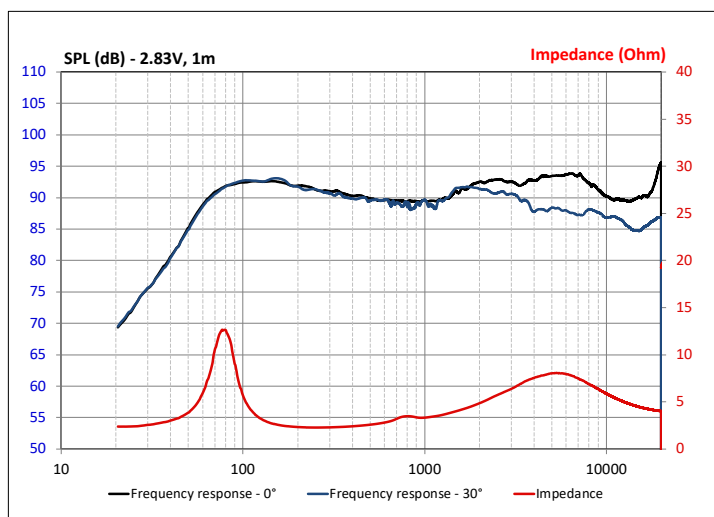
## Coaxial speaker



## SPECIFICATIONS

Nominal power	60W
Maximum power	120W
Sensitivity	93.7dB
Nom. impedance	2 Ω
Cone	Black Polyglass
Surround	Butyl
DC resistance	2.07 Ω
VC diameter	25mm 1"
Former	Kapton
Layers	2
Wire	Copper
Net weight	900g 1.98 lbs

## FREQUENCY RESPONSE/IMPEDANCE

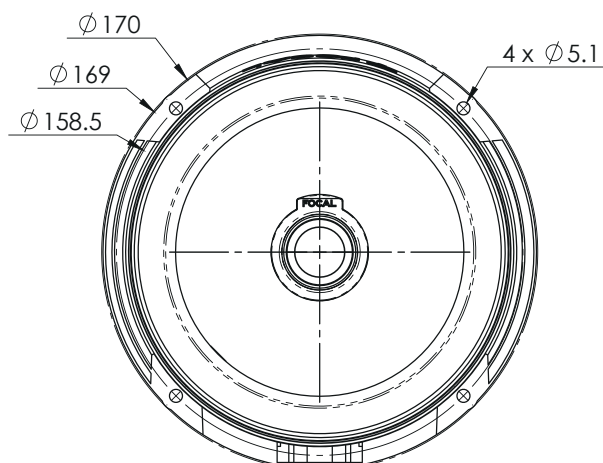
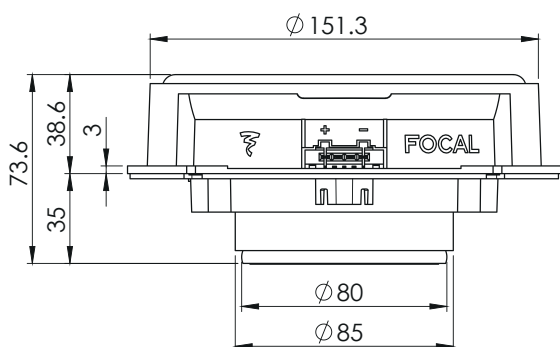


## PARAMETERS

Rdc	2.07 Ω
Fs	77.1Hz
Mms	16.53g
Cms	0.258mm/N
Vas	6.82 l
Qts	0.776
Qes	0.894
Qms	5.841
Bxl	4.32N/A
Sd	136.85cm <sup>2</sup>
SPL	87.7dB
Xmax	7mm

## MECHANICAL DRAWING

Dimensions in mm



**FOCAL** *INSIDE*

Focal is a trademark of Focal-JMLab - [www.focal.com](http://www.focal.com) - SCCG - 09/11/2020 - v1

**FOCAL**