

INSTALLATION INSTRUCTIONS

STEAMER REPLACEMENT TIMER Kit # 00-913102-0176A

OBSOLETE

NOTE: You will receive either the Mallory or Precision Timer in the kit. Both timers work on all models. Timers are wired similarly with some differences.

Precision Timer (1) Shown in Fig. 1

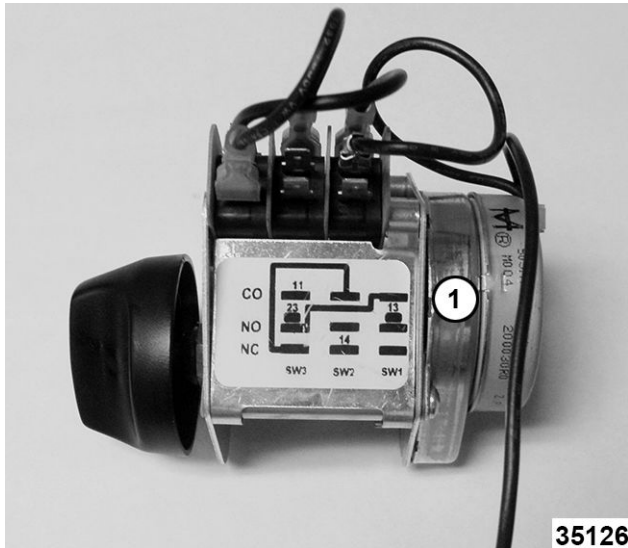


Fig. 1

Mallory Timer (2) Shown in Fig. 2



Fig. 2

Part Number	Description	QTY
00-856621-00001	Mallory Timer	1 (if applicable)
00-858593-00001	Precision Timer (Countertop Models)	1 (if applicable)
00-854693-00001	Shaft, Rotary Seal	1
00-856773-00001	Knob, Timer	1
00-833652	Lubricant, Petro-Gel, 4 oz.	1



WARNING

Disconnect the electrical power to the machine and follow lockout / tagout procedures.

1. Remove Right side panel.
 - A. Remove screws from bottom of panel.



Fig. 3.

B. Pull bottom of panel out and slide down to clear top cover.

2. Note and disconnect timer wiring and remove old timer.

NOTICE

Handle new timer with care not to touch cams or switch levers with hands or tools. Do not remove any jumper wires on the Precision brand timer.

3. Connect new timer wiring.

MODELS C24EA6/10, OR C24GA6/10 - REFER TO: Fig. 3

NOTE: Upper and lower indicate to which compartment the timer is being installed.

- A. Wire # 6 (RED) on Upper (1, Timer terminal 11)
- B. Wire # 9 (BLUE) on Lower (1, Timer terminal 11)
- C. Wire # 27 (WH) on Upper (2, Timer motor)
- D. Wire # 30 (WH) on Lower (2, Timer motor)
- E. Wire # 12 (BRN) on Upper (3, Timer terminal 14)
- F. Wire # 14 (BRN) on Lower (3, Timer terminal 14)
- G. Wire #15 (ORG) on Upper (4, Timer terminal 23)
- H. Wire #20 (YEL) on Lower (4, Timer terminal 23)
- I. Wire on timer terminal #21 should be taped off and insulated.

NOTE: Wire on terminal #21 is not used on the Precision Timer with exposed micro switches.

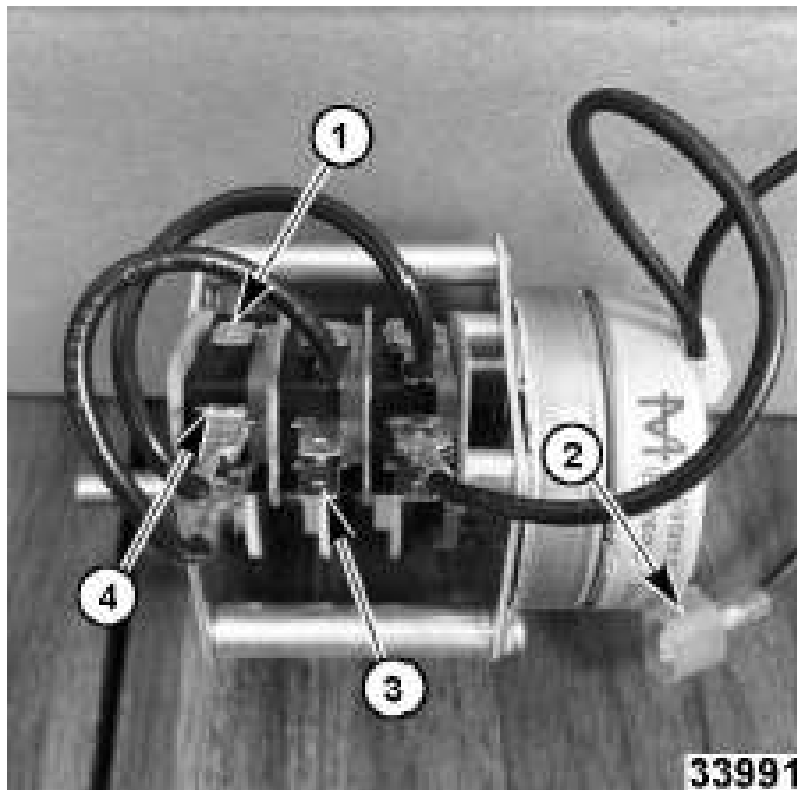


Fig. 4.

MODELS C24EA3/5, HC24EA3/5, C24EO3/5, HC24EO3/5 - REFER TO: Fig. 4

- A. Wire # 14 (RED) (1, Timer terminal 11)

NOTE: PRO MODEL ONLY: Insulate one #14 terminal connection. PRO model requires only one terminal connection for #14.

- B. Wire # 18 (2, Timer Motor)
- C. Wire # 20 (3, Timer terminal 14)
- D. Wire # 19 (4, Timer terminal 23)
- E. Wire on terminal #21 should be taped off and insulated.

NOTE: Wire on terminal #21 is not used on the Precision Timer with exposed micro switches.

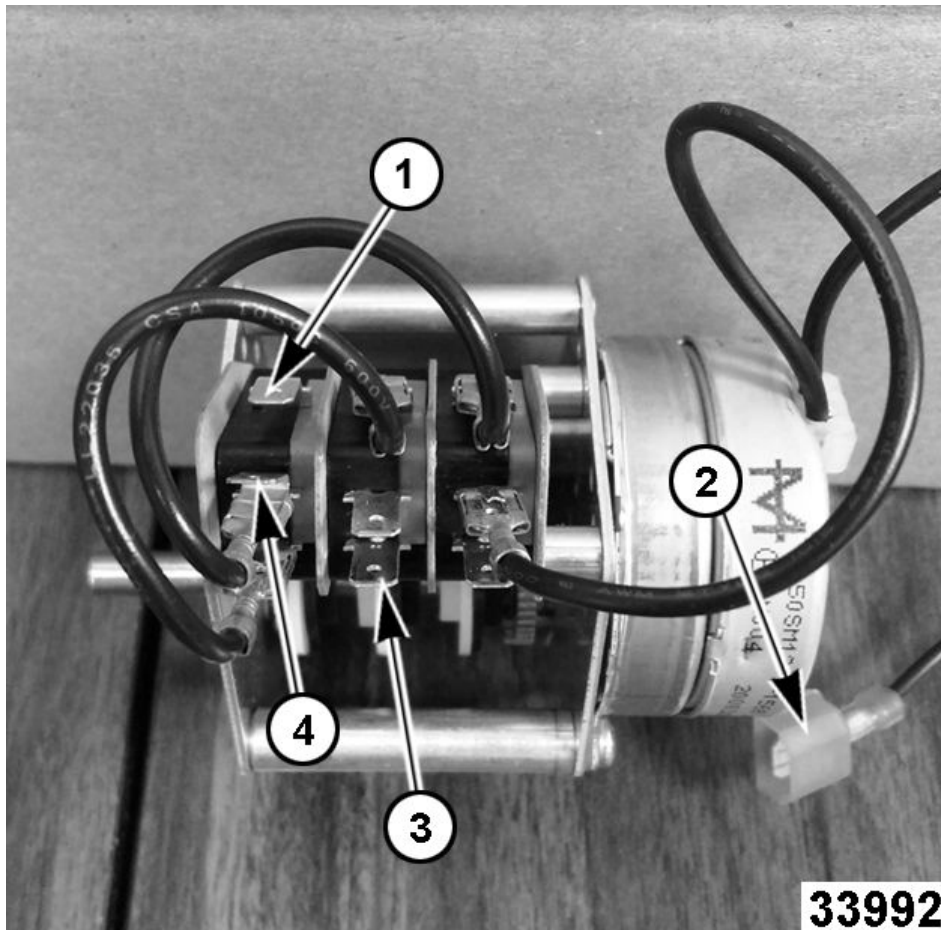


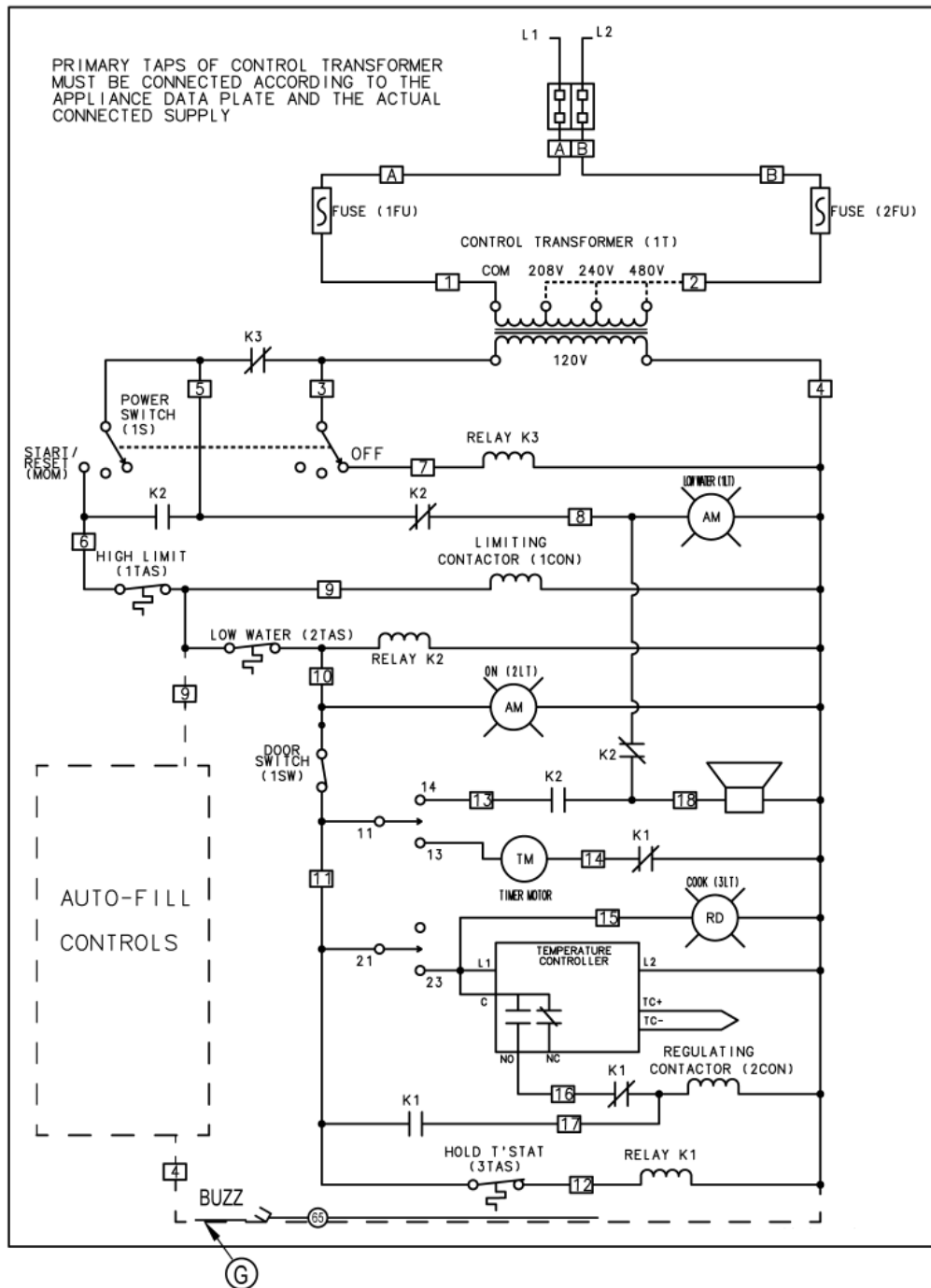
Fig. 5

- 4. Verify the orientation nub on front face of timer engages the small hole on back side of steamer front panel.
- 5. Secure shaft to steamer panel using new seal nut in kit.

NOTICE

Torque seal nut up to, but not over 15 in. lbs.

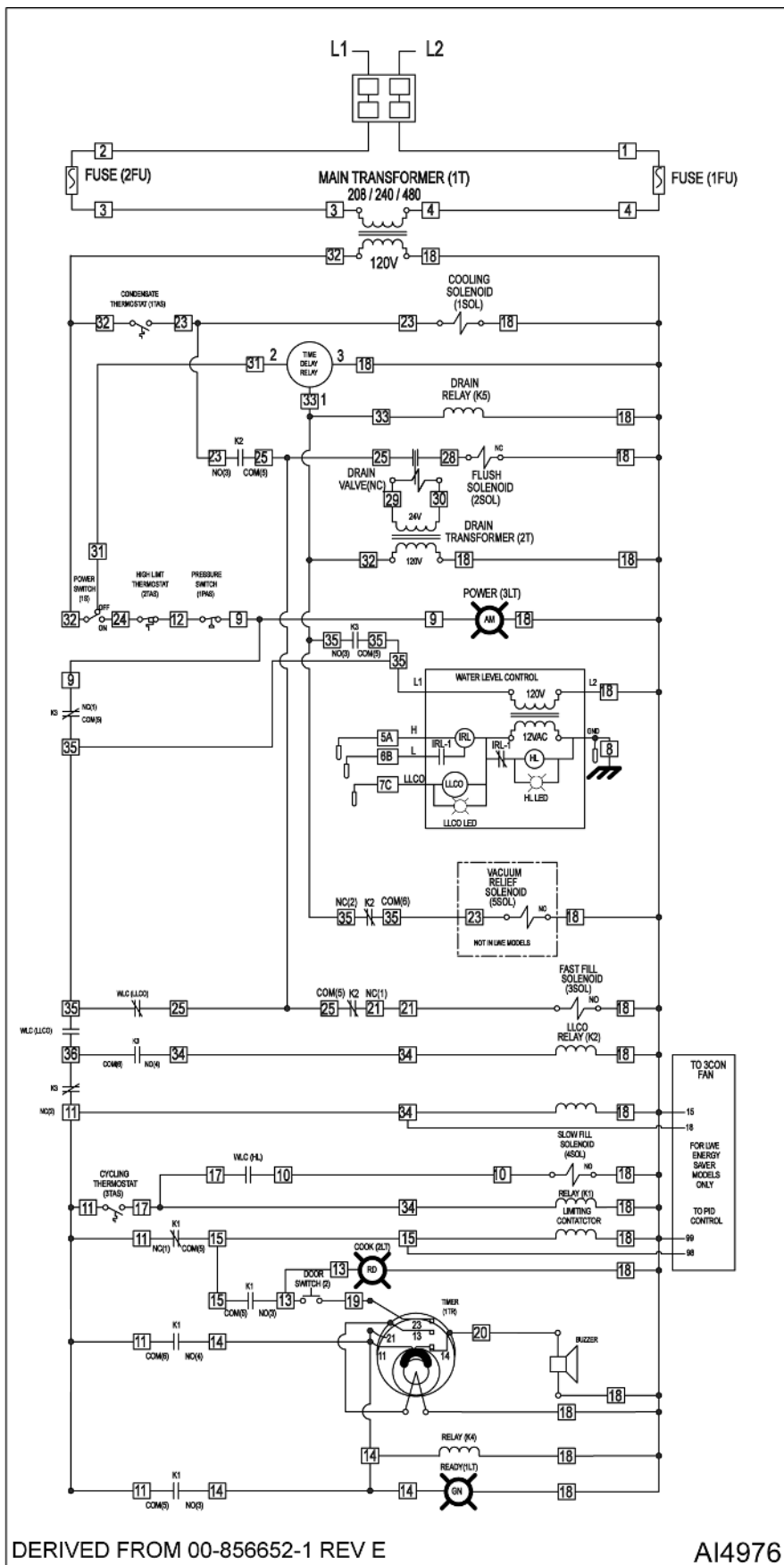
6. Install right side panel.
7. Restore power to steamer.
8. Check timer operation.
 - A. Turn steamer on.
 - B. Set timer on 5 minutes when steamer is ready to cook.
 - C. Verify



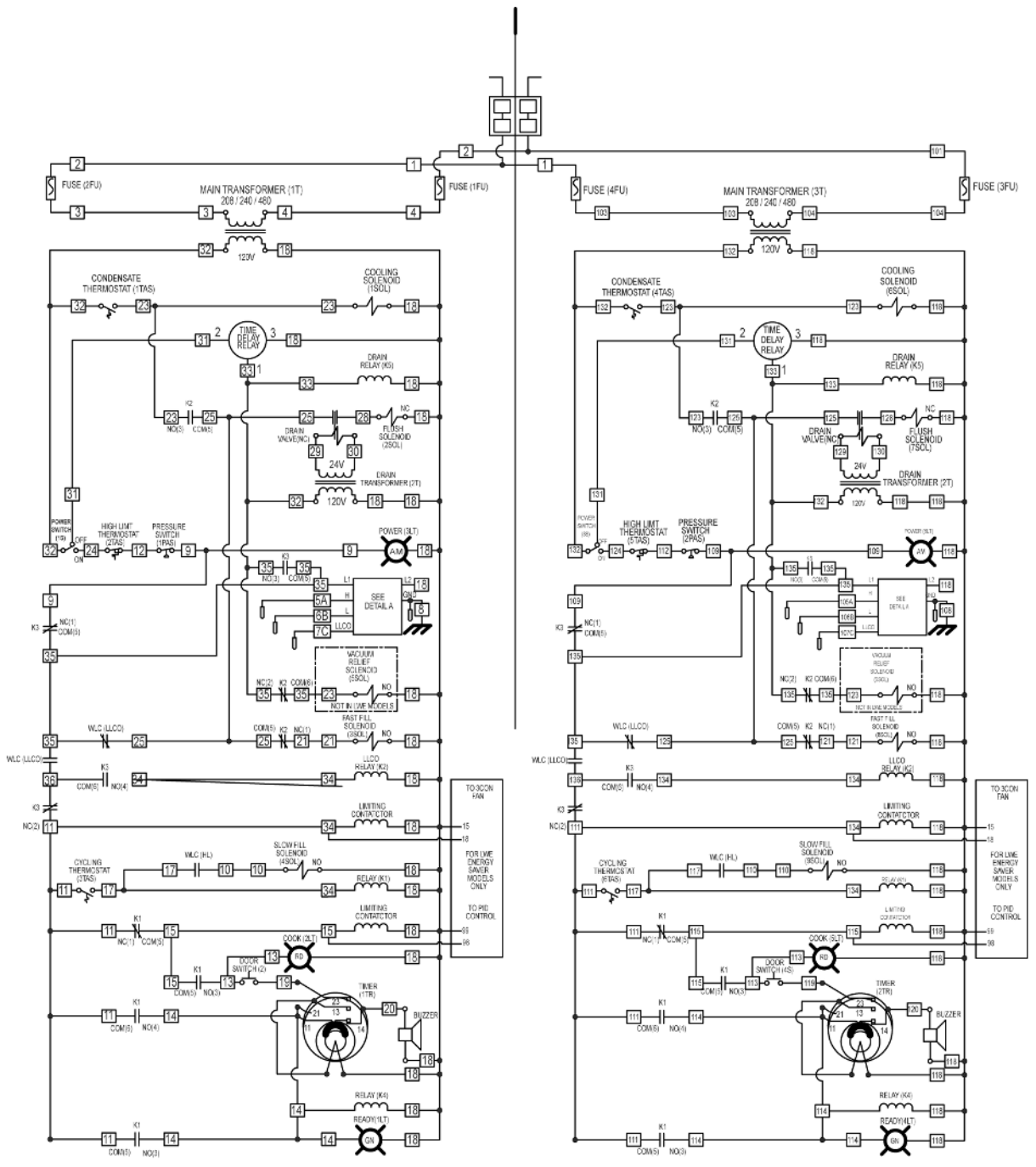
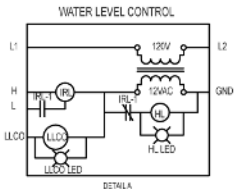
C24EO3/5 and HC24EO3/5 Models - WIRING DIAGRAM
 DERIVED FROM 00-857590-00001 Rev C2

AI5320

C24EO3/5 and HC24EO3/5



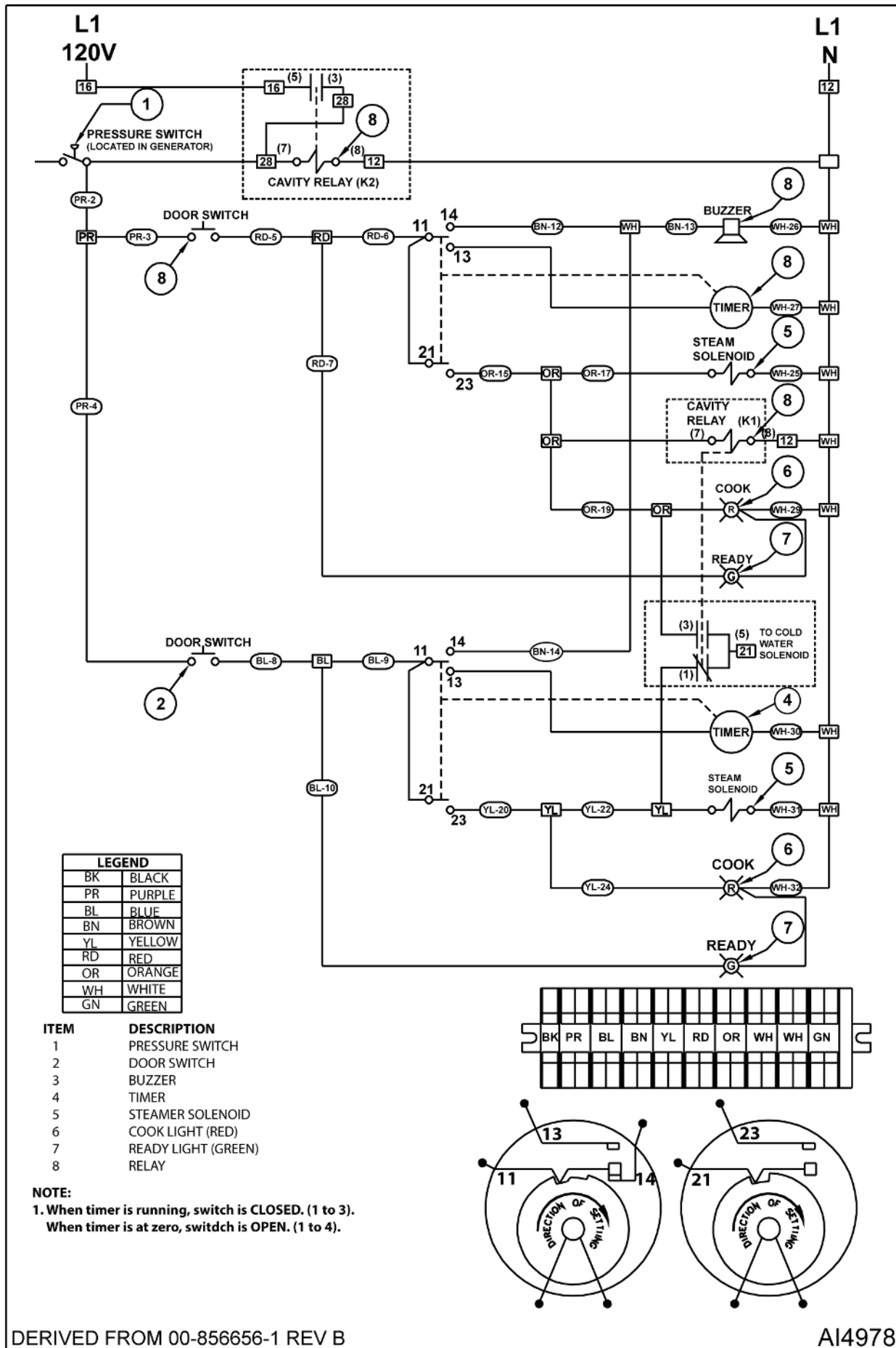
C24EA3/5, and HC24EA3/5 LWE MODELS



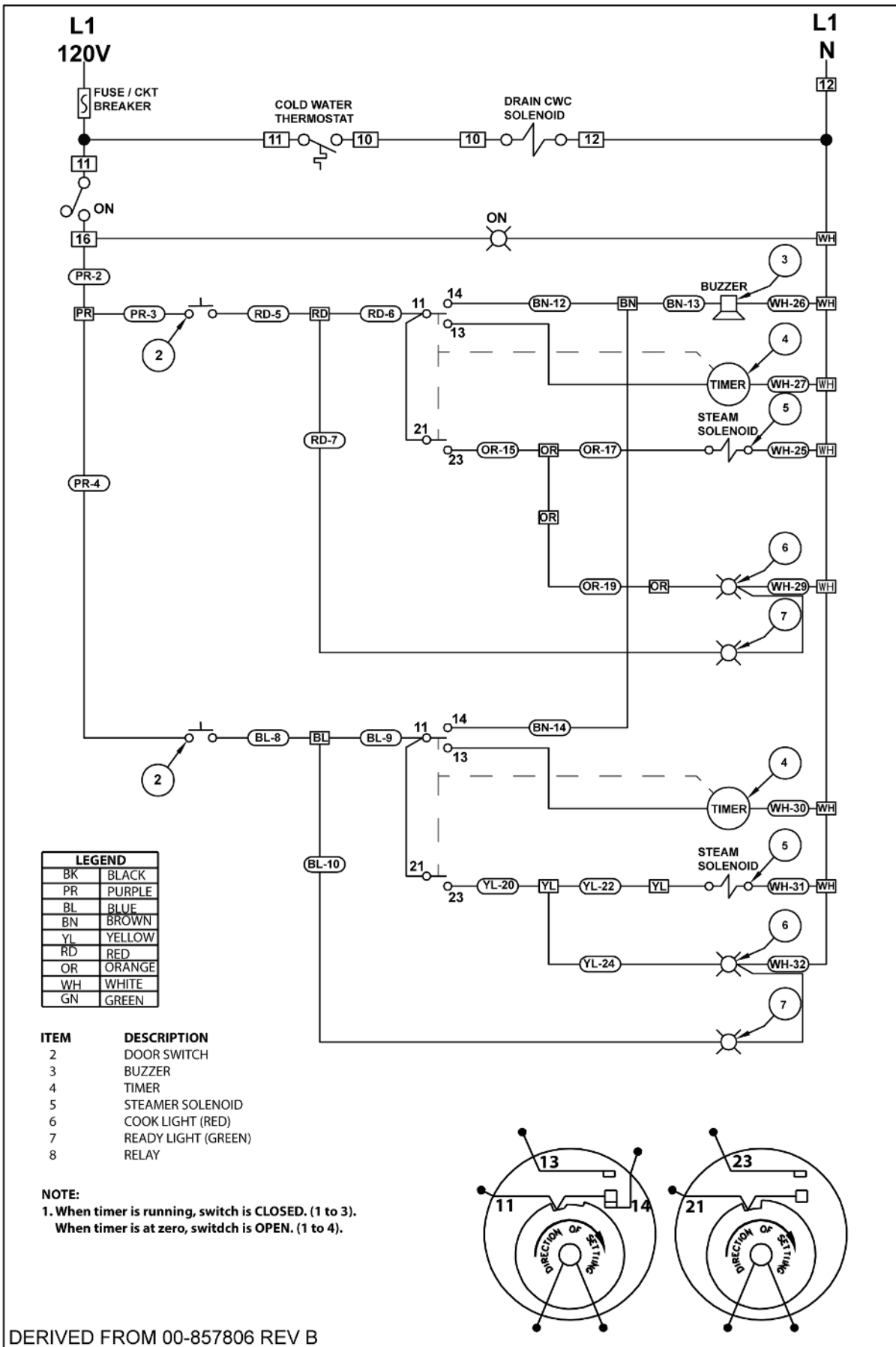
DERIVED FROM 00-858469-1 REV A

AI4977

C24ET6/10 Pro & LWE MODELS



C24GA MODELS



C24DA MODELS

AI4979