

SAFETY

Please read all instructions prior to installation of this product.

This product complies in full with the relevant AS/NZS standards.

Always ensure power is switched off/isolated on circuit before installation, internal cleaning or maintenance.

This product contains NO user serviceable parts. Do not attempt to modify this fitting in any way.

This product should be installed by a suitably qualified person in accordance with Australian and New Zealand wiring rules AS/NZS 3000.

CLEANING INSTRUCTIONS

To maintain the durability and longevity of the product, neutral based chemicals are best suited.

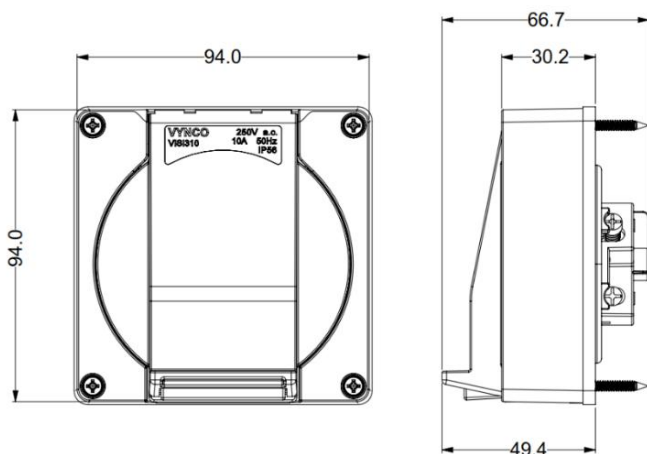
WARRANTY

The warranty protects against defects in workmanship and material. Any defects will be rectified by replacement if the goods are returned to place of purchase, with proof of purchase, and with a brief explanation of the experienced fault.

The warranty does not include compensation for any associated expenses involving installations or removal, such as labour or travel.

The warranty becomes null and void if, in our opinion, the product has been misused, tampered with, incorrectly installed, or subjected to power surges.

Rated Operational Voltage	250V a.c. 50Hz
VISI310 Rating	10A
VISI315 Rating	15A
Pin Shape	Flat
IP Rating	IP66
Terminals Suitable For:	1.0mm ² - 6mm ² conductor
Suitable for indoor & exposed outdoor use.	
For all other specifications for the INDUSTRY range, refer to our website, www.vynco.co.nz	



VYNCO INDUSTRIES (NZ) LIMITED

CHRISTCHURCH

388 Tuam Street, Phillipstown, Christchurch, 8011
PO Box 9022, Tower Junction, Christchurch 8149
New Zealand

P +64 3 379 9283 F +64 3 379 6838

E sales@vynco.co.nz

VYNCO.CO.NZ

AUCKLAND

9 Levene Place, Mount Wellington
PO Box 12 249, Penrose, Auckland 1061
New Zealand

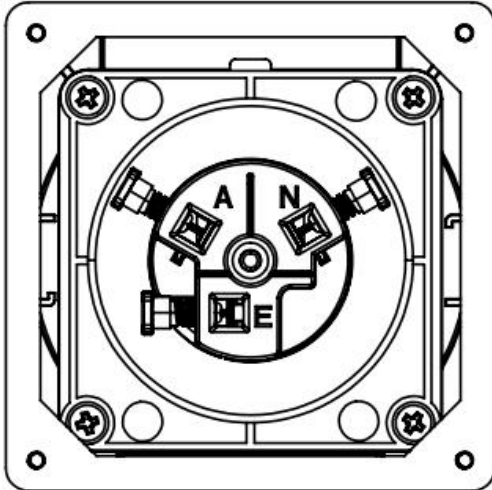
P +64 9 525 6051 F +64 9 525 5799

INSTALLATION INSTRUCTIONS

Wiring must be terminated securely.

Recommended strip length is 10 to 15mm

Maximum terminal screw torque is 0.8Nm



A = Active	Brown or Red
N = Neutral	Blue or Black
E = Earth	Green / Yellow

This product is designed to be fitted to a shallow or deep enclosure. Recommended corner screw fixing torque is 0.6Nm.

Screw covers must be fitted once corner screws are tightened to achieve IP rating.

Use only neutral cure sealant that is suitable for use with polycarbonate plastics. When using any sealant, apply according to the manufacturer's instructions.

VYNCO INDUSTRIES (NZ) LIMITED

CHRISTCHURCH

388 Tuam Street, Phillipstown, Christchurch, 8011

PO Box 9022, Tower Junction, Christchurch 8149

New Zealand

P +64 3 379 9283 F +64 3 379 6838

E sales@vynco.co.nz

VYNCO.CO.NZ

AUCKLAND

9 Levene Place, Mount Wellington

PO Box 12 249, Penrose, Auckland 1061

New Zealand

P +64 9 525 6051 F +64 9 525 5799