

10.1" Industrial display



- 10.1" brilliant TFT-LCD graphic display,
- 1280 x 800 pixels
- Die-cast aluminium housing, low installation depth
- Flush frame design, IP65 on the front
- HDMI, DVI and VGA interfaces

<https://www.wachendorff-electronics.com/DPL002-101R002P>

Description

The Series 1 industrial displays are available in sizes from 10.1" to 23.8" and can be equipped with projected capacitive, resistive or no touchscreen. Particularly noteworthy is the front frame, which is only 3 mm thick, allowing almost flush mounting in the panel cut-out.

The housings are IP65 rated on the front and have a very compact and robust design thanks to the specially designed aluminium housing. The low installation depth means that the displays can be used almost anywhere.

Product-Details

Power supply:	12 VDC to 36 VDC
Power consumption:	Typical power consumption: 18 W Maximum power consumption: 48 W
Display:	10.1" TFT-LCD
Resolution:	1280 x 800 pixels
Aspect ratio:	16:10
Brightness:	400 cd/m ²
Colours:	16.7 M.
Reading angle:	85/85/85/85 (L/R/U/D)
Touchscreen:	resistive touch
Glas hardness:	3H Resistive touch
I/O-ports:	USB: RJ45-USB for Touch Display: 1x HDMI, 1x DVI, 1x VGA Audio: 3.5 mm jack
Housing:	Die-cast aluminium housing
Mounting:	VESA 75 x 75, VESA 100 x 100 Panel mount
Protection class:	IP65 on the front
Gewicht:	Approx. 1.6 kg
Dimensions (WxHxD):	293.6 mm x 193.6 mm x 53.5 mm
Environmental conditions:	Operation: -10 °C to +65 °C Storage: -20 °C to +75 °C 10 % to 80 % rFn at 40 °C, non-condensing
Certifications:	CE FCC Class A CCC
Packing list:	1x device 1x mounting material 1x RJ-45 to USB cable 1x VGA cable
Tariff number:	85285210
Manufacturer:	Wachendorff Prozesstechnik

Products Order no.

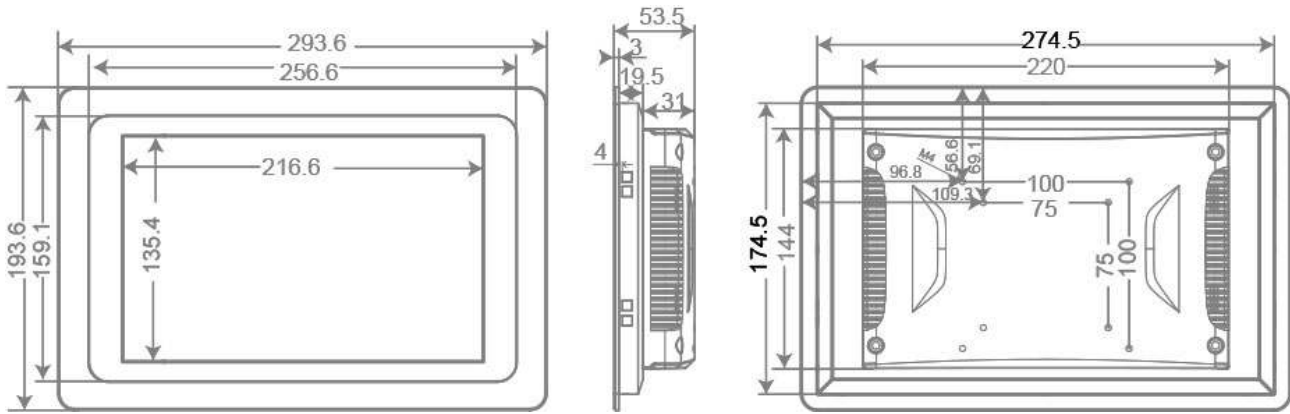
DPL002-101R002P	10.1 inch industrial display Aluminum housing, resistive touch
-----------------	---

Accessories Order no.

PPC-PWRCRD_01	Mains cable / connection cable E+F CEE 7/7 to C13 1.5 m
DPL-PWRADAP_24VDC1.5A	External power supply unit for display, 230 VAC to 24 VDC with hollow connector and C14 plug
PPC-TOUCH-RJ-USB	Touch cable RJ-45 to USB type-A 1.5 m (spare part)
PPC-WALL-VESA-01	VESA Wandhalterung Metall, 75 x 75, 100 x100, schwarz, inklusive Schrauben-Zubehörpaket
JWS-ZJ01	Industrial monitor/display stand, VESA 100x100, black
JWS-ZJ02	Industrial monitor/display stand, VESA 100x100, silver

Drawings

Dimensions (mm) and STL-Data/Viewer:





Wachendorff Prozesstechnik GmbH & Co. KG
Industriestrasse 7 • 65366 Geisenheim
Germany

Phone: +49 (0) 67 22 / 99 65 - 20
E-Mail: wp@wachendorff.de
www.wachendorff-prozesstechnik.de

