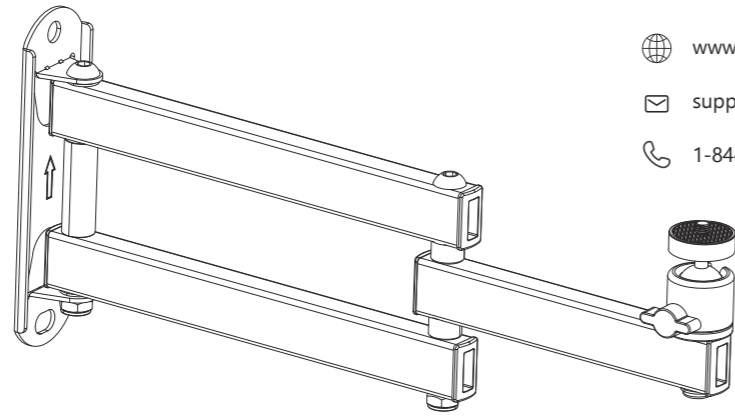




INSTALLATION MANUAL PROJECTOR MOUNT

1330LM-PM



www.walielectric.com
support@walielectric.com
1-844-SATTLER (18447288537)

⚠ WARNING

If you do not understand these directions, or if you have any doubts about the safety of the installation, please call a qualified technician. Check carefully to make sure there are no missing or defective parts. Improper installation may cause damage or serious injury. Do not use this product for any purpose that is not explicitly specified in this manual. Do not exceed weight capacity. We cannot be liable for damage or injury caused by improper mounting, incorrect assembly or inappropriate use. DO NOT Mount on Drywall and/or vaulted ceiling.

⚠ TIPOVER WARNING

SERIOUS OR FATAL CRUSHING INJURIES CAN OCCUR FROM TIPOVER. TO HELP PREVENT TIPOVER:

- NEVER ALLOW CHILDREN TO CLIMB, STAND, HANG, OR PLAY ON ANY PART OF PROJECTOR MOUNT.
- USE TIPOVER RESTRAINT OR ANCHOR STAND TO WALL.
- DO NOT MOUNT ON DRYWALL AND/OR VAULTED CEILING.

USE OF TIPOVER RESTRAINTS MAY ONLY REDUCE, BUT NOT ELIMINATE RISK OF TIP OVER.

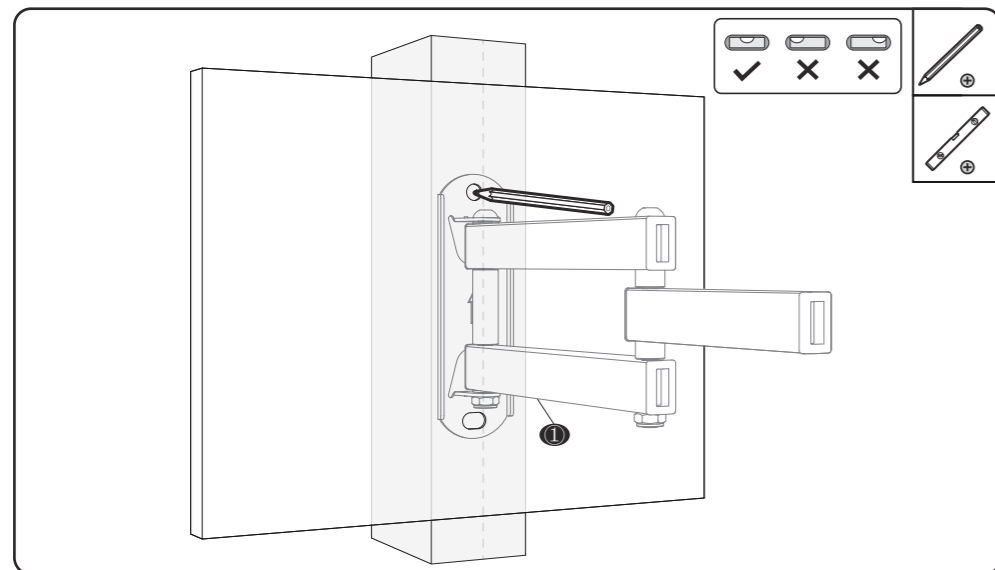
SMALL PARTS- NOT FOR CHILDREN UNDER 3 YEARS. ADULT SUPERVISION IS REQUIRED.

Supplied Parts List

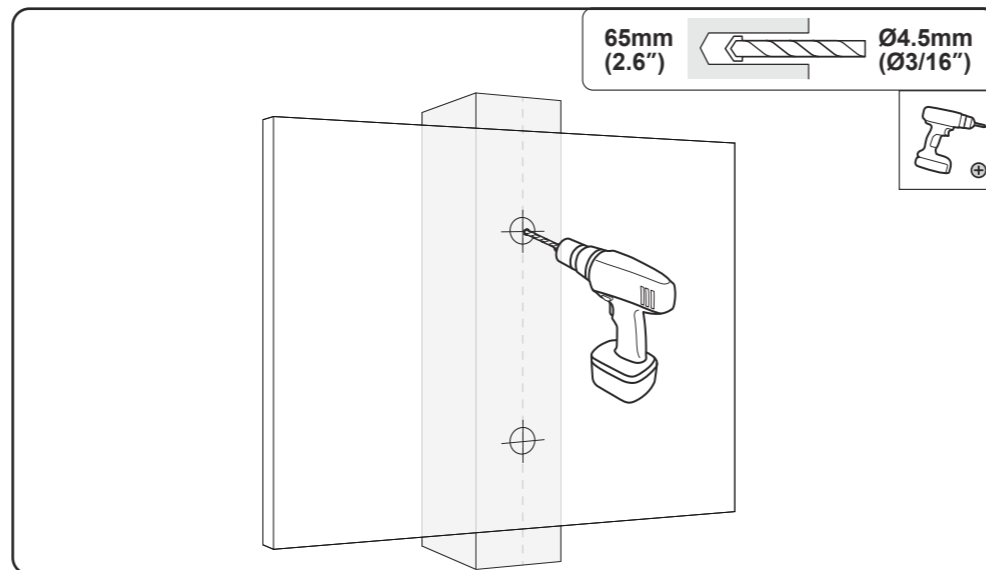
						Tools Needed(Not Included)					
Wall Plate & Articulating Arms ① (x1)	M6x35 Bolt & Washer A (x1)	Lag Bolt B (x2)	Concrete Anchor C (x2)	Lag Bolt Washer D (x2)	Lag Bolt Cover E (x2)	Stud Finder	Bubble Level	Pencil	Electric Drill	Socket Wrench	Screwdriver

1 Wall Mounting

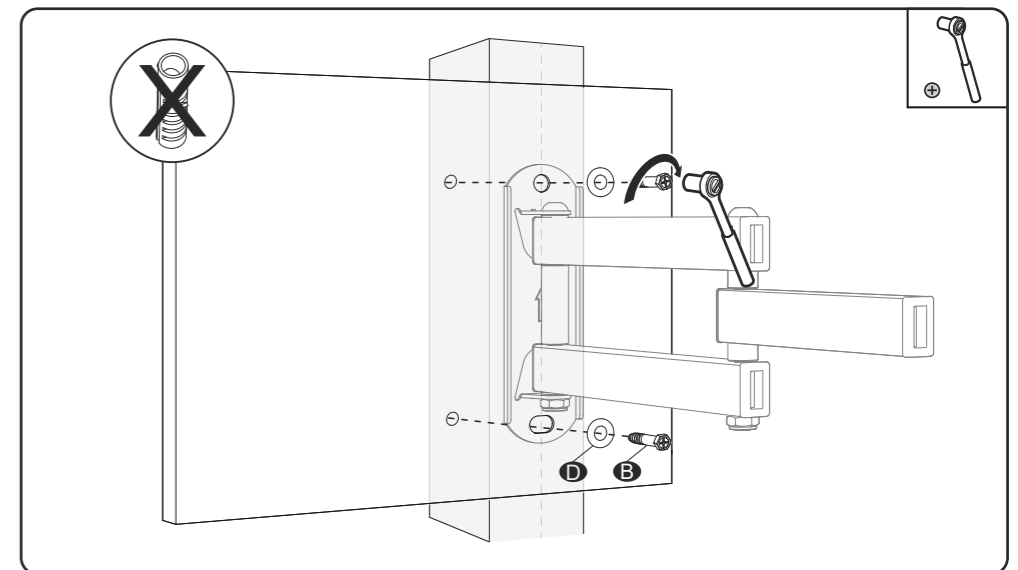
a. Wood Stud
Mark the position with Bubble Level & pencil on the wall.



2 Drill 3/16" (4.5mm) diameter x 2.6" (65mm) length holes at the marked position.

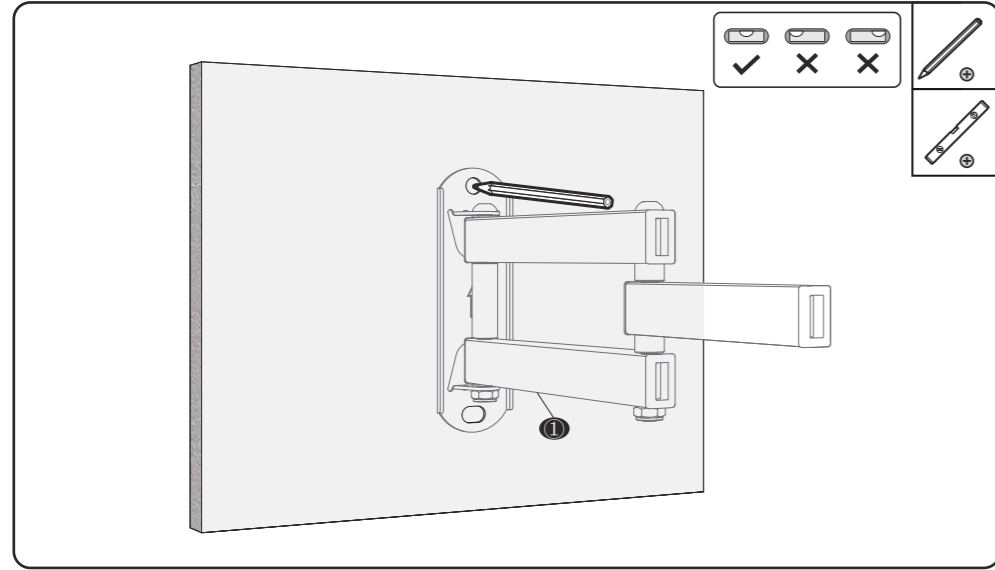


3. Attach the bracket to the wall and tighten using Lag Bolt **B** and Lag Washer **D** with a socket wrench or screwdriver



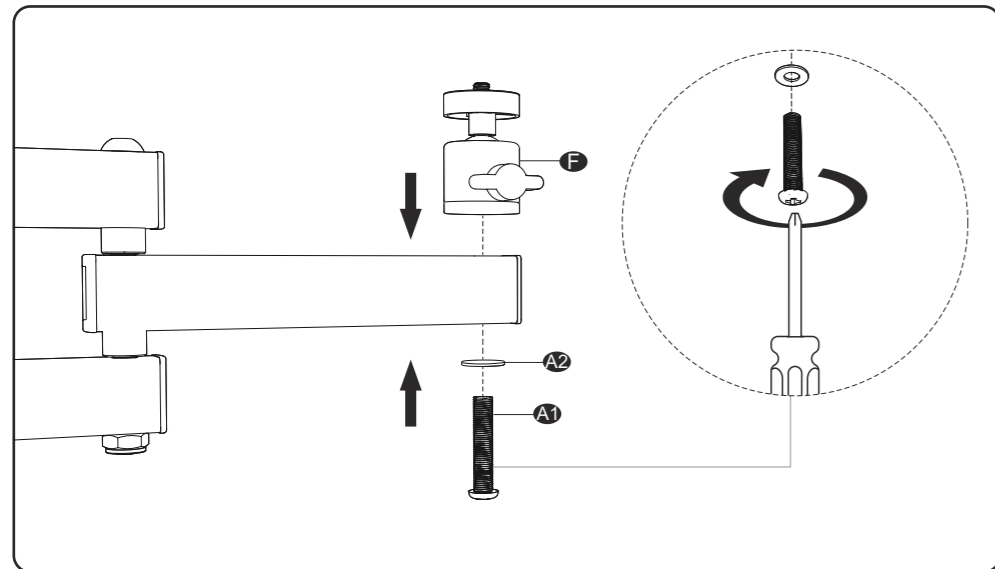
b. Concrete Wall

1. Mark the position with Bubble Level & pencil on the wall.

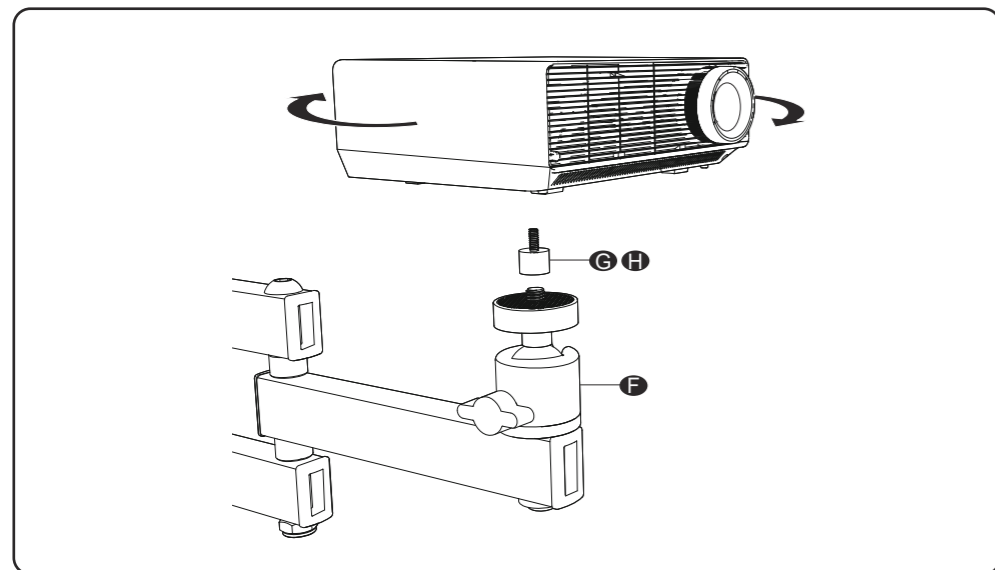


2

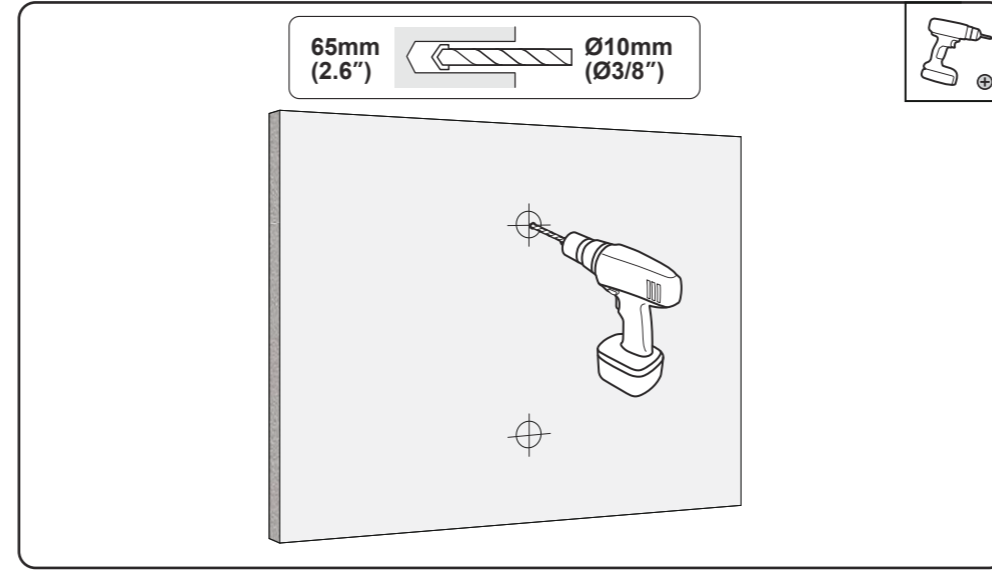
2.1 Attach Universal Head **F** to Wall Plate & Articulating Arms and tighten using M6x35 Bolt & Washer **A** with a screwdriver.



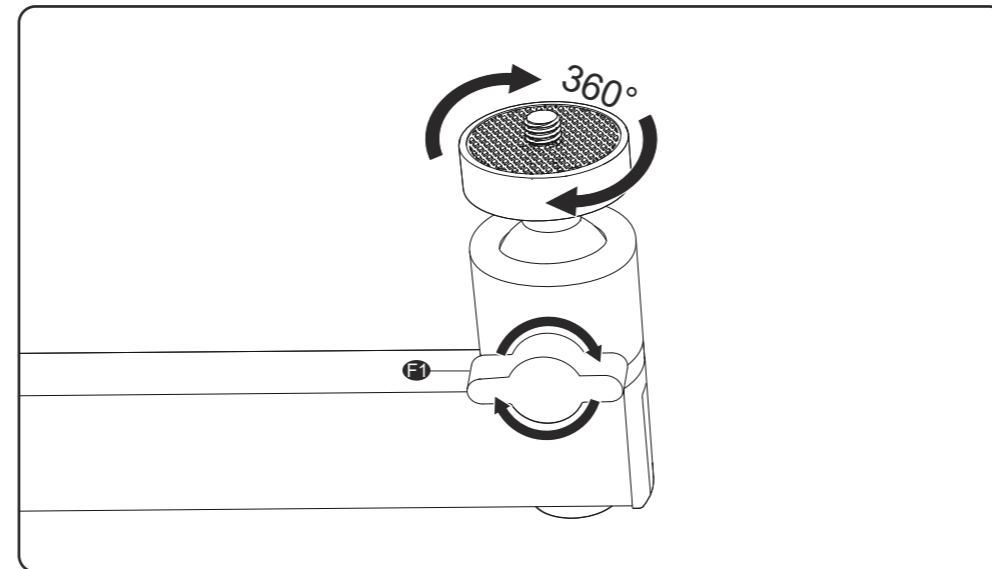
3.2a: **Screw adapter required**
Attach projector to the Spherical Universal Head **F** using Screw Adapter 1/4" to M4 **G** or Screw Adapter 1/4" to M6 **H**.



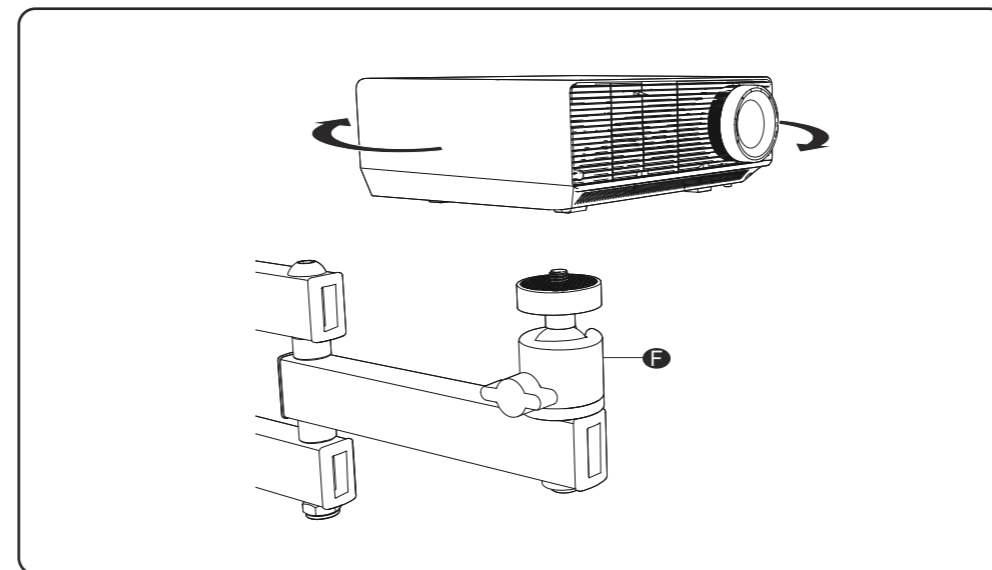
2 Drill 3/8" (10mm) diameter x 2.6" (65mm) length holes at the marked position.



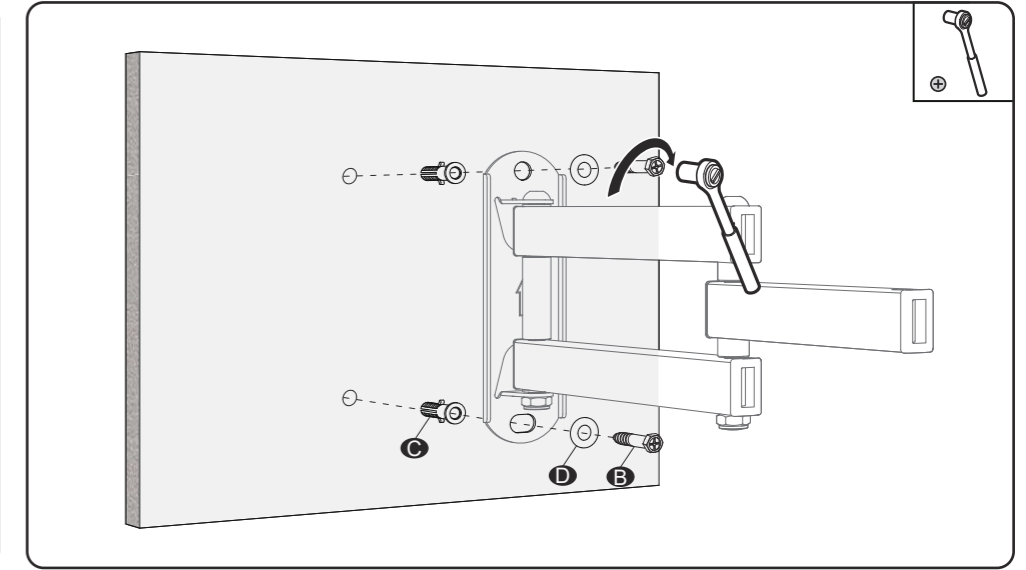
2.2 Adjust the desired angle and tighten the thumb screw **F**.



3.2b: **No Screw Adapter Required**
Attach projector to the Spherical Universal Head **F**.

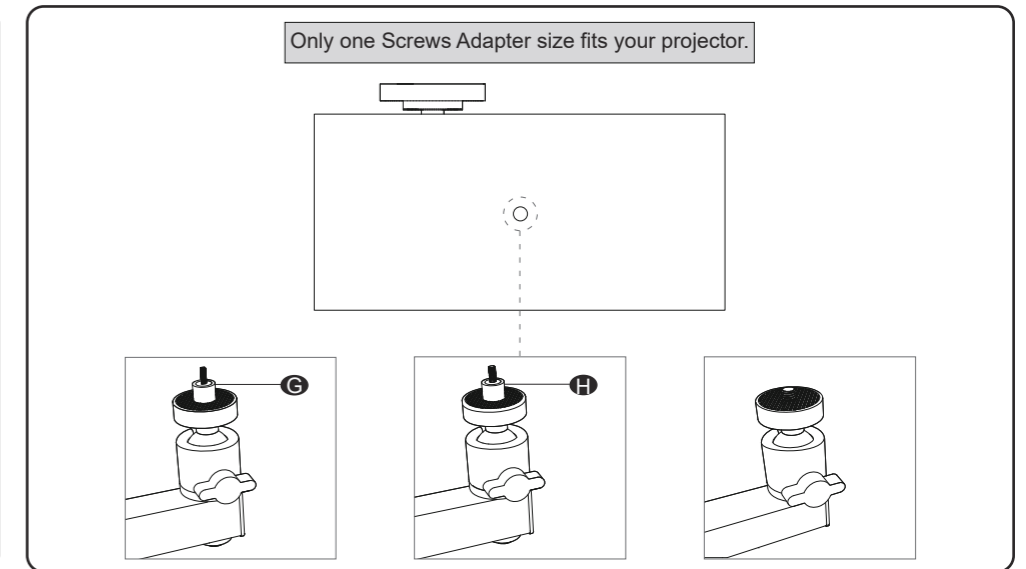


3. Insert the Concrete Anchor **C** into the mounting holes. Attach the bracket to the wall and tighten using Lag Bolt **B** and Lag Bolt Washer **D** with a socket wrench or screwdriver



3 **Select Projector Screws Adapter**

3.1: **Predetermine your projector's bolt type.**



4 **Attach the Bolt Cover**

