

INSTALLATION MANUAL

TV Wall Mount

1342LM

www.walielectric.com
 support@walielectric.com
 1-844-SATTLER (18447288537)

RATED
 (15kg/33lbs)

75x75\100x100
 100x200\200x200

MAX 39°

WARNING

If you do not understand these directions, or if you have any doubts about the safety of the installation, please call a qualified technician. Check carefully to make sure there are no missing or defective parts. Improper installation may cause damage or serious injury. Do not use this product for any purpose that is not explicitly specified in this manual. Do not exceed weight capacity. This product is designed to be installed on wood stud walls, solid concrete walls or brick walls. Do not mount on drywall alone. We cannot be liable for damage or injury caused by improper mounting, incorrect assembly or inappropriate use.

TIPOVER WARNING

SERIOUS OR FATAL CRUSHING INJURIES CAN OCCUR FROM TIPOVER. TO HELP PREVENT TIPOVER:

- NEVER ALLOW CHILDREN TO CLIMB, STAND, HANG, OR PLAY ON ANY PART OF MONITOR OR STAND.
- USE TIPOVER RESTRAINT OR ANCHOR STAND TO WALL.

USE OF TIPOVER RESTRAINTS MAY ONLY REDUCE, BUT NOT ELIMINATE RISK OF TIP OVER.

SMALL PARTS- NOT FOR CHILDREN UNDER 3 YEARS. ADULT SUPERVISION IS REQUIRED.

Supplied Parts List

Wall Plate & Articulating Arms a (x1)	VESA Plate b (x1)	Adapter c (x2)	Adapter d (x2)	M4x10 Bolt e (x8)	M4 Nut f (x8)	M4x14 Bolt h (x4)	M5x14 Bolt i (x4)	M6x14 Bolt j (x4)	
M8x20 Bolt k (x4)	D5 Washer l (x4)	D8 Washer m (x4)	M4x6 Bolt n (x2)	Bolt Cover o (x2)	Wrench p (x1)	Lag Bolt Washer q (x2)	Lag Bolt r (x2)	Concrete Anchor s (x2)	Cable Tie t (x3)

1 Install the Wall Plate to the Wall

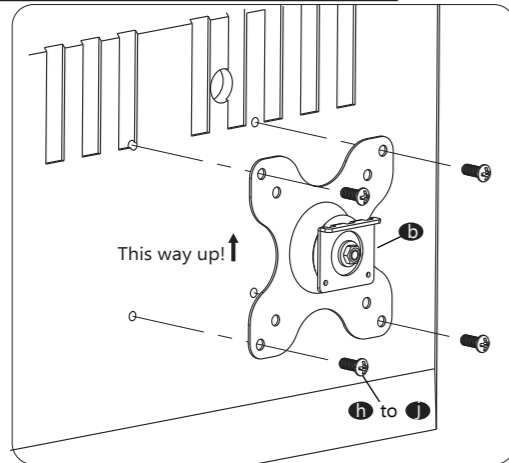
Option A : Brick Mount

Option B : Wood Mount

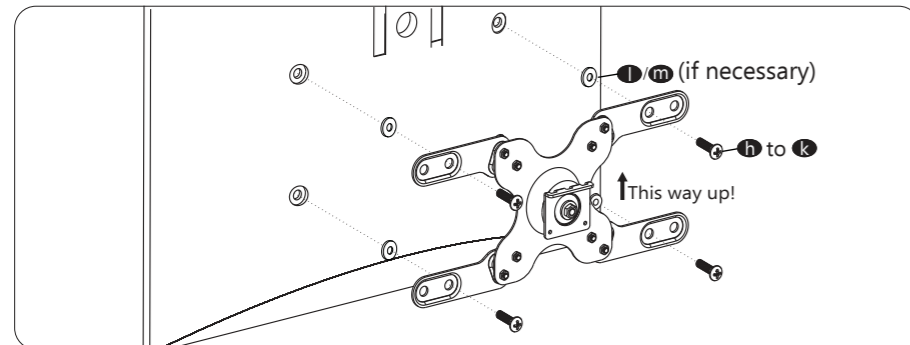
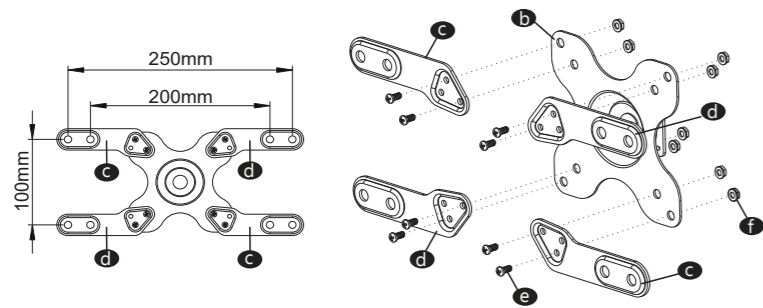
2 Attach VESA Plate to the Mounting Hole of TV

For VESA 75x75mm and 100x100mm Mounting Holes

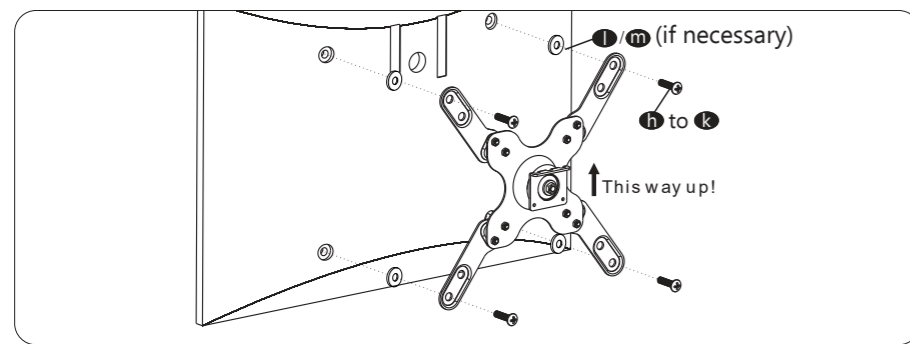
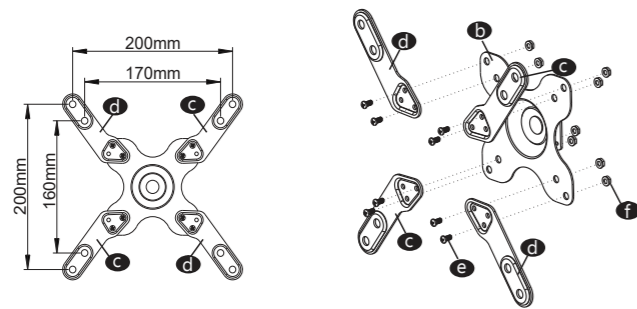
For Flat Back TV



For VESA 100x200mm Mounting Holes

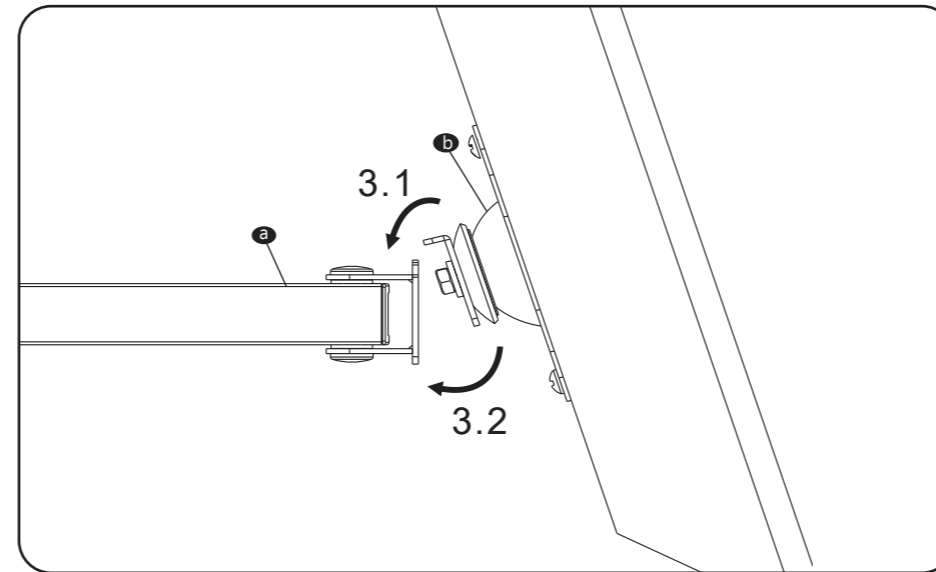


For VESA 200x200mm Mounting Holes



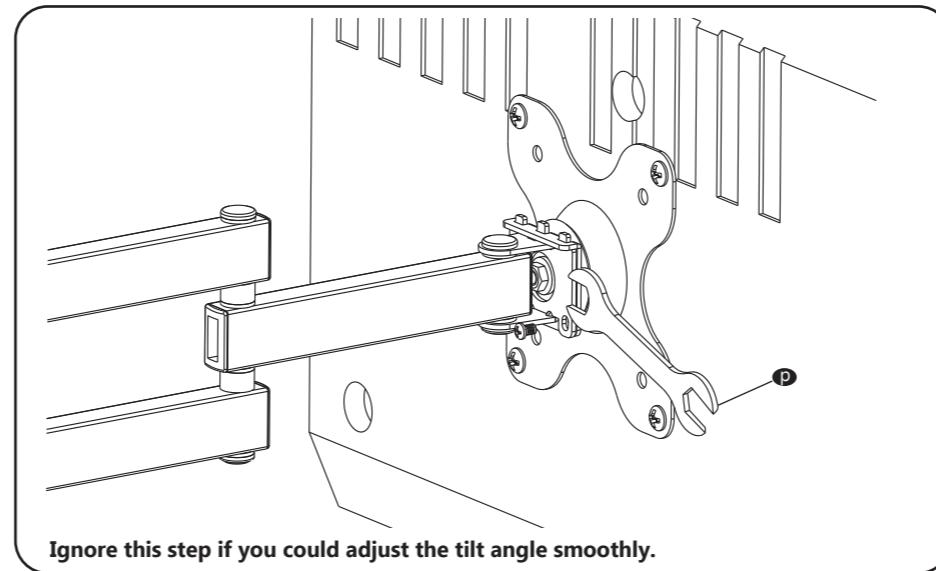
3

Attach the VESA plate **b** to the socket on the Articulating Arm **a** and ensure the stability.



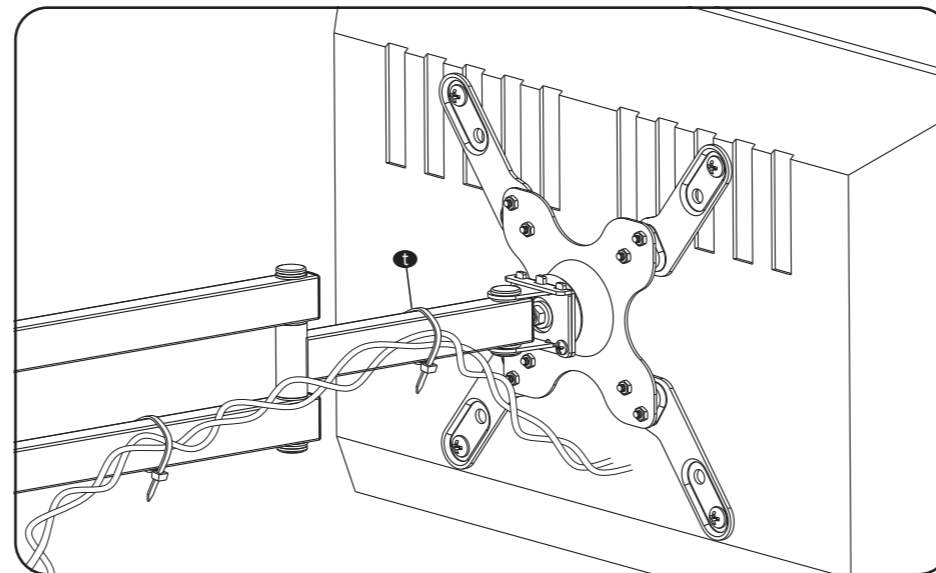
5

Loosen the nut (if needed) as the image shown with Wrench **p**.



7

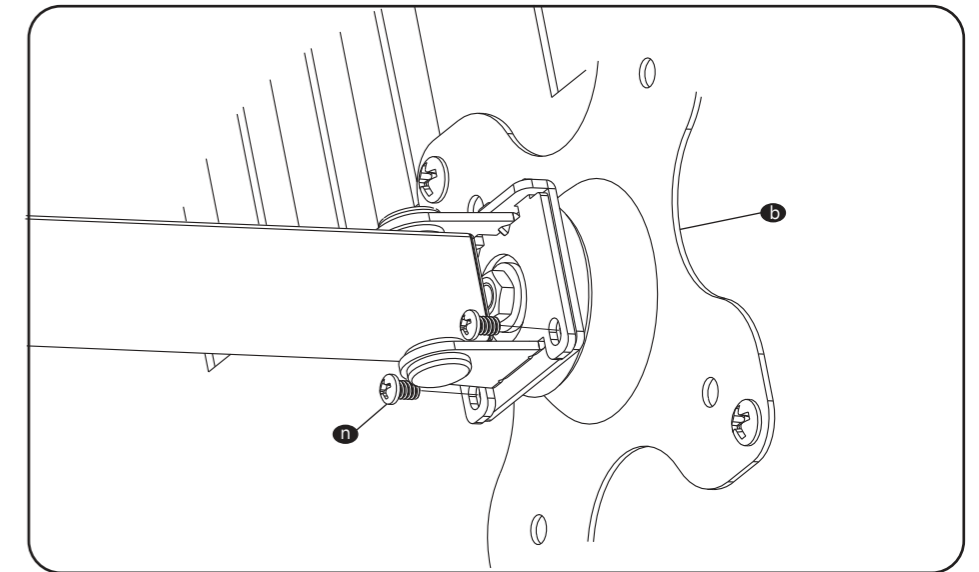
Manage wires with included Cable Ties **t**.



4

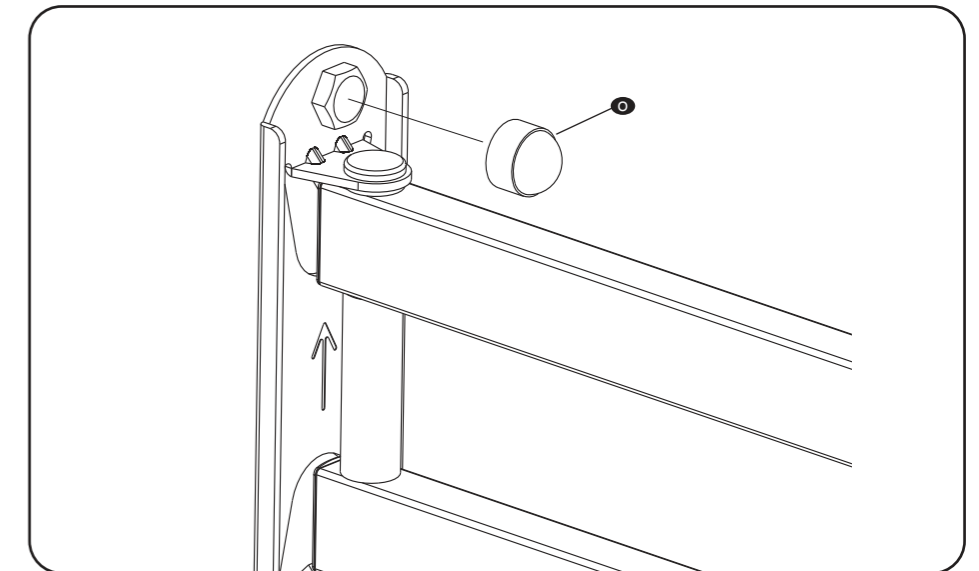
Tighten the VESA plate **b** using M4x6 Bolt **n**.

Notice: Please do not rotate the monitor before you tighten the bolts.



6

Fix the Bolt Cover **o** onto the front of the mount part.



8

Manually swivel, tilt, and rotate the monitor for the best viewing angle.

