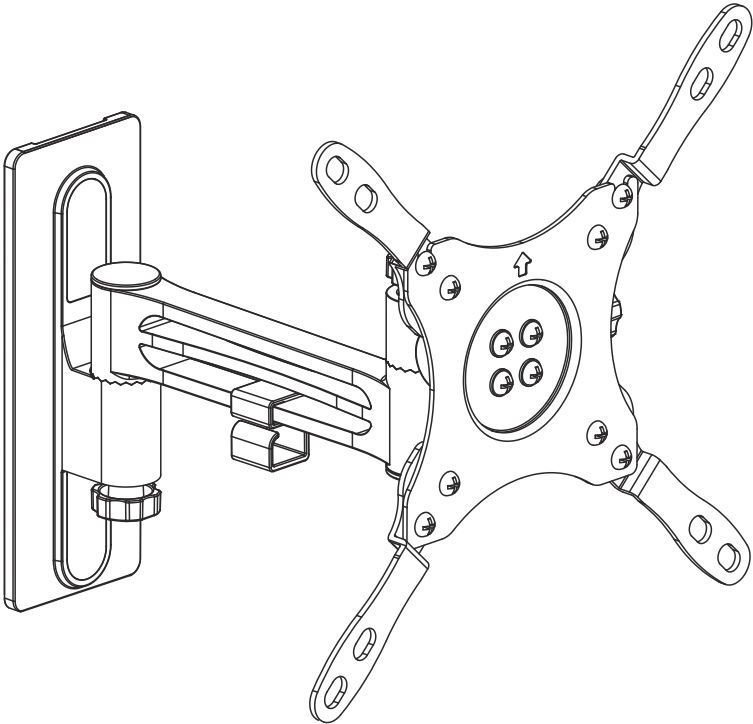




Full-Motion TV Wall Mount



1343LKS

 75x75/100x100
200x100/200x200

 **43"**
MAX

 **15kg**
(33lbs)
RATED



WARNING!

If you do not understand these directions, or if you have any doubts about the safety of the installation, please call a qualified technician. Check carefully to make sure there are no missing or defective parts. Improper installation may cause damage or serious injury. Do not use this product for any purpose that is not explicitly specified in this manual. Do not exceed weight capacity. This product is designed to be installed on wood stud walls, solid concrete walls or brick walls. Do not mount on drywall alone. We cannot be liable for damage or injury caused by improper mounting, incorrect assembly, or inappropriate use.



TIPOVER WARNING

SERIOUS OR FATAL CRUSHING INJURIES CAN OCCUR FROM TIPOVER.

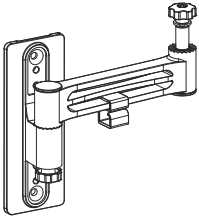
TO HELP PREVENT TIPOVER:

- NEVER ALLOW CHILDREN TO CLIMB, STAND, HANG, OR PLAY ON ANY PART OF MONITOR OR STAND.
- USE TIPOVER RESTRAINT OR ANCHOR STAND TO WALL.

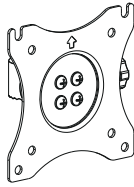
USE OF TIPOVER RESTRAINTS MAY ONLY REDUCE, BUT NOT ELIMINATE RISK OF TIP OVER.

SMALL PARTS- NOT FOR CHILDREN UNDER 3 YEARS. ADULT SUPERVISION IS REQUIRED.

Supplied Parts List



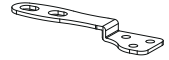
Arm
A(x1)



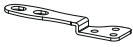
VESA Plate
B(x1)



Decor Cover
C(x2)



Adapter
D(x2)



Adapter
E(x2)



Bolt
F(x8)



Nut
G(x8)



Bubble Level
H(x1)



Allen Key
I(x1)



M4x14 Bolt
M-A(x4)



M5x14 Bolt
M-B(x4)



M6x14 Bolt
M-C(x4)



M8x20 Bolt
M-D(x4)



D5 Washer
M-E(x4)



D8 Washer
M-F(x4)



Spacer
M-G(x8)



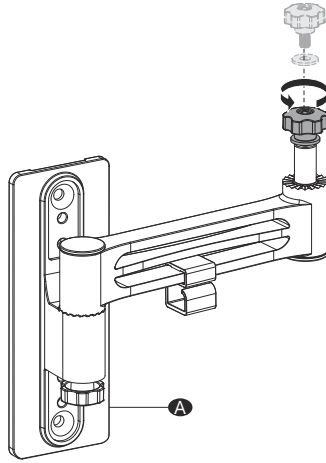
Bolt
W-A(x2)



Concrete Anchor
W-B(x2)

Step 1

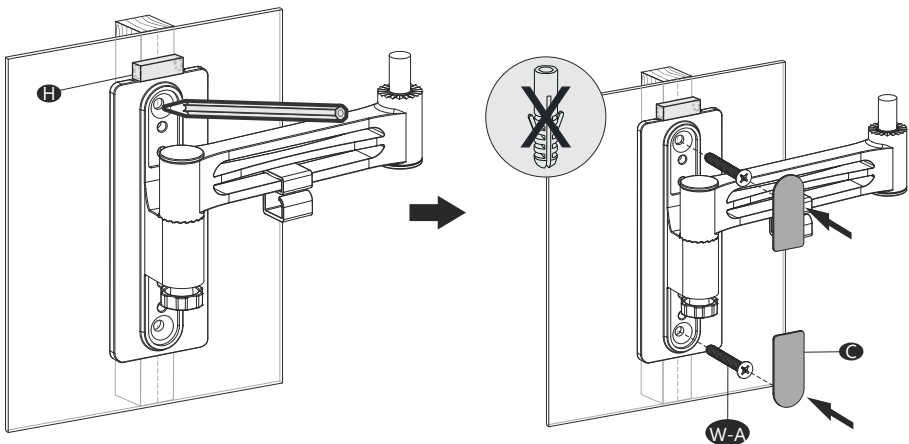
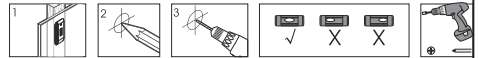
Twist the knob as the image shown to release the knob and washer.



Step 2

Option A Wood Stud

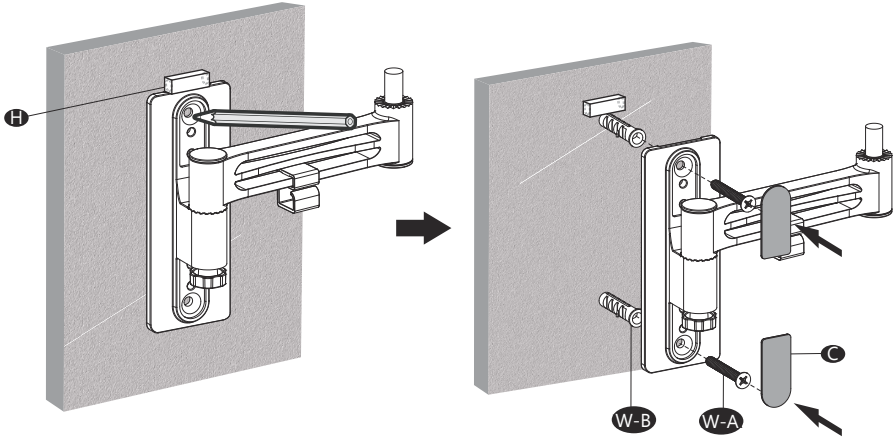
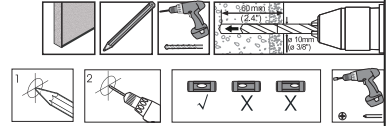
If installing this product on wood stud, mark the position with Bubble Level **H** & pencil on the wall. Drill $3/16"$ (4.5mm) diameter x 2.2" (55mm) length holes at the marked position, attach the mount to wood stud and tighten using Bolt **W-A** with screwdriver. Fix Décor Cover **C** onto the front of mount part. (Screwdriver not included)



Step 2

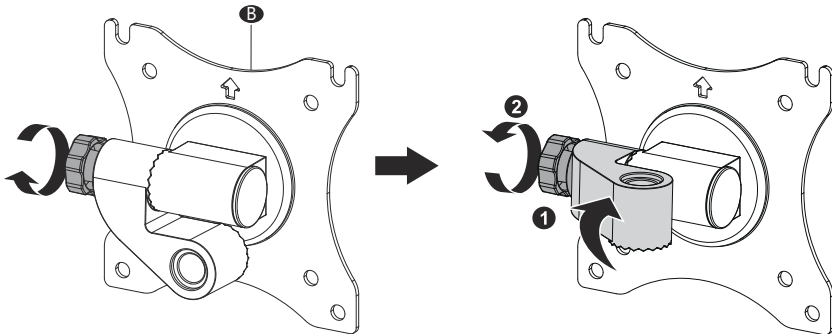
Option B Concrete Wall

If installing this product on concrete wall, mark the position with Bubble Level **H** & pencil on the concrete wall. Drill $3/8"$ (10mm) diameter x $2.4"$ (60mm) length holes at the marked position, attach the mount to concrete wall and tighten using Bolt **W-A** & Concrete Anchor **W-B** with screwdriver. Fix Décor Cover **C** onto the front of mount part. (Screwdriver not included)



Step 3

Twist the knob on the VESA Plate **B** to open the arm and ensure the arm is vertical.

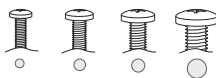


Step 4

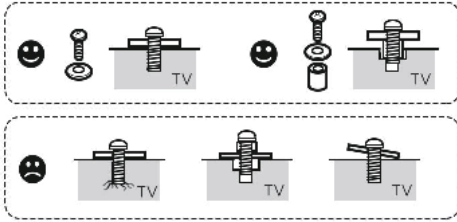
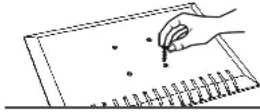
Step 4.1 Select TV Screws

Only one screw size fits your TV

M4 M5 M6 M8

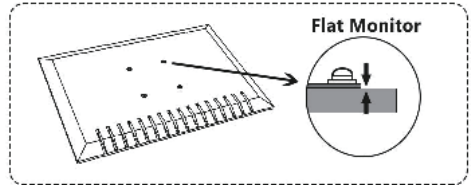


Hand thread screws into the threaded inserts on the back of your TV to determine which screw diameter (M4,M5,M6 or M8) to use.

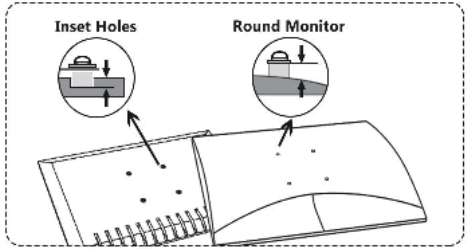


Step 4.2 Select Spacers (if needed)

NOT NEEDED

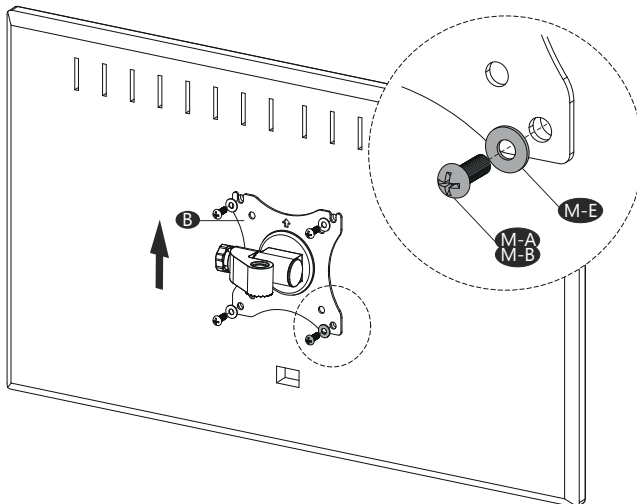


NEEDED FOR



Step 4.3a

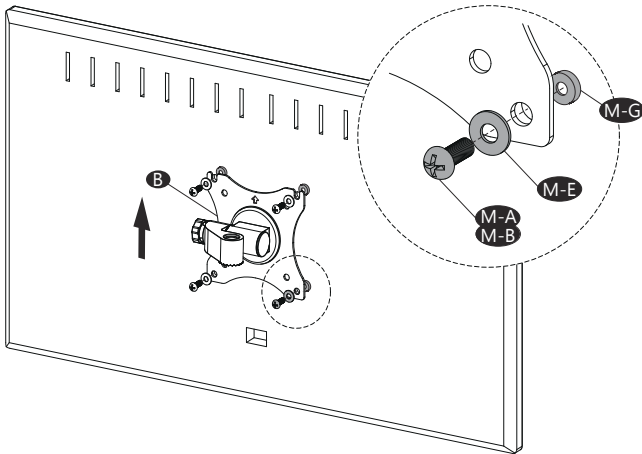
Select M4x14 Bolt (M-A) or M5x14 Bolt (M-B) according to your TV/Monitor specification, connect VESA Plate (B) together with D5 Washer (M-E) into the mounting holes on the back of TV/Monitor, tighten with screwdriver.(Screwdriver not included)



Step 4

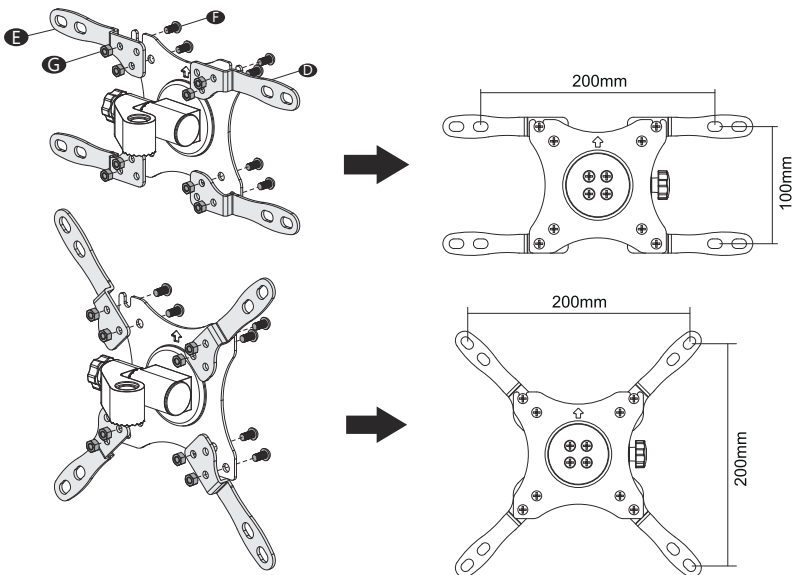
Step 4.3b

Select M4x14 Bolt (M-A) or M5x14 Bolt (M-B) according to your TV/Monitor specification, connect VESA Plate (B) together with D5 Washer (M-E) and Spacer (M-G) into the mounting holes on the back of TV/Monitor, tighten with screwdriver. (Screwdriver not included)



Step 4.3c

Select the VESA size according to TV/Monitors specification as shown in image, connect the Adapter (D) & Adapter (E) to VESA Plate (B) using Bolt (F), Nut (G) to tighten with wrench and screwdriver. (Wrench and Screwdriver not included)



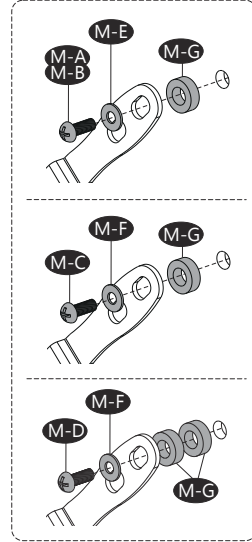
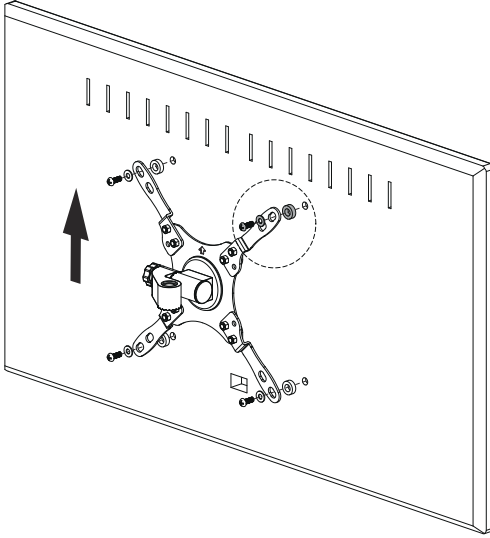
Step 4

Step 4.3c



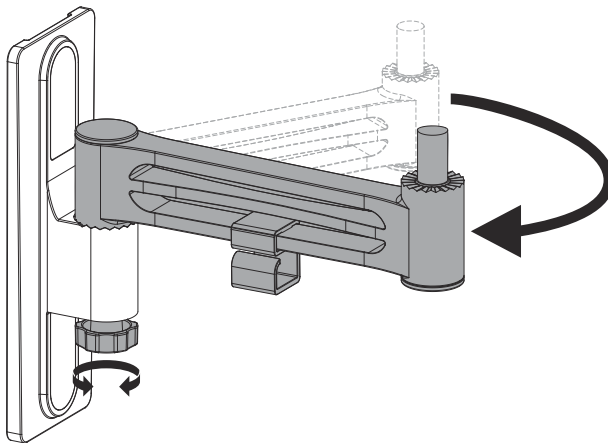
Three options are available for multiple TV/Monitor specifications.

- 1) Connect M4x14 Bolt (M-A) or M5x14 Bolt (M-B) together with D5 Washer (M-E), Spacer (M-G) and tighten with screwdriver;
- 2) Connect M6x14 Bolt (M-C) together with D8 Washer (M-F), Spacer (M-G) and tighten with screwdriver;
- 3) Connect M8x20 Bolt (M-D) together with D8 Washer (M-F), 2 pcs Spacer (M-G) and tighten with screwdriver; (Screwdriver not included)



Step 5

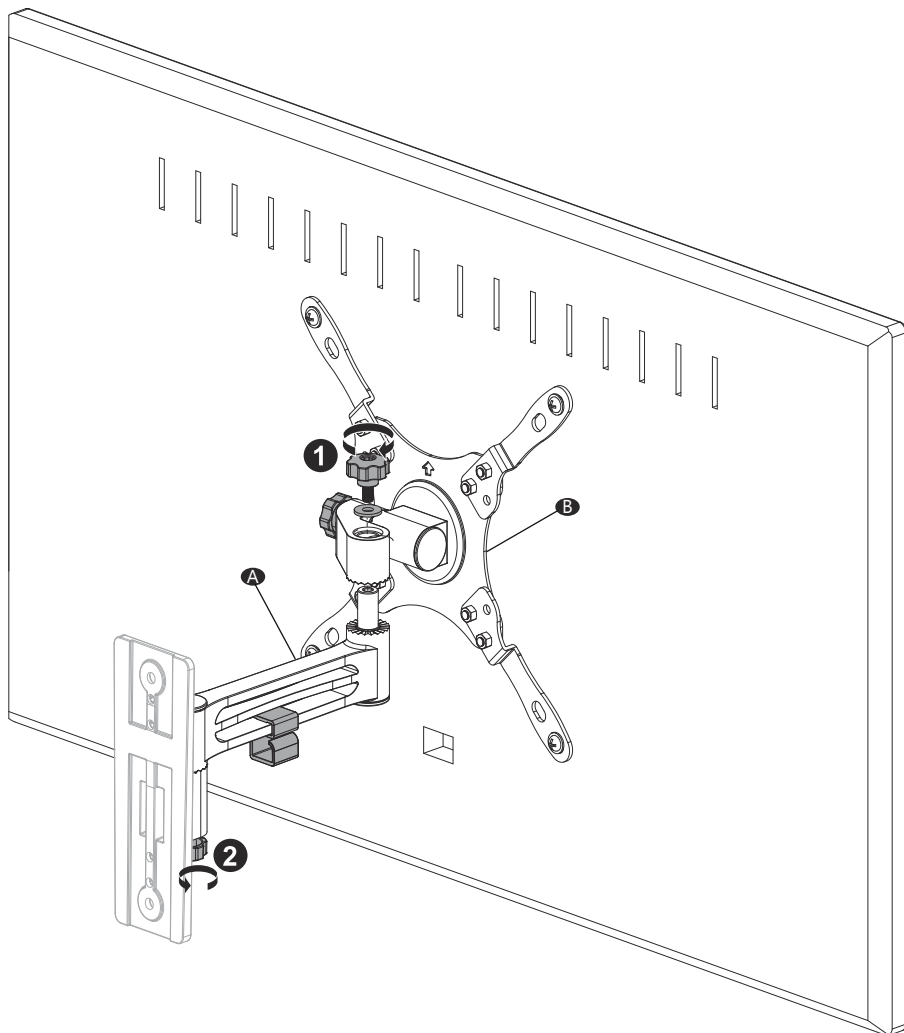
Twist the knobs to adjust the arm to be away from wall as image shown.



Step 6

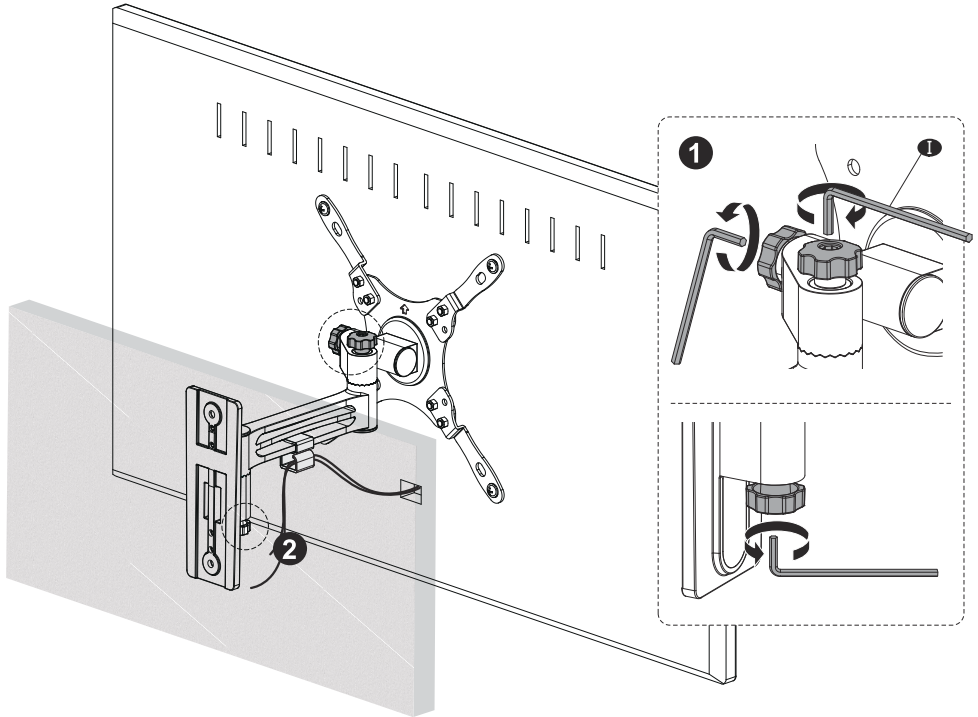


Place the assembled TV/Monitors onto the Arm **A**, twist the knob as shown in image (#1) to tighten the VESA Plate **B**. Twist the bottom knob as shown in image (#2) to tighten the whole arm.



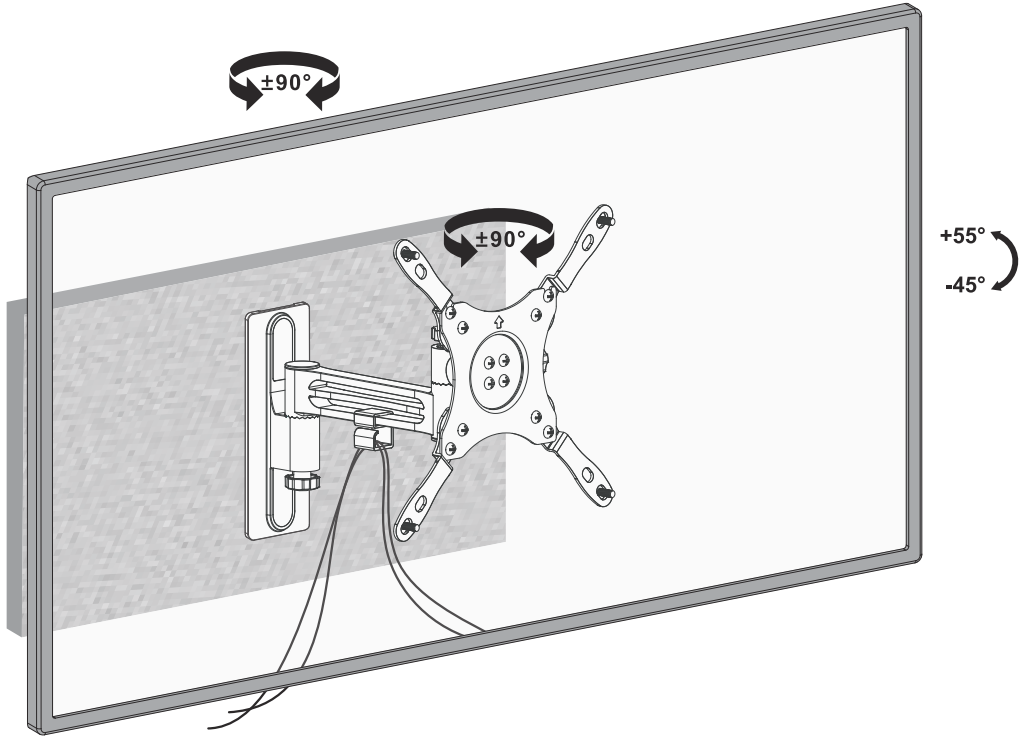
Step 7

To ensure the integral stability of the mount, fully tighten knobs using Allen Key ① each time after adjusting preferred angle and extension. (Do NOT tighten knobs only by hand alone). Guide the cable through the clip holder on the arm as shown in image (#2).



Step 8

Angle Adjustments.





Thank you for choosing us!

We support the technology that brings your home to life.
We offer high quality products, professional customer service,
and extensive technical support.

If you have any questions, please contact us.

 1-844-SATTLER (18447288537)

 support@wallelectric.com