

ASSEMBLY INSTRUCTIONS

W a n d e r e r 

SAVANNAH TENT 12P



PLU: 663572

PARTS LIST:

DESCRIPTION	QTY
Tent	1
Fly	1
Fibreglass Poles	3
Steel Poles ① x 4 ② x 2 ③ x 2	8
Awning Poles	2
Steel Pegs	36
Carry Bag	1
Guy Ropes	2

Fibreglass Poles



Steel Poles



Awning Poles



Carry Bag



Pegs



Guy Ropes

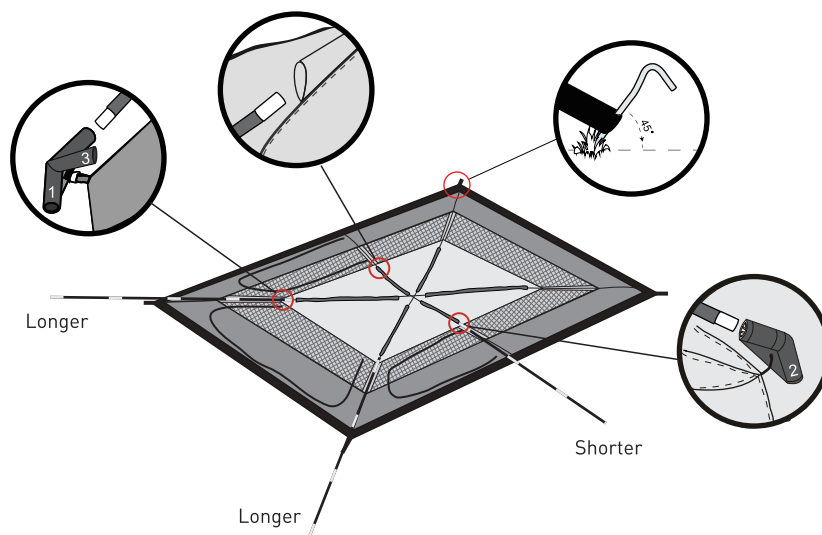
SET UP INSTRUCTIONS

STEP 1

Select a level place to set up free of rocks and trees. Clear stones and twigs. Unpack the tent and spread it out on the ground. Ensure that all doors and windows zips are closed. Peg down the floor using tent pegs provided.

STEP 2

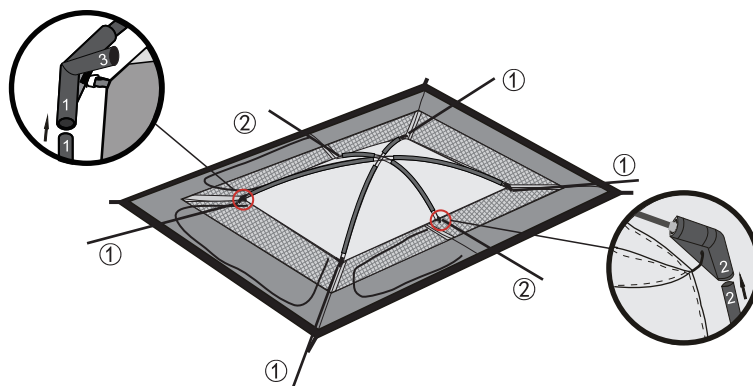
Take 3 fibreglass poles out of the bag. Assemble the fibreglass poles by pushing each section firmly into the joining ferrule. Using the 2 longer poles acrossing slide through sleeves and insert both ends of each pole into the three-way hubs without indicator. Using the shorter pole slide through sleeves and insert both ends of pole into the two-way hubs without indicator.



STEP 3

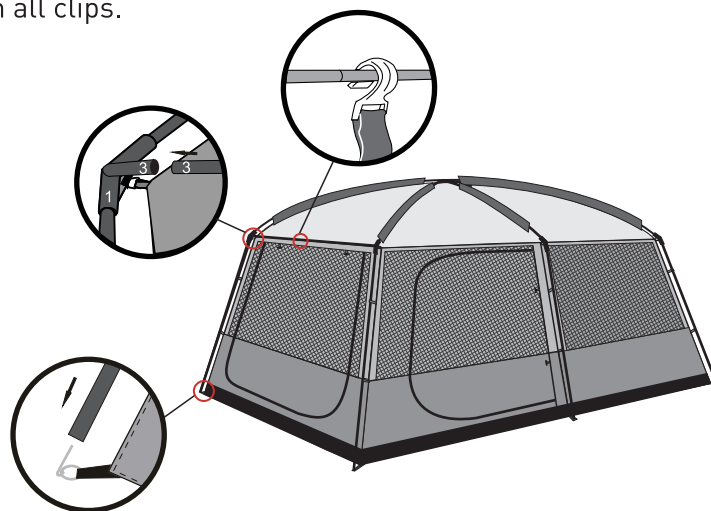
Find the 4 steel poles ① and 2 steel poles ② . Take the end without plastic tip and insert into the three-way hubs with indicator ① and two-way hubs with indicator ② . Then insert the other end on pin and ring assembly at bottom.

Attach tent to poles using clips.



STEP 4

Take 2 steel poles ③ and inset into the three-way hubs with indicator ③ , and attach all clips.



STEP 5

Take flysheet and drape over inner tent, with door facing correct direction.



STEP 6

Attach flysheet to poles by using velcro loops, then fix all peg points in the bottom. Using guy ropes provided peg out away from the tent to maximise stability.



STEP 7

If using front awning use the 2 awning poles and extra 2 guy ropes to secure.



WARNING

DO NOT use any form of flame or fuel burning appliances, heaters, candles or matches inside the tent .

DO NOT set up near open flame.

DO NOT use soap or detergent. Clean only with cold water and a brush.

DO NOT expose to petrol, oil or solvents.

DO NOT spray insecticides onto the tent .

DO NOT use this tent as a dwelling. This tent is designed as a recreational product only.

DO NOT climb or hang on this structure.

The maximum weight capacity of the clothes hanger is 5kgs and must never exceed this weight.

W a n d e r e r 

Manufactured & packaged for SRGS PTY LTD
ABN 23 113 230 050
6 Coulthards Avenue, Strathpine QLD 4500, Australia
MADE IN CHINA