

INSTRUCTION MANUAL

10 FT x 10 FT Outdoor Pergola Gazebo

IF YOU PURCHASED THE GAZEBO ONLINE AND HAVE
ANY QUESTIONS OR CONCERNS
PLEASE CONTACT US WITH EMAIL OR TEXT
EMAIL: hiwarrantyservice@outlook.com
TEXT: +1 628-263-4608

Warnings and Cautions

Thank you for choosing our Pergola. Please read these instructions thoroughly before assembly and use.

Before start the assembly process, we suggest you to get familiar with this product. Make sure all parts listed up in below packing lists are delivered and intact. If you find any parts missing or damaged please do not install but contact us immediately.

1. Do not mount this pergola yourself but contact a professional workman for help if
 - ◆ you are unsure if the pergola can be mounted on the place you chose for installation.
 - ◆ you do not understand the instruction manual or parts of it.
 - ◆ you do not have necessary tools available.
 - ◆ you do not have necessary technical knowledge
2. A minimum of three healthy adults are required to move and install the pergola
3. Do not install the pergola when you find damage parts or any parts missing.
4. Keep children and pets out of the working area during assembly and adjustments.
5. This product and its fixing parts are only suitable for installation on a plain cement wall or stable brickwork. If the wall/brickwork shows cracks you have to consult a professional.
6. Nobody is allowed to change the products' design and structure without the permission of manufacture or authorized deputy.
7. Please make sure that your hands are clean at the time of the assembly; otherwise you may soil frame.
8. Nobody is allowed to climb onto the Pergola. Hanging heavy things on the Pergola is forbidden.
9. This structure is a non-permanent structure and the warranty does not cover damage incurred under extreme weather conditions including heavy rain, high winds or if exposed to high heat from heaters or BBQs.
10. Safety precautions should always be followed when assembling and using this product to reduce the risk of personal injury and damage to equipment.
11. Please read all instructions before assembly and use.
12. Never leave children unattended around/under this pergola.
13. Do not attempt to assemble or use the pergola in moderate or heavy wind conditions.
- 14. Always keep the pergola louver open and secure it during heavy winds or extreme weather conditions** to avoid damage to the pergola or personal injury.



Pistol Drill



Tape Measure



Screwdriver

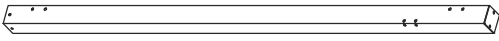
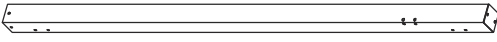


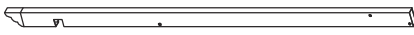





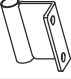



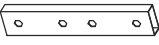





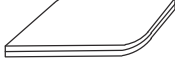


Ladder



2 or 3 people

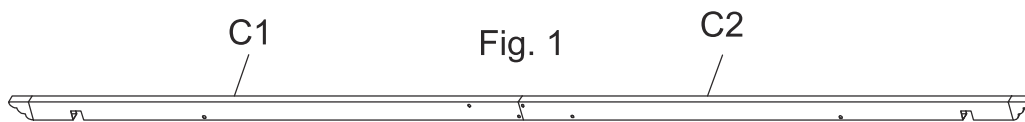
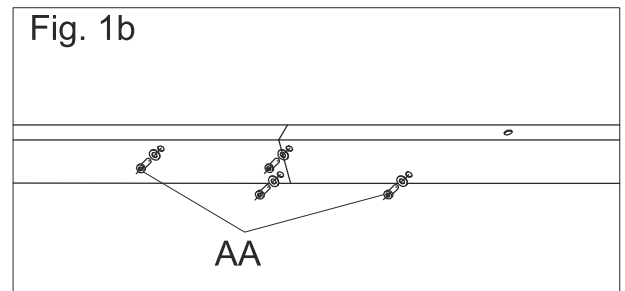
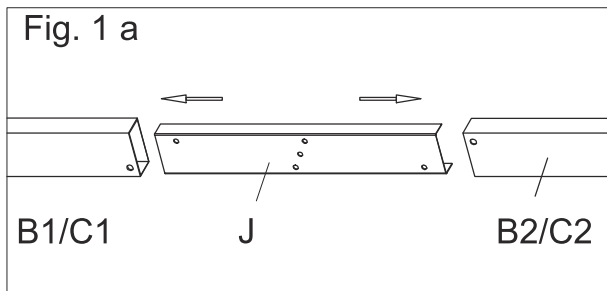
PARTS LIST

	Description	Sketch	QTY
A1	Post A1		2 pcs
A2	Post A2		2 pcs
B1	Cross Beam B1		2 pcs
B2	Cross Beam B2		2 pcs
C1	Cross Beam C1		2 pcs
C2	Cross Beam C2		2 pcs
D	Roof Tube		12 pcs
E1	Pulling Rod E1		2 pcs
E2	Pulling Rod E2		2 pcs
F	Guide Tube		4 pcs
G	Bracket		8 pcs
H1	Corner Support H1		4 pcs
H2	Corner Support H2		4 pcs
J	Connector J		4 pcs
K	Connector K		6 pcs
M	Bracket M		4 pcs
N	Bracket N		4 pcs
O	Post Decoration O		4 pcs
R	Post Decoration R		4 pcs
S	Post Hoof		4 pcs
P	Shade Fabric		2 pcs

HARDWARE LIST

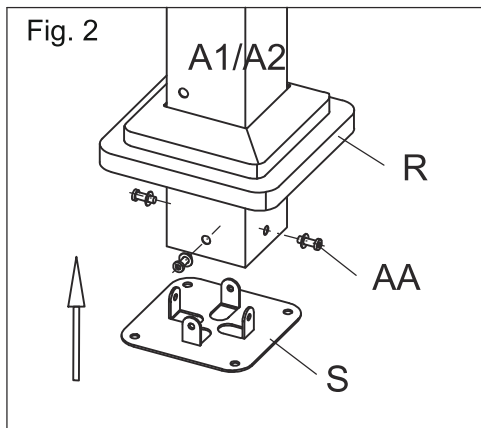
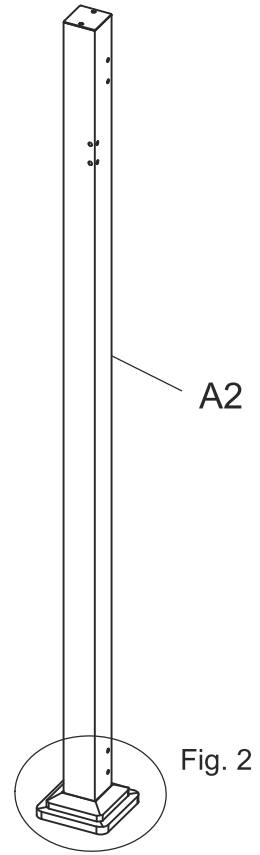
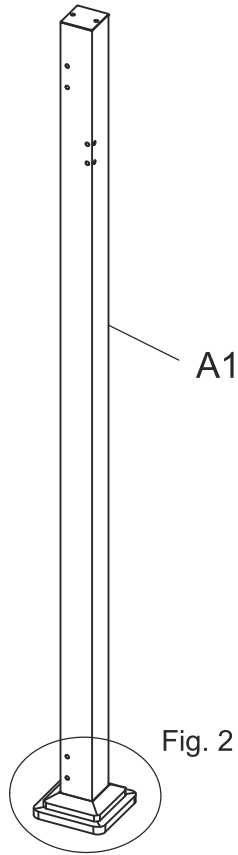
	Description	Sketch	QTY
AA	Bolt (M6x12)		104 pcs
BB	Bolt (M6x35)		8 pcs
CC	Bolt (M6x55)		12 pcs
DD	Bolt (M6x75)		8 pcs
EE	Allen Key		2 pcs
FF	Anchor		8 pcs

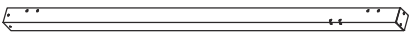



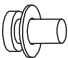
STEP 1



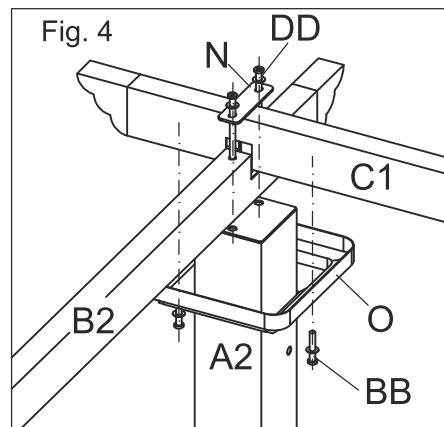
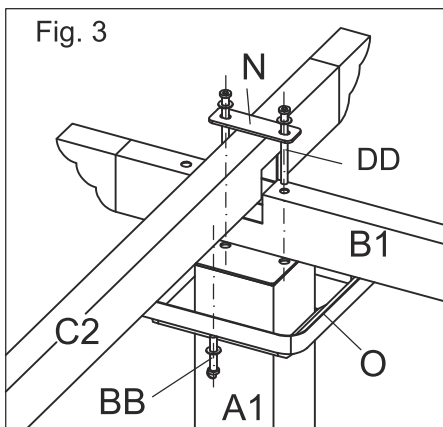
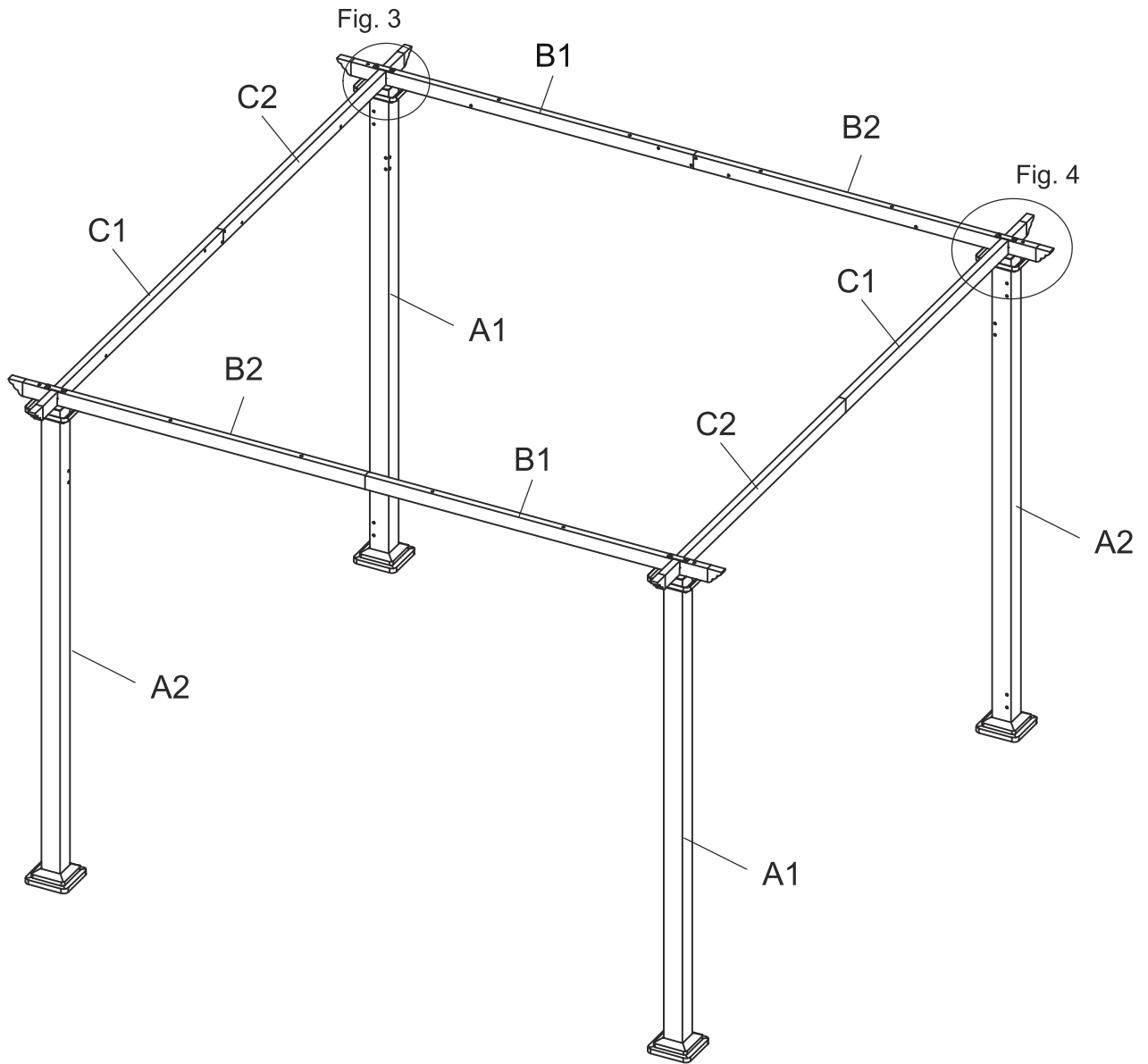
	B1 x 2pcs		B2 x 2pcs
	C1 x 2pcs		C2 x 2pcs
	J x 4pcs		AA x 16pcs

STEP 2



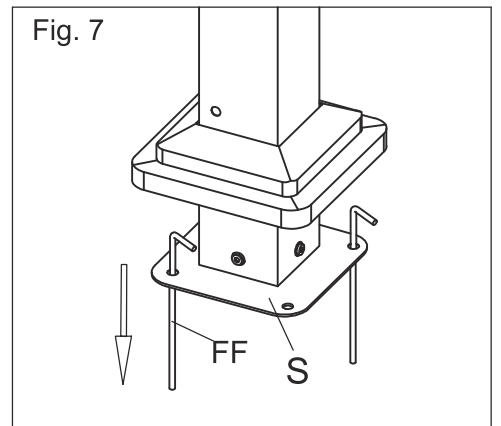
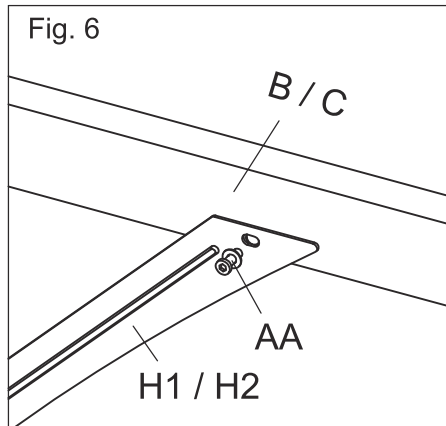
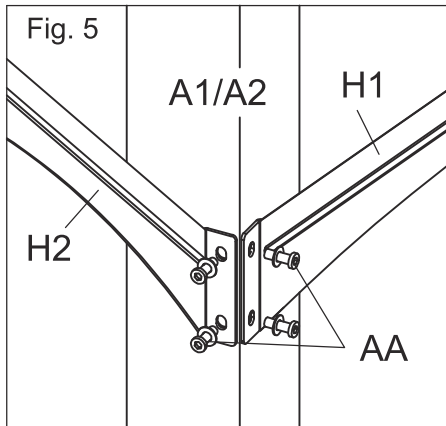
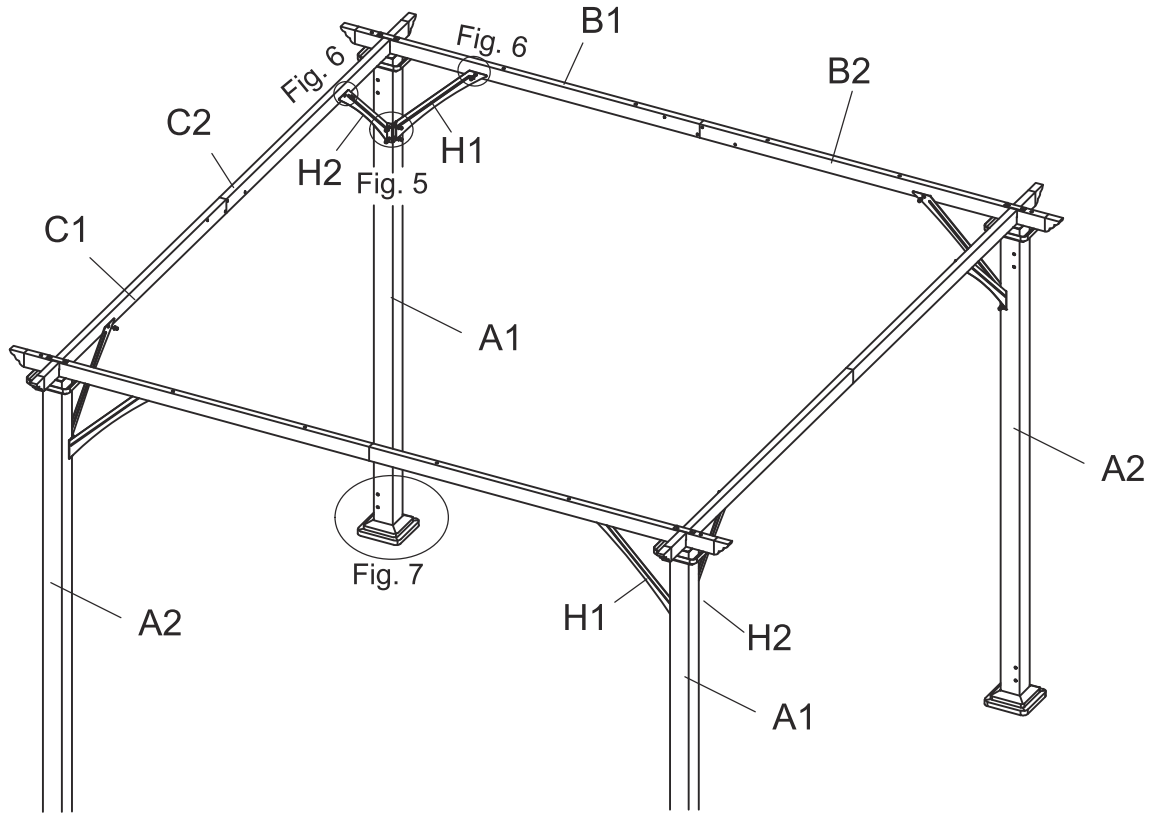
	A1 x 2pcs		A2 x 2pcs
	R x 4pcs		S x 4pcs
	AA x 16pcs		



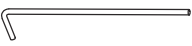
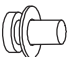
STEP 3



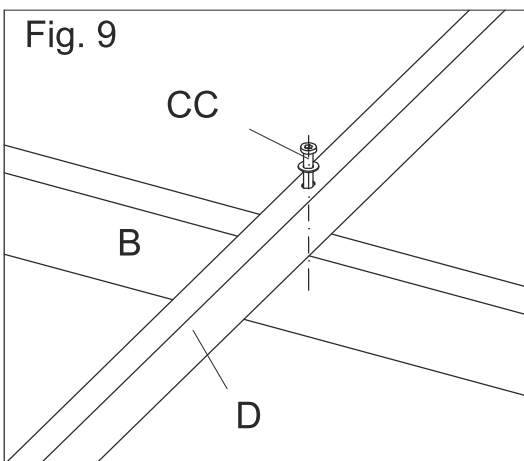
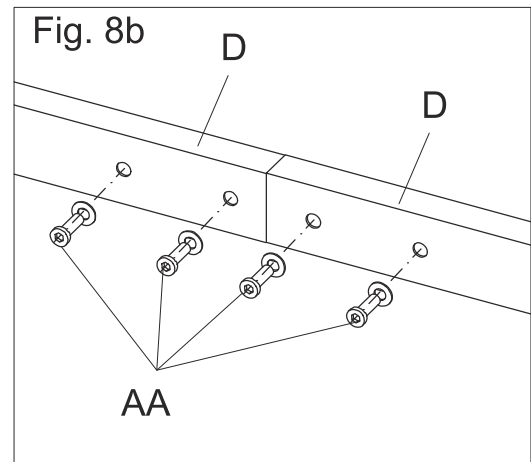
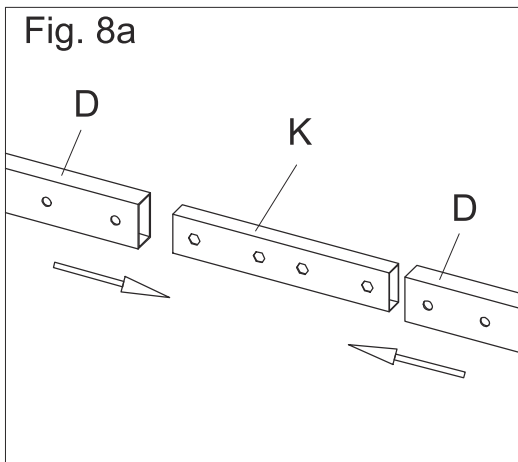
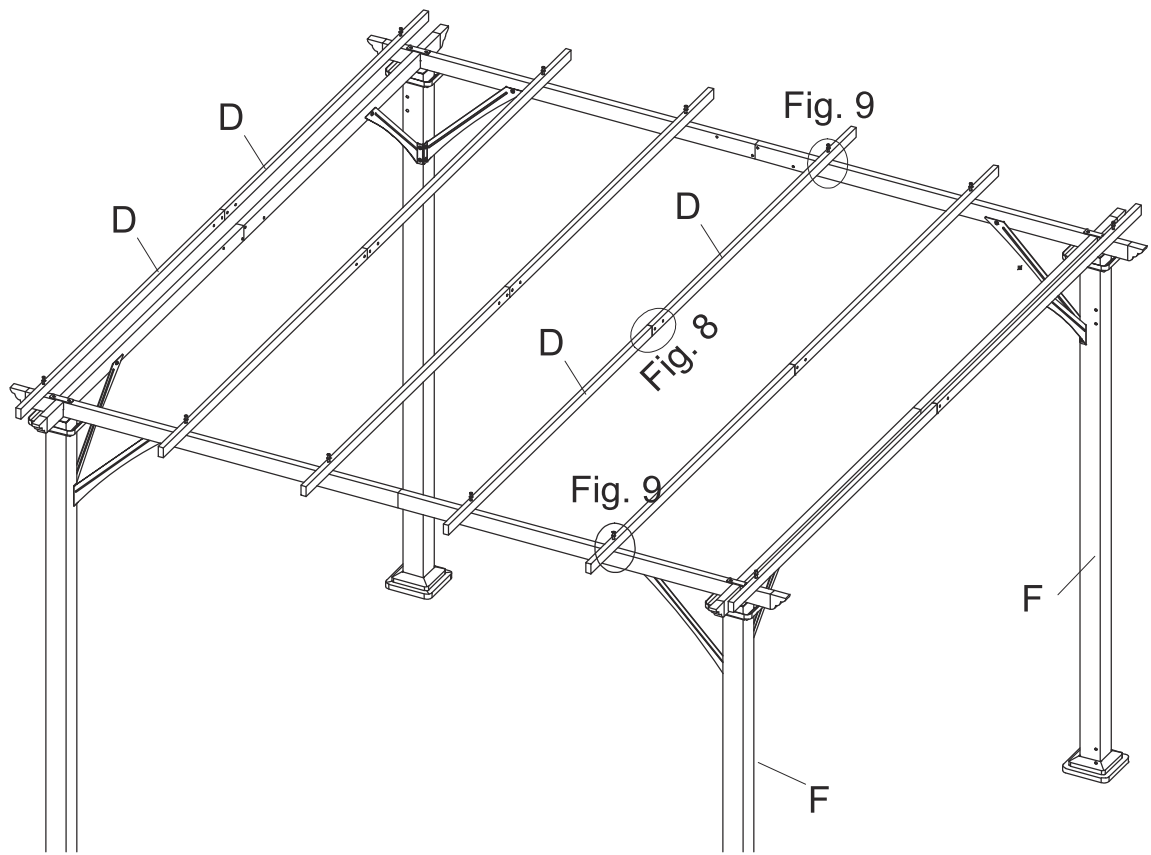
	O x 4pcs		N x 4pcs
	BB x 8pcs		DD x 8pcs


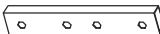
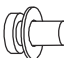
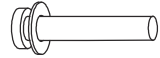
STEP 4



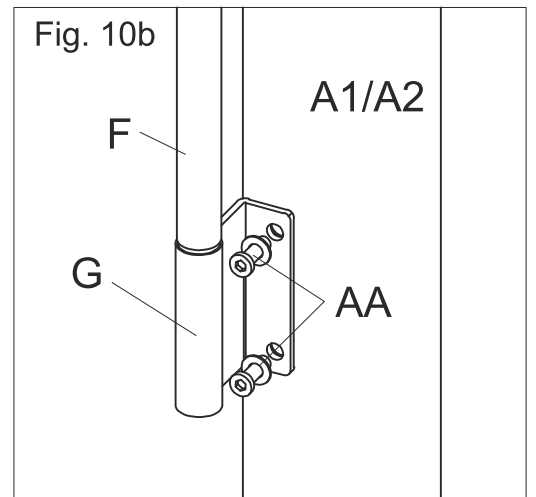
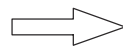
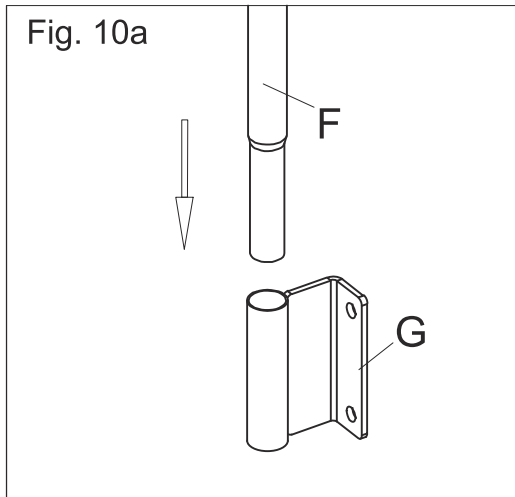
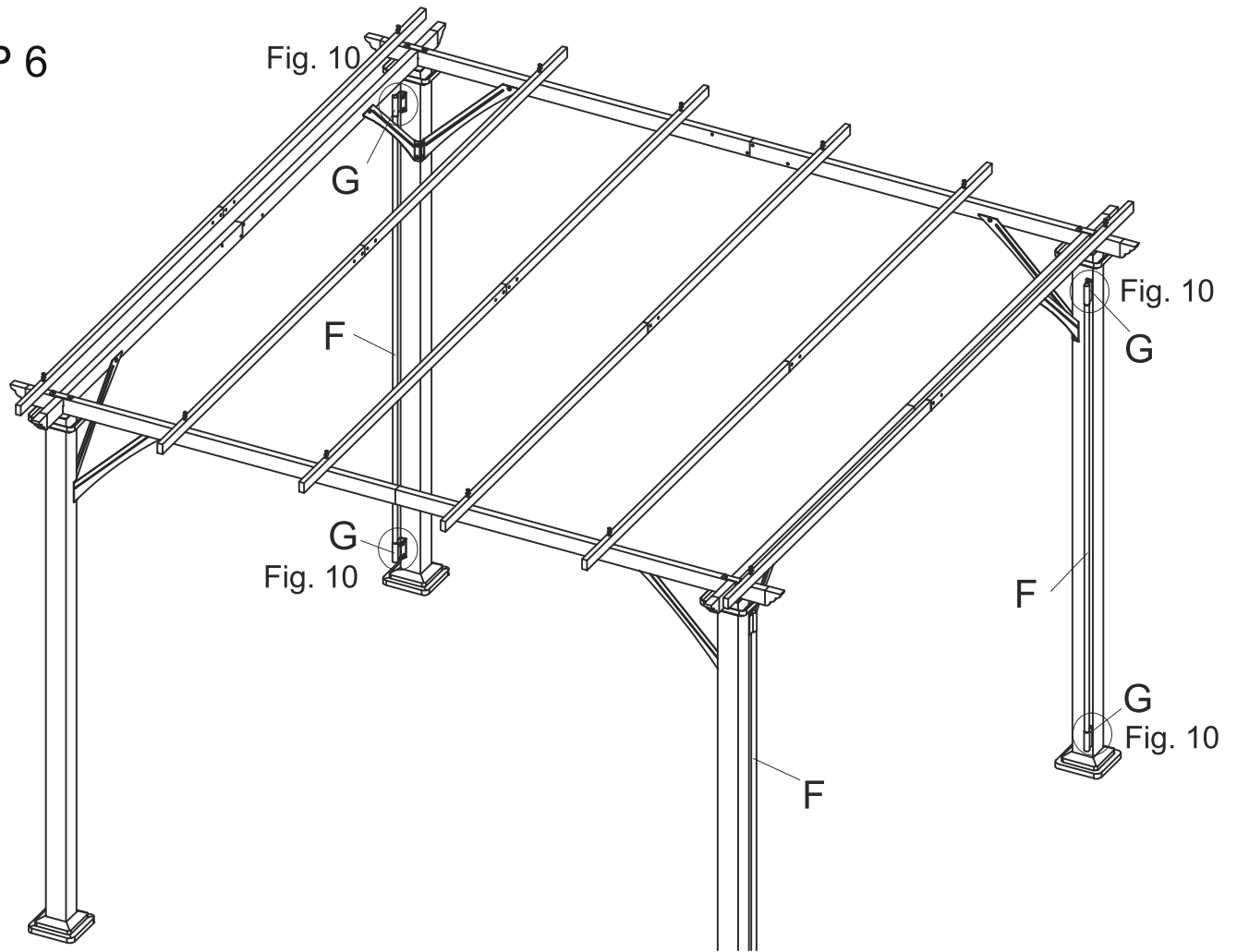
	H1 x 4pcs		H2 x 4pcs
	FF x 8pcs		AA x 24pcs



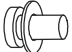
STEP 5



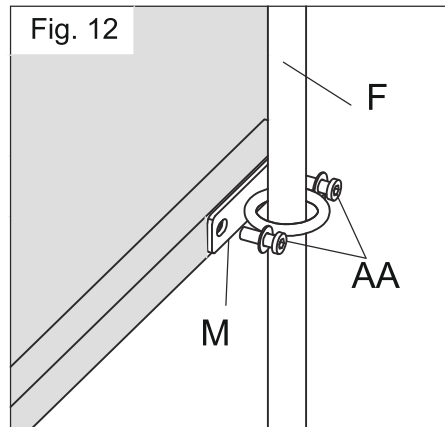
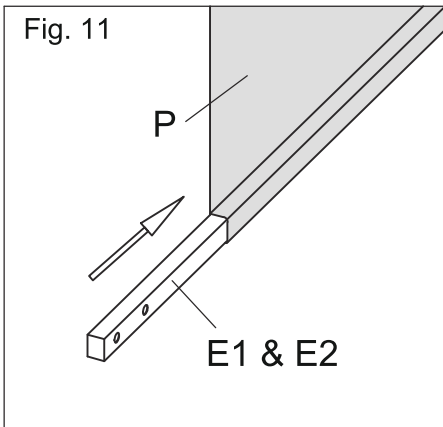
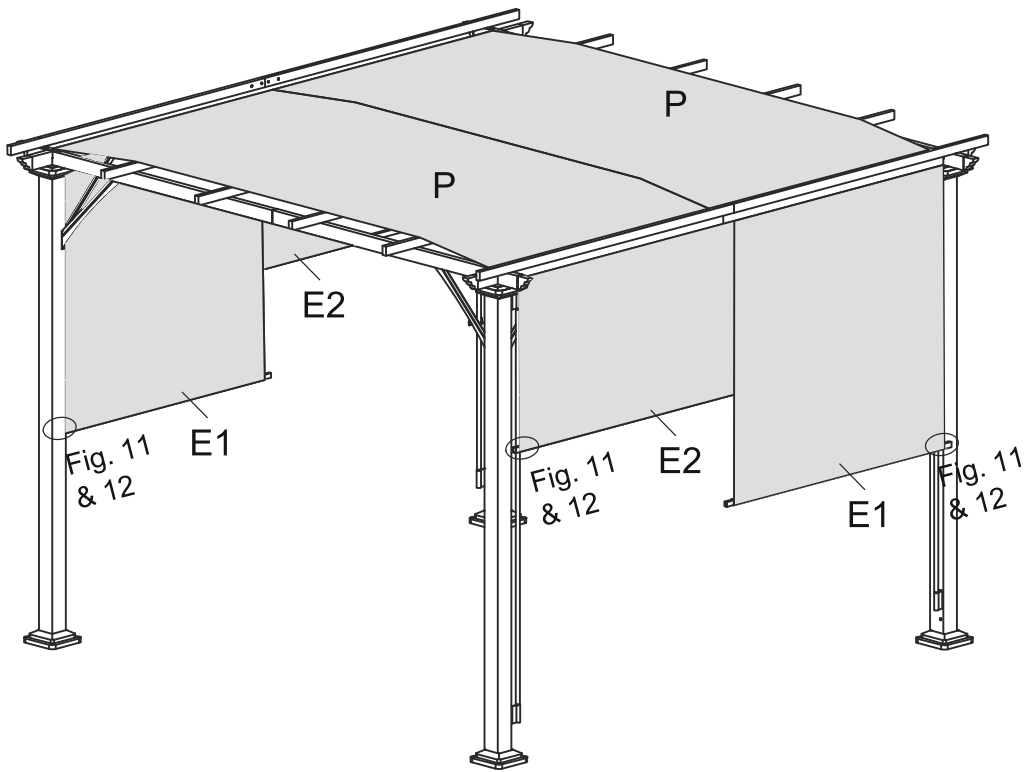
	D x 12pcs		K x 6pcs
	AA x 24pcs		CCx 12pcs




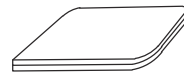
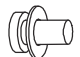
STEP 6



	F x 4pcs		G x 8pcs
	AA x 16pcs		

STEP 7



	E1 x 2pcs		E2 x 2pcs
	M x 4pcs		P x 2pcs
	AA x 8pcs		

STEP 8

