



BED FRAME

Please read this user manual carefully before using this product

Dear Valued Customer,

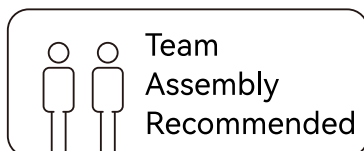
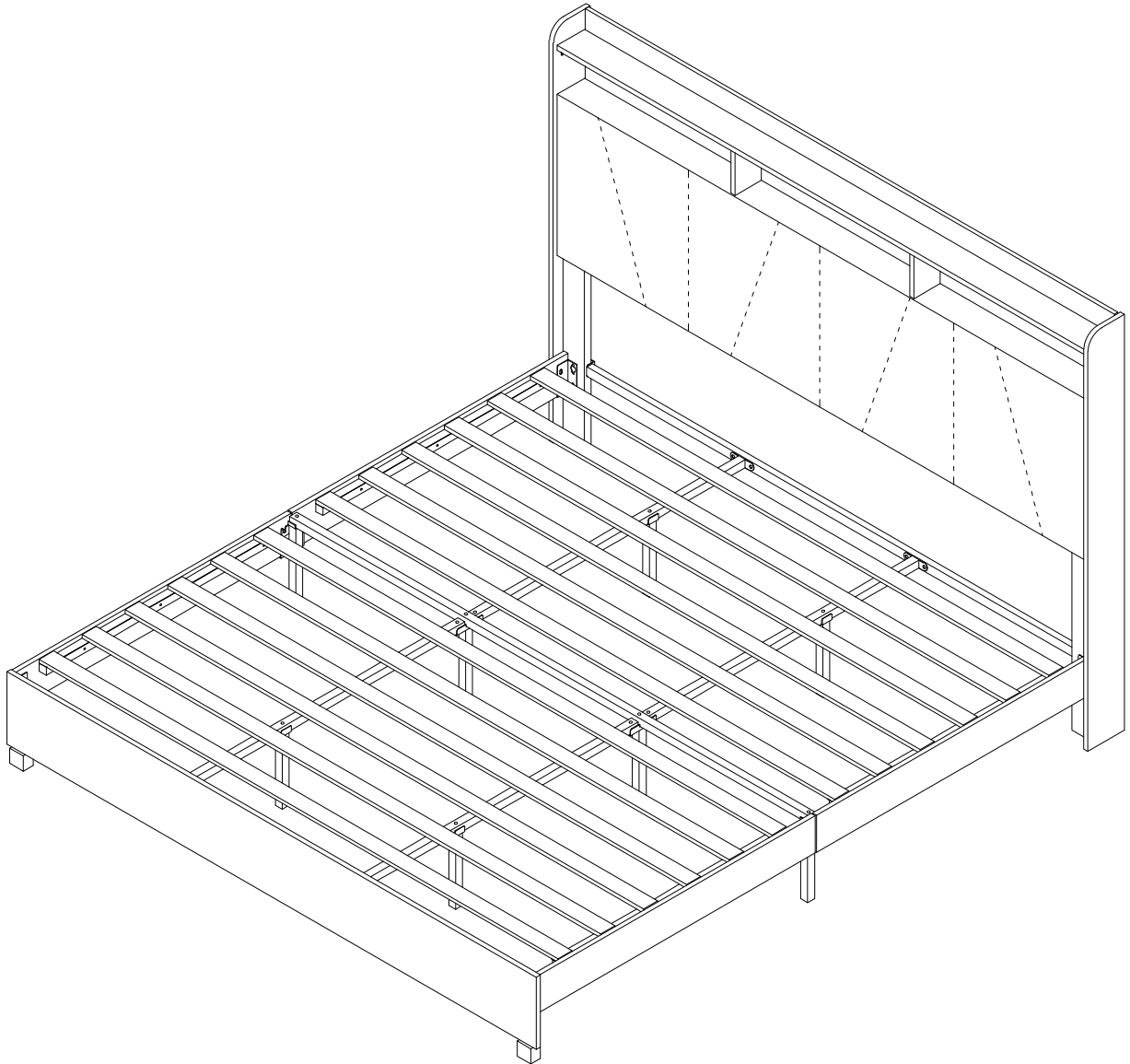
Thank you for choosing our bed frame products! In today's fast-paced world, we understand that quality sleep is essential for your health and well-being. That is why we are committed to providing you with the most comfortable and supportive bed frames, ensuring that you can enjoy deep rest and relaxation every night.

Our team is dedicated to continuous innovation and improvement, aiming to deliver an exceptional sleep experience. We use high-quality materials and cutting-edge technology, meticulously attending to every detail to meet your needs. Your satisfaction is our greatest motivation and honor.

If you have any questions or suggestions while using our product, please do not hesitate to contact us. We greatly value your feedback and will do our utmost to provide you with the best possible service.

Once again, thank you for your trust and support. We wish you many nights of restful sleep!

ASSEMBLY INSTRUCTIONS



MADE IN CHINA

INTRODUCTION

Thank you for purchasing our product. Please read the instructions carefully before installation and keep it in a safe place for future reference. If you need any assistance or support, please feel free to contact our customer support team.

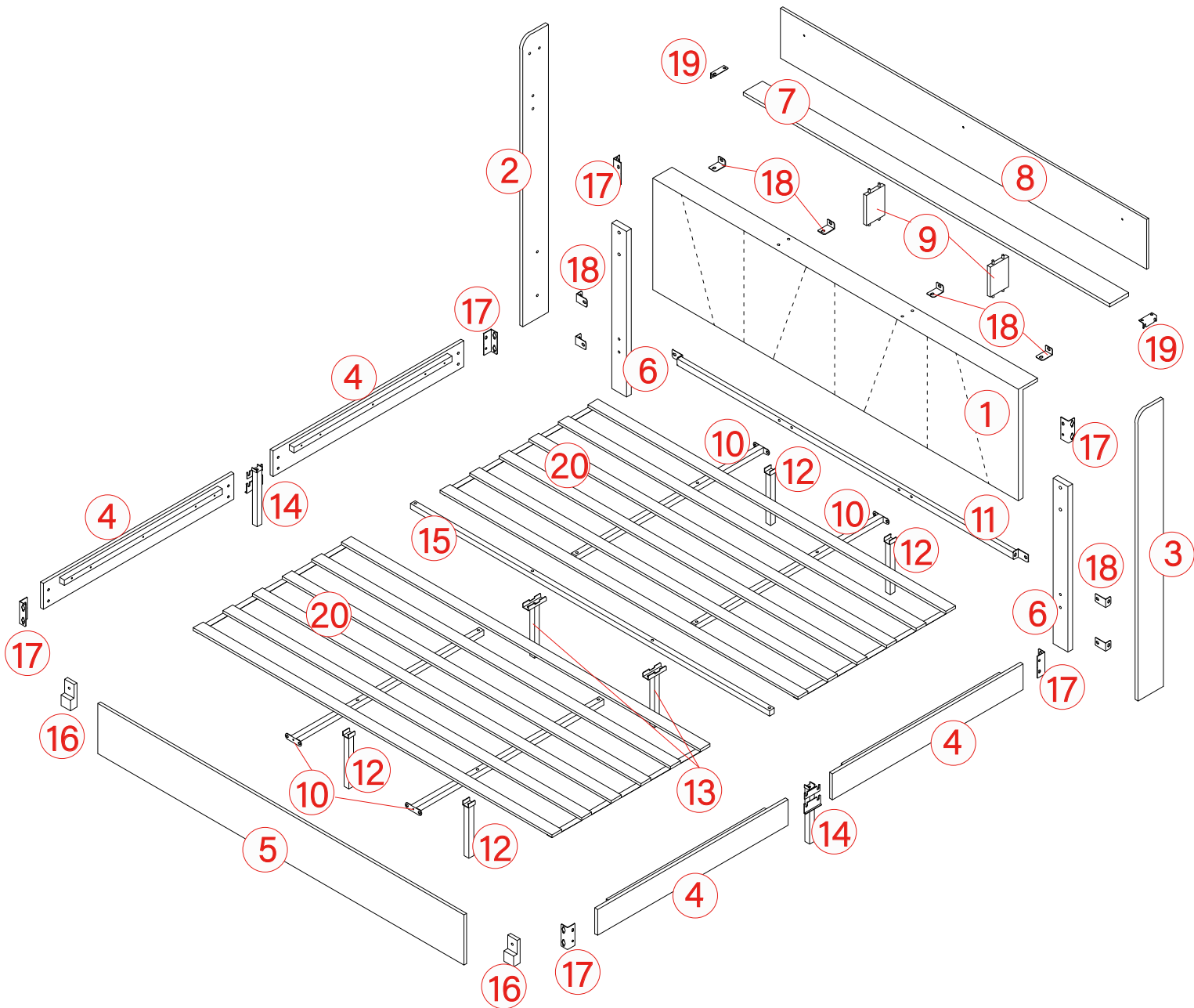
PRECAUTIONS

1. There are many components and accessories in the package. Each component and accessory is labeled with a letter or a number. Check carefully before using any of them. Keep them away from children to prevent accidents.
2. Please install the product on a clean and soft underlay (such as carpet or cardboard) to avoid scratching or damaging the surface of the product.
3. The main components of the product are relatively heavy. Please pay attention to safety during installation.
4. The product is not stable during installation. Please do not move it randomly before it is completely installed.
5. If you have any questions during installation, please contact the customer service in time.

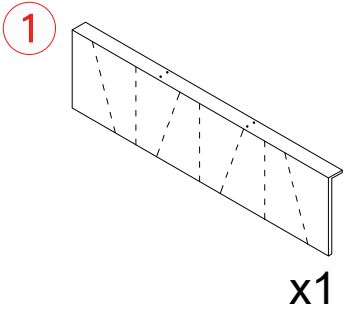
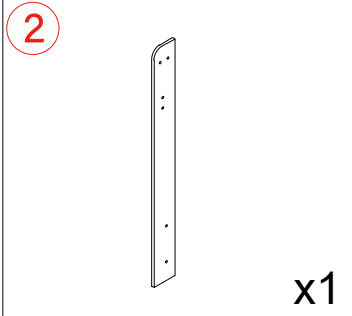
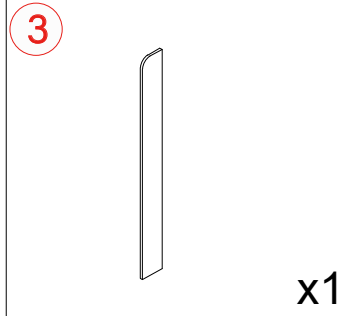
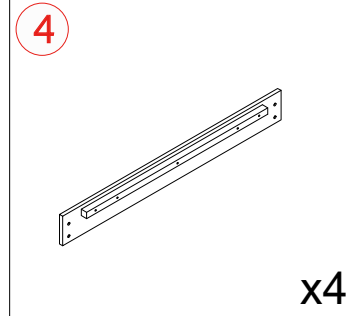
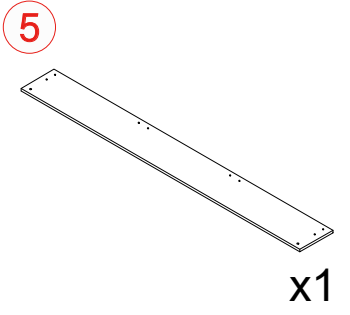
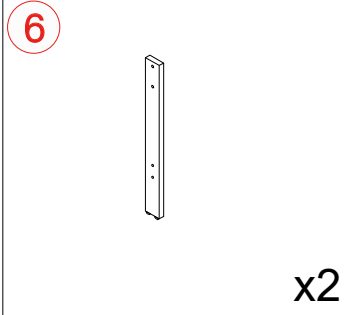
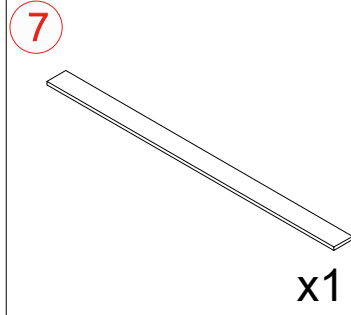
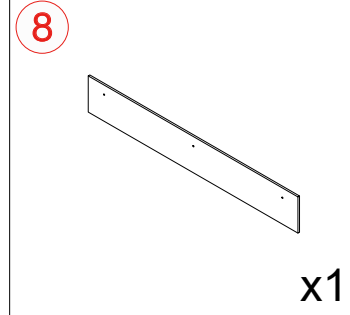
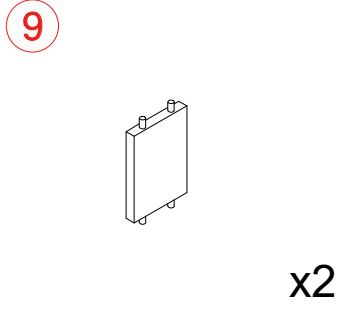
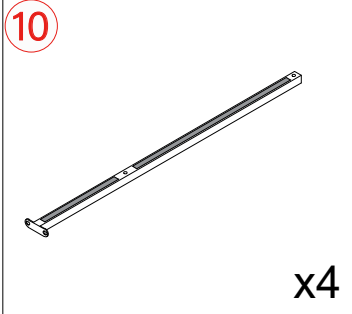
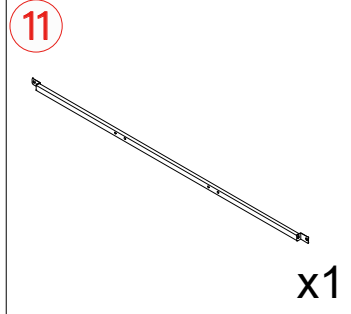
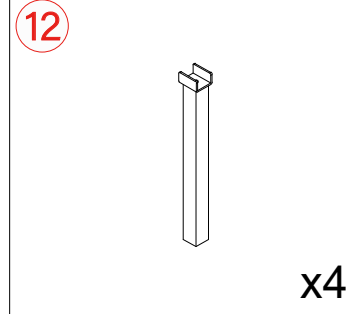
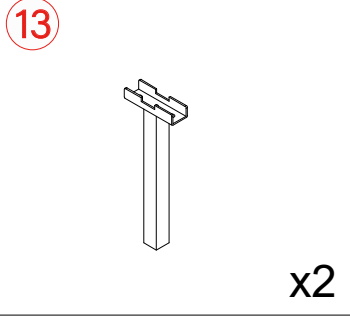
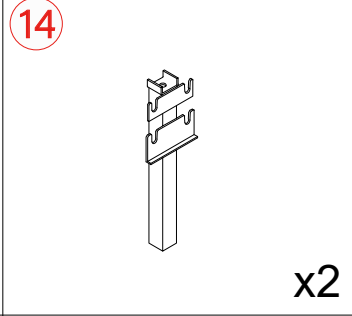
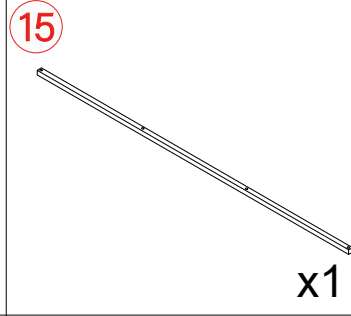
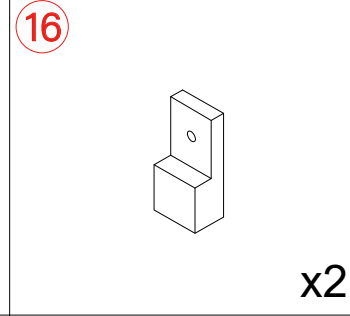
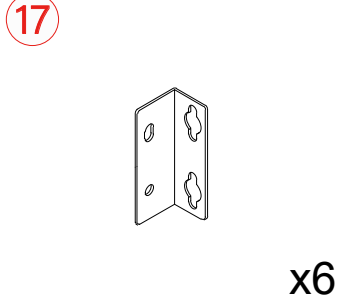
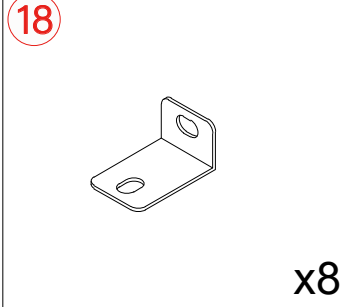
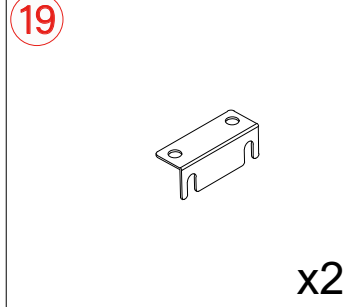
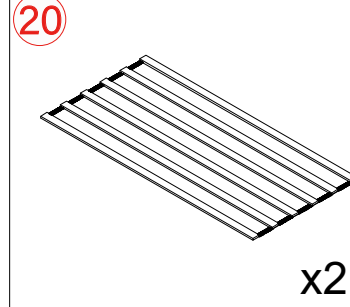
*** PLEASE BE SURE TO FOLLOW THE INSTALLATION STEPS IN THE MANUAL TO AVOID UNNECESSARY LOSSES CAUSED BY IMPROPER INSTALLATION.**

*** IF YOU NEED FURTHER ASSISTANCE, PLEASE CONTACT THE CUSTOMER SERVICE ONLINE.**

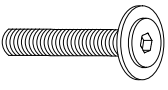
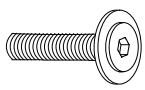
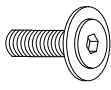
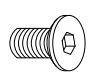



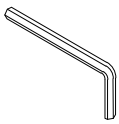
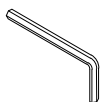
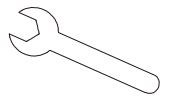
PRODUCT ASSEMBLY



PARTS LIST

 <p>1</p> <p>x1</p>	 <p>2</p> <p>x1</p>	 <p>3</p> <p>x1</p>	 <p>4</p> <p>x4</p>
 <p>5</p> <p>x1</p>	 <p>6</p> <p>x2</p>	 <p>7</p> <p>x1</p>	 <p>8</p> <p>x1</p>
 <p>9</p> <p>x2</p>	 <p>10</p> <p>x4</p>	 <p>11</p> <p>x1</p>	 <p>12</p> <p>x4</p>
 <p>13</p> <p>x2</p>	 <p>14</p> <p>x2</p>	 <p>15</p> <p>x1</p>	 <p>16</p> <p>x2</p>
 <p>17</p> <p>x6</p>	 <p>18</p> <p>x8</p>	 <p>19</p> <p>x2</p>	 <p>20</p> <p>x2</p>

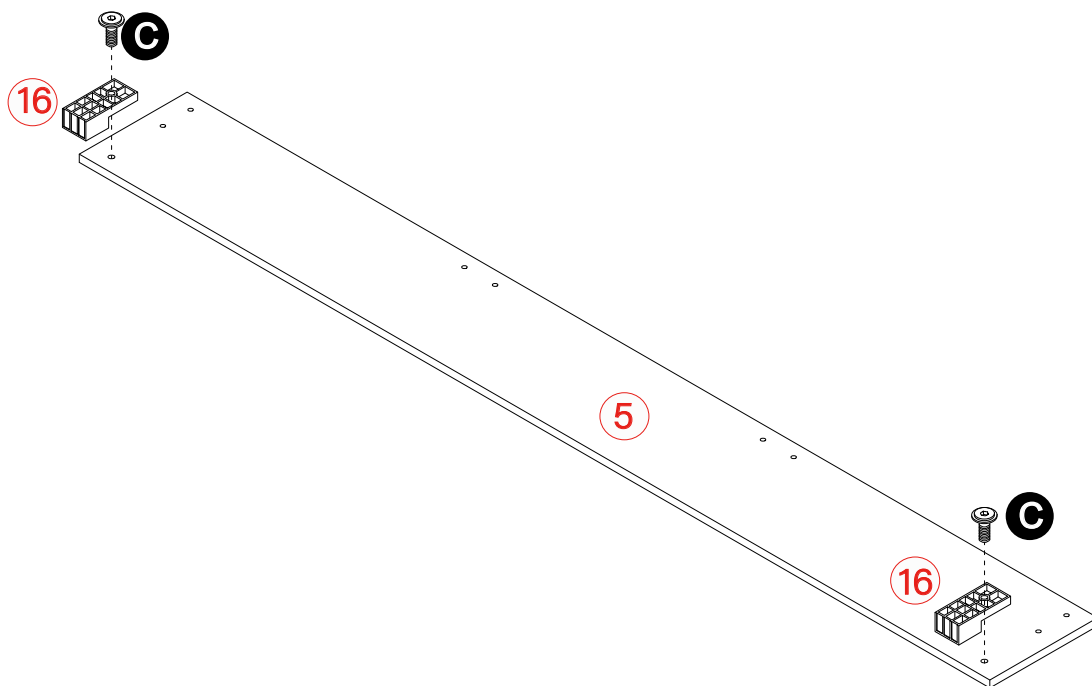
HARDWARE LIST

A M8x50mm  x6	B M8x35mm  x10	C M8x25mm  x2	D M8x16mm  x62	E M6x50mm  x3
F M8  x2	G M8x40mm  x2	H M8  x1	J M6  x1	K M8  x1

ASSEMBLY INSTRUCTIONS

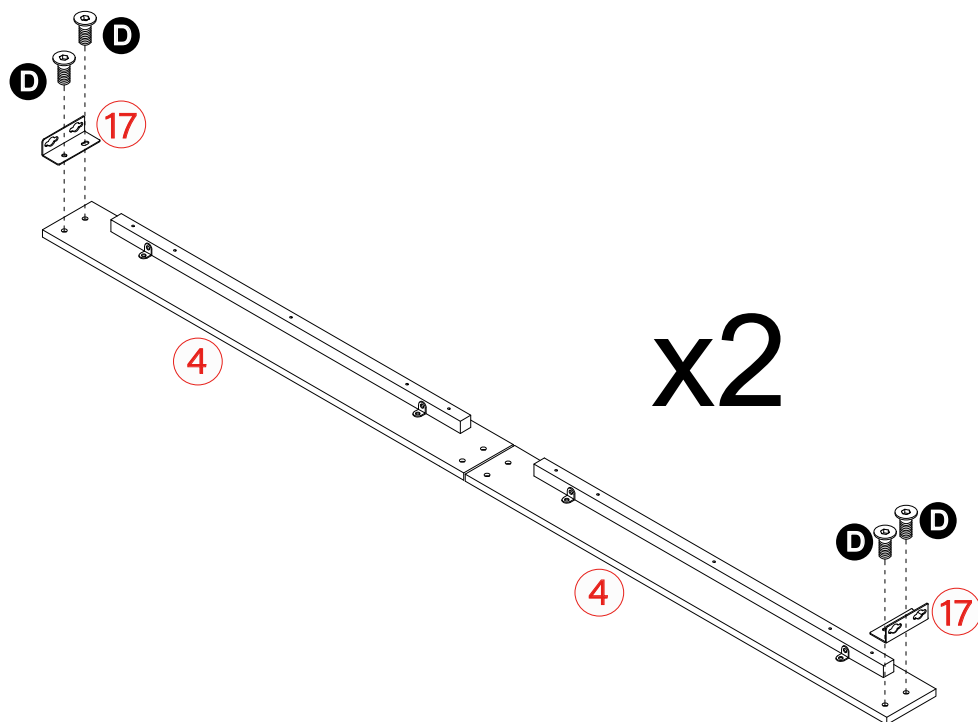
1

C x 2



2

D x 8

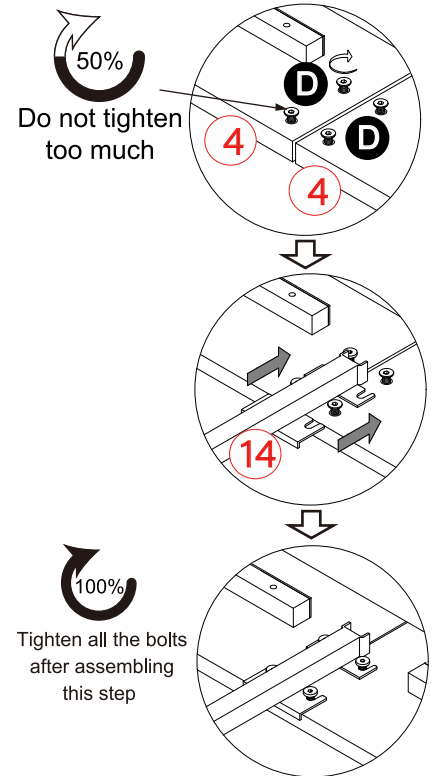
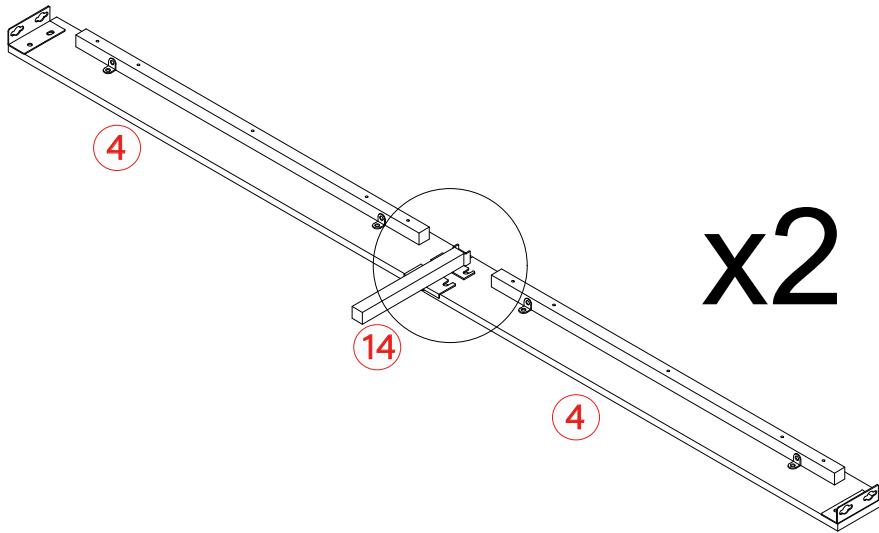


ASSEMBLY INSTRUCTIONS

3



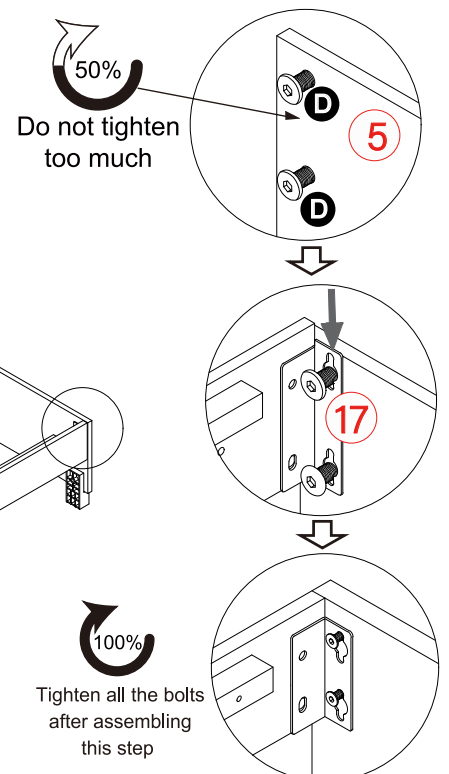
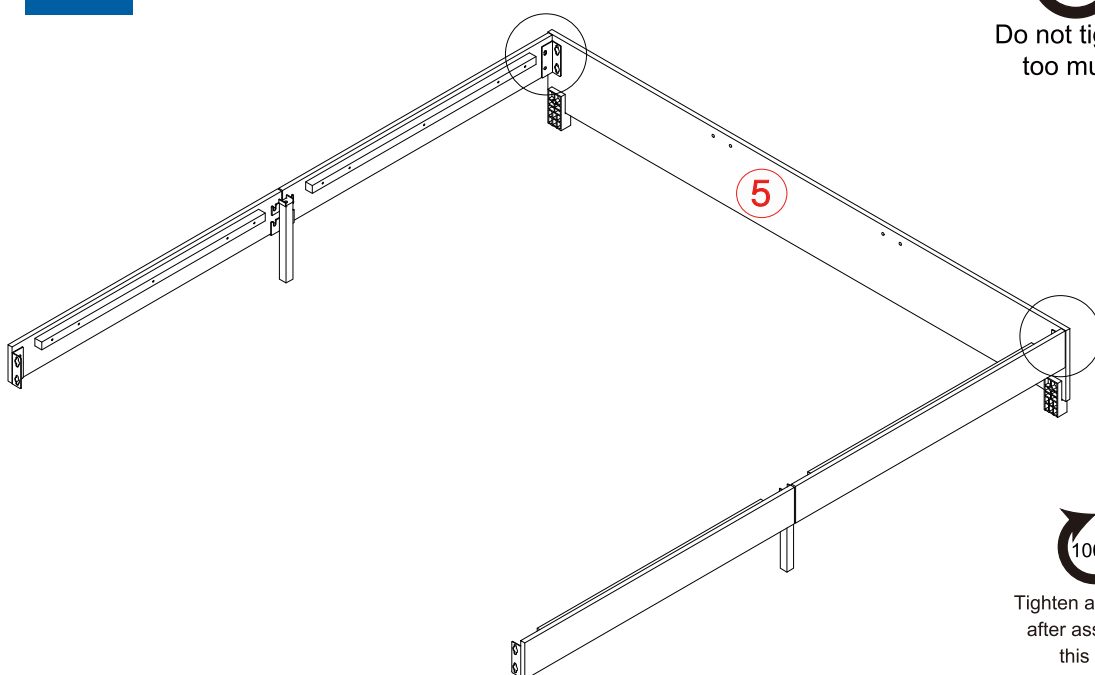
D x 8



4



D x 4

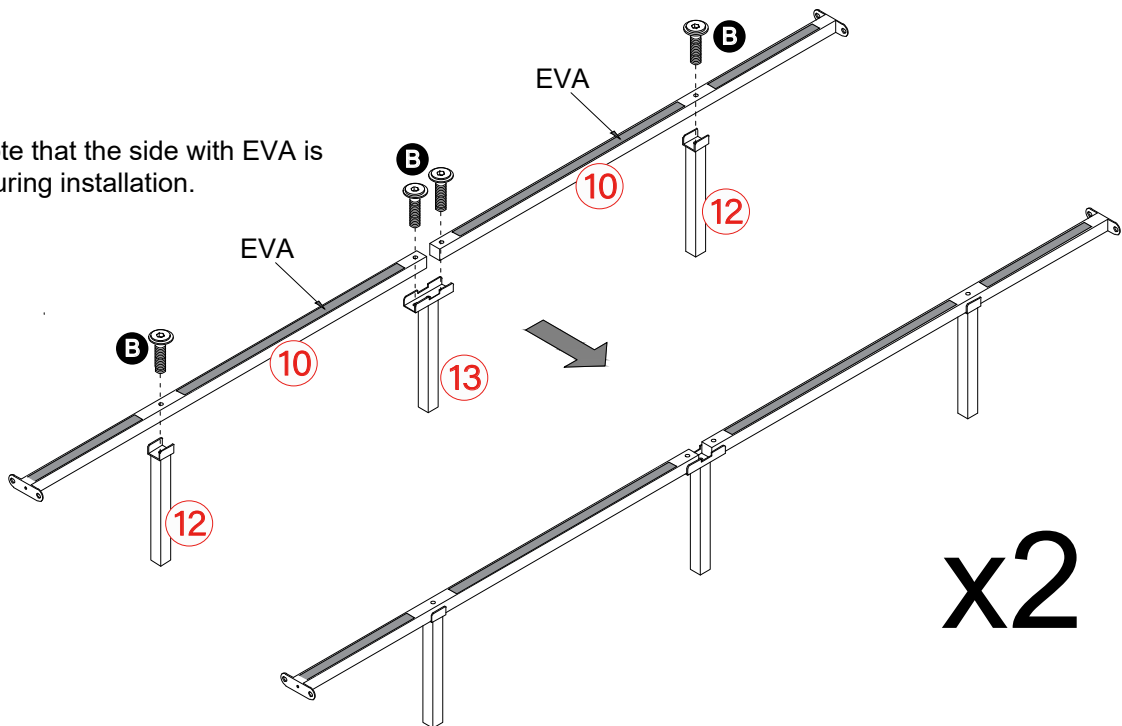


ASSEMBLY INSTRUCTIONS

5

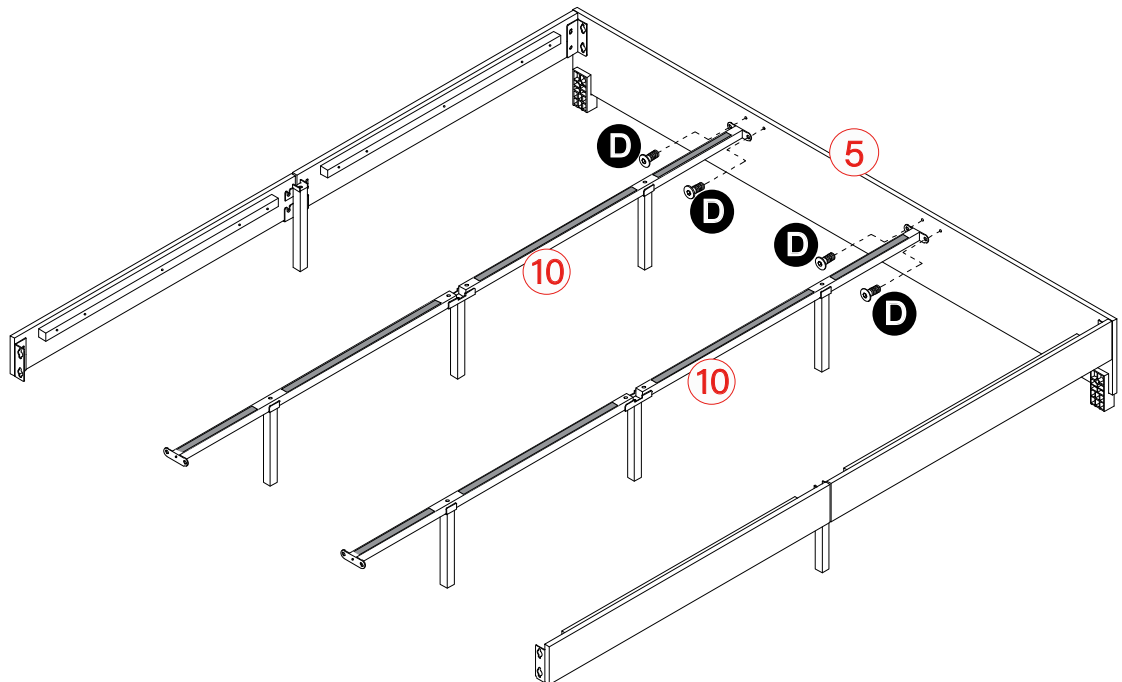
 B x 8

Please note that the side with EVA is upward during installation.

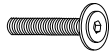


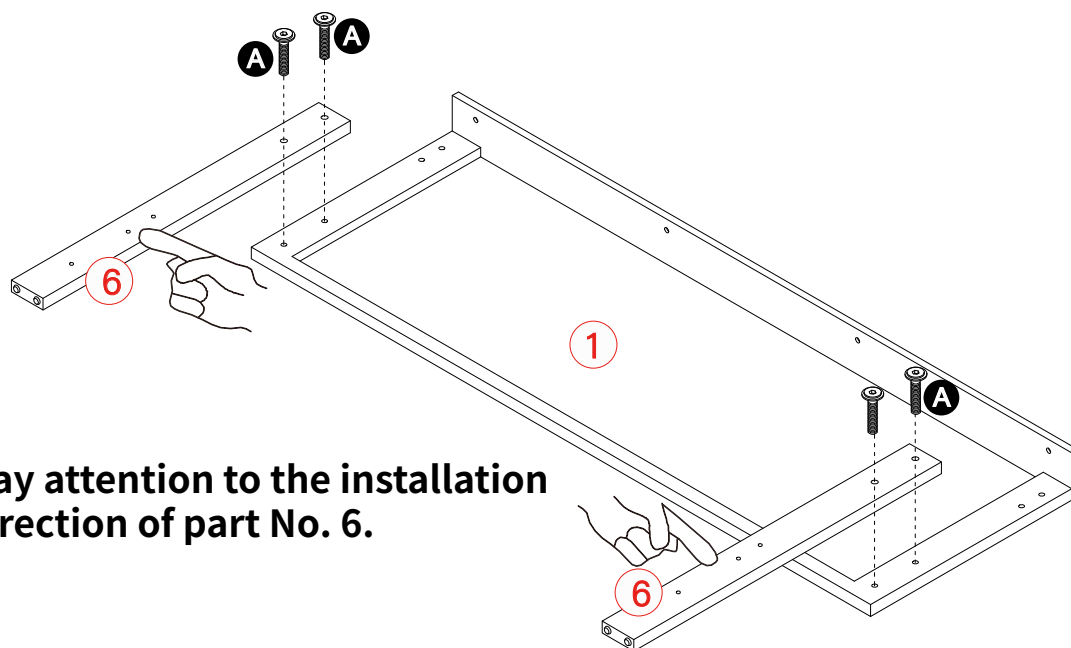
6

 D x 4




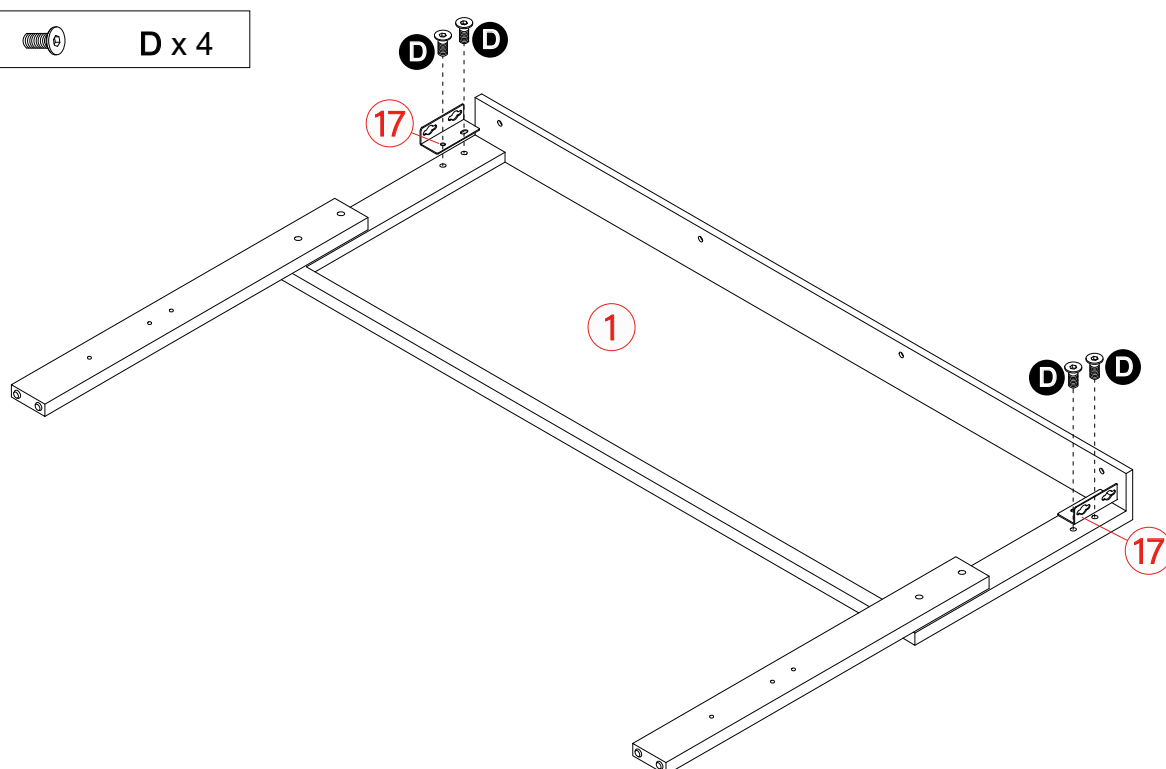
ASSEMBLY INSTRUCTIONS

7  A x 4

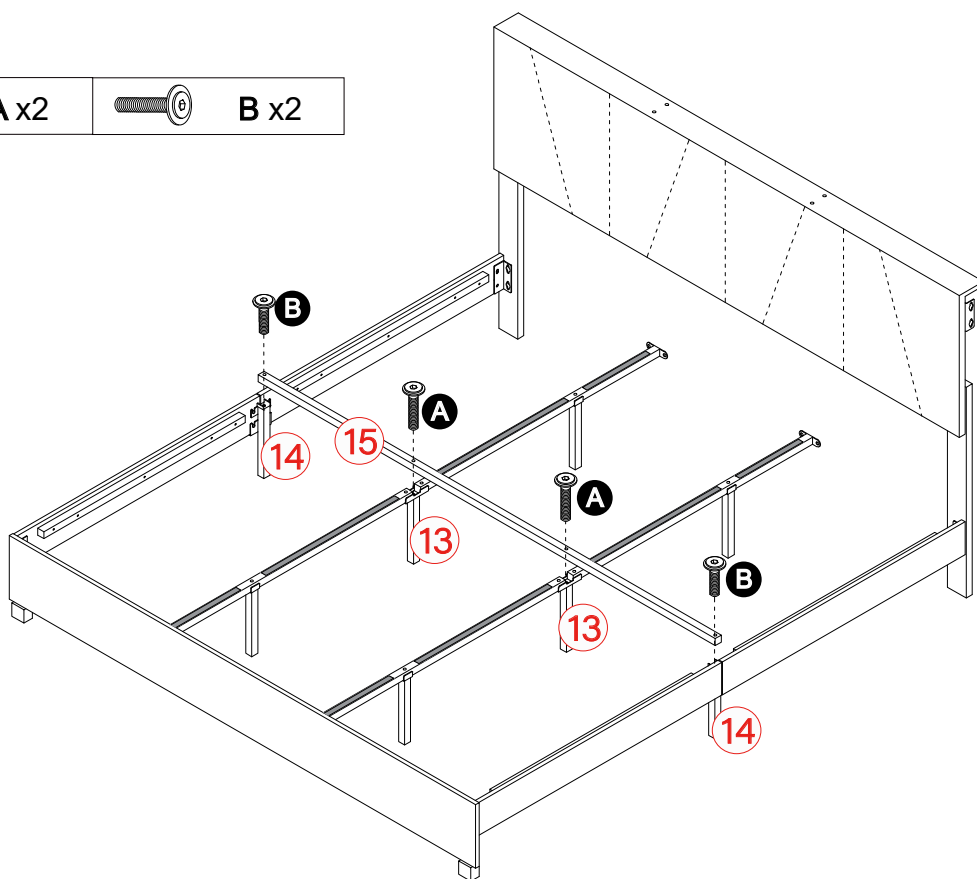
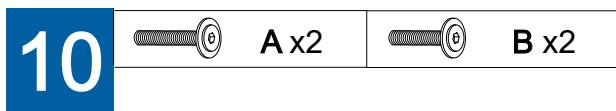
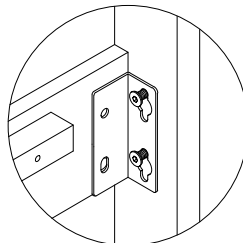
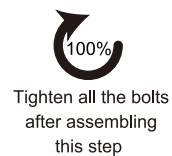
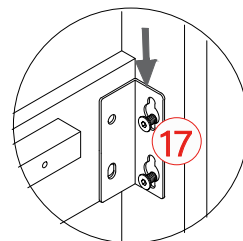
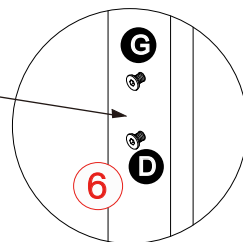
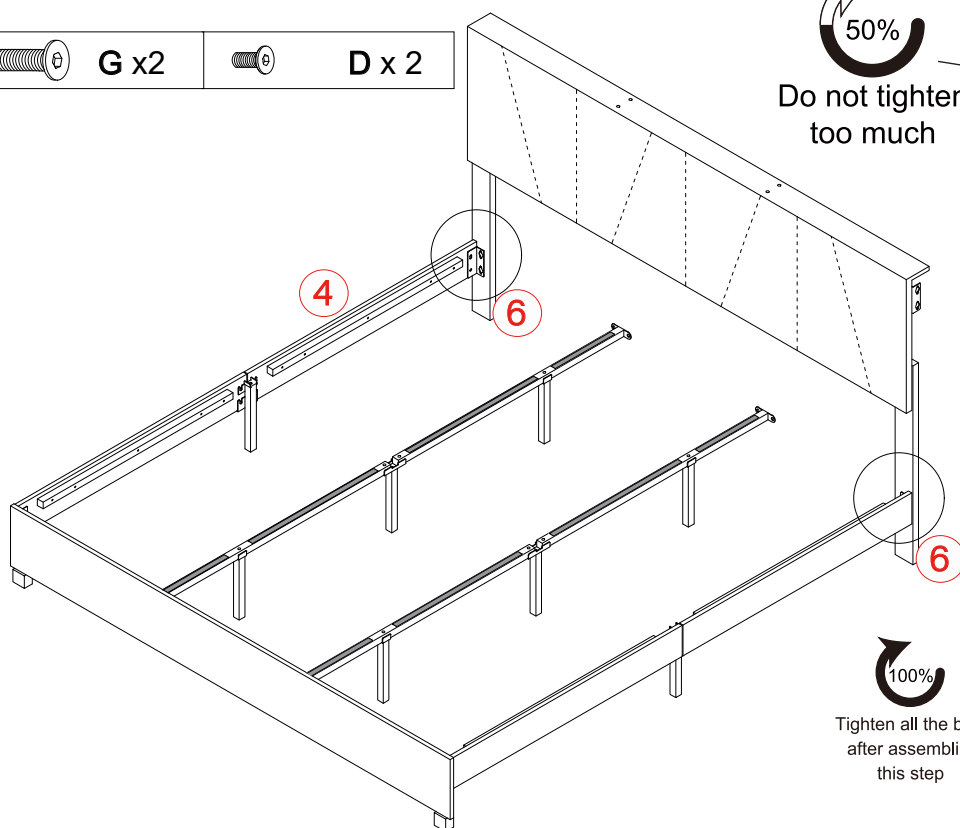
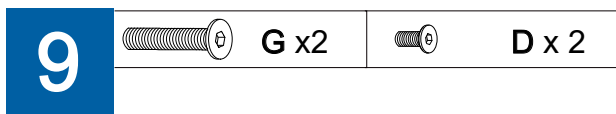


Note: Pay attention to the installation direction of part No. 6.

8  D x 4



ASSEMBLY INSTRUCTIONS

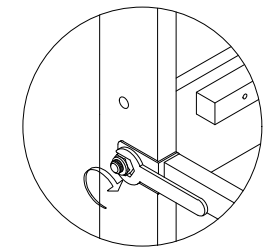
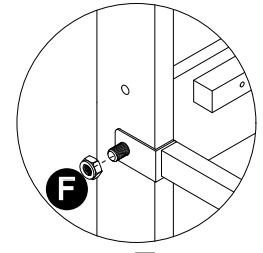
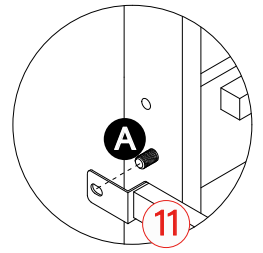
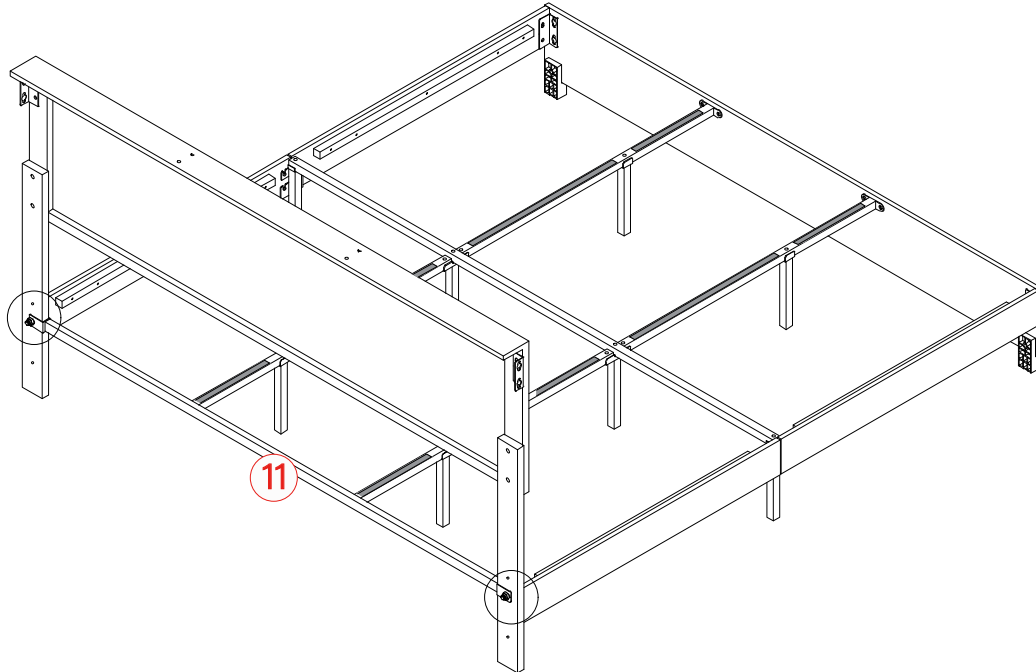


ASSEMBLY INSTRUCTIONS

11



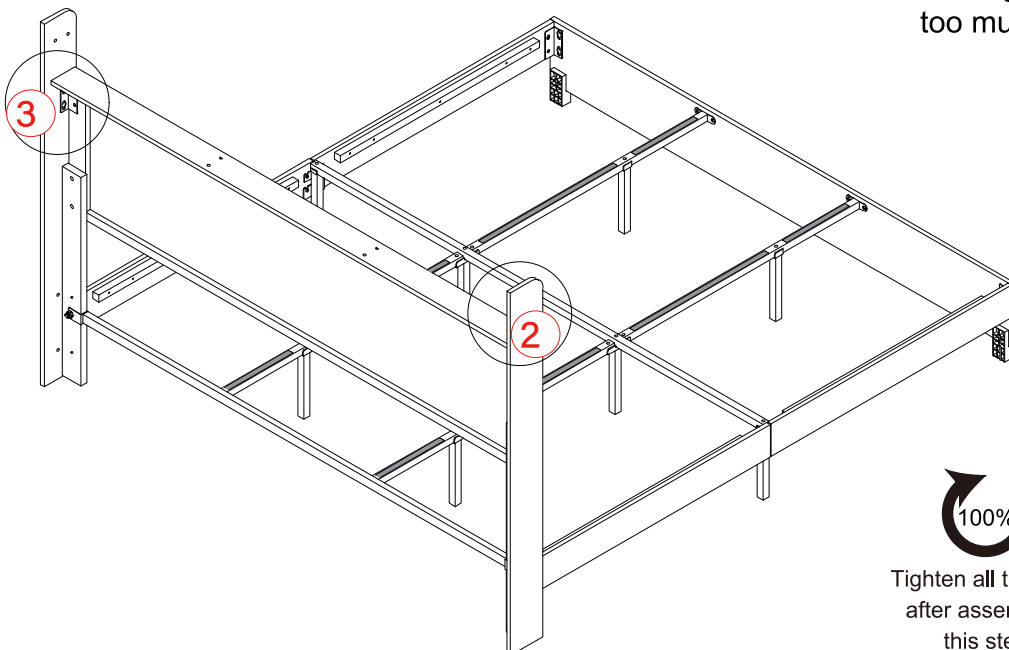
F x 2



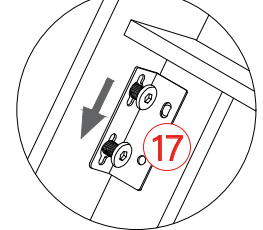
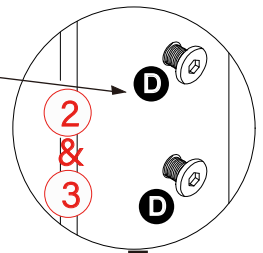
12



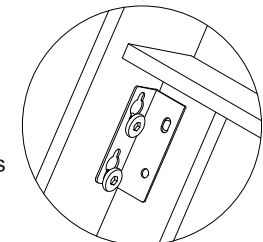
D x 4



Do not tighten too much



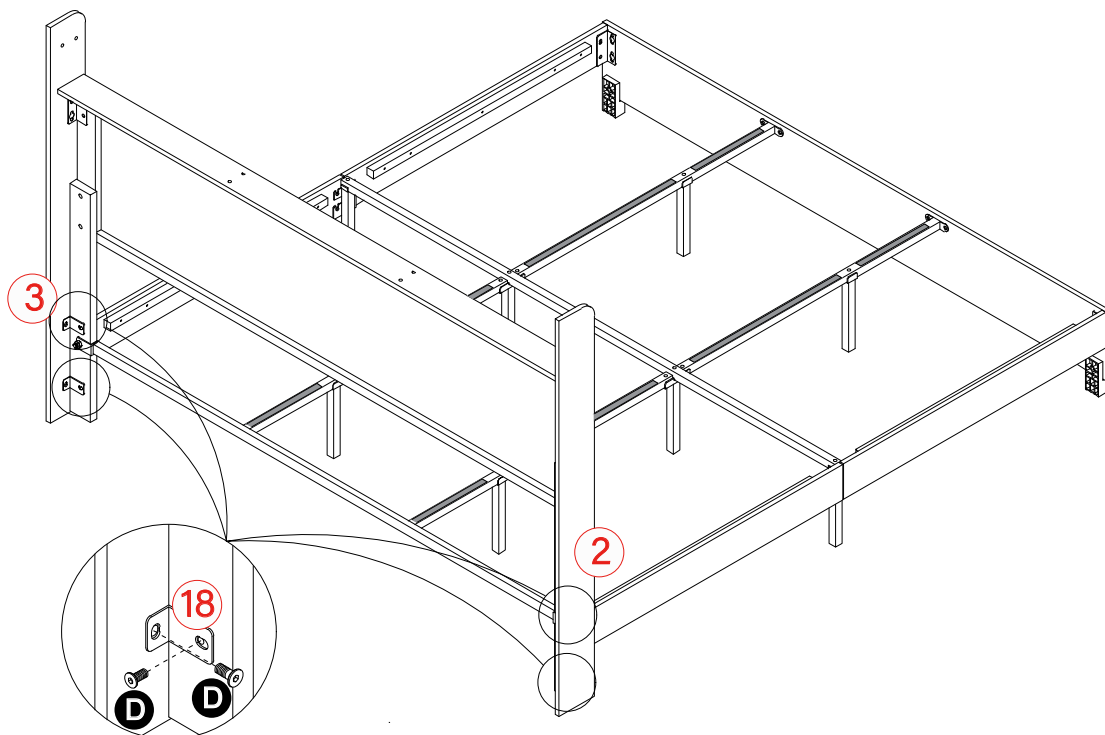
Tighten all the bolts after assembling this step



ASSEMBLY INSTRUCTIONS

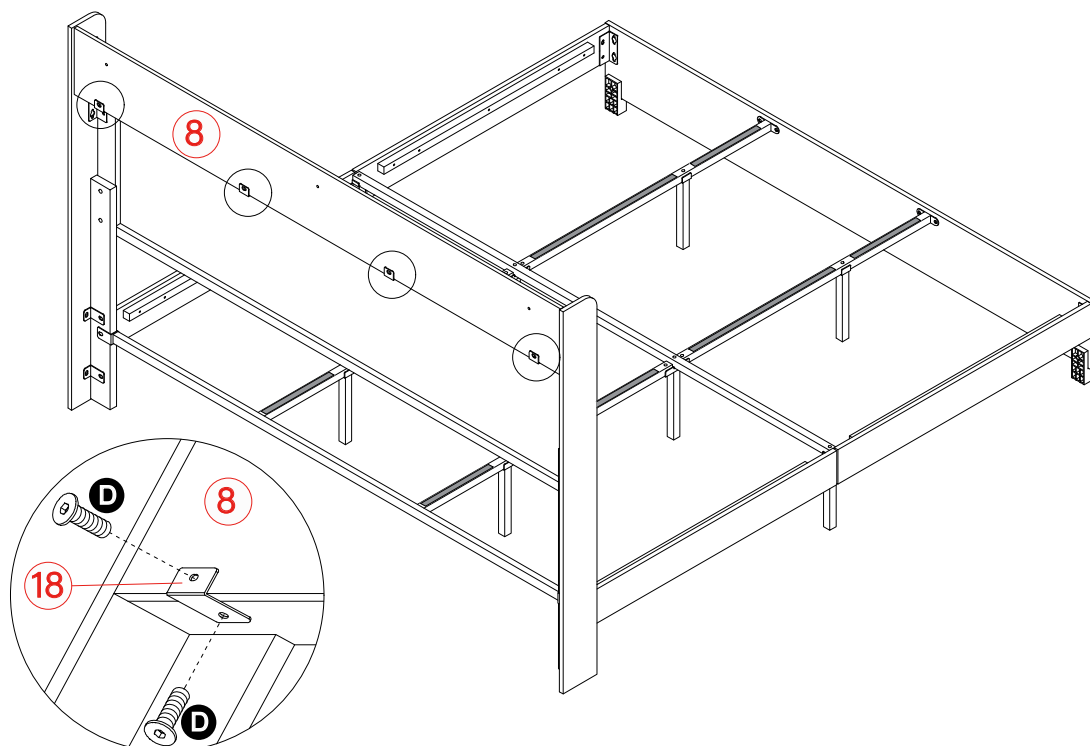
13

 D x 8



14

 D x 8

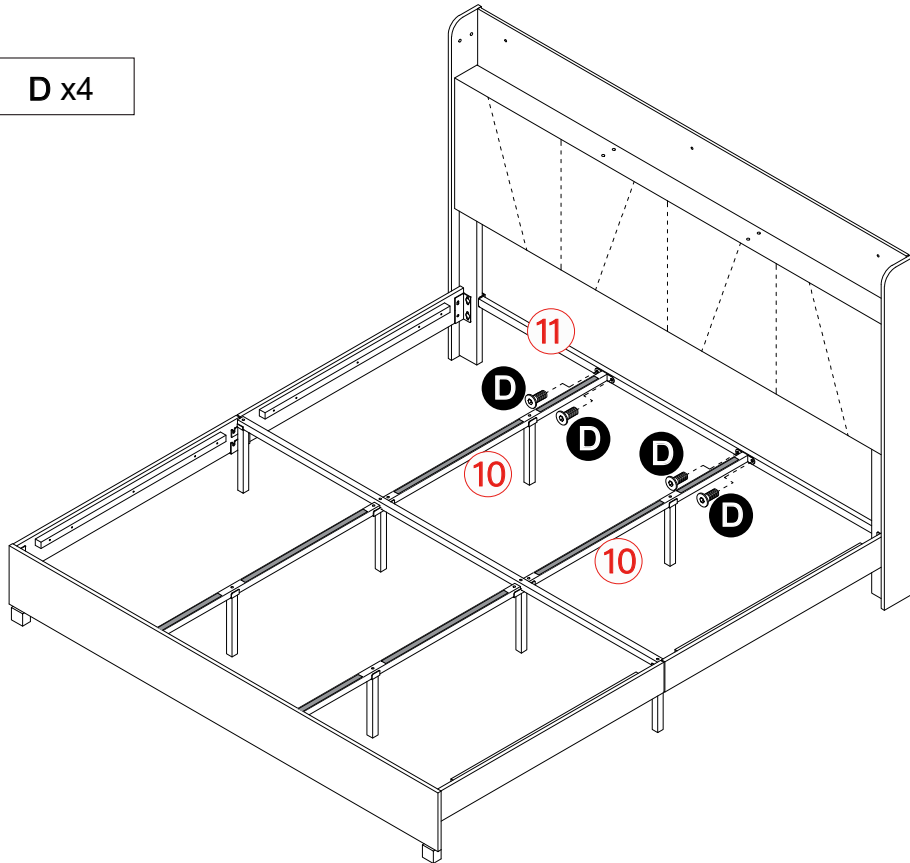


ASSEMBLY INSTRUCTIONS

15



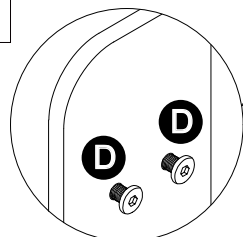
D x4



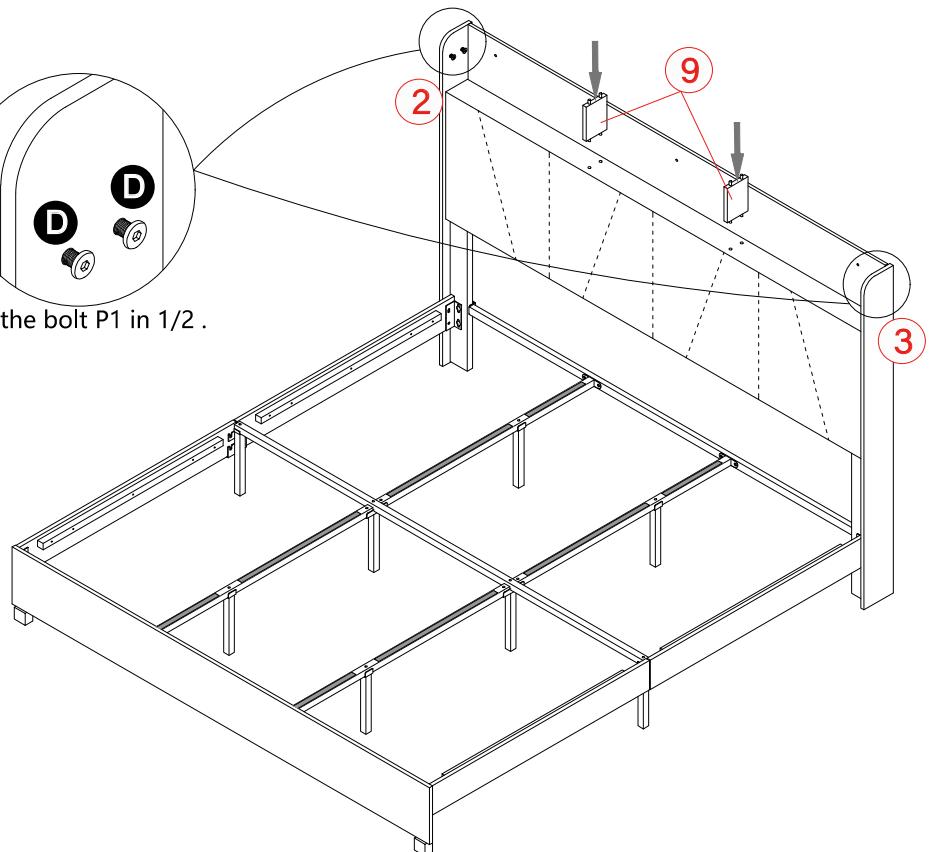
16



D x4



Screws the bolt P1 in 1/2 .

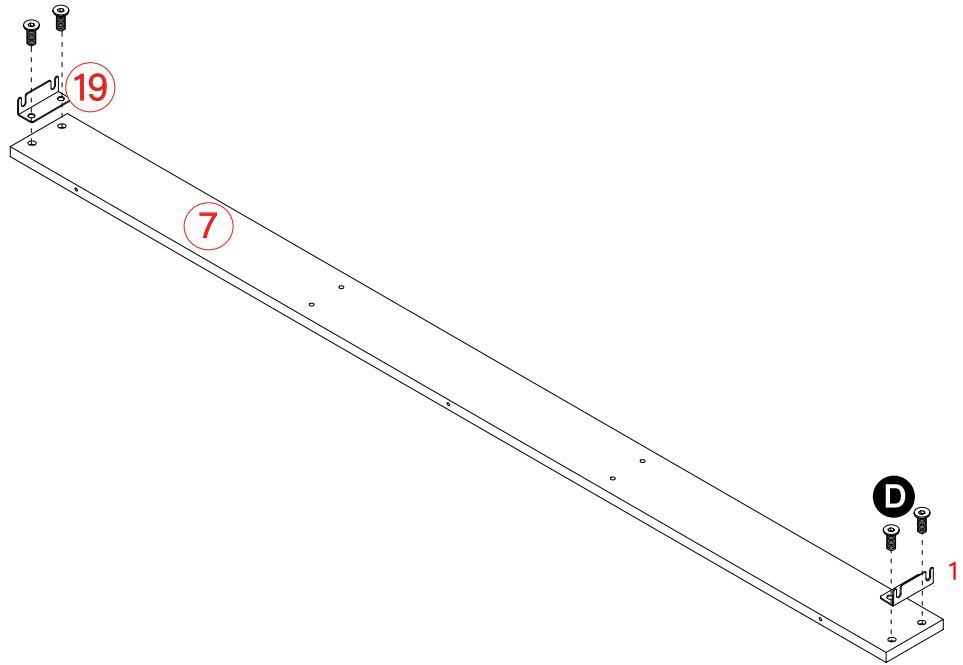


ASSEMBLY INSTRUCTIONS

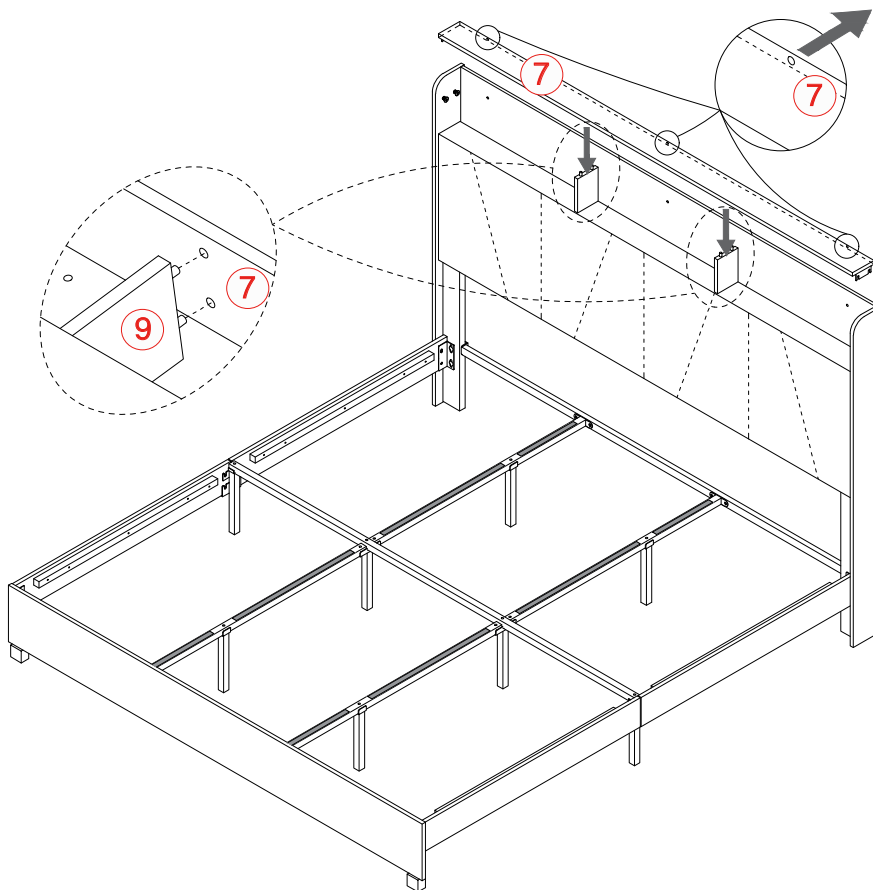
17



D x 4



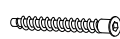
18

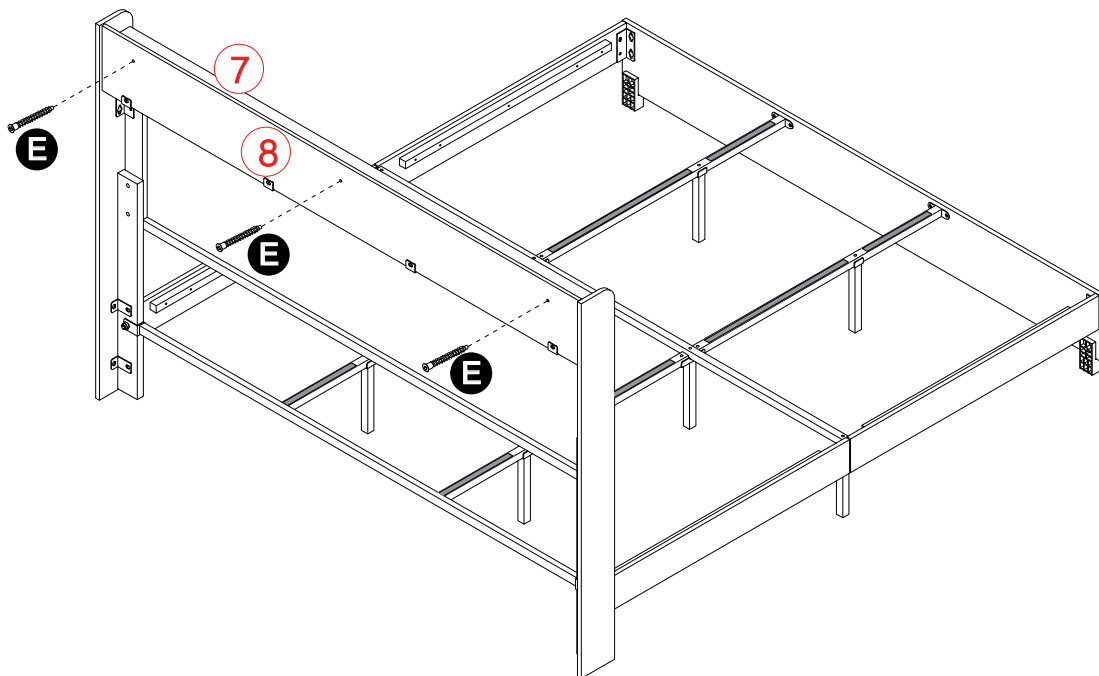


Note: Make sure the side with 3 hole of part (7) are facing the back as shown.

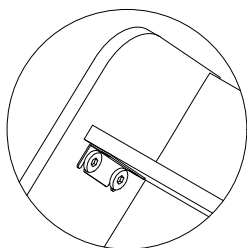
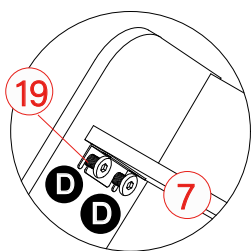
ASSEMBLY INSTRUCTIONS

19

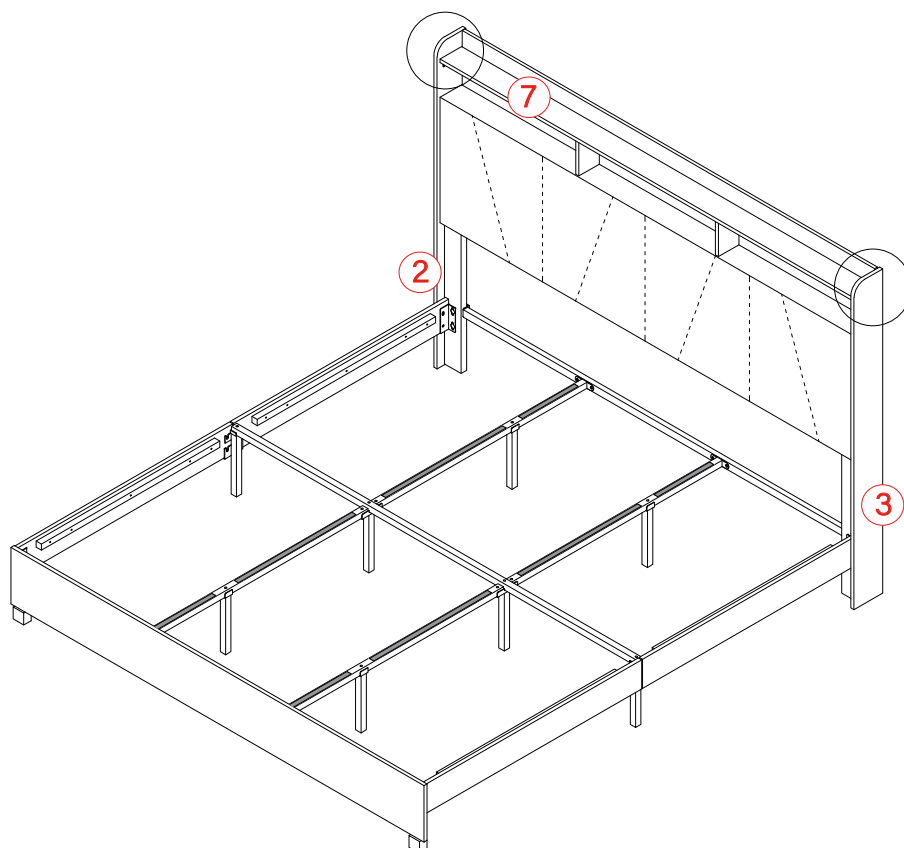
 E x 3



20

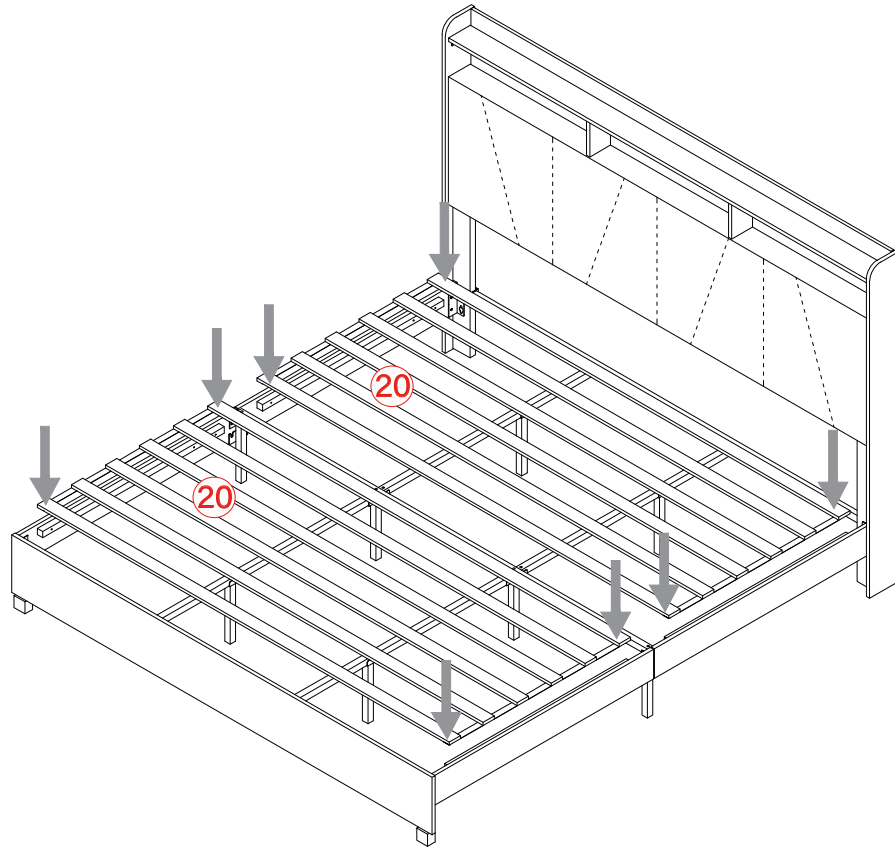


Tighten the screws.

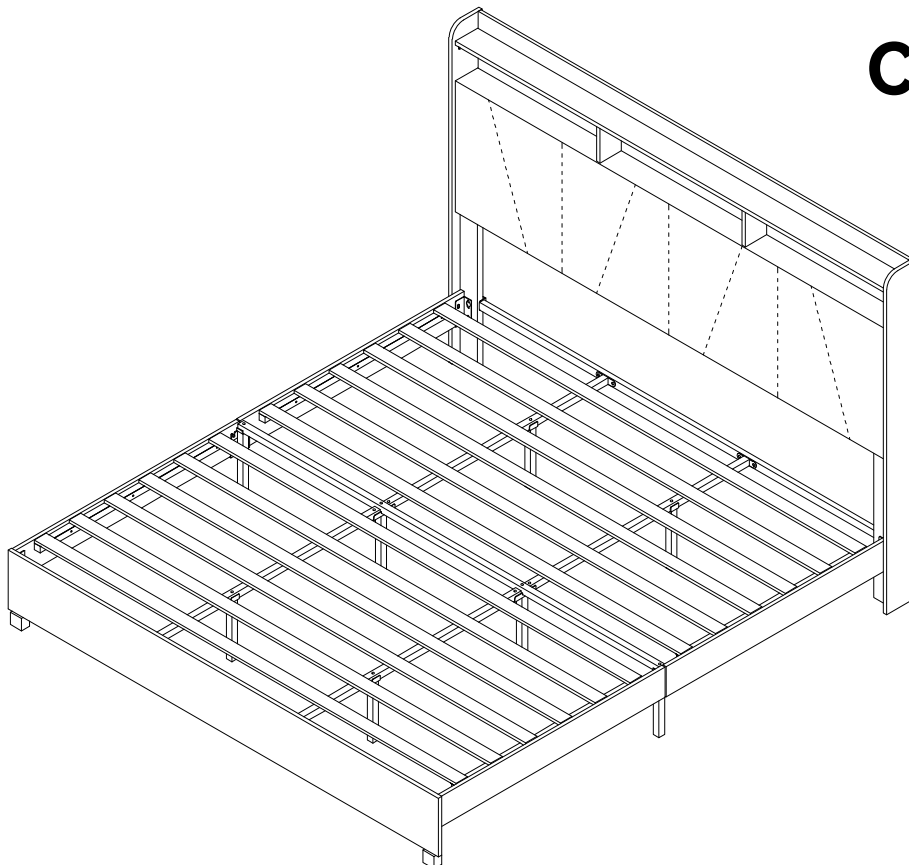


ASSEMBLY INSTRUCTIONS

21



22



COMPLETE

FREQUENTLY ASKED QUESTIONS

Q What should I do if I receive a broken/defective item?

A Each order is carefully checked and packed before shipping. If the item is broken /damaged, please contact our customer service immediately.

Q Is it difficult to assemble this bed frame?

A Assembly is straightforward, and all the accessories are labelled, making it very clear.

Q Does the bed frame come with the essential hardware, tools & instructions?

A Yes. All you need to assemble is well-packaged and shipped in one box.

Q Does it require a box spring?

A No box spring is needed. The bed frame comes with strong slats that provide support for the mattress.

Q Why are the holes on the bed frame misaligned, and why won't the screws go in?

A When assembling this bed frame, avoid over-tightening the screws initially. Start by screwing them in about 70% of the way. Once you've completed the entire assembly, you can then fully tighten all the screws.