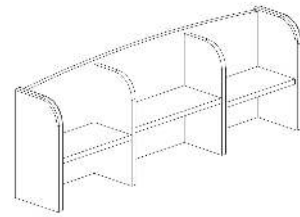
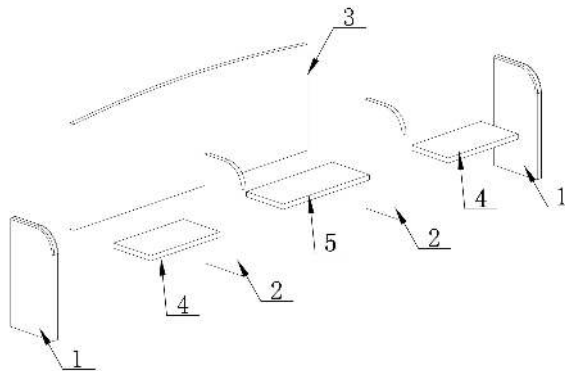


INSTALLATION DIAGRAM

Name: Desk
Specification: 141.50" x 59.07" x 74.24" 47.75" 74" 41.07" 46"

① {Bookshelf disassembly diagram}



Hardware Accessories List

No.	Name	Quantity	Specification	Unit	Quantity	Unit
01	Wood screws	16	Φ16	16	Set	
02	Wood screws	9	Φ8x30	9	Set	
03	Wood screws	4	Φ7x30	4	Set	
04	Self-tapping screws	18	Φ3.5x14	18	Set	
05	Self-tapping screws	3	Φ2.5x35	3	Set	
06	Washers	20	Φ16	20	Set	
07						
08						
09						
10						
11						
12						
13						
14						
15						
16						
17						

Installation sequence step 1,

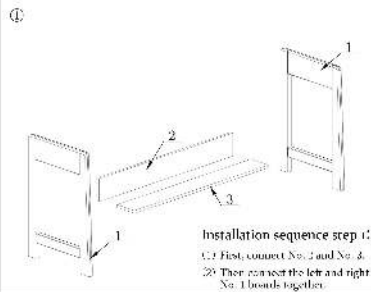
- (1) First, connect the 2, 5th piece, then install the 3rd board.
- (2) The No. 4 board is connected to the left and right No. 2 boards.
- (3) Finally, the left and right No. 1 boards are connected to the No. 3, 4 board.

No.	Name	Quantity	Note	No.	Name	Quantity	Note	No.	Name	Quantity	Note
01	Tablet	3	Left and right	7				13			
02	Tablet side	2	Left and right	8				14			
03	Back panel	1		9				15			
04	Tablet side	2		10				16			
05	Tablet support	1		11				17			
06				12				18			

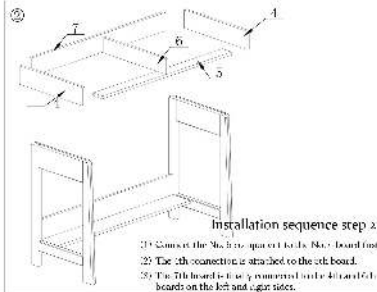
INSTALLATION DIAGRAM

Name: Desk
Specification: 141.50" x 59.07" x 74.24" 47.75" 74" 41.07" 46"

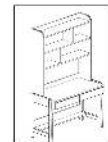
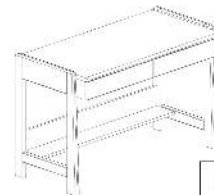
Note: The tabletop can be adjusted in height.



Installation sequence step 1:
1) First, connect No. 2 and No. 5.
2) Then connect the left and right No. 1 boards together.

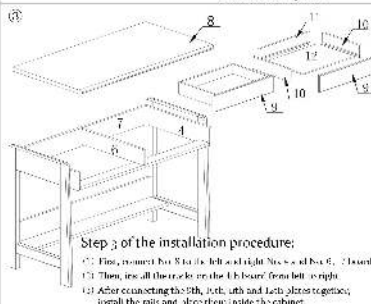


Installation sequence step 2:
1) Connect the No. 3 to the No. 2 boards.
2) The 4th connection is attached to the 2nd board.
3) The 5th board is finally connected to the 4th and 6th boards on the left and right sides.

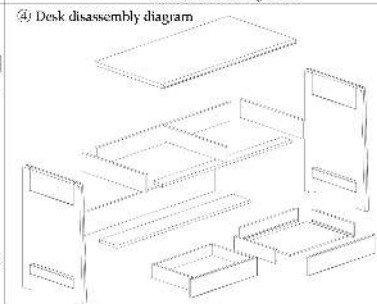


Hardware Accessories List

No.	Name	Quantity	Specification	Unit	Quantity	Unit
01	Wood screws	30	Φ13	30	Set	
02	Wood screws	11	Φ8x30	11	Set	
03	Flat head screws	4	Φ8x30	4	Set	
04	Self-tapping screws	42	Φ3.5x14	42	Set	
05	Self-tapping screws	13	Φ2.5x35	13	Set	
06	Washer	1		1	Set	
07	Tablet support	2	16"	2	Set	
08	Flat head screws	6	Φ11	6	Set	
09	Tablet support	3	76x21x2	3	Set	
10	Washer	1		1	Set	
11	Wood bush	6	Φ7x38	6	Set	
12						
13						
14						
15						
16						
17						



Step 3 of the installation procedure:
1) First, connect the No. 3 to the left and right No. 2 boards.
2) Then, use all these to use the 4th board from left to right.
3) After connecting the 5th, 6th, 7th and 8th pieces together, install the 9th and place them inside the cabinet.



No.	Name	Quantity	Note	No.	Name	Quantity	Note	No.	Name	Quantity	Note
01	Left and right sideboards	2	Left and right	7	Upper board top	1		12			
02	Upper board panel	1	Back	8	Back	1		13			
03	Lower board	1	Right sideboard	9	Right sideboard	2	Left and right	14			
04	Left and right sideboards	2	Left and right	10	Sideboard back	4	Left and right	15			
05	Middle and top support	1		11	Bottom of sideboard	2		16			
06	Middle and top support	1		12	Bottom of sideboard	2		17			