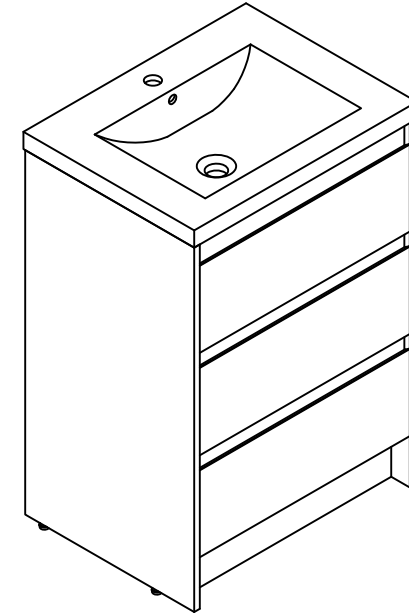


## THANKS FOR WATCHING

Your feedback is invaluable to us and we would love to hear about your experience. Please take the time to leave us a review.


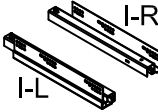
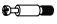














## Thank you for shopping with us!

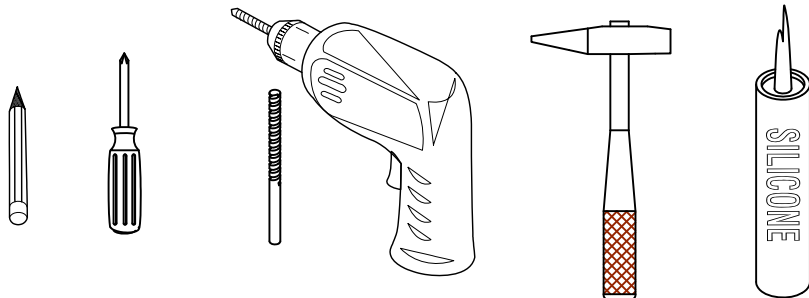
We encourage you to take a few minutes to go through this booklet. It contains important information on installation and care tips to keep your furniture looking as good as new.

# Item NO.:BV B120 J24

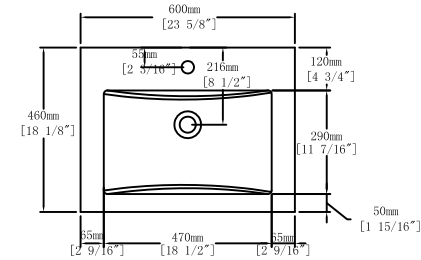
## Hardware

NO.	Draw	QTY	NO.	Draw	QTY
A	 Screws Ø4x14mm	58	I	 I-R I-L Track	3
B	 Two-in-one connector	56	J	 U-Shaped plastic	2
C	 Two-in-one connector	56	K	 Screws Ø4x20mm	12
D	 Wood plug	4	L	 Screws Ø4x10mm	14
E	 Plastic anchor(Ø10mm)	2	M	 Adjustable feet	4
F	 Screws for fix on the wall	2	N	 Anti-collision gasket	12
G	 Bracket (53x70x44mm)	2	O	 Screwdriver	1
H	 Bracket (19x19x35mm)	2			

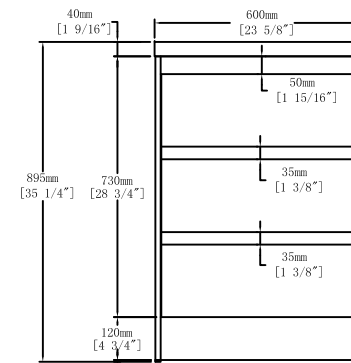
## Recommended tools



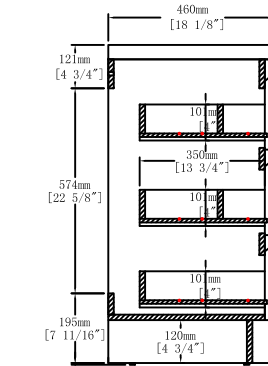
## Dimensions



Top View



Front View

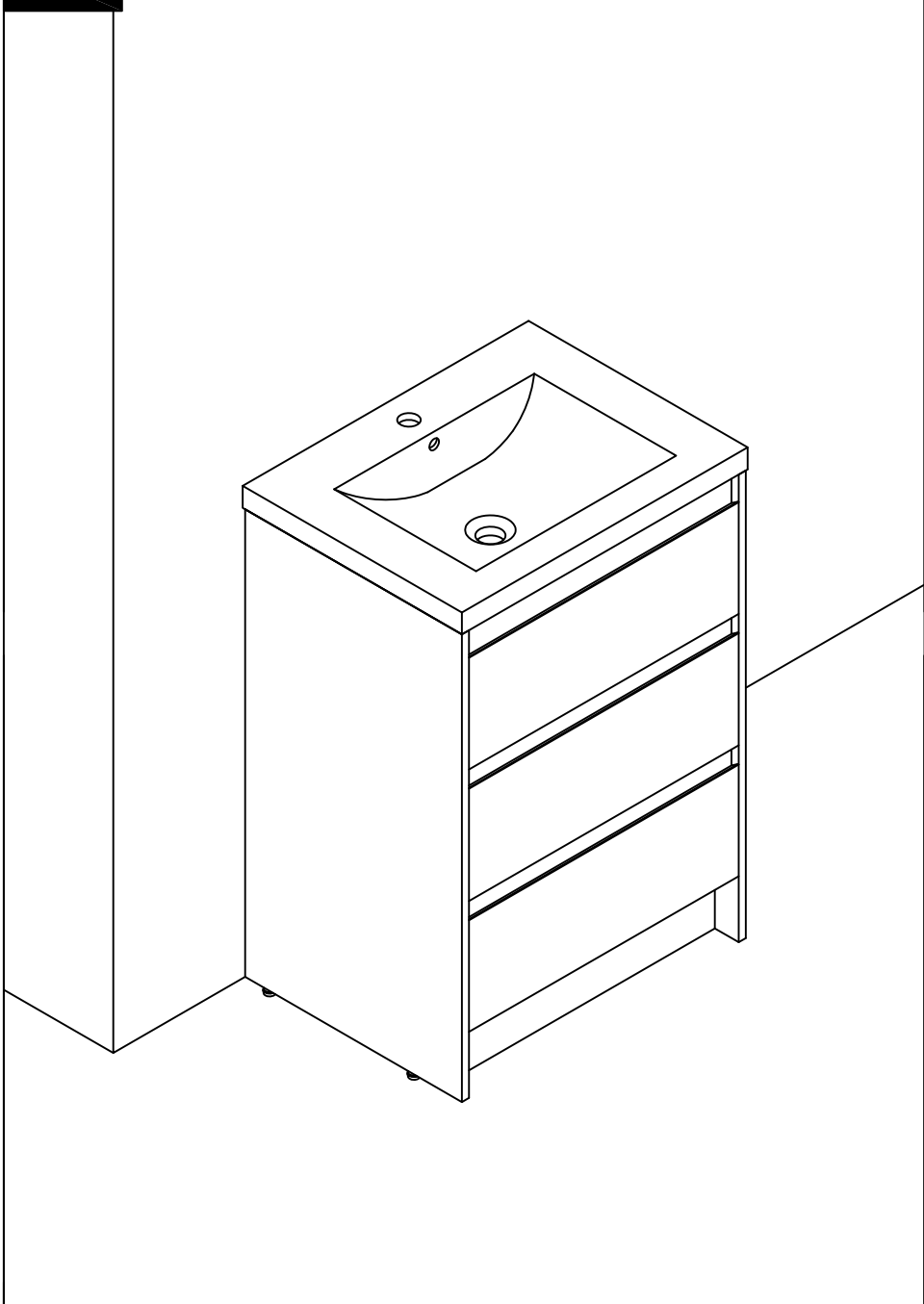


Side View

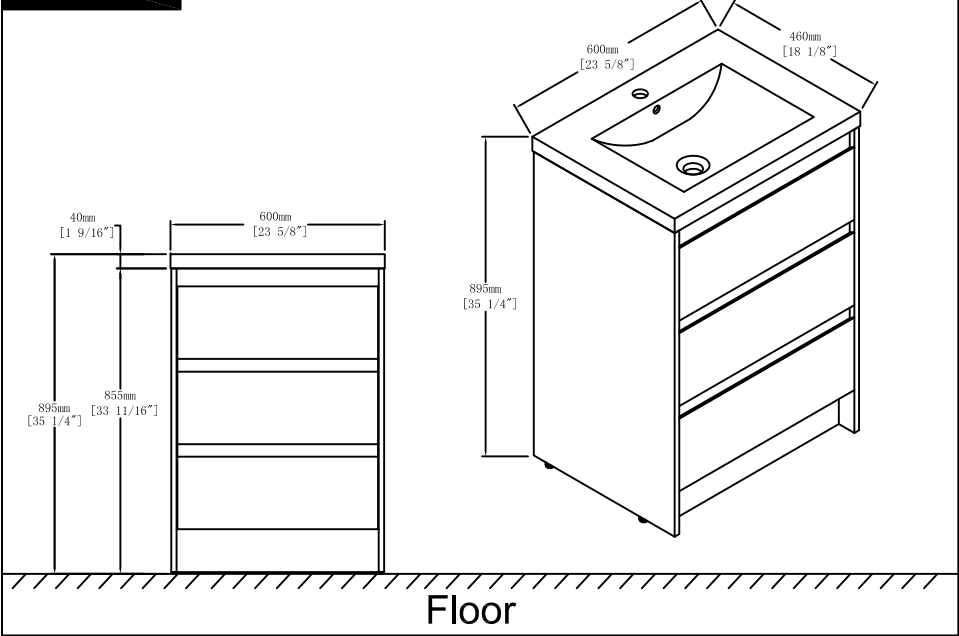
## CARE CLEANING AND MAINTENANCE

1. Dust regularly with a soft , dry cloth.
2. Avoid the use of all chemicals household cleaners, abrasives, or cleaners that contain lemon, vinegar, or other acids that may damage the finish.
3. Excessive exposure to sunlight and extreme changes in temperature and moisture can damage wood furniture.
4. The sink is fragile, please pay attention to maintaining its appearance.
5. Do not place hot appliances, such as curling irons and hot hair dryers directly on the countertop. Wipe spills immediately.

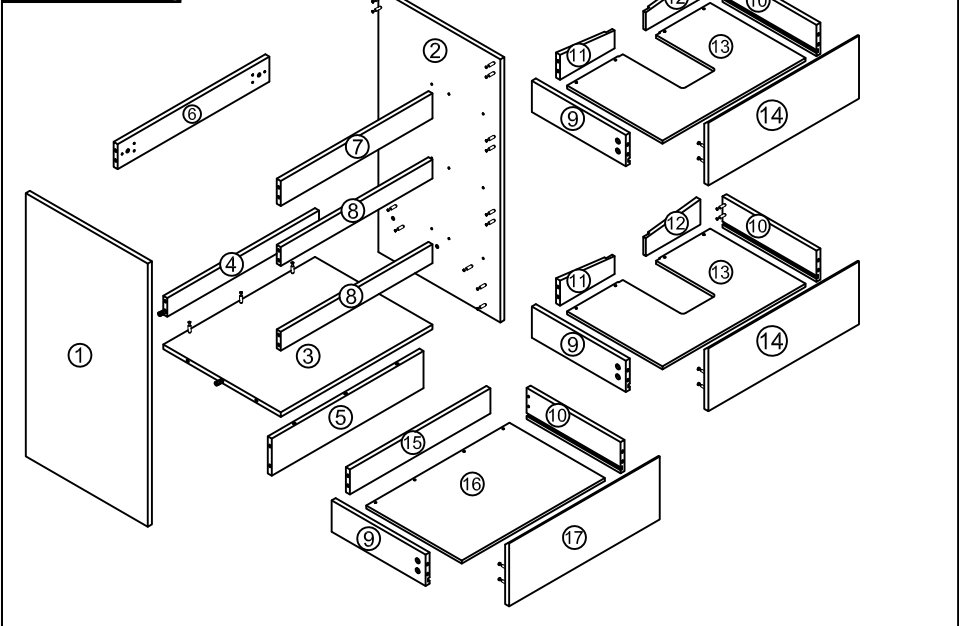
# Finished



# Dimensions

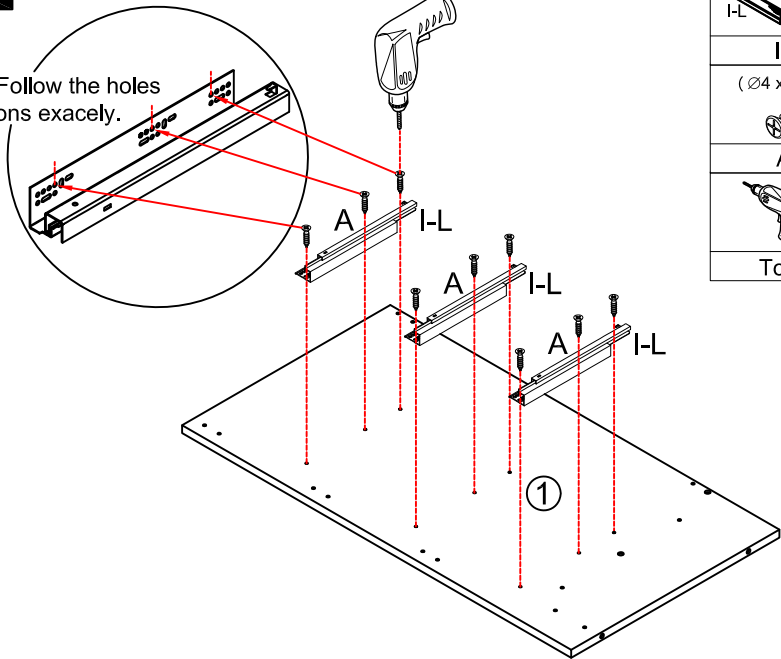




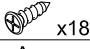
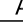

# Components



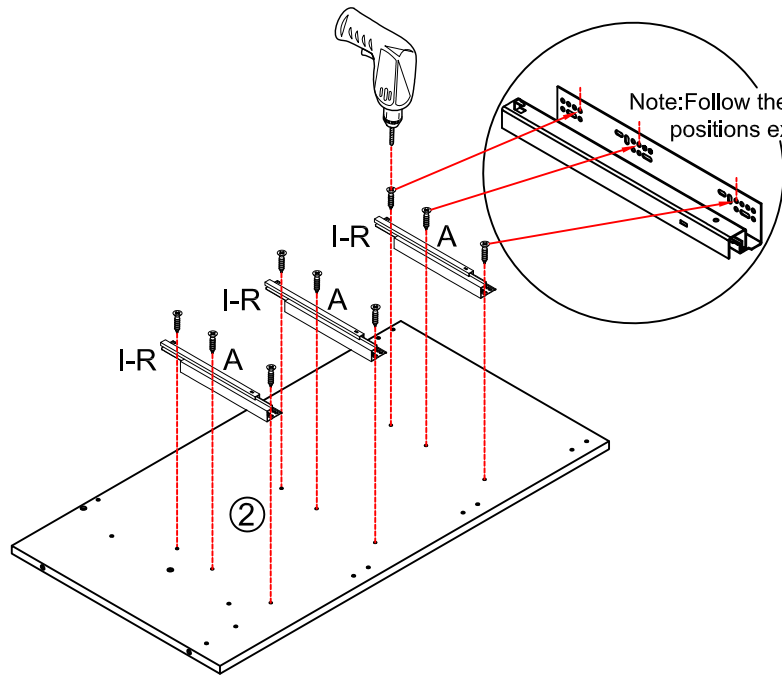
### Step 1

Note: Follow the holes positions exactly.

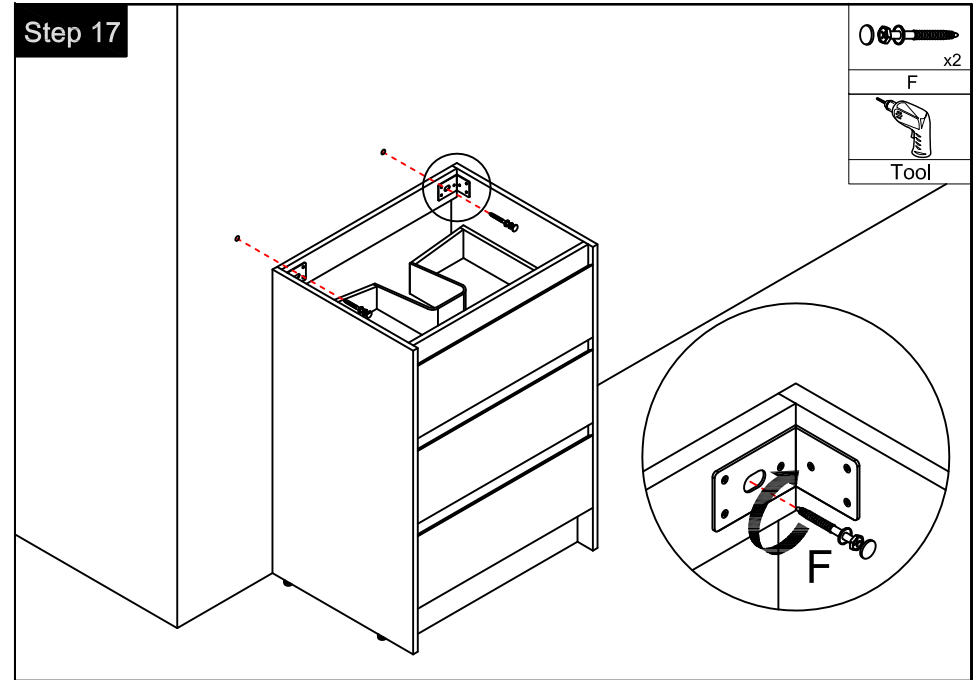




-  I-L x3
-  I  
( $\varnothing 4 \times 14\text{mm}$ )
-  A x18
-  A
-  Tool

Note: Follow the holes positions exactly.

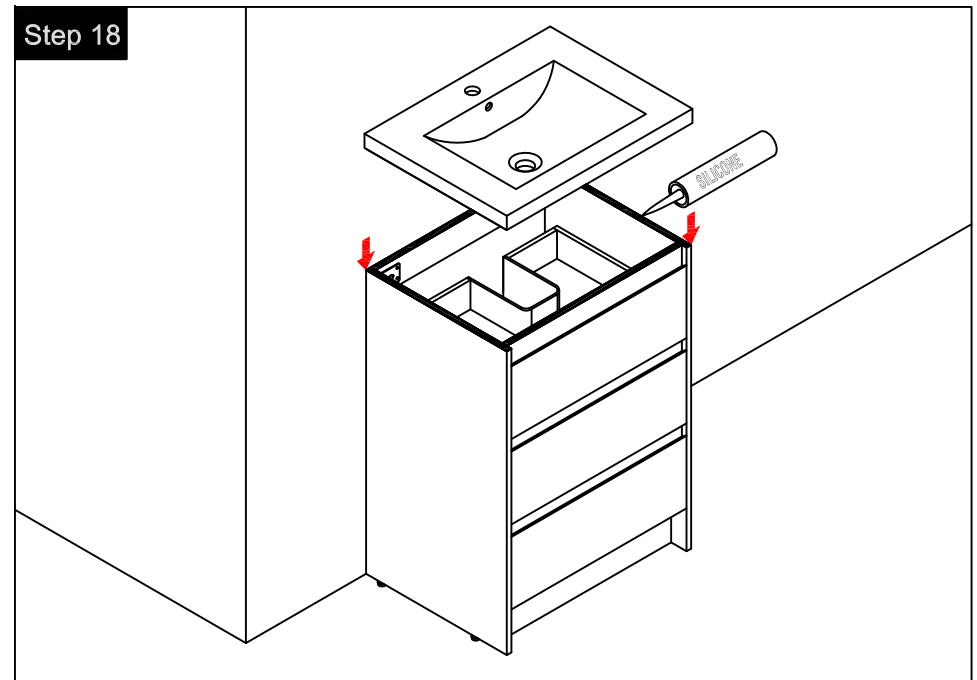


### Step 17





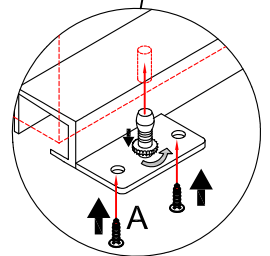
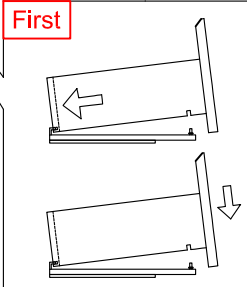
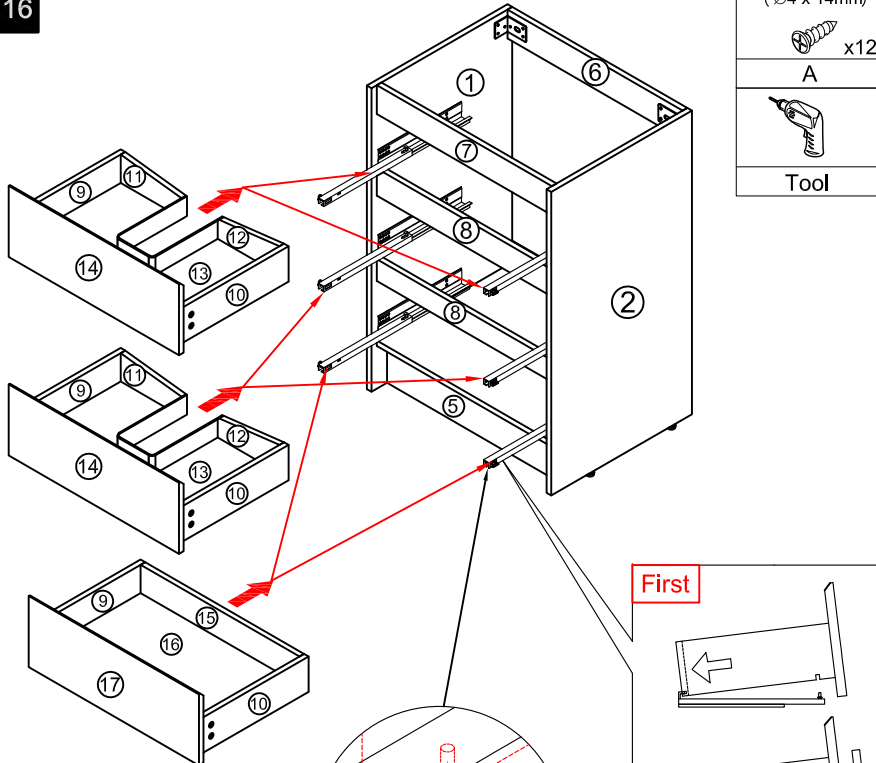
-  F x2
-  Tool

### Step 18

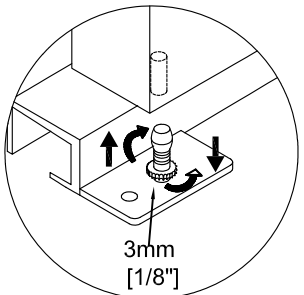


### Step 16

- ( $\varnothing 4 \times 14\text{mm}$ )
-  x12
- A
- 
- Tool



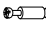

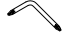
**Third step:** The bottom of the rail is fixed with screw A.

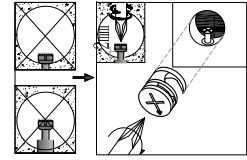
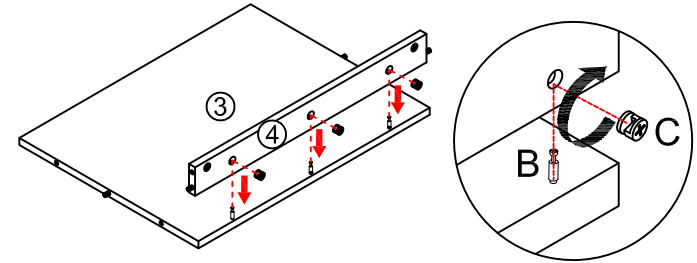


Note: The rails adjust their height 3mm.

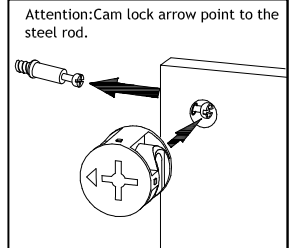
**Second step:** Tuck the rear holes.

### Step 2

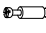

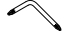
-  x3
- B
-  x3
- C
- 
- O

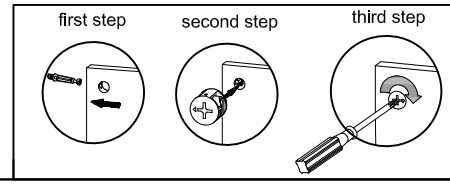
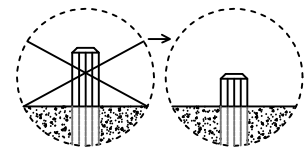
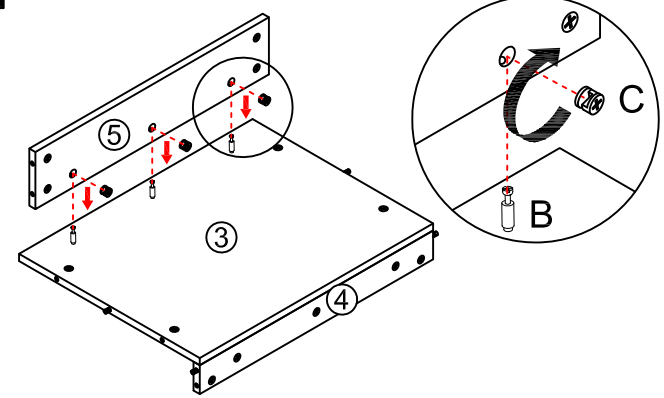


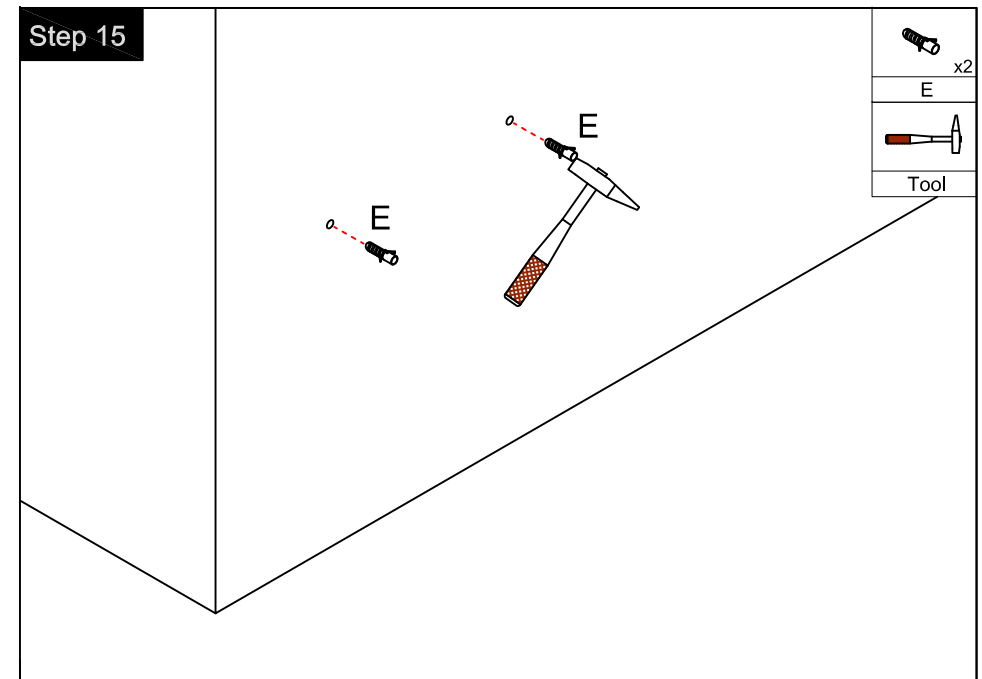
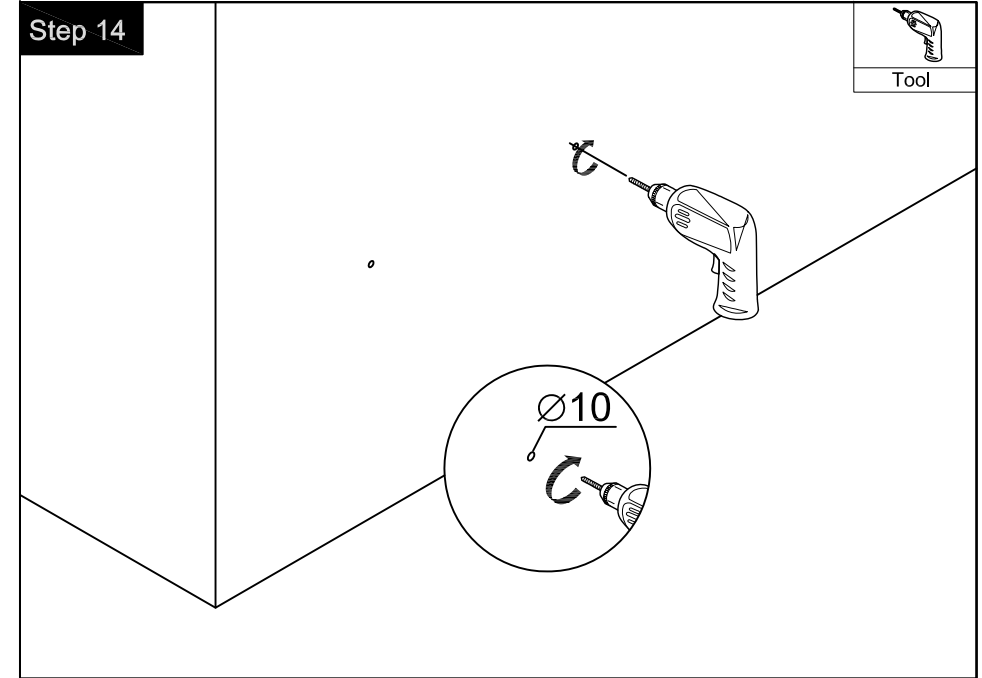
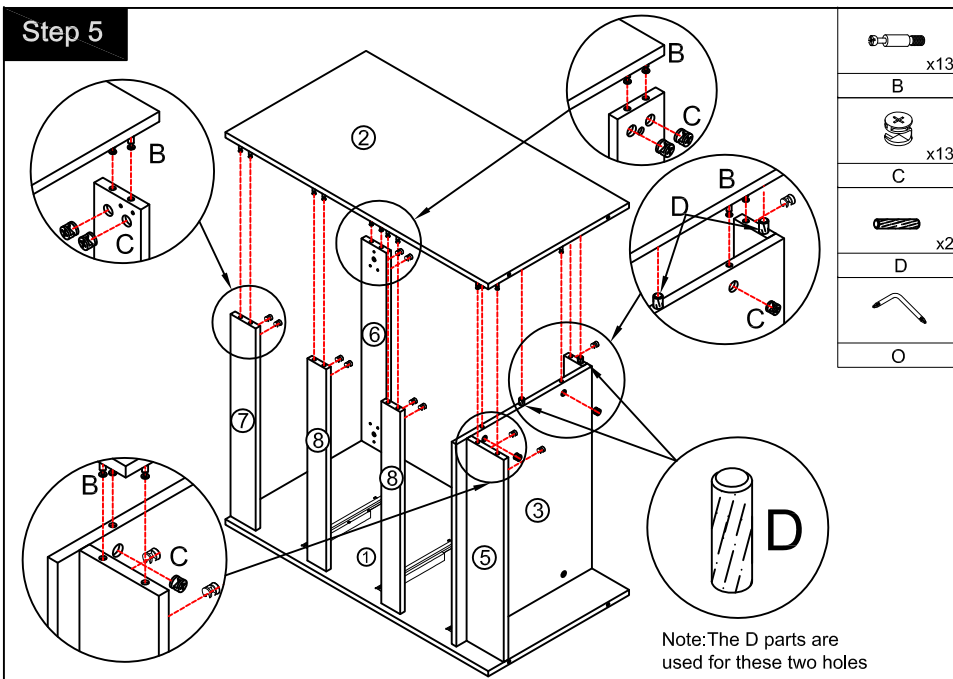
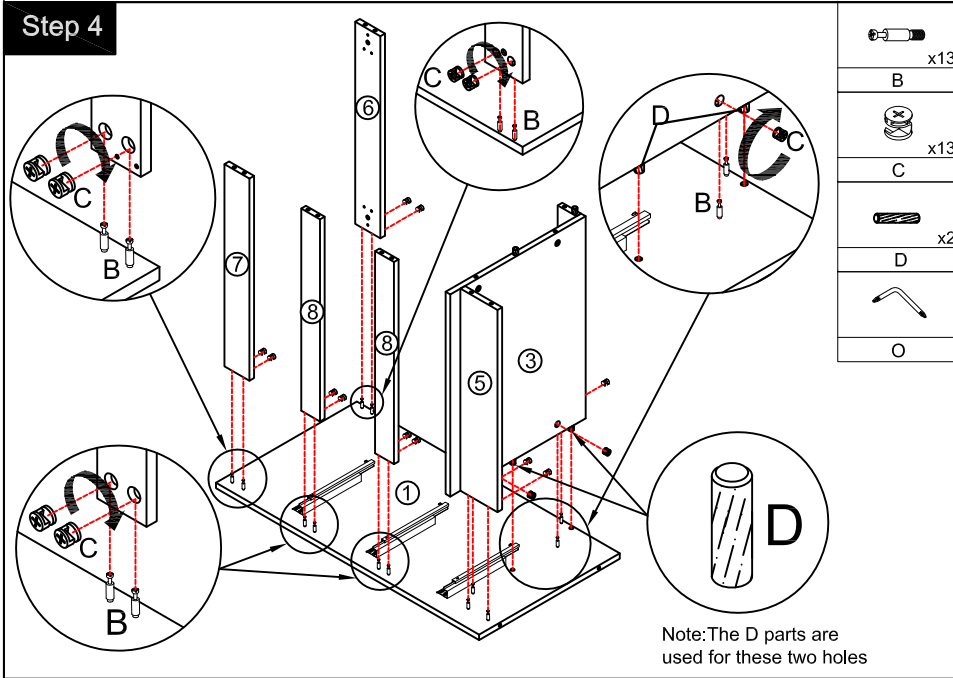
Notes: Screw installation depth as shown



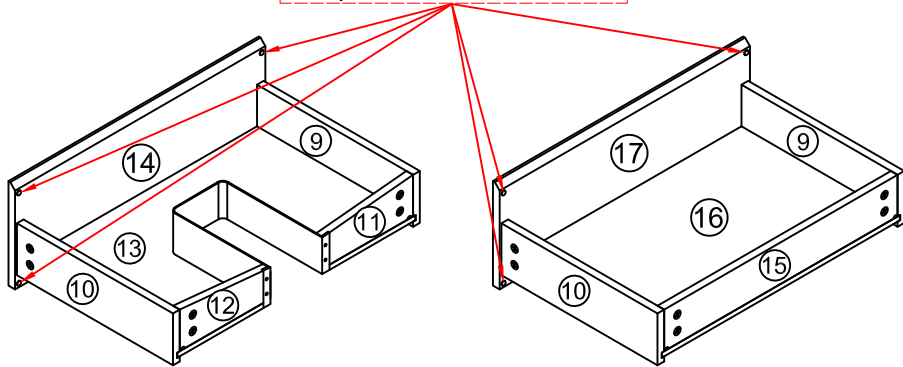
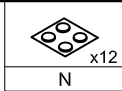
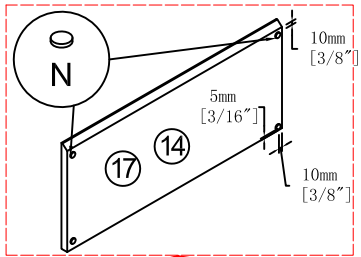
### Step 3

-  x3
- B
-  x3
- C
- 
- O

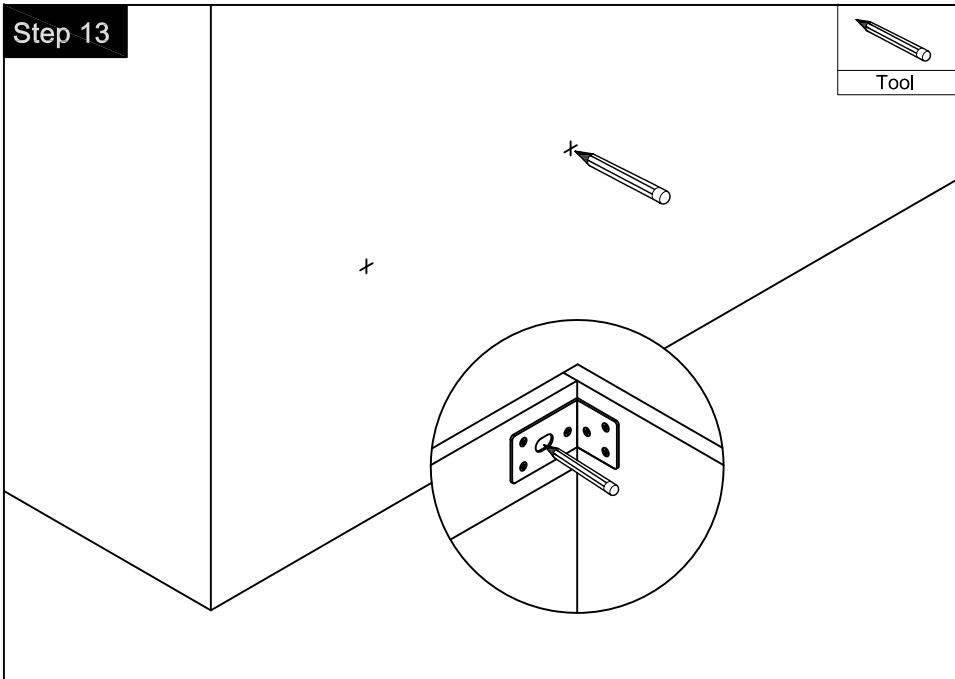
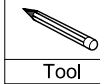




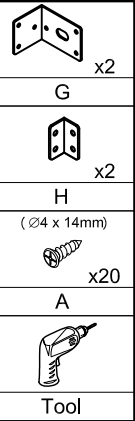
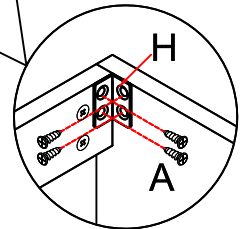
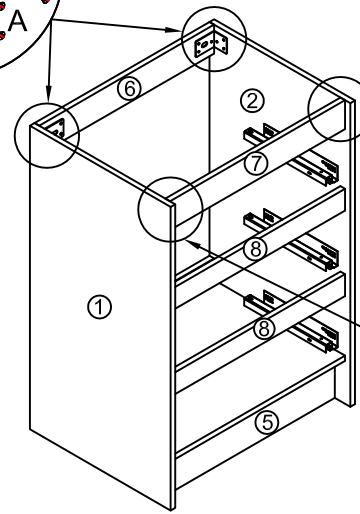
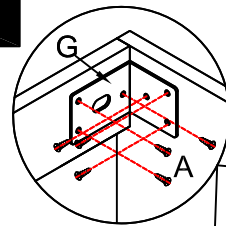
Step 12



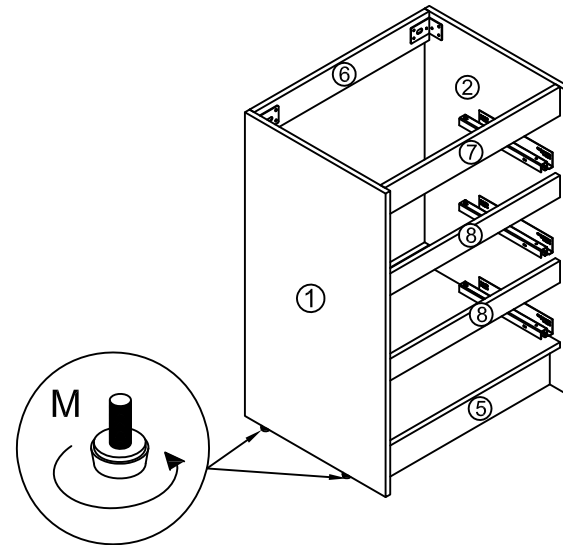
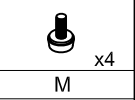
Step 13

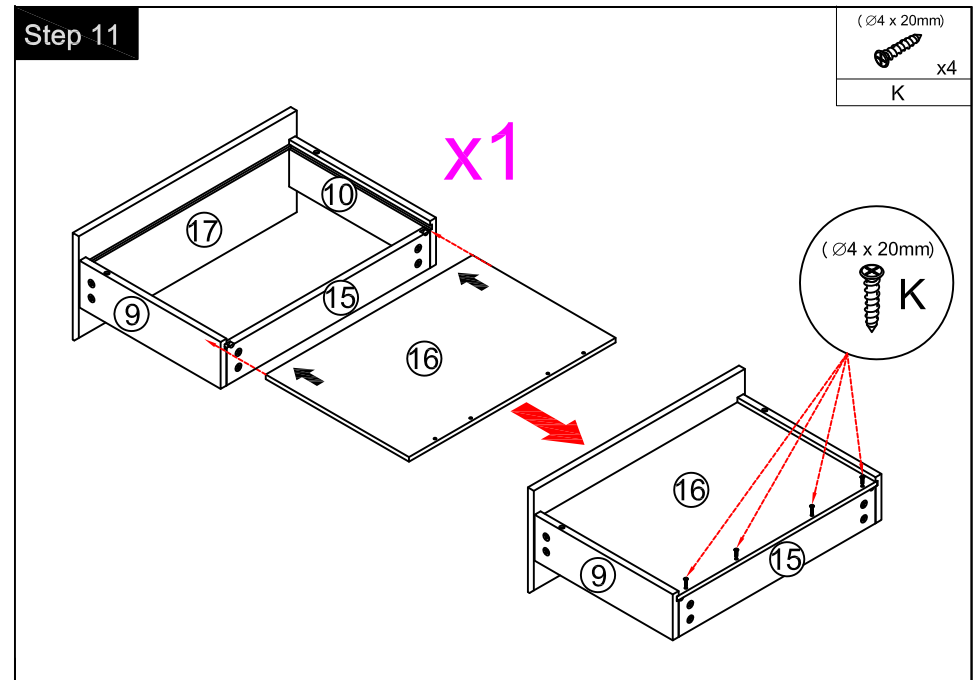
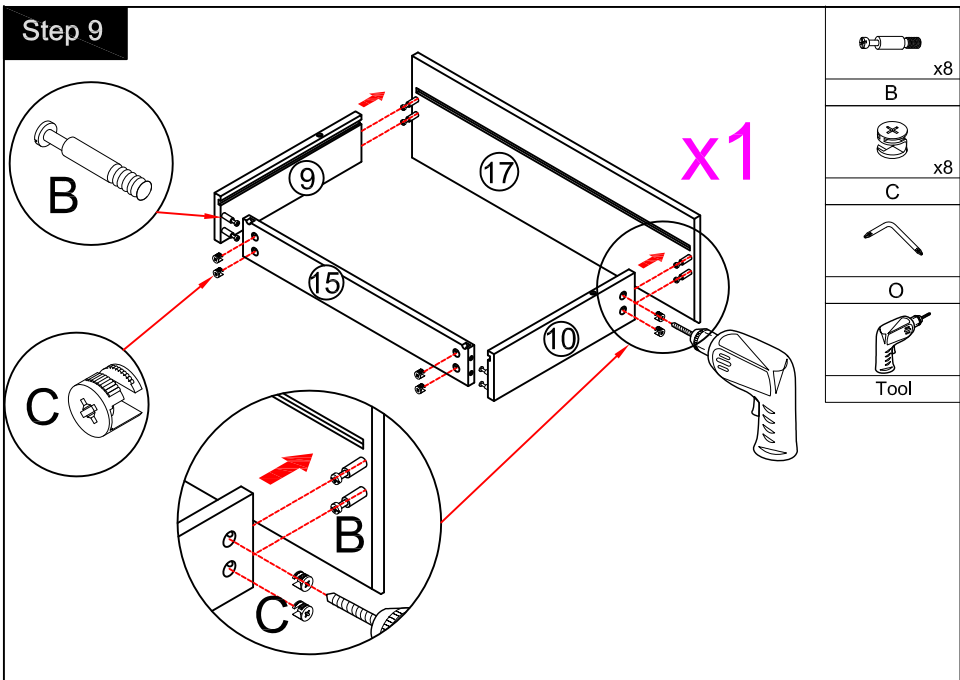
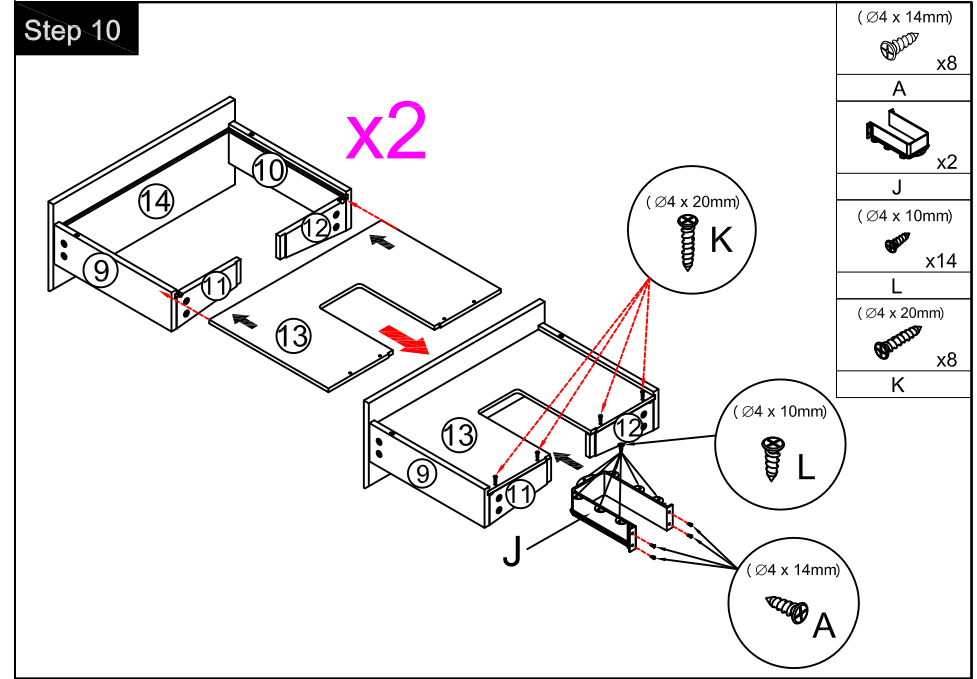
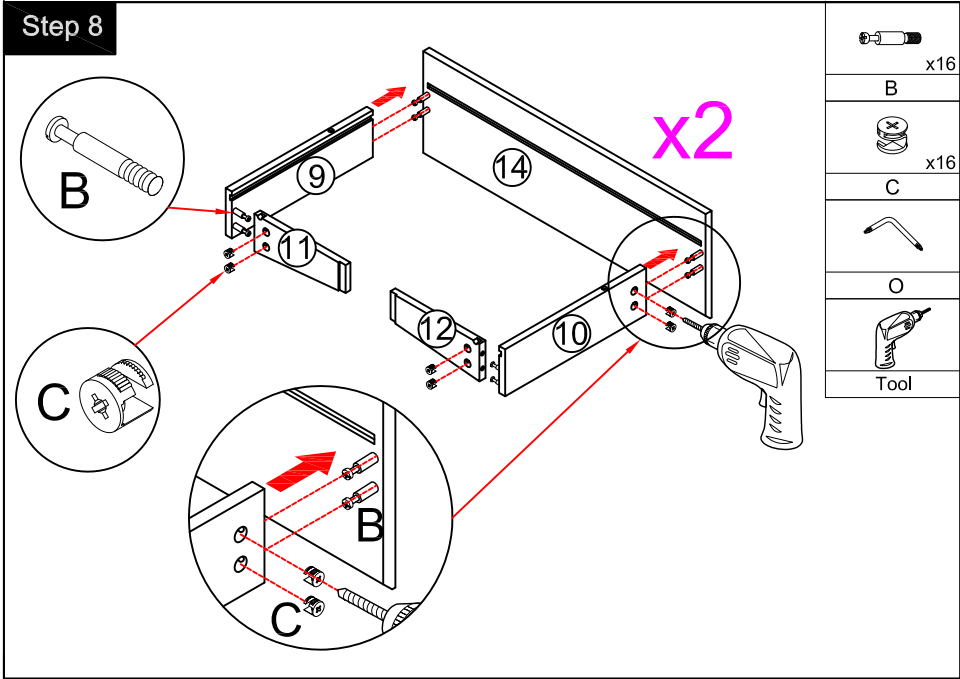


Step 6



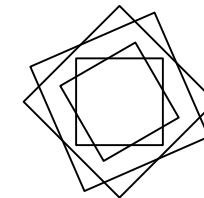
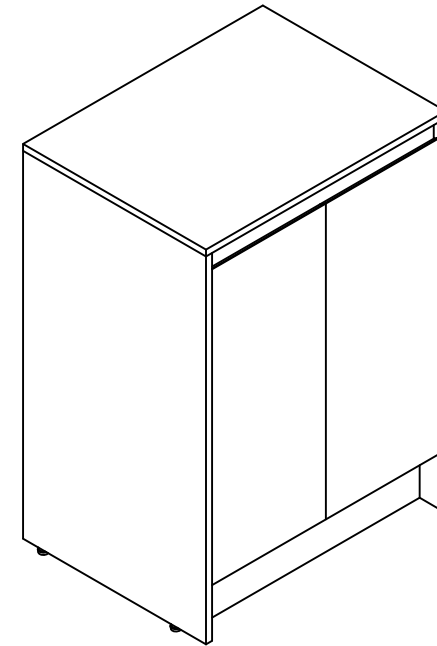
Step 7





## THANKS FOR WATCHING

Your feedback is invaluable to us and we would love to hear about your experience. Please take the time to leave us a review.



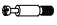







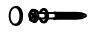


## Thank you for shopping with us!

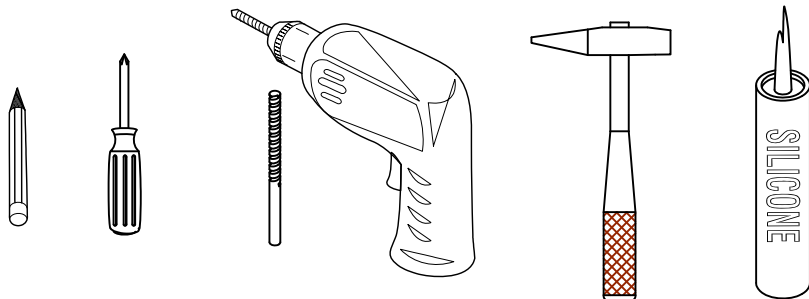
We encourage you to take a few minutes to go through this booklet. It contains important information on installation and care tips to keep your furniture looking as good as new.

# Item NO.:BV B120 E24A

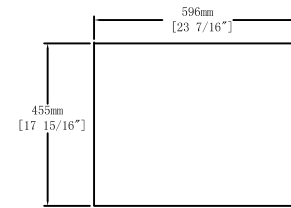
## Hardware

NO.	Draw	QTY	NO.	Draw	QTY
A	 Screws Ø4x14mm	24	G	 Hinges(Internal hiding )	4
B	 Two-in-one connector	32	H	 Adjustable feet	4
C	 Two-in-one connector	32	I	 Movable laminate support	4
D	 Wood plug	6	J	 Anti-collision gasket	4
E	 Plastic anchor(Ø10mm)	2	K	 Screwdriver	1
F	 Screws for fix on the wall	2			

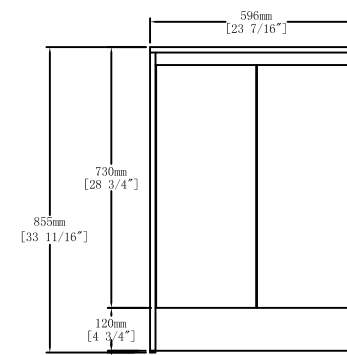
## Recommended tools



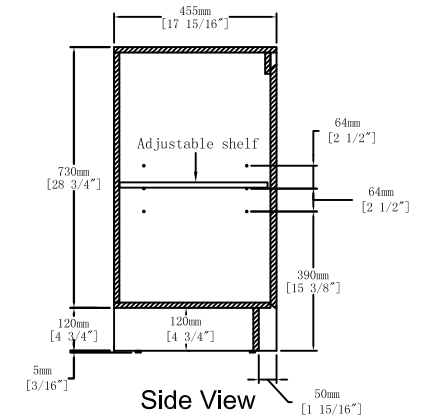
## Dimensions



Top View



Front View

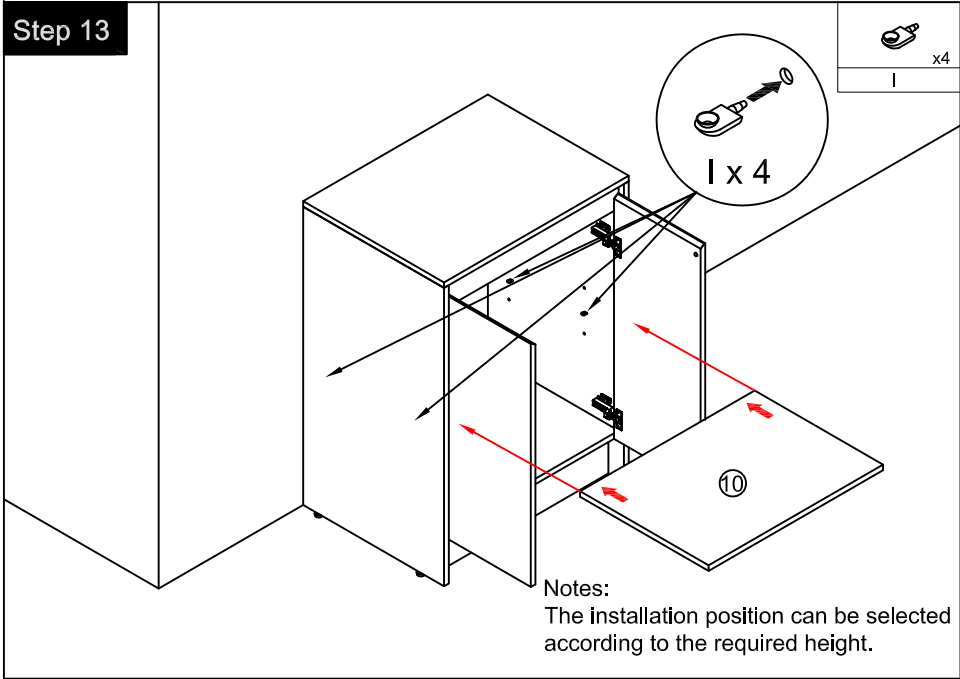


Side View

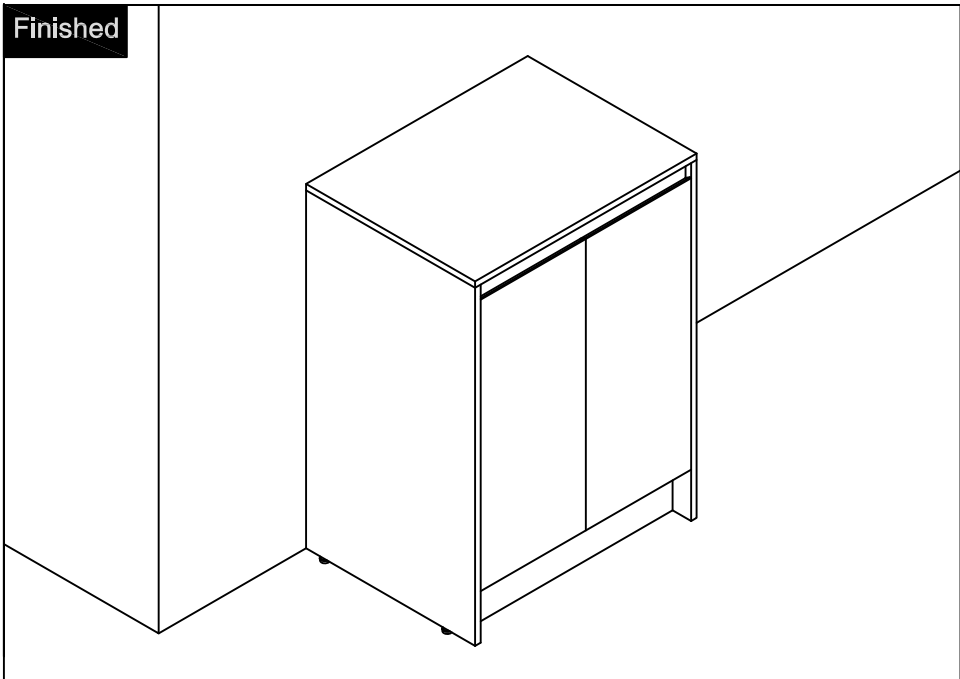
## CARE CLEANING AND MAINTENANCE

1. Dust regularly with a soft , dry cloth.
2. Avoid the use of all chemicals household cleaners, abrasives, or cleaners that contain lemon, vinegar, or other acids that may damage the finish.
3. Excessive exposure to sunlight and extreme changes in temperature and moisture can damage wood furniture.
4. Do not place hot appliances, such as curling irons and hot hair dryers directly on the countertop. Wipe spills immediately.

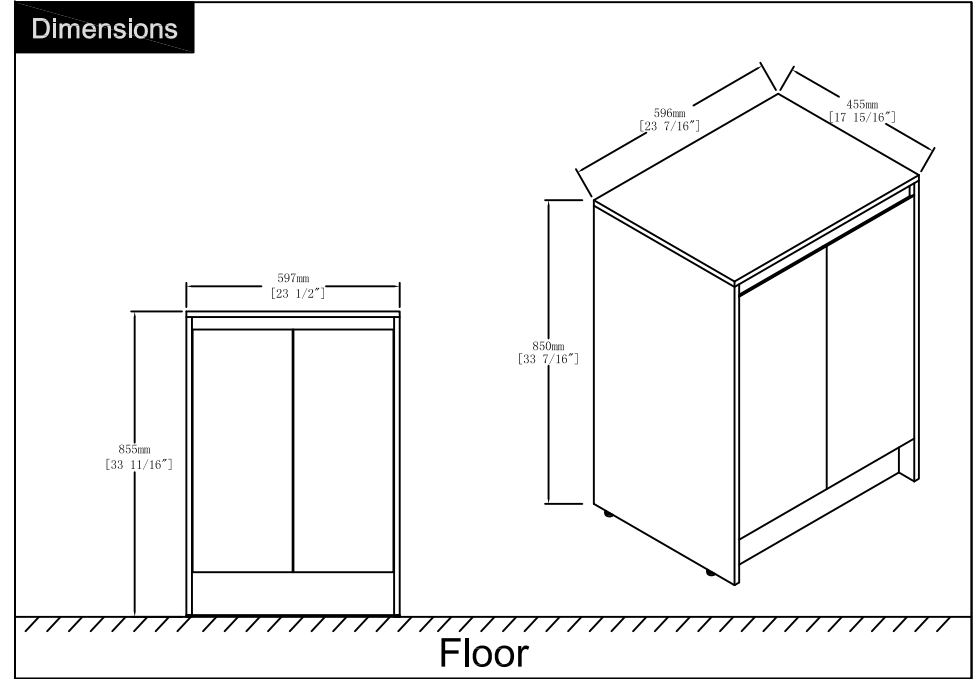
### Step 13



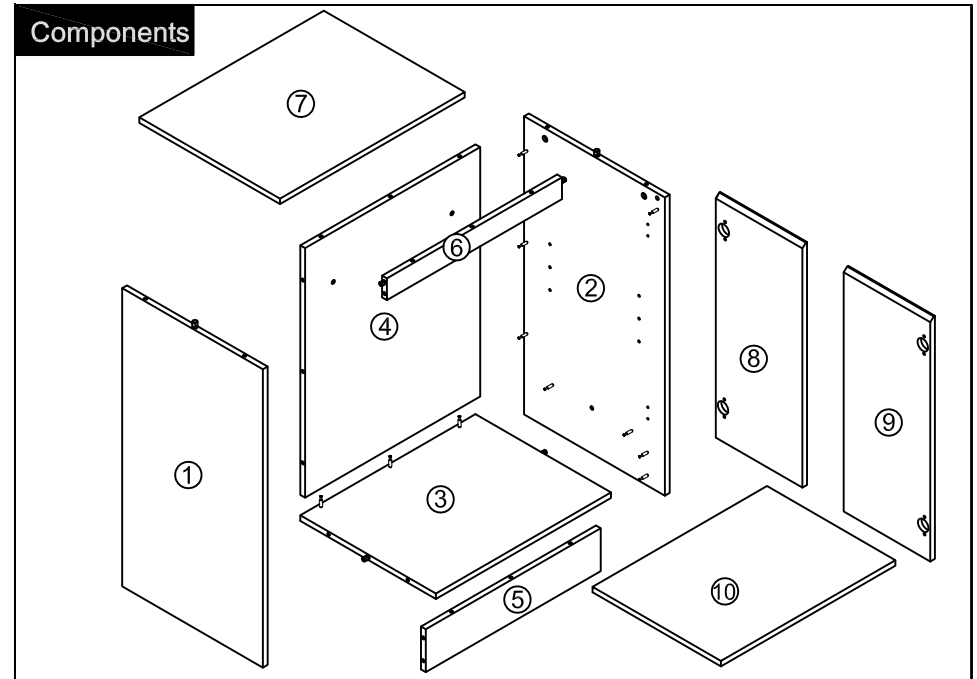
### Finished

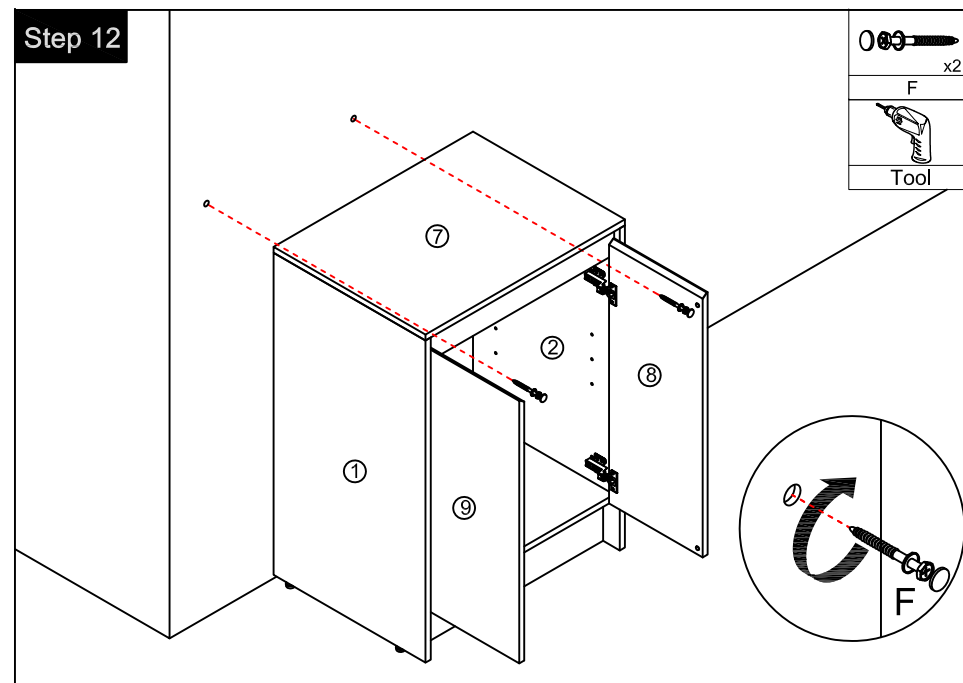
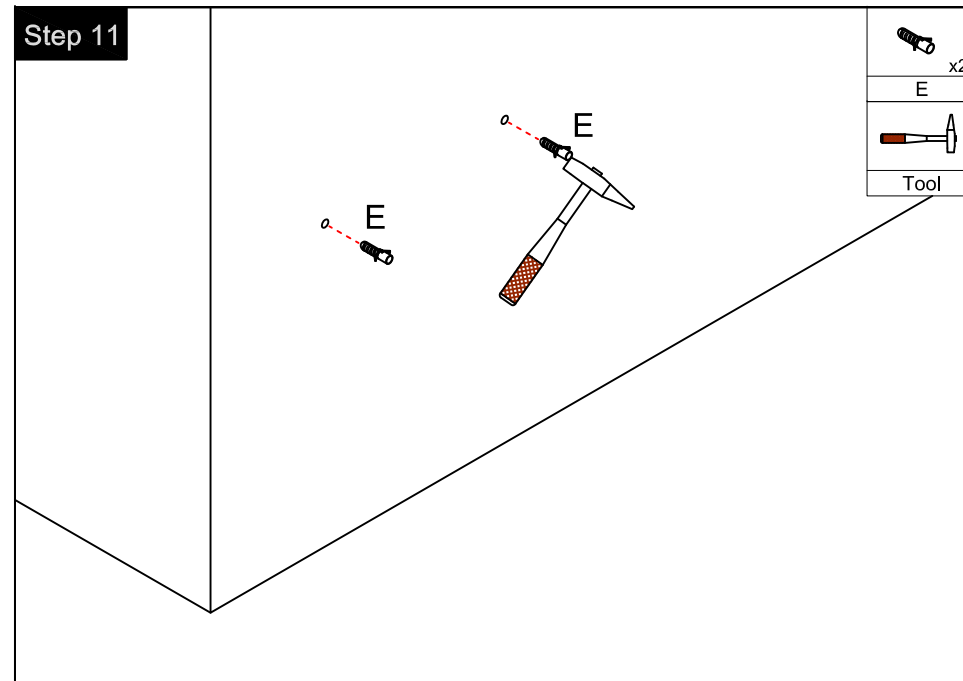
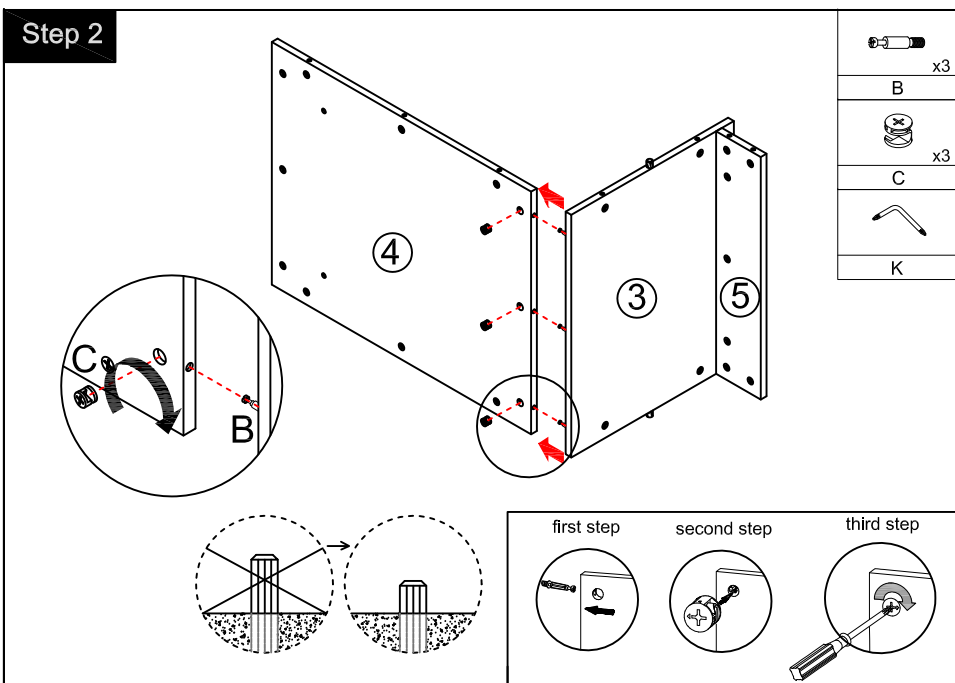
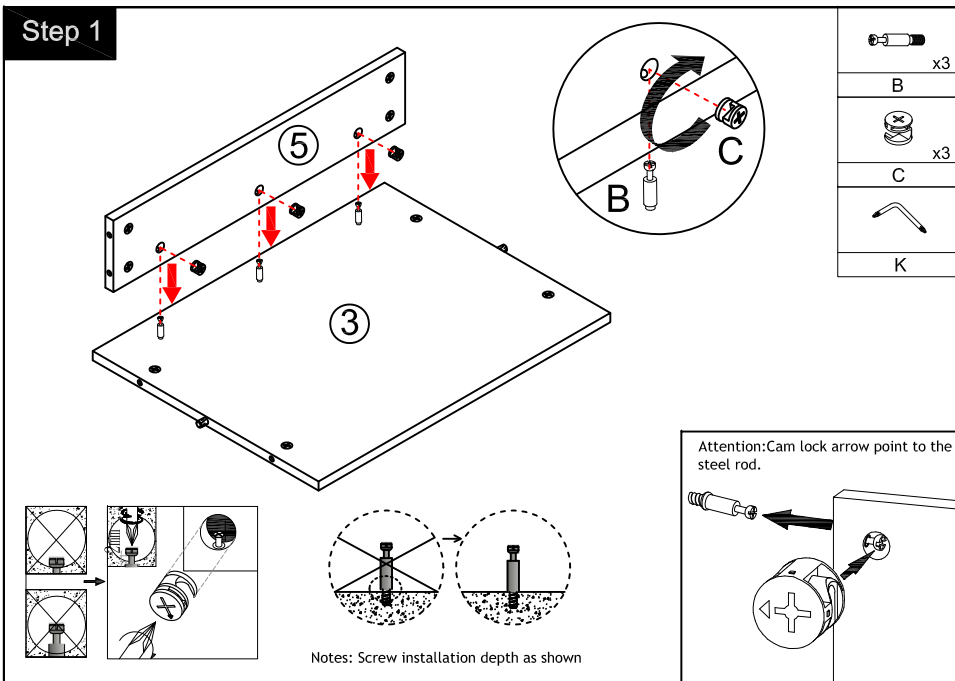


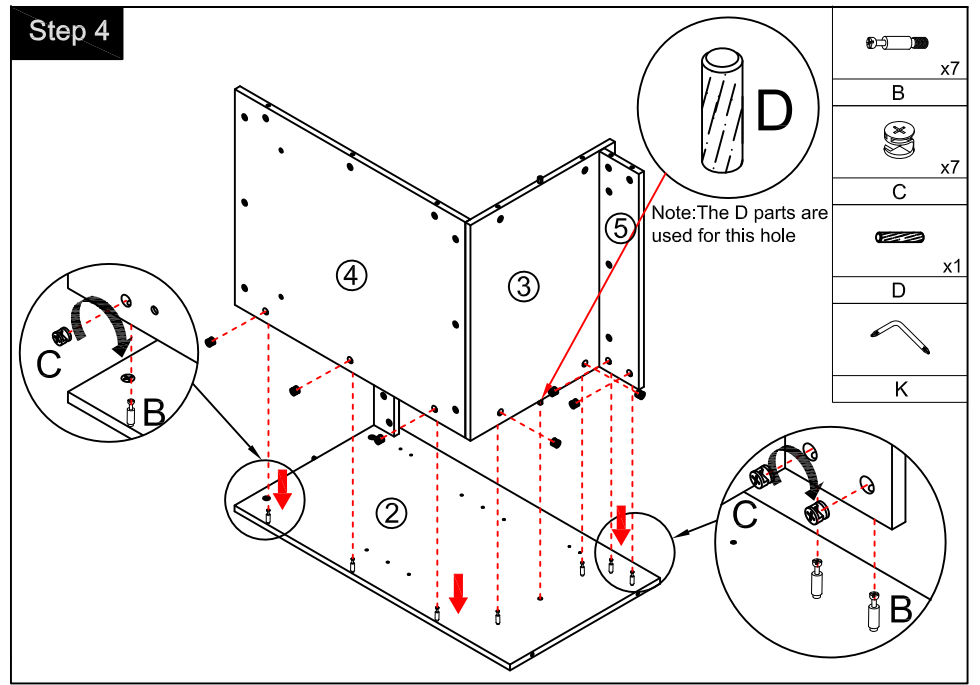
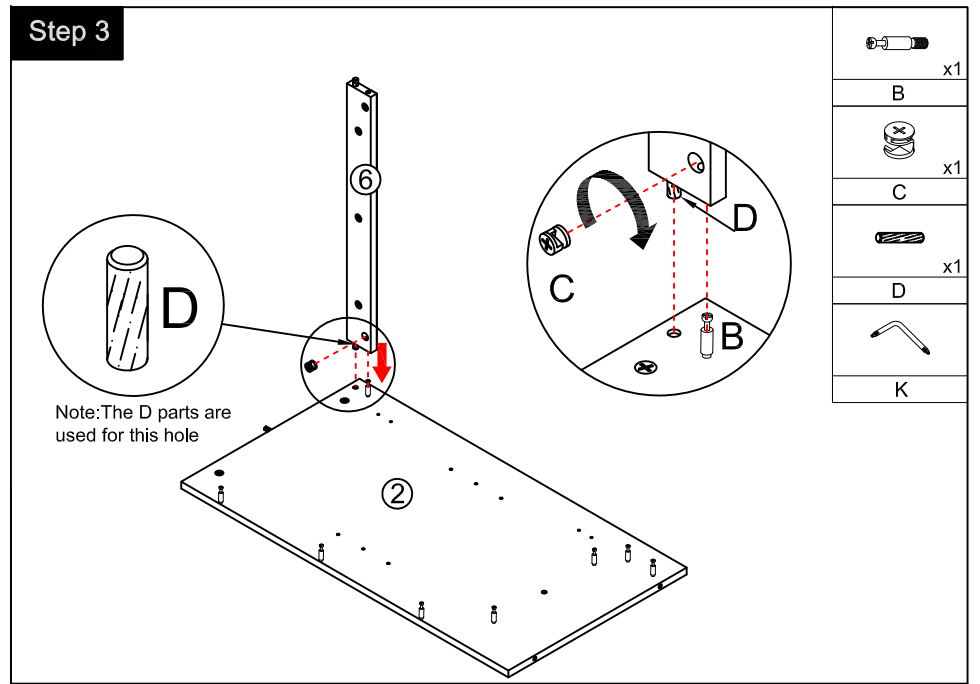
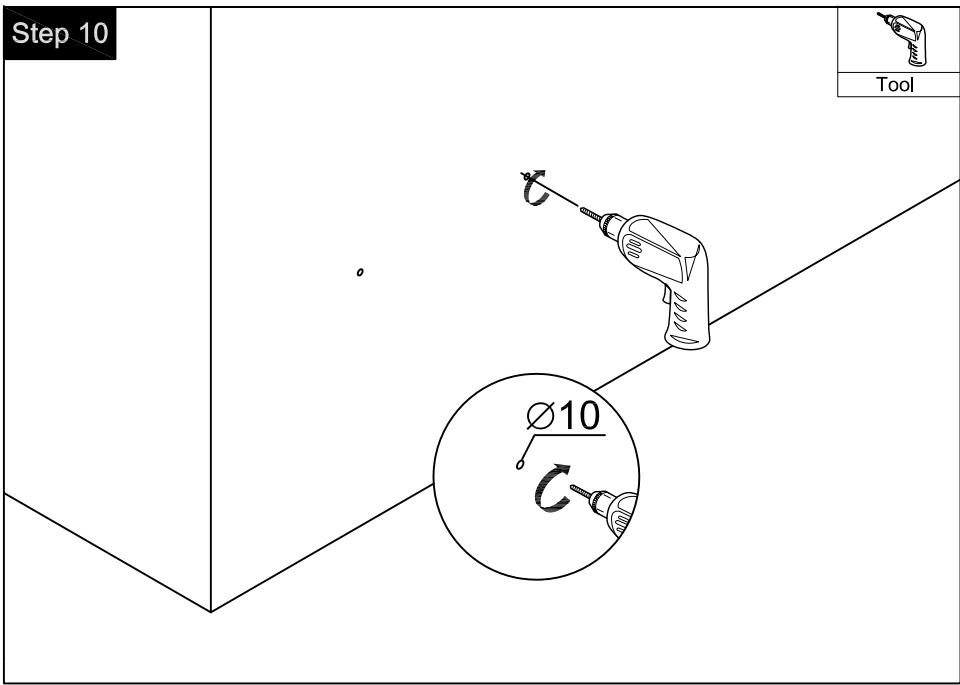
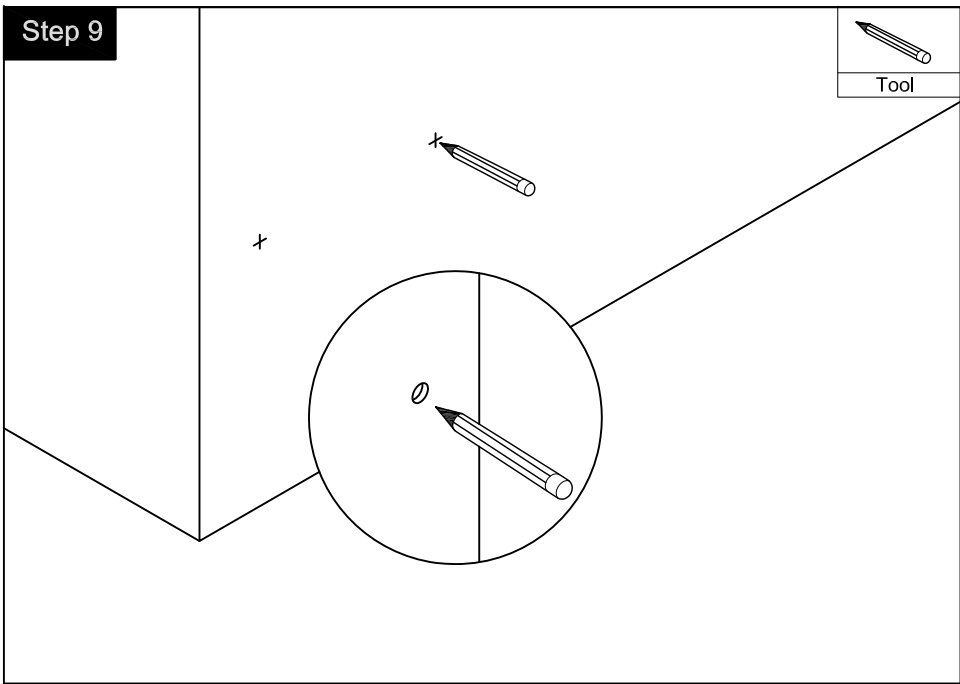
### Dimensions



### Components







### Step 5

Note: The D parts are used for these two holes

- 1 x8
- B x8
- C x2
- D x2
- K

### Step 6

Note: The D parts are used for these two holes

- 1 x10
- B x10
- C x2
- D x2
- K

### Step 7

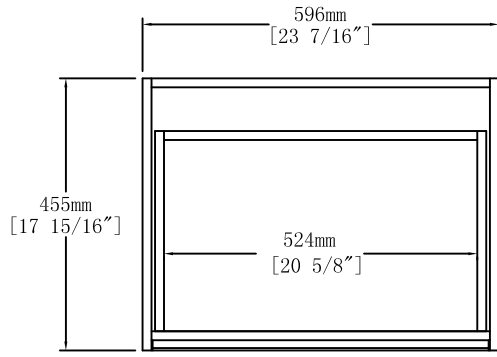
You can adjust the doors by tightening or loosening the screws on the hinge.

- 1 x4
- G (∅4 x 14mm) x24
- A x24
- Tool

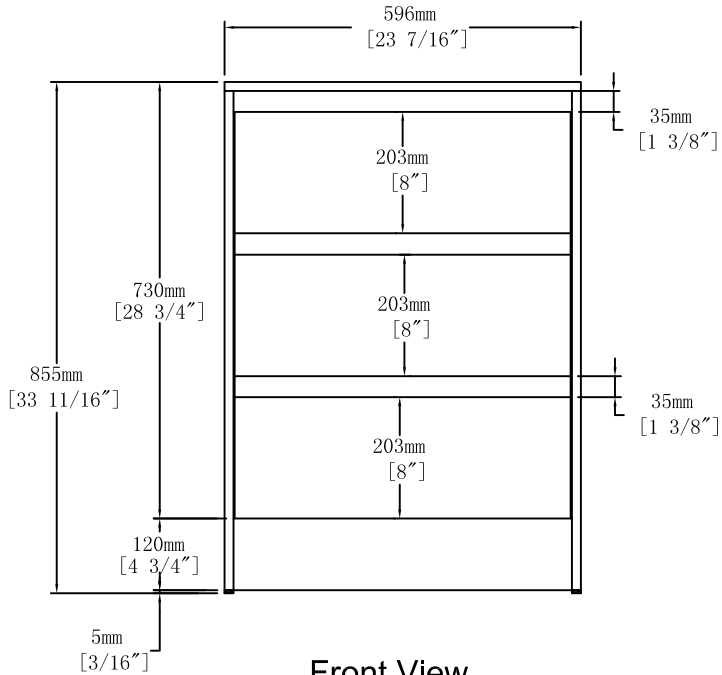
### Step 8

Note: The D parts are used for these two holes

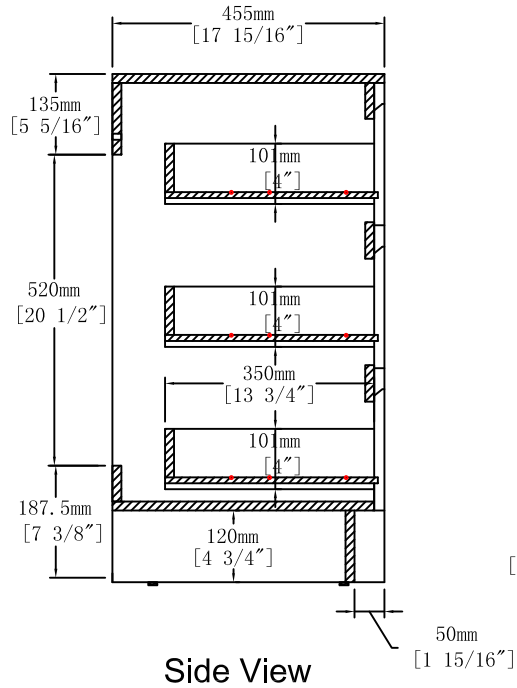
- 1 x4
- J x4
- H x4



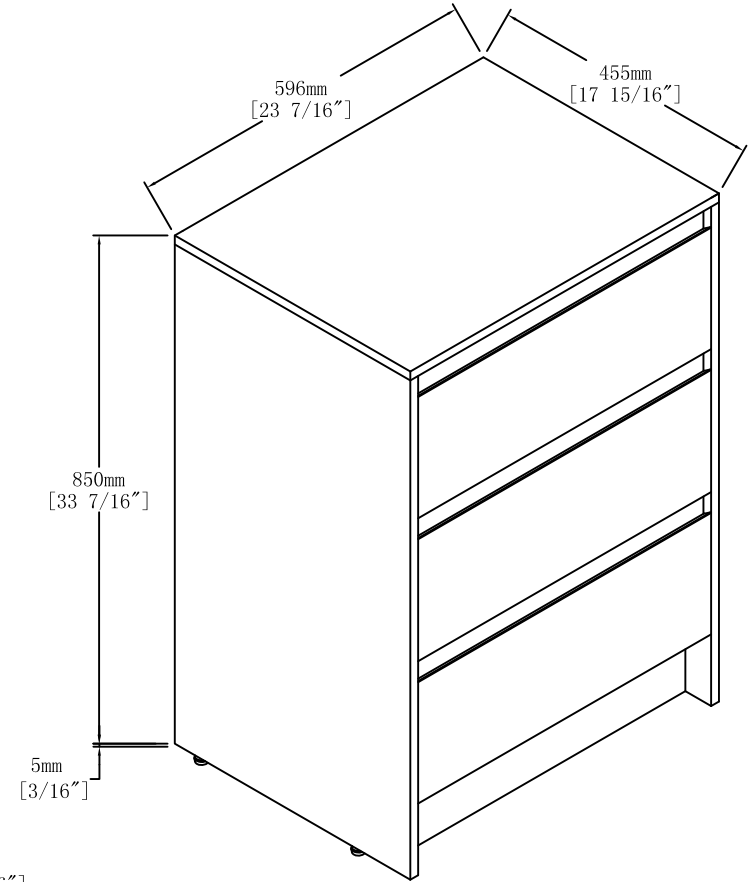
Top View



Front View



Side View

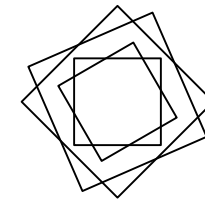
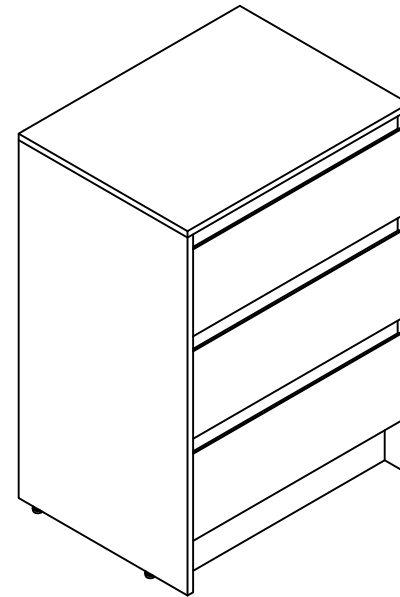


Installation Manual-BV B120 E24B

MOTIVATE  
YOUR LIFE !

## THANKS FOR WATCHING

Your feedback is invaluable to us and we would love to hear about your experience. Please take the time to leave us a review.



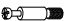


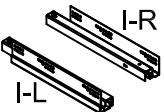



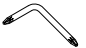
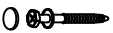


## Thank you for shopping with us!

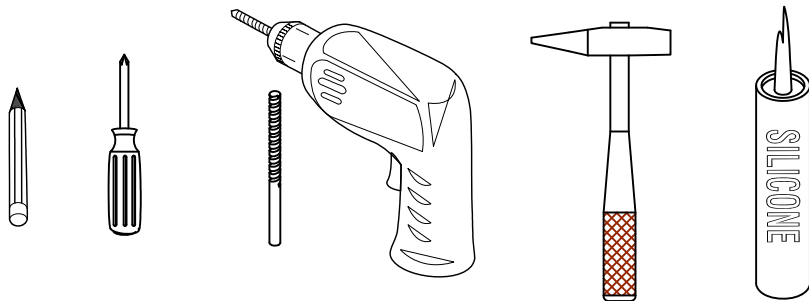
We encourage you to take a few minutes to go through this booklet. It contains important information on installation and care tips to keep your furniture looking as good as new.

# Item NO.:BV B120 E24B

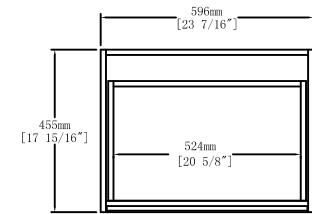
## Hardware

NO.	Draw	QTY	NO.	Draw	QTY
A	 Screws Ø4x14mm	30	G	 Screws Ø4x20mm	12
B	 Two-in-one connector	64	H	 Adjustable feet	4
C	 Two-in-one connector	64	I	 Track	3
D	 Wood plug	8	J	 Anti-collision gasket	12
E	 Plastic anchor(Ø10mm)	2	K	 Screwdriver	1
F	 Screws for fix on the wall	2			

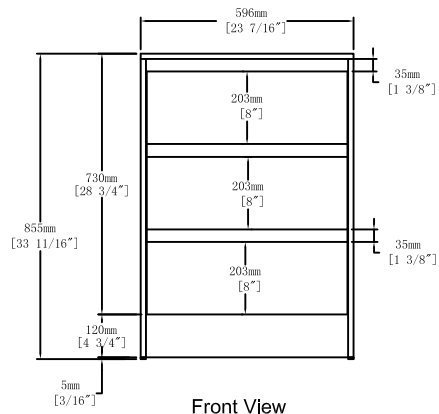
## Recommended tools



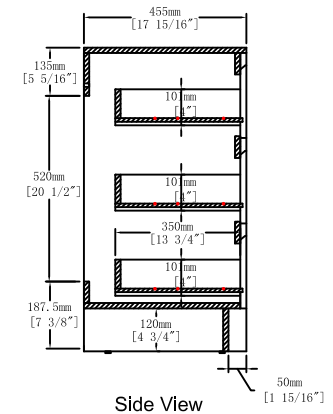
## Dimensions



Top View



Front View

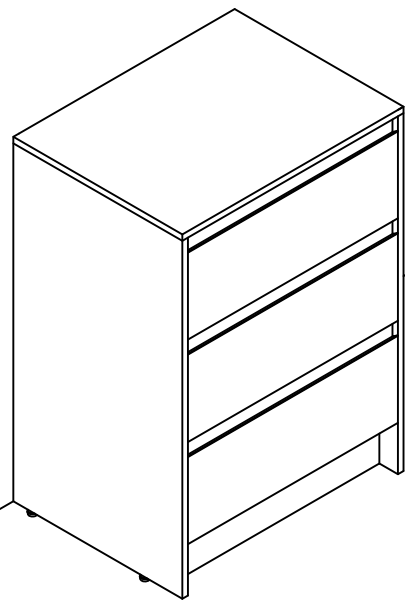


Side View

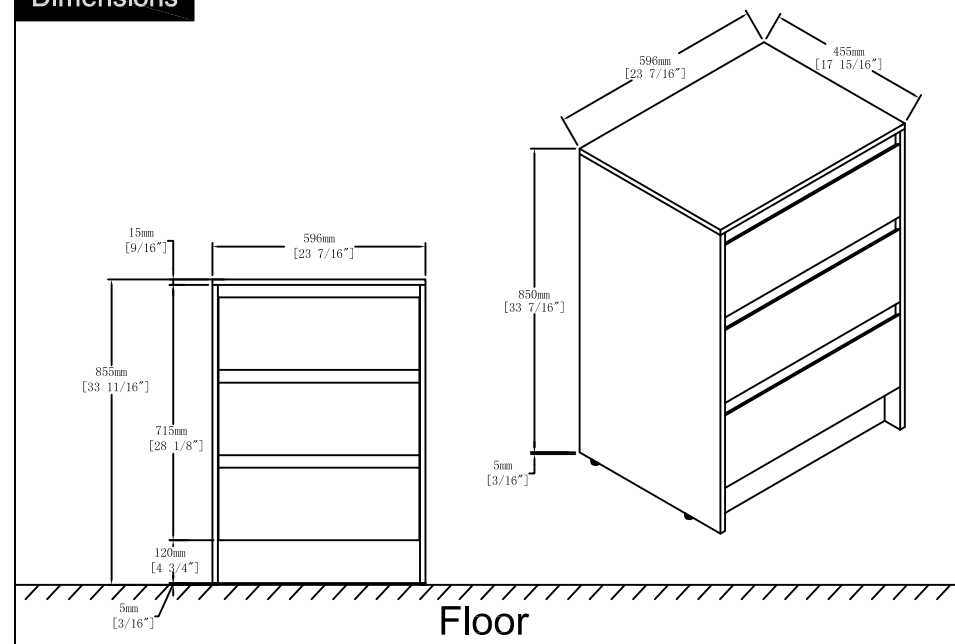
## CARE CLEANING AND MAINTENANCE

1. Dust regularly with a soft , dry cloth.
2. Avoid the use of all chemicals household cleaners, abrasives, or cleaners that contain lemon, vinegar, or other acids that may damage the finish.
3. Excessive exposure to sunlight and extreme changes in temperature and moisture can damage wood furniture.
4. Do not place hot appliances, such as curling irons and hot hair dryers directly on the countertop. Wipe spills immediately.

# Finished

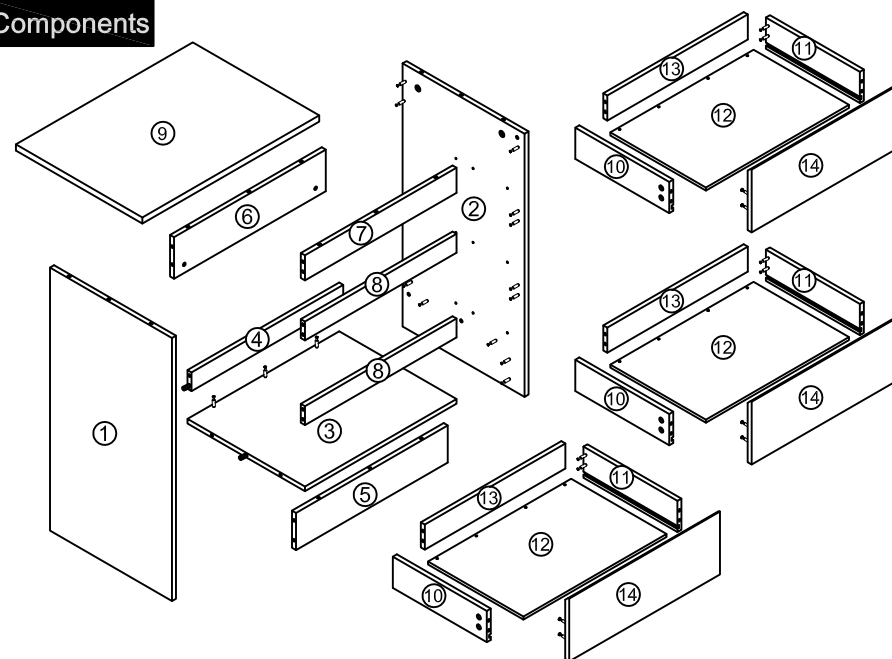


# Dimensions



Floor

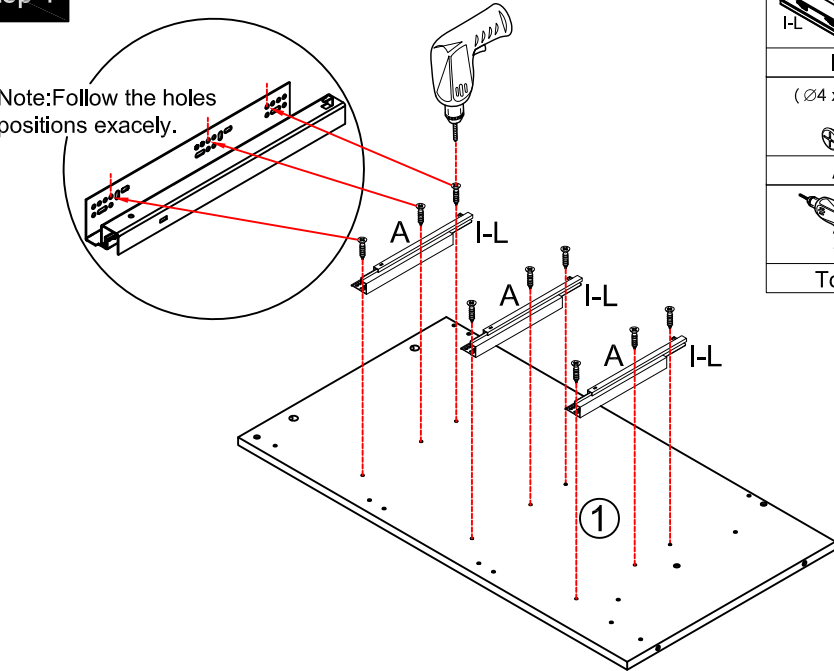
# Components



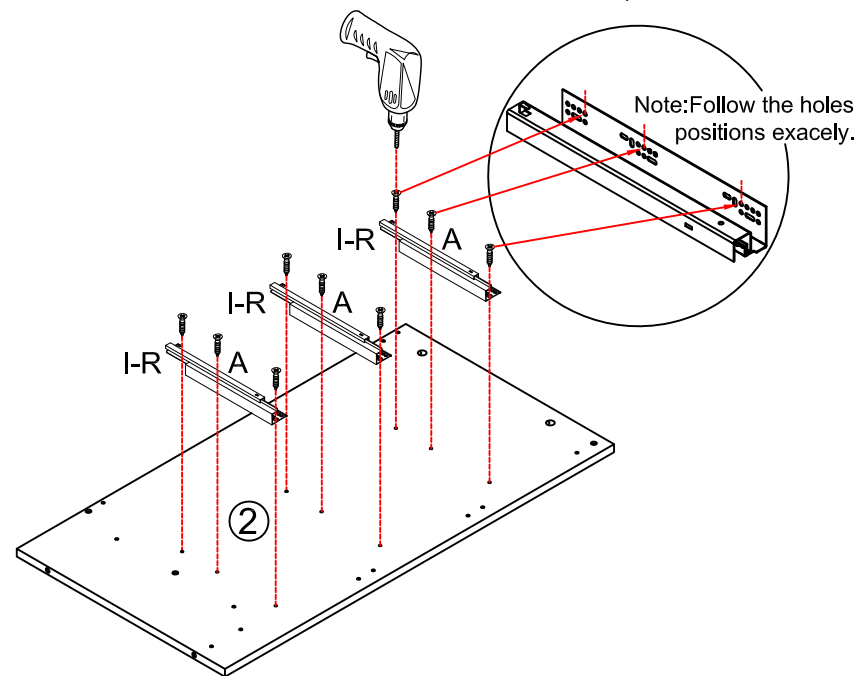
### Step 1

Note: Follow the holes positions exactly.

I-R	x3
I	(∅4 x 14mm)
A	x18
Tool	

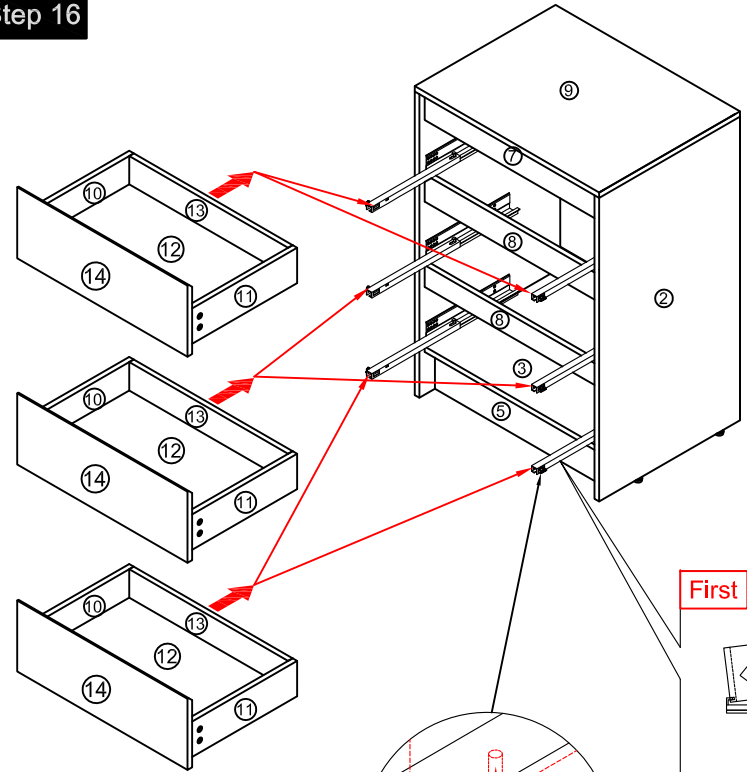


Note: Follow the holes positions exactly.

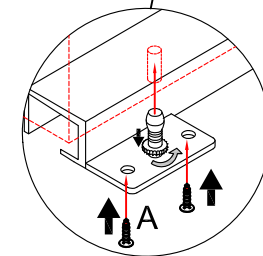
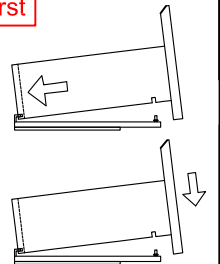


### Step 16

(∅4 x 14mm)	x12
A	
Tool	

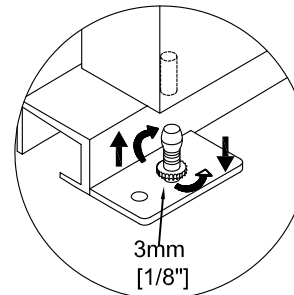
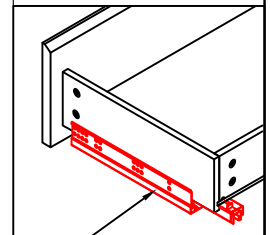


First





Third step: The bottom of the rail is fixed with screw A.

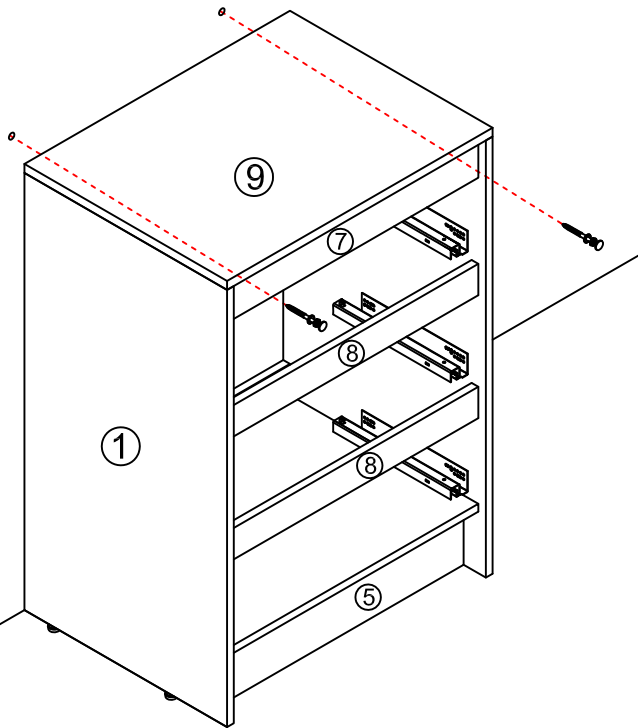
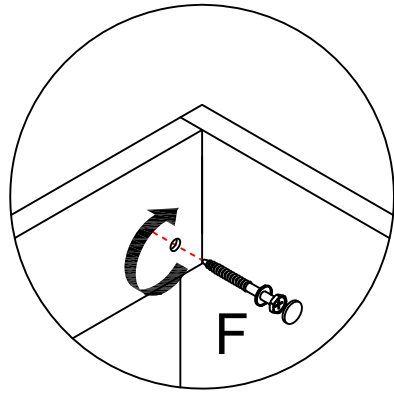
Second step: Tuck the rear holes.



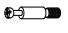

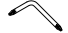
Note: The rails adjust their height 3mm.

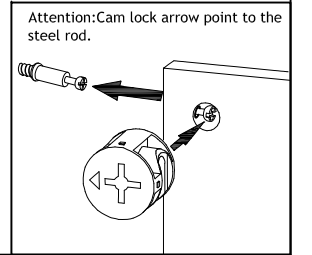
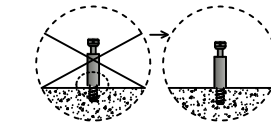
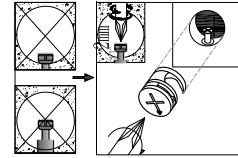
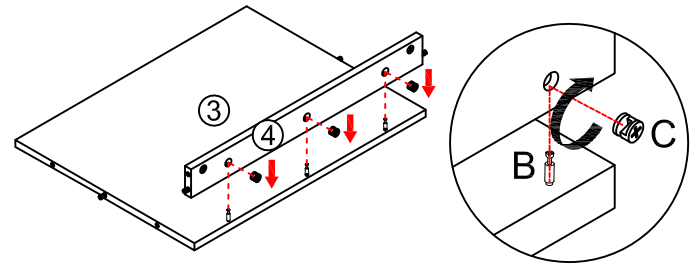
# Step 15

-  x2
- F
- 
- Tool






# Step 2

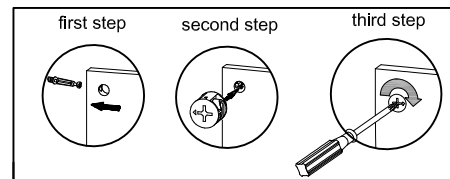
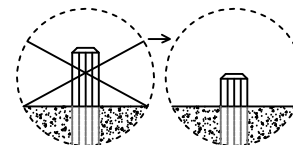
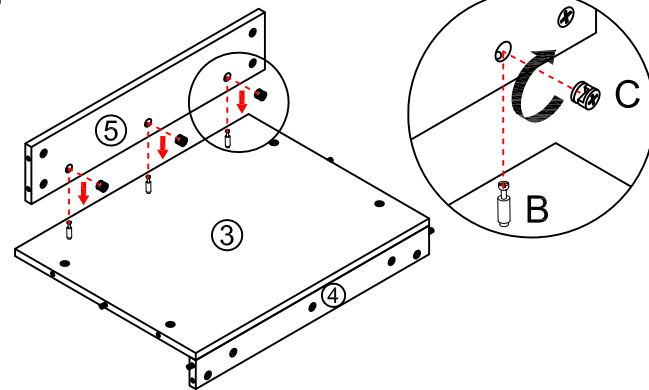
-  x3
- B
-  x3
- C
- 
- K



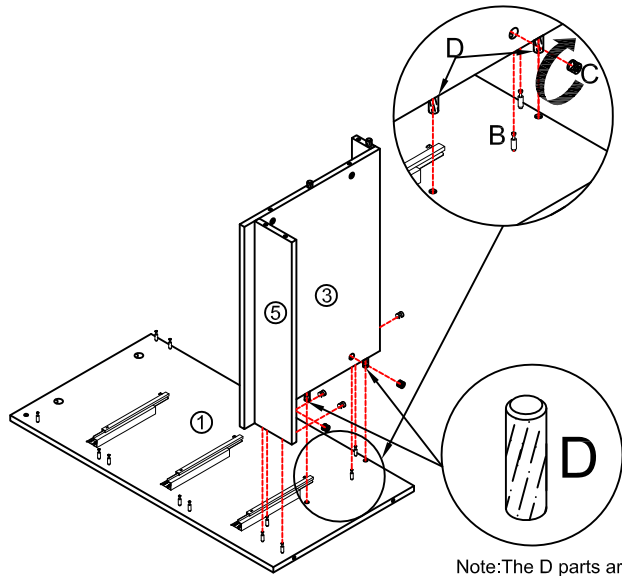
Notes: Screw installation depth as shown

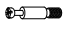



# Step 3

-  x3
- B
-  x3
- C
- 
- K



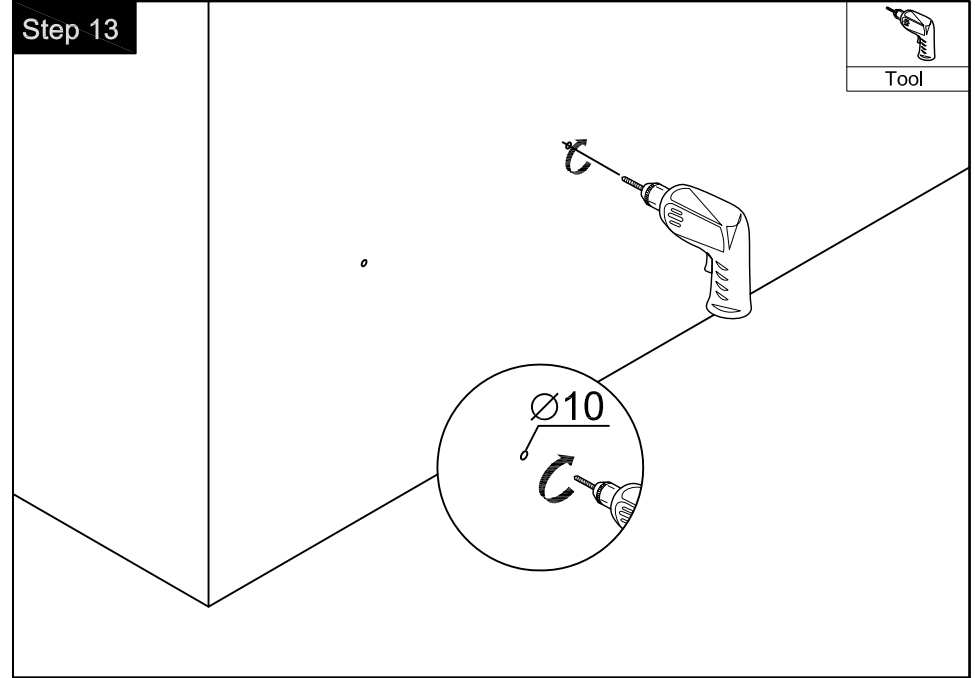
Step 4




-  x5
-  x5
-  x2
- 

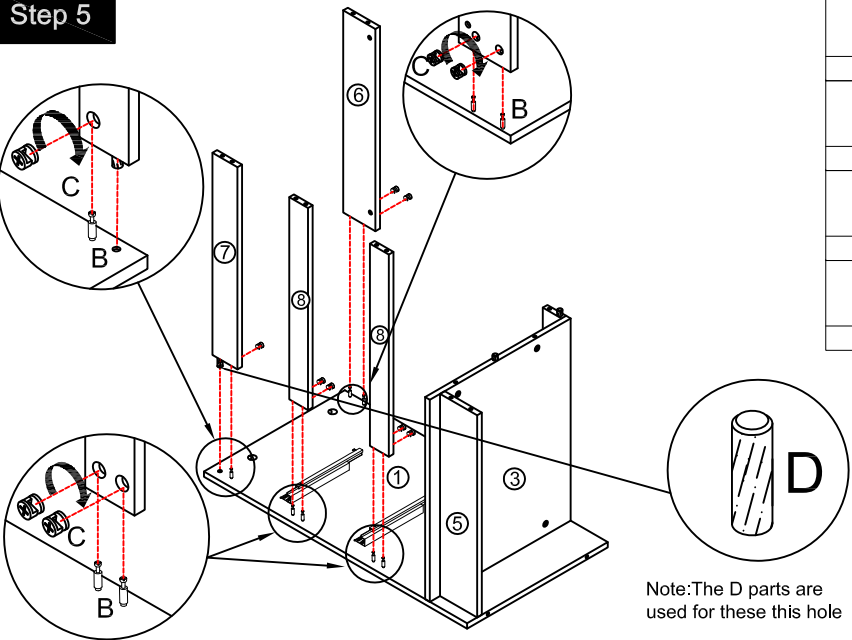
Note: The D parts are used for these two holes

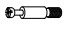


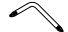
Step 13



- 
- Tool

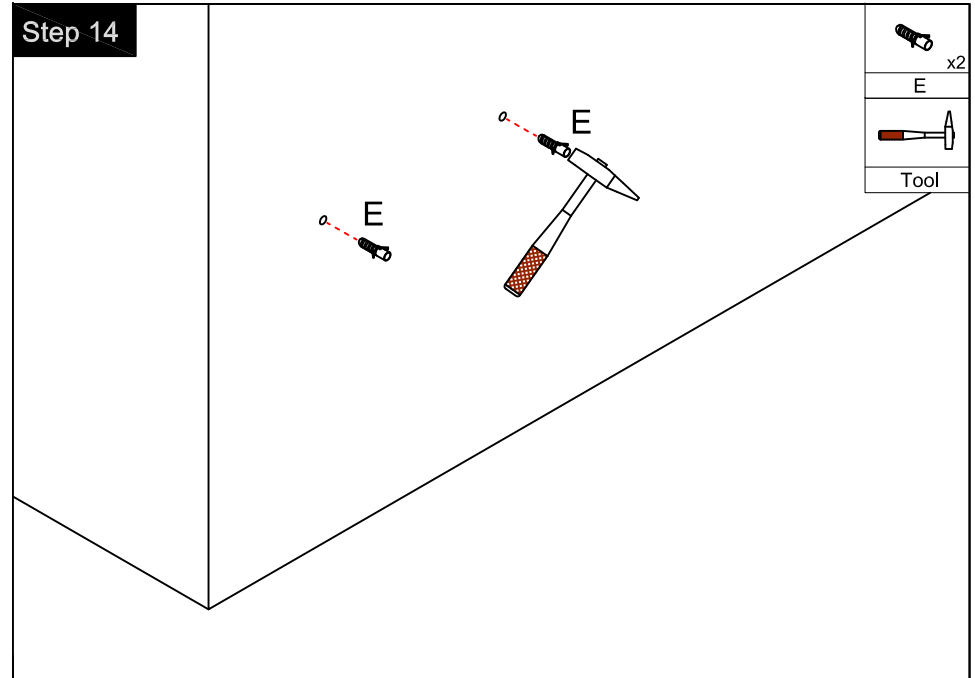
Step 5





-  x7
-  x7
-  x1
- 

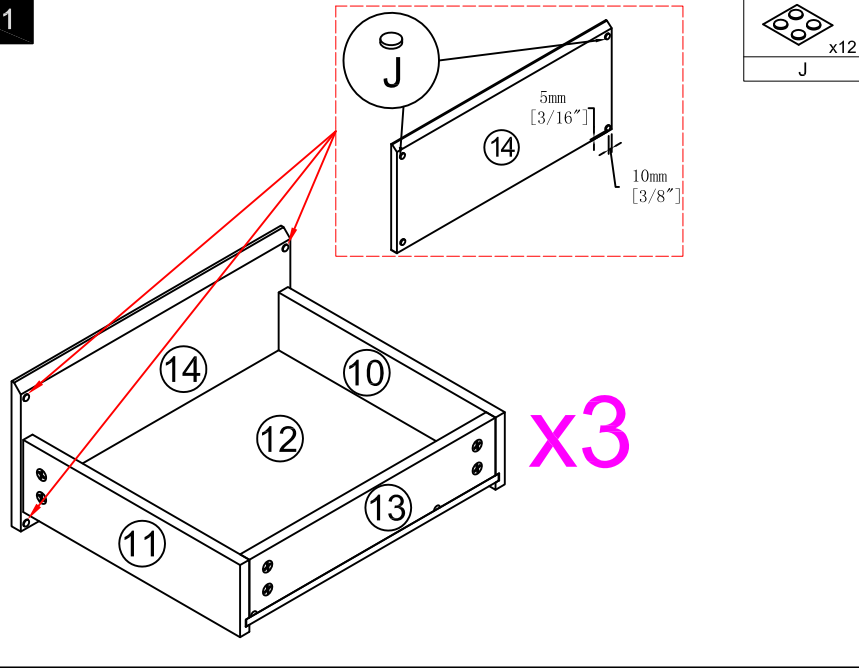
Note: The D parts are used for these this hole

Step 14

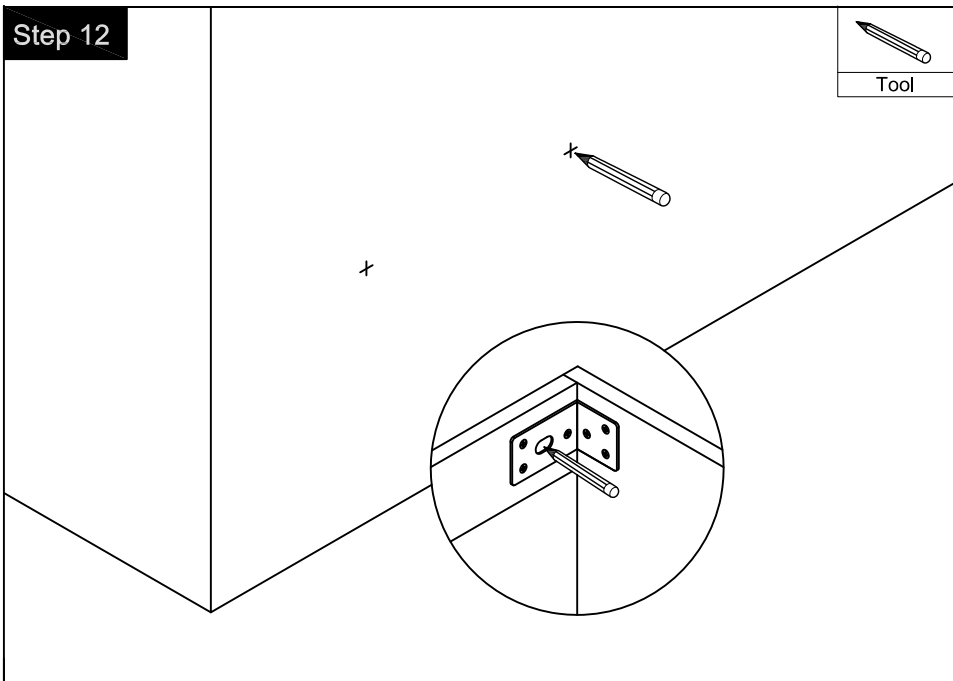


-  x2
- 
- Tool

Step 11



Step 12



Step 6

