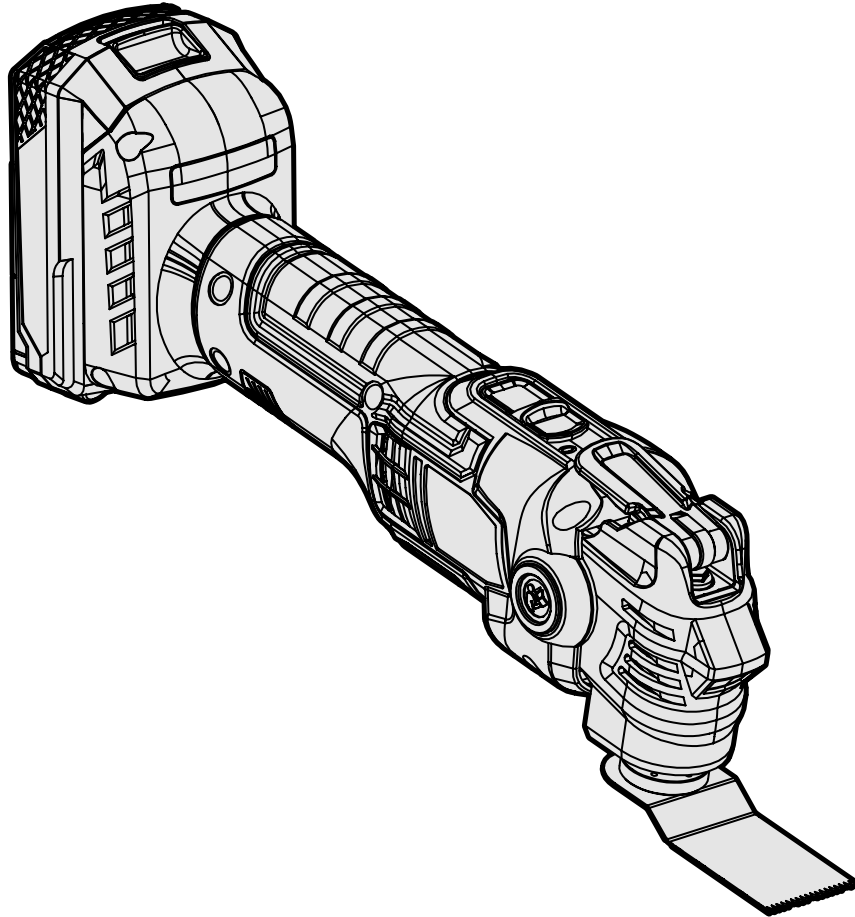




MODEL 20936, 20936BT

20V MAX BRUSHLESS OSCILLATING TOOL

Instruction Manual



NEED HELP? CONTACT US!

Have product questions? Need technical support? Please feel free to contact us:



1-847-429-9263 (M-F 8AM-5PM CST)



TECHSUPPORT@WENPRODUCTS.COM

IMPORTANT: Your new tool has been engineered and manufactured to WEN's highest standards for dependability, ease of operation, and operator safety. When properly cared for, this product will supply you years of rugged, trouble-free performance. Pay close attention to the rules for safe operation, warnings, and cautions. If you use your tool properly and for its intended purpose, you will enjoy years of safe, reliable service.

For replacement parts and the most up-to-date instruction manuals, visit ***WENPRODUCTS.COM***

CONTENTS

WELCOME	3
Introduction	3
Specifications.....	3
SAFETY	4
General Safety Rules.....	4
Oscillating Multi-Tool Safety Warnings	6
Electrical Information (Charger).....	8
Battery & Charger Safety Warnings	9
BEFORE OPERATING	11
Unpacking & Packing List.....	11
Know Your Oscillating Multi-Tool.....	12
Assembly & Adjustments.....	13
OPERATION & MAINTENANCE	15
Operation	15
Maintenance.....	17
Troubleshooting Guide.....	17
Exploded View & Parts List.....	18
Warranty Statement.....	20

To purchase accessories and replacement parts for your tool, visit **WENPRODUCTS.COM**

20V 2.0Ah Max Battery (Model 20202, 20202B)

20V 4.0Ah Max Battery (Model 20204, 20204B)

20V 5.0Ah Max Battery (Model 20205)

20V 8.0Ah Max Battery (Model 20208)

20V 2A Charger (Model 20200C)

20V 2A Dual Port Charger (Model 20200D)

20V 5A Quick Charger (Model 20201Q)




Oscillating Tool Accessories (Models MTB008, MTB014, MTB020, MTB031, MTB050, MTB206, & MTB345)

WEN plans to continue to add more items to our 20V line. For an up-to-date list of the 20V cordless tools compatible with the included battery and charger, visit **wenproducts.com**.

INTRODUCTION

Thanks for purchasing the WEN Cordless Oscillating Multi-Tool. We know you are excited to put your tool to work, but first, please take a moment to read through the manual. Safe operation of this tool requires that you read and understand this operator's manual and all the labels affixed to the tool. This manual provides information regarding potential safety concerns, as well as helpful assembly and operating instructions for your tool.

 Indicates danger, warning, or caution. The safety symbols and the explanations with them deserve your careful attention and understanding. Always follow the safety precautions to reduce the risk of fire, electric shock or personal injury. However, please note that these instructions and warnings are not substitutes for proper accident prevention measures.

NOTE: The following safety information is not meant to cover all possible conditions and situations that may occur. WEN reserves the right to change this product and specifications at any time without prior notice.

At WEN, we are continuously improving our products. If you find that your tool does not exactly match this manual, please visit wenproducts.com for the most up-to-date manual or contact our customer service at **1-847-429-9263**.

Keep this manual available to all users during the entire life of the tool and review it frequently to maximize safety for both yourself and others.

SPECIFICATIONS

Model Number	20936, 20936BT
Included Battery	2.0Ah Battery (Model 20202)
Included Charger	20V, 2A DC (Model 20200C)
Speed	5000-19000 OPM
Oscillating Angle	3.5 Degrees
Product Weight (Without Battery)	2.13 lbs
Product Dimensions (Without Battery)	11.5 in. L x 2.69 in. W x 3.75 in. H
Accessories	Wood Blade (1)
	Scraper (1)
	Sanding Pad (1)
	60-Grit Sandpaper (1)
	80-Grit Sandpaper (1)
** Battery Models	** All WEN 20V MAX Batteries
Charger Models	All WEN 20V MAX Chargers

***NOTE:** Battery and charger only included with model 20936. Model 20936BT does not include a battery or charger.

****NOTE:** Some tools may not be compatible with WEN 20V MAX 1.5Ah Batteries, model 49120B. Contact WEN customer service at **1-847-429-9263**, M-F with questions.

GENERAL SAFETY RULES

⚠ WARNING! Read all safety warnings and all instructions. Failure to follow the warnings and instructions may result in electric shock, fire and/or serious injury.

Safety is a combination of common sense, staying alert and knowing how your item works. The term “power tool” in the warnings refers to your mains-operated (corded) power tool or battery-operated (cordless) power tool.

SAVE THESE SAFETY INSTRUCTIONS.

WORK AREA SAFETY

- 1. Keep work area clean and well lit.** Cluttered or dark areas invite accidents.
- 2. Do not operate power tools in explosive atmospheres, such as in the presence of flammable liquids, gases or dust.** Power tools create sparks which may ignite the dust or fumes.
- 3. Keep children and bystanders away while operating a power tool.** Distractions can cause you to lose control.

ELECTRICAL SAFETY

- 1. Power tool plugs must match the outlet. Never modify the plug in any way. Do not use any adapter plugs with earthed (grounded) power tools.** Unmodified plugs and matching outlets will reduce risk of electric shock.
- 2. Avoid body contact with earthed or grounded surfaces such as pipes, radiators, ranges and refrigerators.** There is an increased risk of electric shock if your body is earthed or grounded.
- 3. Do not expose power tools to rain or wet conditions.** Water entering a power tool will increase the risk of electric shock.
- 4. Do not abuse the cord. Never use the cord for carrying, pulling or unplugging the power tool. Keep cord away from heat, oil, sharp edges or moving parts.** Damaged or entangled cords increase the risk of electric shock.
- 5. When operating a power tool outdoors, use an extension cord suitable for outdoor use.** Use of a cord suitable for outdoor use reduces the risk of electric shock.

6. If operating a power tool in a damp location is unavoidable, use a ground fault circuit interrupter (GFCI) protected supply. Use of a GFCI reduces the risk of electric shock.

PERSONAL SAFETY

- 1. Stay alert, watch what you are doing and use common sense when operating a power tool. Do not use a power tool while you are tired or under the influence of drugs, alcohol or medication.** A moment of inattention while operating power tools may result in serious personal injury.
- 2. Use personal protective equipment. Always wear eye protection.** Protective equipment such as a respiratory mask, non-skid safety shoes and hearing protection used for appropriate conditions will reduce the risk of personal injury.
- 3. Prevent unintentional starting. Ensure the switch is in the off-position before connecting to power source and/or battery pack, picking up or carrying the tool.** Carrying power tools with your finger on the switch or energizing power tools that have the switch on invites accidents.
- 4. Remove any adjusting key or wrench before turning the power tool on.** A wrench or a key left attached to a rotating part of the power tool may result in personal injury.
- 5. Do not overreach. Keep proper footing and balance at all times.** This enables better control of the power tool in unexpected situations.
- 6. Dress properly. Do not wear loose clothing or jewelry. Keep your hair and clothing away from moving parts.** Loose clothes, jewelry or long hair can be caught in moving parts.

GENERAL SAFETY RULES

 **WARNING!** Read all safety warnings and all instructions. Failure to follow the warnings and instructions may result in electric shock, fire and/or serious injury.

Safety is a combination of common sense, staying alert and knowing how your item works. The term “power tool” in the warnings refers to your mains-operated (corded) power tool or battery-operated (cordless) power tool.

SAVE THESE SAFETY INSTRUCTIONS.

7. If devices are provided for the connection of dust extraction and collection facilities, ensure these are connected and properly used. Use of dust collection can reduce dust-related hazards.

POWER TOOL USE AND CARE

1. Do not force the power tool. Use the correct power tool for your application. The correct power tool will do the job better and safer at the rate for which it was designed.

2. Do not use the power tool if the switch does not turn it on and off. Any power tool that cannot be controlled with the switch is dangerous and must be repaired.

3. Disconnect the plug from the power source and/or the battery pack from the power tool before making any adjustments, changing accessories, or storing power tools. Such preventive safety measures reduce the risk of starting the power tool accidentally.

4. Store idle power tools out of the reach of children and do not allow persons unfamiliar with the power tool or these instructions to operate the power tool. Power tools are dangerous in the hands of untrained users.

5. Maintain power tools. Check for misalignment or binding of moving parts, breakage of parts and any other condition that may affect the power tool’s operation. If damaged, have the power tool repaired before use. Many accidents are caused by poorly maintained power tools.

6. Keep cutting tools sharp and clean. Properly maintained cutting tools with sharp cutting edges are less likely to bind and are easier to control.

7. Use the power tool, accessories and tool bits, etc. in accordance with these instructions, taking into account the working conditions and the work to be performed. Use of the power tool for operations different from those intended could result in a hazardous situation.

8. Use clamps to secure your workpiece to a stable surface. Holding a workpiece by hand or using your body to support it may lead to loss of control.

9. KEEP GUARDS IN PLACE and in working order.

SERVICE

1. Have your power tool serviced by a qualified repair person using only identical replacement parts. This will ensure that the safety of the power tool is maintained.


CALIFORNIA PROPOSITION 65 WARNING

Some dust created by power sanding, sawing, grinding, drilling, and other construction activities may contain chemicals, including lead, known to the State of California to cause cancer, birth defects, or other reproductive harm. Wash hands after handling. Some examples of these chemicals are:

- Lead from lead-based paints.
- Crystalline silica from bricks, cement, and other masonry products.
- Arsenic and chromium from chemically treated lumber.

Your risk from these exposures varies depending on how often you do this type of work. To reduce your exposure to these chemicals, work in a well-ventilated area with approved safety equipment such as dust masks specially designed to filter out microscopic particles.


OSCILLATING MULTI-TOOL SAFETY WARNINGS

 **WARNING!** Do not let comfort or familiarity with the product replace strict adherence to product safety rules. Failure to follow the safety instructions may result in serious personal injury.

OSCILLATING MULTI-TOOL SAFETY

1. Hold your power tool by the insulated gripping surfaces, especially when performing an operation where the accessory could contact hidden wiring.
2. Protect your lungs. Wear a face or dust mask during operation. Following this rule will reduce the risk of serious respiratory injury.
3. Protect your hearing. Wear hearing protection during extended periods of operation. Following this rule will reduce the risk of serious personal injury.
4. Check damaged parts. Before further use of the tool, determine that it will operate properly and perform its intended function. Check for alignment, binding, or breakage of moving parts or any other conditions that may affect its operation. A guard or other part that is damaged should be properly repaired or replaced by an authorized service center. Following this rule will reduce the risk of shock, fire, or serious injury.
5. Be aware of any nails that may be embedded in the workpiece. Hitting a nail may change the direction of the oscillating tool and potentially cause injury. Maintain safe control of the oscillating tool at all times.
6. Do not use the oscillating multi-tool to remove lead-based paints.
7. Maintain labels and nameplates on the power tool. These carry important safety information.
8. Avoid accidental injury. Keep hands and fingers safely away from the oscillating accessory when operating the tool.
9. Avoid unintentional starting. Prepare to begin work before turning on the power tool.
10. Do not lay the power tool down until it has come to a complete stop. Moving parts can grab the surface and pull the tool out of your control.
11. When using a handheld power tool, maintain a firm grip on the tool with both hands to resist starting torque.
12. Do not leave the power tool unattended when the battery is installed. Turn the tool OFF and remove the battery before leaving.
13. This product is not a toy. Keep it out of reach of children.
14. People with pacemakers should consult their physician(s) before use. Electromagnetic fields in close proximity to heart pacemaker could cause pacemaker interference or pacemaker failure. In addition, people with pacemakers should:
 - a. Avoid operating alone.
 - b. Do not use with power switch locked on.
 - c. Properly maintain and inspect to avoid electrical shock.
 - d. Any power cord must be properly grounded. Ground Fault Circuit Interrupter (GFCI) should also be implemented to prevent sustained electrical shock.
15. Some dust created by power sanding, sawing, grinding, drilling, and other construction activities, contains chemicals known to cause cancer, birth defects or other reproductive harm. Some examples of these chemicals are:
 - a. Lead from lead-based paints.
 - b. Crystalline silica from bricks and cement or other masonry products.
 - c. Arsenic and chromium from chemically treated lumber.Your risk from these exposures varies, depending on how often you do this type of work. To reduce your exposure to these chemicals: work in a well ventilated area, and work with approved safety equipment, such as those dust masks that are specially designed to filter out microscopic particles.

OSCILLATING MULTI-TOOL SAFETY WARNINGS

 **WARNING!** Do not let comfort or familiarity with the product replace strict adherence to product safety rules. Failure to follow the safety instructions may result in serious personal injury.

16. The warnings, precautions, and instructions discussed in this instruction manual cannot cover all possible conditions and situations that may occur. It must be understood by the operator that common sense and caution are factors which cannot be built into this product, but must be supplied by the operator.

WARNING: This product and the dust created by power sanding, sawing, grinding, drilling, and other construction activities may contain chemicals, including lead, known to the State of California to cause cancer, birth defects, or other reproductive harm. Wash hands after handling.

Some examples of these chemicals are:

- lead from lead-based paints.
- crystalline silica from bricks and cement and other masonry products .
- arsenic and chromium from chemically treated lumber.

Your risk from exposure to these chemicals varies, depending on how often you do this type of work. To reduce your exposure, work in a well-ventilated area and with approved safety equipment, such as dust masks that are specially designed to filter out microscopic particles.

20. Save these instructions. Refer to them frequently and use them to instruct others who may use this product. If you loan someone this product, loan them these instructions also.

VIBRATION SAFETY

This tool vibrates during use. Repeated or long-term exposure to vibration may cause temporary or permanent physical injury, particularly to the hands, arms and shoulders.

To reduce the risk of any vibration-related injury:

1. First be examined by a doctor and then have regular medical check-ups to ensure medical problems are not being caused or worsened from use. Pregnant women or people who have impaired blood circulation to the hand, past hand injuries, nervous system disorders, diabetes, or Raynaud's disease should not use this tool. If you feel any symptoms related to vibration (such as tingling, numbness, and white or blue fingers), seek medical advice as soon as possible.
2. Do not smoke during use. Nicotine reduces the blood supply to the hands and fingers, increasing the risk of vibration-related injury.
3. Wear suitable gloves to reduce the vibration effects on the user.
4. Use tools with the lowest vibration when there is a choice.
5. Take vibration-free breaks during each day of work.
6. Grip tool as lightly as possible (while still keeping safe control of it). Let the tool do the work.
7. To reduce vibration, maintain the tool as explained in this manual. If any abnormal vibration occurs, stop use immediately.

These safety instructions can't possibly warn of every scenario that may arise with this tool, so always make sure to stay alert and use common sense during operation.

ELECTRICAL INFORMATION (CHARGER)

DOUBLE-INSULATED CHARGER

The charger's electrical system is double-insulated where two systems of insulation are provided. This eliminates the need for the usual three-wire grounded power cord. Double-insulated tools do not need to be grounded, nor should a means for grounding be added to the product. All exposed metal parts are isolated from the internal metal components with protecting insulation.



IMPORTANT: Servicing a double-insulated product requires extreme care and knowledge of the system, and should be done only by qualified service personnel using identical replacement parts. Always use original factory replacement parts when servicing.

1. Polarized Plugs. To reduce the risk of electric shock, this equipment has a polarized plug (one blade is wider than the other). This plug will fit in a polarized outlet only one way. If the plug does not fit fully in the outlet, reverse the plug. If it still does not fit, contact a qualified electrician to install a proper outlet. Do not modify the machine plug or the extension cord in any way.

2. Ground fault circuit interrupter protection (GFCI) should be provided on the circuit or outlet used for this power tool to reduce the risk of electric shock.

3. Service and repair. To avoid danger, electrical appliances must only be repaired by a qualified service technician using original replacement parts.

GUIDELINES AND RECOMMENDATIONS FOR EXTENSION CORDS

When using an extension cord, be sure to use one heavy enough to carry the current your product will draw. An undersized cord will cause a drop in line voltage, resulting in loss of power and overheating. The table below shows the correct size to be used according to cord length and ampere rating. When in doubt, use a heavier cord. The smaller the gauge number, the heavier the cord.

AMPERAGE	REQUIRED GAUGE FOR EXTENSION CORDS			
	25 ft.	50 ft.	100 ft.	150 ft.
2A	18 gauge	16 gauge	16 gauge	14 gauge

1. Examine extension cord before use. Make sure your extension cord is properly wired and in good condition. Always replace a damaged extension cord or have it repaired by a qualified person before using it.

2. Do not abuse extension cord. Do not pull on cord to disconnect from receptacle; always disconnect by pulling on plug. Disconnect the extension cord from the receptacle before disconnecting the product from the extension cord. Protect your extension cords from sharp objects, excessive heat and damp/wet areas.

3. Use a separate electrical circuit for your tool. This circuit must not be less than a 12-gauge wire and should be protected with a 15A time-delayed fuse. Before connecting the motor to the power line, make sure the switch is in the OFF position and the electric current is rated the same as the current stamped on the motor nameplate. Running at a lower voltage will damage the motor.

BATTERY & CHARGER SAFETY WARNINGS

Despite all of the safety precautions, caution must always be taken when handling batteries. The following points must be obeyed at all times to ensure safe use. Safe use can only be guaranteed if undamaged cells are used. Incorrect handling of the battery pack can cause cell damage.

- **Avoid dangerous environments** – Do not charge the battery pack in rain, snow or in damp or wet locations. Do not use the battery pack or charger in the presence of explosive atmospheres (gaseous fumes, dust or flammable materials) because sparks may be generated when inserting or removing the battery pack, which could lead to a fire.

- **Charge in a well-ventilated area** – Do not block the charger vents. Keep them clear to allow for proper ventilation. Do not allow smoking or open flames near a charging battery pack. Vented gases may explode.

NOTE: The safe temperature range for the battery charging is 41°F to 104°F. Do not charge the battery outside in freezing weather; charge it at room temperature.


- **Maintain charger cord** – When unplugging the charger, pull the plug, not the cord, from the receptacle to reduce the risk of damage to the electrical plug and cord. Never carry the charger by its cord or yank it by the cord to disconnect it from the receptacle. Keep the cord away from heat, oil and sharp edges. Make sure the cord will not be stepped on, tripped over or subjected to damage or stress when the charger is in use. Do not use the charger with a damaged cord or plug. Replace a damaged charger immediately.

- **Do not use an extension cord unless it is absolutely necessary** – Using the wrong, damaged or improperly wired extension cord poses a risk of fire and electric shock. If an extension cord must be used, plug the charger into a properly wired 16 gauge or larger extension cord with the female plug matching the male plug on the charger. Make sure that the extension cord is in good electrical condition.

- **Charger is rated for 120 volt AC only** – The charger must be plugged into an appropriate receptacle.

- **Use only recommended attachments** – Use of an attachment not recommended or sold by WEN Products may result in risk of fire, electric shock or personal injury.

- **Unplug charger when not in use** – Make sure to remove battery packs from unplugged chargers.

 **WARNING!** To reduce the risk of electric shock, always unplug the charger before performing any cleaning or maintenance. Do not allow water to flow into the charger. Use a Ground Fault Circuit Interrupter (GFCI) to reduce shock hazards.

- **Do not burn or incinerate battery packs** – Battery packs may explode, causing personal injury or damage. Toxic fumes and materials are created when battery packs are burned.

- **Do not crush, drop or damage battery packs** – Do not use the battery pack or charger if they have sustained a sharp blow, been dropped, run over or have been damaged in any way (i.e. pierced with a nail, hit with a hammer, stepped on, etc.).

- **Do not disassemble** – Incorrect reassembly may pose a serious risk of electric shock, fire or exposure to toxic battery chemicals. If the battery or charger are damaged, call WEN customer service at **1-847-429-9263** for assistance.

- **Battery chemicals cause serious burns** – Never let a damaged battery pack contact the skin, eyes or mouth. If a damaged battery pack leaks battery chemicals, use rubber or neoprene gloves to safely dispose of it. If skin is exposed to battery fluids, wash the affected area with soap and water and rinse with vinegar. If eyes are exposed to battery chemicals, immediately flush with water for 20 minutes and seek medical attention. Remove and dispose of contaminated clothing.

- **Store your battery pack and charger in a cool, dry place** – Do not store the battery pack or charger where temperatures may exceed 104 °F, such as in direct sunlight or inside a vehicle or metal building during the summer.

- **Do not short circuit** – A battery pack will short circuit if a metal object makes a connection between the positive and negative contacts on the battery pack. Do not place a battery pack near anything that may cause a short circuit, such as paper clips, coins, keys, screws, nails and other metallic objects. A short-circuited battery pack poses a risk of fire and severe personal injury.

BATTERY & CHARGER SAFETY WARNINGS

ABOUT THE BATTERY

1. The battery pack has to be charged completely before you use the tool for the first time.
2. For optimum battery performance, avoid low discharge cycles by charging the battery pack frequently.
3. Lithium-ion batteries are subject to a natural aging process. The battery pack must be replaced at the latest when its capacity falls to just 80% of its capacity when new. Weakened cells in an aged battery pack are no longer capable of meeting the high power requirements needed for the proper operation of your tool, and therefore pose a safety risk.
4. Do not throw battery packs into an open fire as this poses a risk of explosion. Do not ignite the battery pack or expose it to fire.
5. Do not exhaustively discharge batteries. Exhaustive discharge will damage the battery cells. The most common cause of exhaustive discharge is lengthy storage or non-use of partially discharged batteries. Stop working as soon as the performance of the battery falls noticeably or the electronic protection system triggers. Place the battery pack in storage only after it has been fully charged.
6. Protect batteries and the tool from overloads. Overloads will quickly result in overheating and cell damage inside the battery housing even if this overheating is not apparent externally.
7. Avoid damage and shocks. Immediately replace batteries that have been dropped from a height of more than one meter or those that have been exposed to violent shocks, even if the housing of the battery pack appears to be undamaged. The battery cells inside the battery may have suffered serious damage. In such instances, please read the waste disposal information for proper battery disposal.
8. If the battery pack suffers overloading and overheating, the integrated protective cutoff will switch off the equipment for safety reasons.
9. Use only original battery packs. The use of other batteries poses a fire risk and may result in injuries or an explosion.

ABOUT THE CHARGER

Protect battery charger and cord from damage. Keep the charger and its cord away from heat, oil and sharp edges.

Electrical plugs must match the outlet. Never modify the plug in any way. Do not use any adapter plugs with grounded appliances. Unmodified plugs and matching outlets will reduce the risk of electric shock.

Keep the battery charger, battery pack(s), and the cordless tool out of the reach of children.

Do not use the supplied battery charger to charge other cordless tools.

During periods of heavy use, the battery pack will become warm. Allow the battery pack to cool to room temperature before inserting it into the charger to recharge.

Do not overcharge batteries. Do not exceed the maximum charging times. These charging times only apply to discharged batteries. Frequent insertion of a charged or partially charged battery pack will result in overcharging and cell damage. Do not leave battery in the charger for days on end.

Never use or charge a battery if you suspect that it has been more than 12 months since last time they were charged. There is a high probability that battery pack has already suffered dangerous damage (exhaustive discharge).

Do not use battery that have been exposed to heat during the charging process, as the battery cells may have suffered dangerous damage.

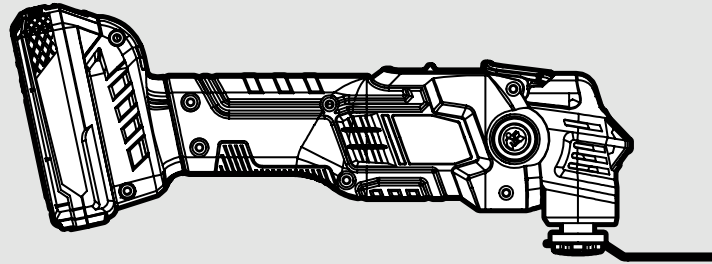
Do not use battery that have suffered curvature or deformation during the charging process or those that exhibit other atypical symptoms (gassing, hissing, cracking, etc.)

UNPACKING & PACKING LIST

UNPACKING

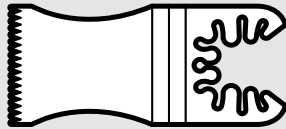
Carefully remove the oscillating multi-tool from the packaging and place it on a sturdy, flat surface. Make sure to take out all contents and accessories. Do not discard the packaging until everything is removed. Check the packing list below to make sure you have all of the parts and accessories. If any part is missing or broken, please contact customer service at **1-847-429-9263** (M-F 8-5 CST), or email techsupport@wenproducts.com.

Components

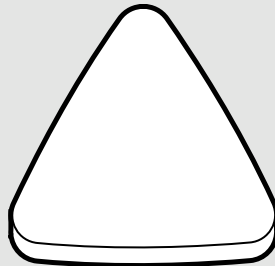


Oscillating Multi-Tool

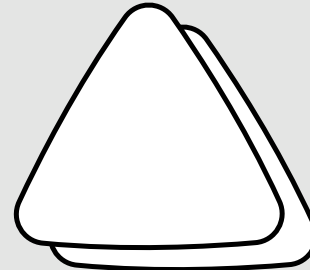
Accessories



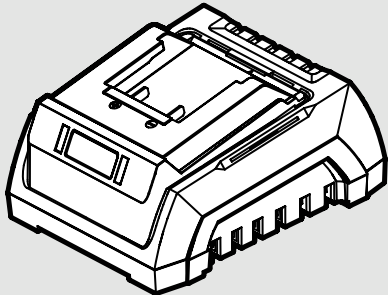
Wood Blade (1)



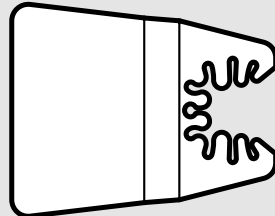
Sanding Pad (1)



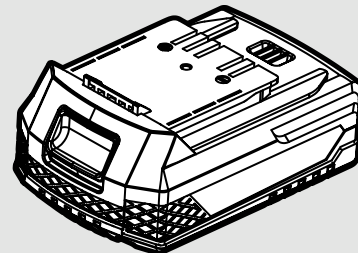
Sandpaper (2)
(1x 60-Grit, 1x 80-Grit)



*20V Charger (1)



Scraper (1)



*20V Battery (1)

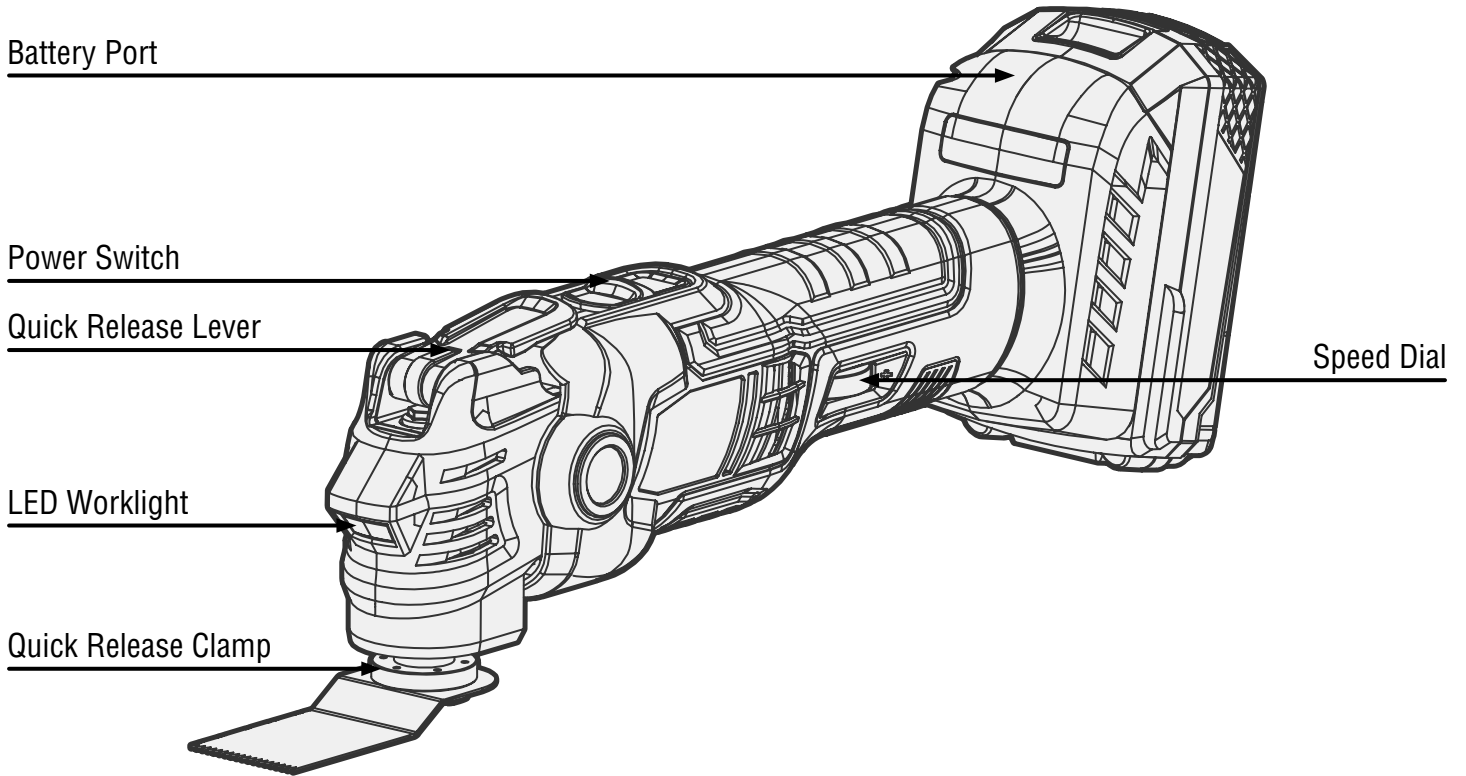
***NOTE:** Battery and charger only included with model 20936. Model 20936BT does not include a battery or charger.

A full range of oscillating tool blades, scrapers, sandpaper, and accessories are available for purchase at wenproducts.com (Models MTB008, MTB014, MTB020, MTB031, MTB050, MTB206, and MTB345).


KNOW YOUR OSCILLATING MULTI-TOOL

TOOL PURPOSE

Sand, scrape, or cut, all with your WEN Oscillating Multi-Tool. Refer to the following diagrams to become familiarized with all the parts and controls of your multi-tool. The components will be referred to later in the manual for assembly and operation instructions.



ASSEMBLY & ADJUSTMENTS

 **WARNING!** To avoid injury from accidental startups, be sure that the tool is switched OFF and the battery is removed from the tool before inspecting the unit, making adjustments, or changing accessories.

CHARGING THE BATTERY PACK

The 20V battery pack for this tool is supplied in a low charge condition to prevent possible problems, and must be charged completely before you use the tool for the first time.

1. Connect charger to a 120V, 60Hz AC outlet. The green lights on the charger will illuminate, indicating that the charger is powered.
2. Slide the battery all the way into the charger port until it clicks. The red light on the corresponding charger port will illuminate, indicating that the battery is charging.

Charging Indication:

- Solid Green: Ready to Charge
- Solid Red: Charging
- Solid Green: Charged

3. When the battery is charged, the red light will turn off and the green light will turn on. Remove the battery from the charger and unplug the charger from the power supply.

NOTE: Battery will not reach full charge the first time it is charged. Allow several cycles for the battery to fully charge. The battery pack may become warm while charging; this is normal. If the battery is hot after continuous use in the tool, allow it to cool to room temperature before charging. This will prolong the life of your battery.

The battery pack is equipped with three LED battery life indication lights. Press and hold the power button on the front or rear of the battery to check the battery's charge status.

Battery Life Indication:

- Three Lights: The battery is fully charged.
- Two Lights: The battery is about 60% charged.
- One Light: The battery is almost out of power and needs to be charged.

INSERTING AND REMOVING THE BATTERY

1. To install the battery, slide the battery pack into the battery port. Make sure the release latch on the rear side of the battery pack snaps into place and the battery is secure before beginning operation.
2. To remove the battery pack, press the battery release latch on the front of the battery and pull the battery pack out.

ASSEMBLY & ADJUSTMENTS

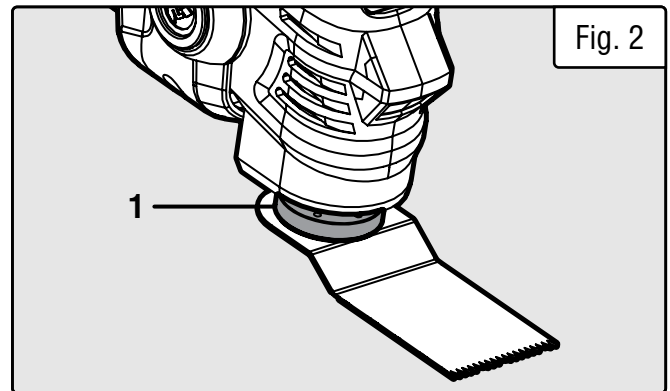
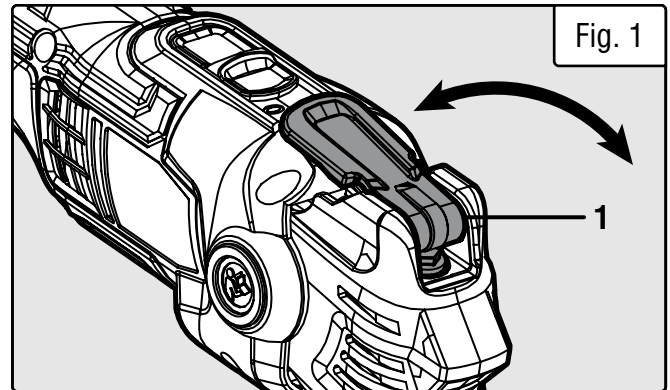
⚠ WARNING! To avoid injury from accidental startups, be sure that the tool is switched OFF and the battery is removed from the tool before inspecting the unit, making adjustments, or changing accessories.

INSTALLING & REMOVING ACCESSORIES

Your oscillating multi-tool is compatible with most universal attachments. It does NOT accept Starlock blades. A full range of oscillating tool blades, scrapers, sandpaper, and accessories is available for purchase at wenproducts.com (models MTB008, MTB014, MTB020, MTB031, MTB050, MTB206, and MTB345).

1. Release the quick-release lever (Fig. 1 - 1). Open the lever fully.
2. Carefully remove the installed accessory from the quick-release clamp (Fig. 2 - 1). Place the desired accessory onto the quick-release clamp, ensuring that the holes on the accessory align with the notches on the clamp.
3. Close the quick-release lever to secure the accessory in place.

NOTE: Carefully pull on the accessory to make sure that it is secure before beginning operation.



OPERATION

POWERING THE TOOL ON & OFF

1. Install the battery onto the battery port on the back of the oscillating multi-tool.
2. To start the tool, push the power switch (Fig. 3 - 1) forward to the ON position.
3. To stop the tool, push the power switch backward to the OFF position.
4. Once you have completed operation, wait for the tool to come to a complete stop and remove the battery from the battery port.

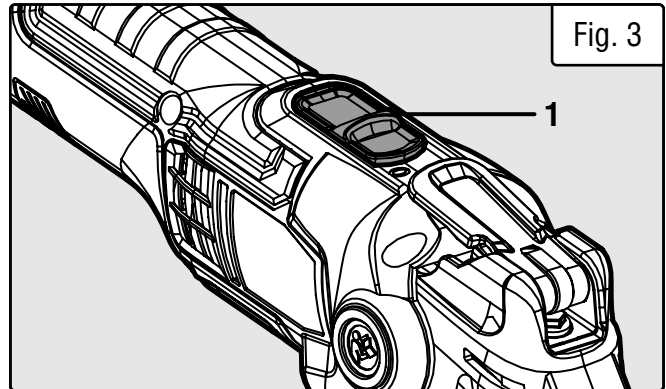


Fig. 3

SETTING THE VARIABLE SPEED DIAL

Your oscillating multi-tool has six variable speed options between 5000 RPM and 19000 OPM.

1. To increase the speed, rotate the variable speed dial (Fig. 4 - 1) to the right. Setting 6 indicates maximum speed.
2. To decrease the speed, rotate the variable speed dial to the left. Setting 1 indicates minimum speed.

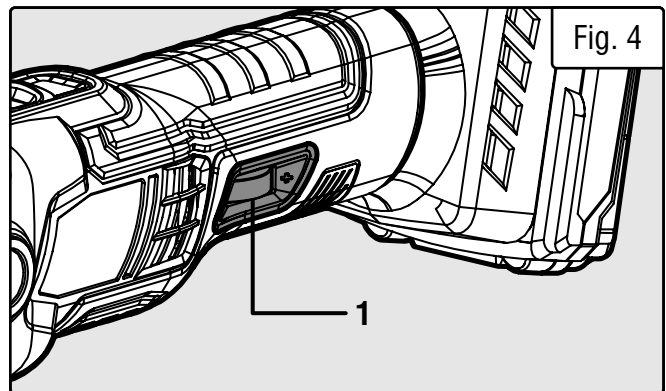


Fig. 4

LED WORKLIGHT

The LED worklight (Fig. 5 - 1) will automatically turn ON when you turn the multi-tool ON. The LED worklight will turn OFF when the tool is powered OFF.

BOOST MODE

Your oscillating multi-tool features a built-in, automatic boost mode. When the tool is under heavy load, the motor will automatically speed up to deliver more power. When the load is removed, the motor will automatically slow down to conserve battery life. Generally, the higher the speed setting, the more frequently boost mode will activate. Boost mode consumes more battery power than normal operation. For the best balance of runtime and performance, let the tool do the work, and do not force it.

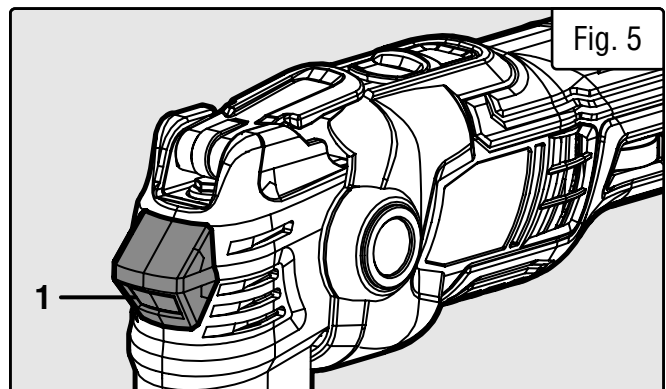


Fig. 5

OPERATION

SANDING

1. Install the sanding pad. See “INSTALLING & REMOVING ACCESSORIES” on page 14.
2. Press the sandpaper onto the sanding pad, ensuring that the edges and holes align.
3. Ensure that the sanding pad is secure and start the tool.
4. Place the oscillating tool flat on the workpiece and move the tool back and forth along the surface. Make sure that your movements are even and smooth. Do not apply excessive pressure to the tool. Doing so will quickly wear out the sandpaper and damage the sanding pad.

SAWING & CUTTING

1. Install the wood-cutting blade. See “INSTALLING & REMOVING ACCESSORIES” on page 14.
2. Ensure that the workpiece is clamped down and the blade is secure before starting the tool.
3. Power the tool ON and use a slight pendulum motion back and forth while cutting.

SCRAPING

Use the scraper blade to remove material such as fabric, adhesive, vinyl, paint from wood, plastic and metal, or to clean up old grout from tile.

1. Install the scraper blade. See “INSTALLING & REMOVING ACCESSORIES” on page 14.
2. Ensure that the scraper is secure and start the tool.
3. Hold the tool at a 10° - 15° angle to the workpiece. Allow the scraper to do the work. Do not apply heavy pressure to the tool. This may cause the oscillating tool to slip or cut into the surface of the material.

MAINTENANCE

⚠ WARNING! To avoid accidents, make sure the power switch is in the OFF position and the battery is removed from the tool before cleaning or performing any maintenance. Servicing of the tool must be performed by a qualified technician.

ROUTINE INSPECTION

1. Before each use, inspect the general condition of the tool.

Check for:

- Loose hardware
- Misalignment or binding of moving parts
- Cracked or broken parts
- Any other condition that may affect its safe operation

2. After every use, wipe the tool with a soft cloth. Do not let water enter the tool.

3. Keep the ventilation openings free from dust and debris to prevent the motor from overheating.

4. Most plastics are susceptible to damage from various types of commercial solvents. Do not use any solvents or cleaning products that could damage the plastic parts. Some of these include but are not limited to: gasoline, carbon tetrachloride, chlorinated cleaning solvents, ammonia and household detergents that contain ammonia.

5. Store the tool in a clean and dry place away from the reach of children.

PRODUCT DISPOSAL

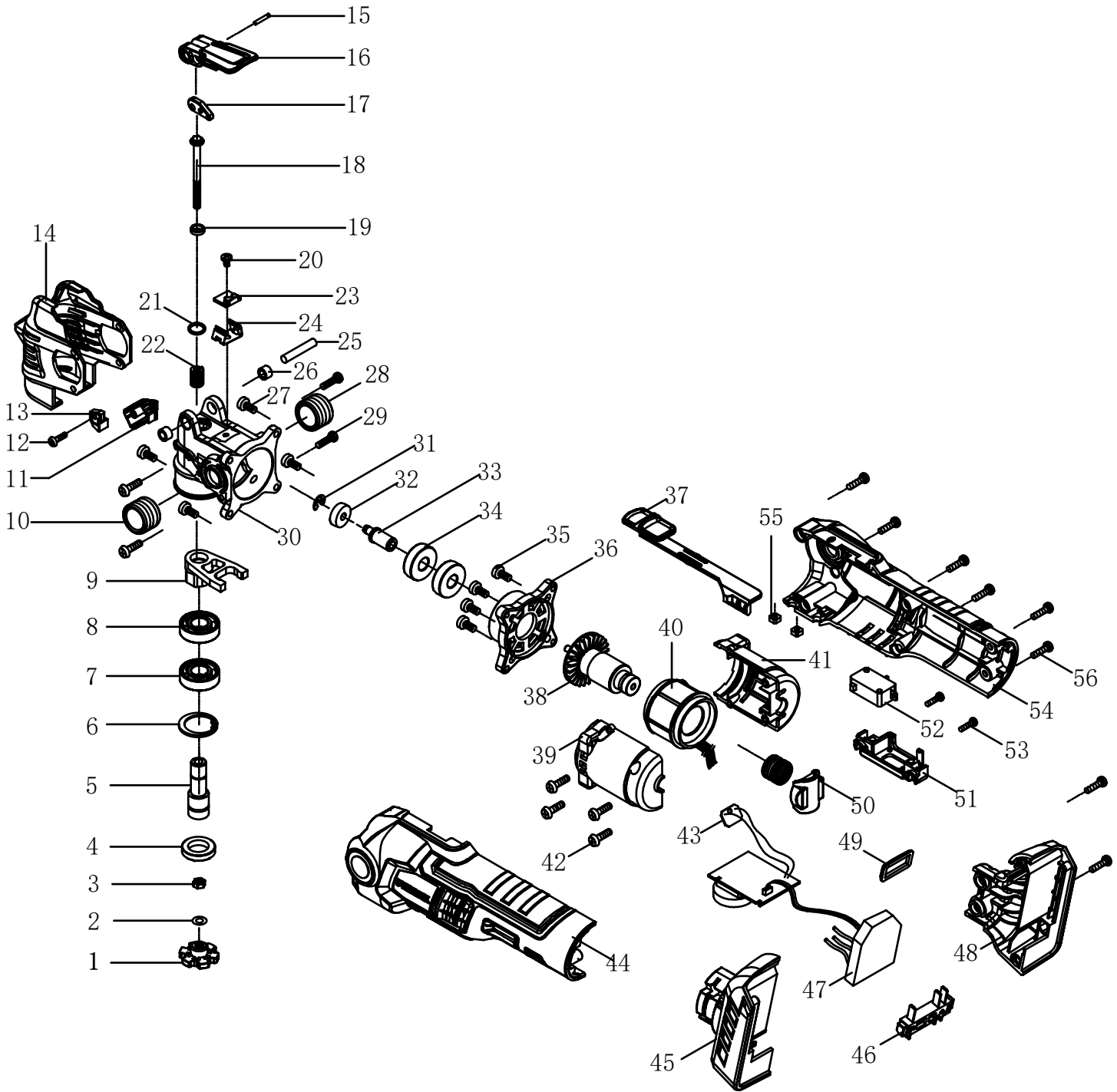
Used power tools should not be disposed of together with household waste. This product contains electronic components that should be recycled. Please take this product to your local recycling facility for responsible disposal and to minimize its environmental impact.

TROUBLESHOOTING GUIDE

Problem	Cause	Solution
Multi-tool will not start.	1. The battery is not properly installed.	1. Properly install the battery.
	2. The battery is not charged.	2. Charge the battery.
	3. Internal damage or wear.	3. Contact WEN Customer Service at 1-847-429-9263 .
An accessory is loose on the tool.	1. The accessory is not properly aligned with the notches in the tool.	1. Reinstall the accessory making sure that the holes on the accessory align with the notches in the tool.
Performance decreases over time.	1. The accessory is dull or damaged.	1. Keep the cutting accessories sharp and replace accessories as needed.
Excessive noise or rattling.	1. Internal damage or wear.	1. Contact WEN Customer Service at 1-847-429-9263 .
The tool overheats.	1. Forcing the tool.	1. Do not apply excessive pressure to the tool during operation.
	2. Accessories dull or damaged.	2. Keep the cutting accessories sharp and replace as needed.
	3. Blocked motor housing vents.	3. Blow dust out of the motor using compressed air and keep vents clear of debris.

EXPLODED VIEW & PARTS LIST

NOTE: Not all parts may be available for purchase. Parts and accessories that wear down over the course of normal use are not covered under the warranty.



EXPLODED VIEW & PARTS LIST

NOTE: Not all parts may be available for purchase. Parts and accessories that wear down over the course of normal use are not covered under the warranty.

No.	Part No.	Description	Qty.	No.	Part No.	Description	Qty.
1	20936-001	Lower Blade Clamping Flange	1	29	20936-029	Screw, M4x8	4
2	20936-002	Felt Ring	1	30	20936-030	Head Housing	1
3	20936-003	Hex Nut, M6	1	31	20936-031	E-clip, 4mm	1
4	20936-004	Upper Blade Clamping Flange	1	32	20936-032	Bearing, 625	1
5	20936-005	Spindle	1	33	20936-033	Eccentric Shaft	1
6	20936-006	Circlip, 28mm	1	34	20936-034	Bearing, 609	2
7	20936-007	Bearing, 6001, 1	1	35	20936-035	Self-tapping Screw, ST4x10	4
8	20936-008	Bearing, 6001, 2	1	36	20936-036	Motor Front Housing	1
9	20936-009	Shifting Fork	1	37	20936-037	Switch Lever	1
10	20936-010	Left Anti-Vibration Spring	1	39	20936-039	Left Motor Housing	1
11	20936-011	Right LED Housing	1	38, 40	20936-038ASM	Motor Assembly, 3820	1
12	20936-012	Self-tapping Screw, ST3x14	1	41	20936-041	Right Motor Housing	1
13	20936-013	Left LED Housing	1	42	20936-042	Self-tapping Screw, ST3.5x10	4
14	20936-014	Head Cover	1	43	20936-043	LED Light	1
15	20936-015	Pin, 4x16	1	44	20936-044	Left Housing	1
16	20936-016	Latch	1	45	20936-045	Left Battery Housing	1
17	20936-017	Cam	1	46	20936-046	Battery Terminal	1
18	20936-018	Draw Bolt	1	47	20936-047	PCB Assembly	1
19	20936-019	Sealing Cover	1	48	20936-048	Right Housing	1
20	20936-020	Phillips Screw, M3x6	1	49	20936-049	Cover	1
21	20936-021	O-ring, 1.8x13.2	1	50	20936-050	Motor Rear Support	1
22	20936-022	Spring	1	51	20936-051	Switch Locating Support	1
23	20936-023	Clasp Pad	1	52	20936-052	Switch	1
24	20936-024	Clasp	1	53	20936-053	Self-tapping Screw, ST3x10	2
25	20936-025	Pin, 4.9x29	1	54	20936-054	Right Housing	1
26	20936-026	Steel Bushing, 5x8x5	2	55	20936-055	Square Nut, M5	2
27	20936-027	Screw, M4x14	4	56	20936-056	Self-tapping Screw, ST4x14	8
28	20936-028	Right / Rear Anti-Vibration Spring	2				

WARRANTY STATEMENT

WEN Products is committed to building tools that are dependable for years. Our warranties are consistent with this commitment and our dedication to quality.

LIMITED WARRANTY OF WEN PRODUCTS FOR HOME USE

GREAT LAKES TECHNOLOGIES, LLC (“Seller”) warrants to the original purchaser only, that all WEN consumer power tools will be free from defects in material or workmanship during personal use for a period of two (2) years from date of purchase or 500 hours of use; whichever comes first. Ninety days for all WEN products if the tool is used for professional or commercial use. Purchaser has 30 days from the date of purchase to report missing or damaged parts.

SELLER’S SOLE OBLIGATION AND YOUR EXCLUSIVE REMEDY under this Limited Warranty and, to the extent permitted by law, any warranty or condition implied by law, shall be the replacement of parts, without charge, which are defective in material or workmanship and which have not been subjected to misuse, alteration, careless handling, misrepair, abuse, neglect, normal wear and tear, improper maintenance, or other conditions adversely affecting the Product or the component of the Product, whether by accident or intentionally, by persons other than Seller. To make a claim under this Limited Warranty, you must make sure to keep a copy of your proof of purchase that clearly defines the Date of Purchase (month and year) and the Place of Purchase. Place of Purchase must be a direct vendor of Great Lakes Technologies, LLC. Purchasing through third party vendors, including but not limited to garage sales, pawn shops, resale shops, or any other secondhand merchant, voids the warranty included with this product. Contact techsupport@wenproducts.com or 1-847-429-9263 with the following information to make arrangements: your shipping address, phone number, serial number, required part numbers, and proof of purchase. Damaged or defective parts and products may need to be sent to WEN before the replacements can be shipped out.

Upon the confirmation of a WEN representative, your product may qualify for repairs and service work. When returning a product for warranty service, the shipping charges must be prepaid by the purchaser. The product must be shipped in its original container (or an equivalent), properly packed to withstand the hazards of shipment. The product must be fully insured with a copy of the proof of purchase enclosed. There must also be a description of the problem in order to help our repairs department diagnose and fix the issue. Repairs will be made and the product will be returned and shipped back to the purchaser at no charge for addresses within the contiguous United States.

THIS LIMITED WARRANTY DOES NOT APPLY TO ITEMS THAT WEAR OUT FROM REGULAR USAGE OVER TIME, INCLUDING BELTS, BRUSHES, BLADES, BATTERIES, ETC. ANY IMPLIED WARRANTIES SHALL BE LIMITED IN DURATION TO TWO (2) YEARS FROM DATE OF PURCHASE. SOME STATES IN THE U.S. AND SOME CANADIAN PROVINCES DO NOT ALLOW LIMITATIONS ON HOW LONG AN IMPLIED WARRANTY LASTS, SO THE ABOVE LIMITATION MAY NOT APPLY TO YOU.

IN NO EVENT SHALL SELLER BE LIABLE FOR ANY INCIDENTAL OR CONSEQUENTIAL DAMAGES (INCLUDING BUT NOT LIMITED TO LIABILITY FOR LOSS OF PROFITS) ARISING FROM THE SALE OR USE OF THIS PRODUCT. SOME STATES IN THE U.S. AND SOME CANADIAN PROVINCES DO NOT ALLOW THE EXCLUSION OR LIMITATION OF INCIDENTAL OR CONSEQUENTIAL DAMAGES, SO THE ABOVE LIMITATION OR EXCLUSION MAY NOT APPLY TO YOU.

THIS LIMITED WARRANTY GIVES YOU SPECIFIC LEGAL RIGHTS, AND YOU MAY ALSO HAVE OTHER RIGHTS WHICH VARY FROM STATE TO STATE IN THE U.S., PROVINCE TO PROVINCE IN CANADA AND FROM COUNTRY TO COUNTRY.

THIS LIMITED WARRANTY APPLIES ONLY TO ITEMS SOLD WITHIN THE UNITED STATES OF AMERICA, CANADA AND THE COMMONWEALTH OF PUERTO RICO. FOR WARRANTY COVERAGE WITHIN OTHER COUNTRIES, CONTACT THE WEN CUSTOMER SUPPORT LINE. FOR WARRANTY PARTS OR PRODUCTS REPAIRED UNDER WARRANTY SHIPPING TO ADDRESSES OUTSIDE OF THE CONTIGUOUS UNITED STATES, ADDITIONAL SHIPPING CHARGES MAY APPLY.