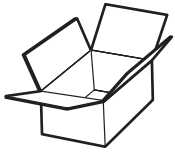
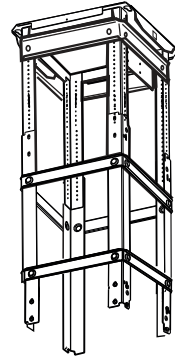


EN Instructions for use
FR Mode d'emploi
ES Instrucciones de uso
NL Gebruiksaanwijzingen
IT Istruzioni per l'uso
CS Návod k použití
HU Használati útmutató
KK Пайдалану нұсқауы
PL Instrukcja obsługi
RU Инструкция по эксплуатации
SK Návod na používanie

Whirlpool



6X Ø 10x60mm



1x



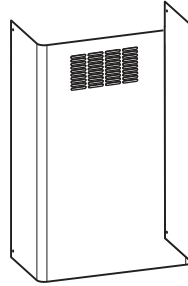
1x



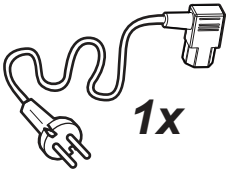
6X Ø 6x70mm



46X Ø 3,5x9,5mm



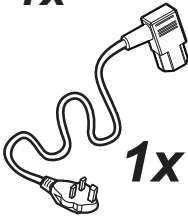
2x



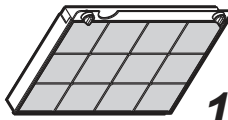
1x



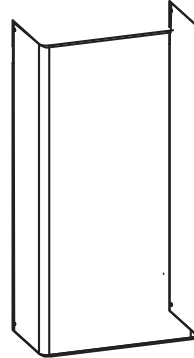
8X Ø 3x9mm



1x



1x



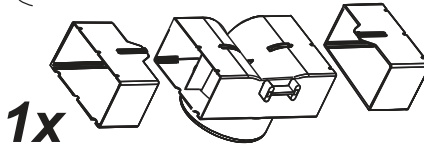
2x



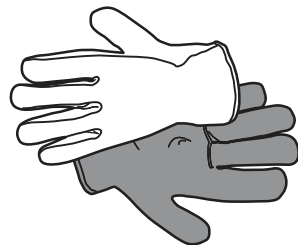
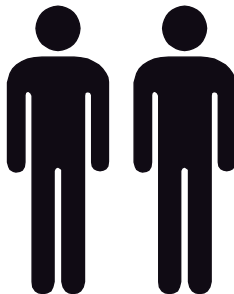
1x 2m

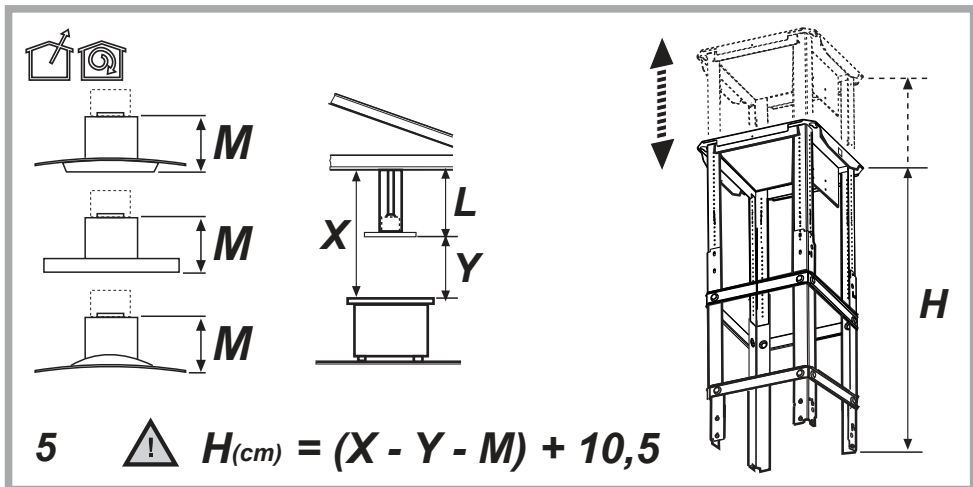
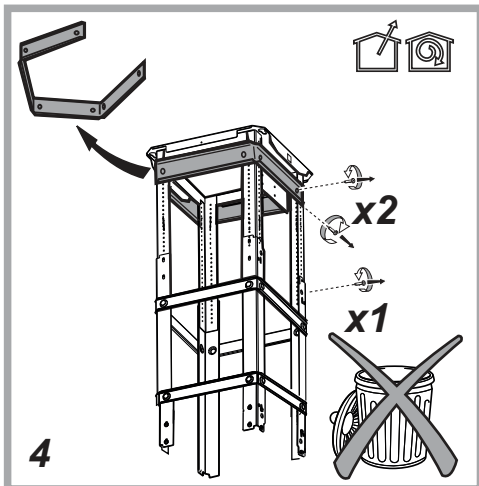
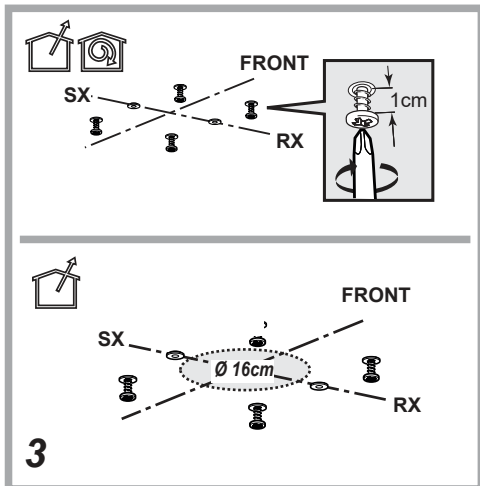
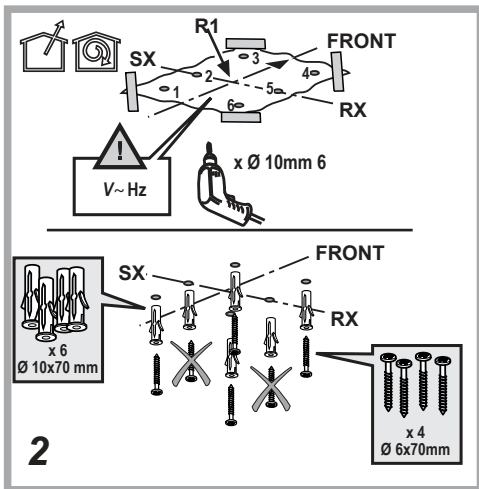
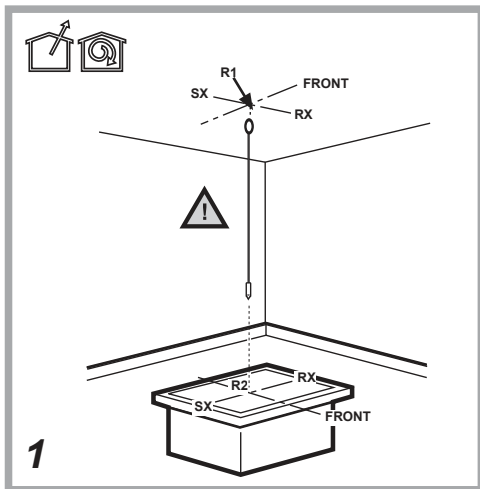


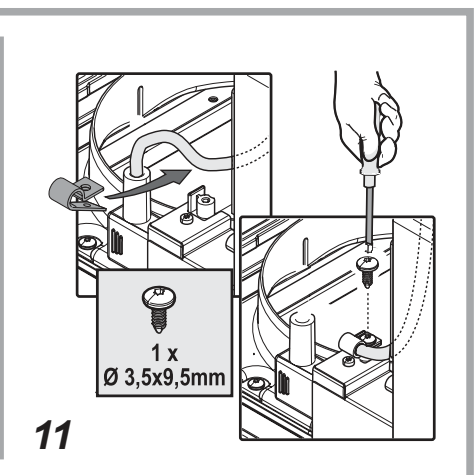
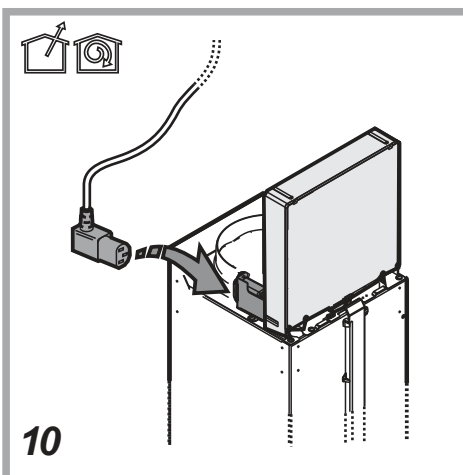
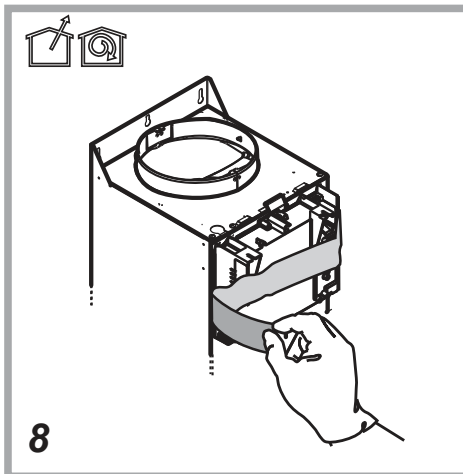
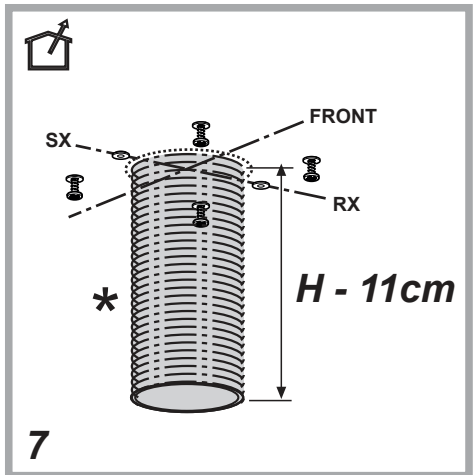
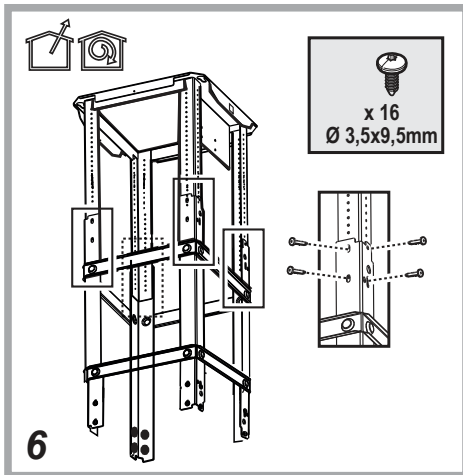
1x

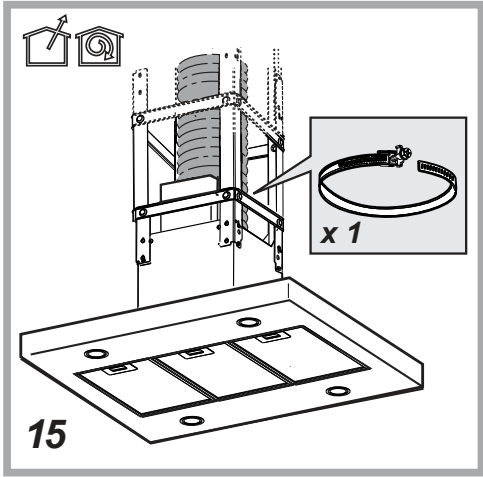
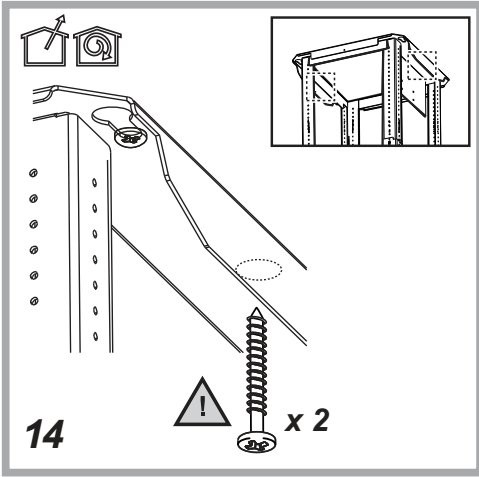
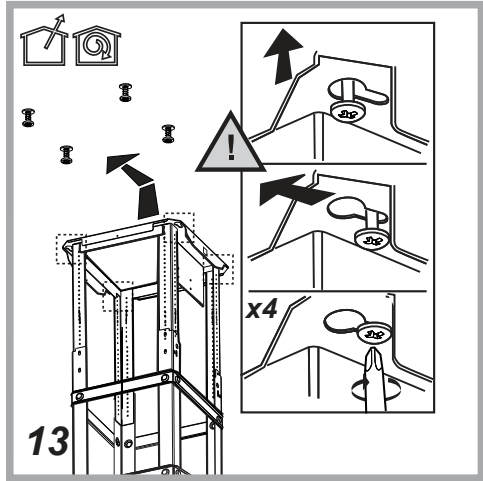
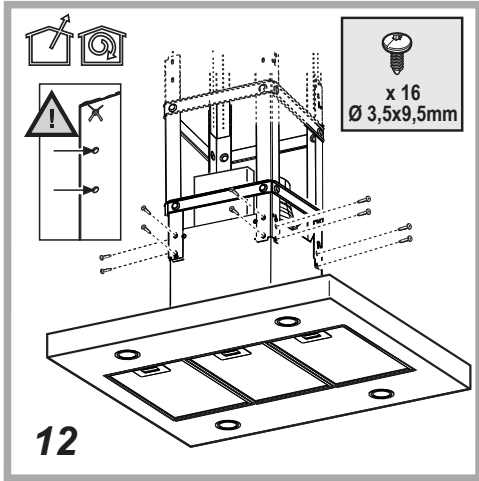


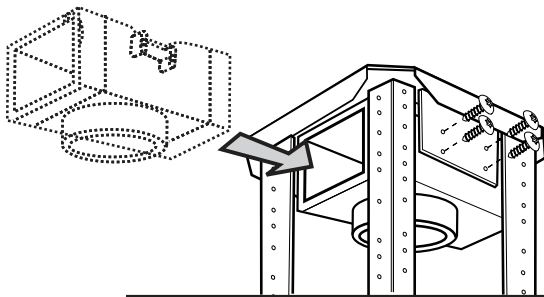
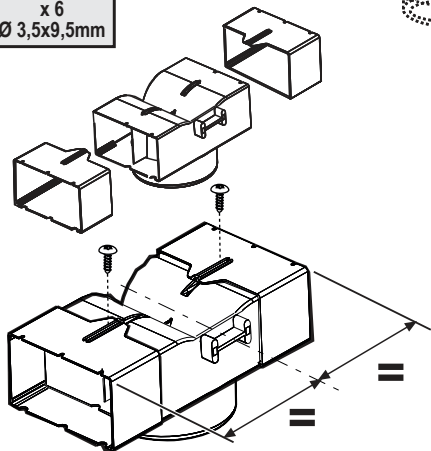
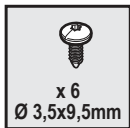
1x



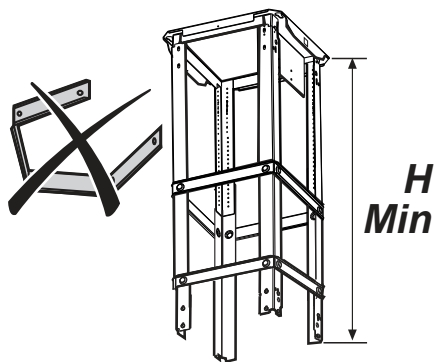
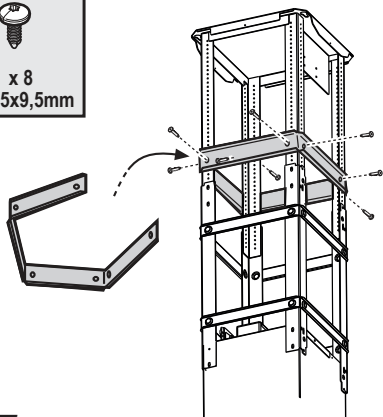
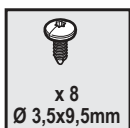
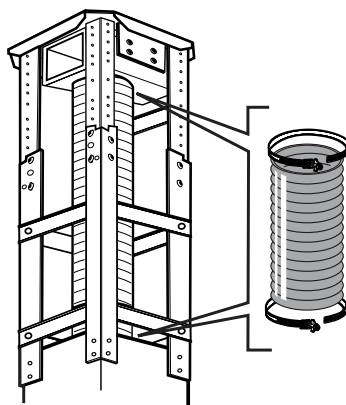




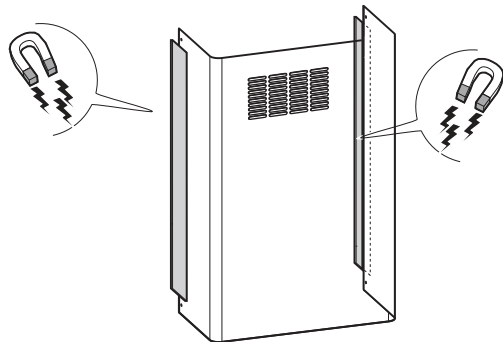
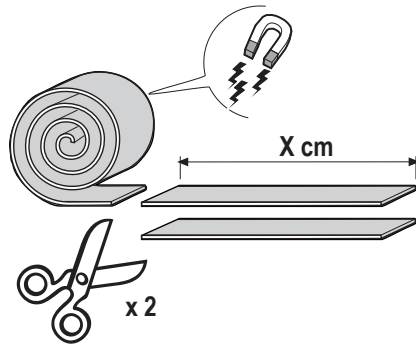
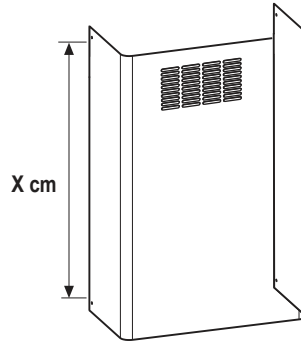
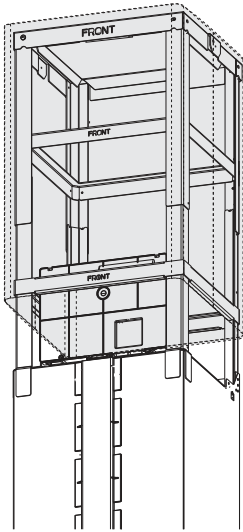




16

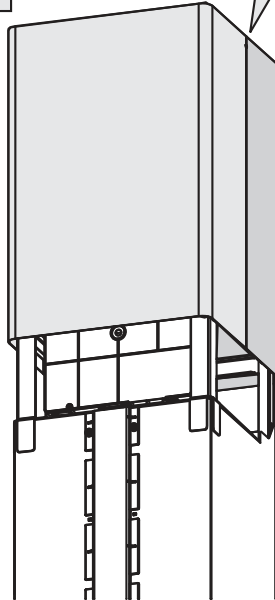
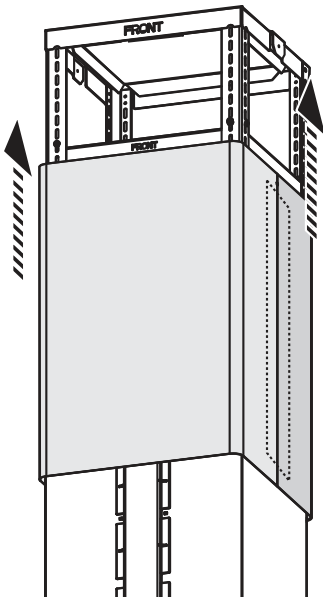
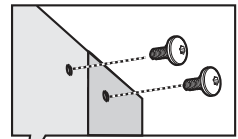
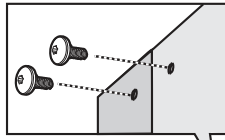
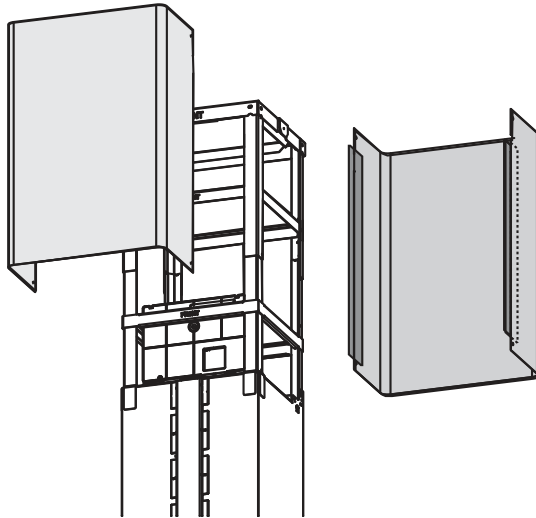


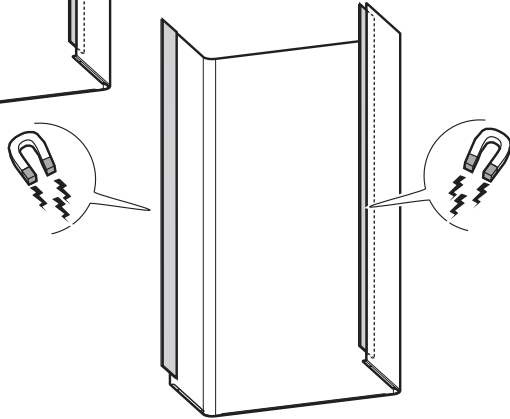
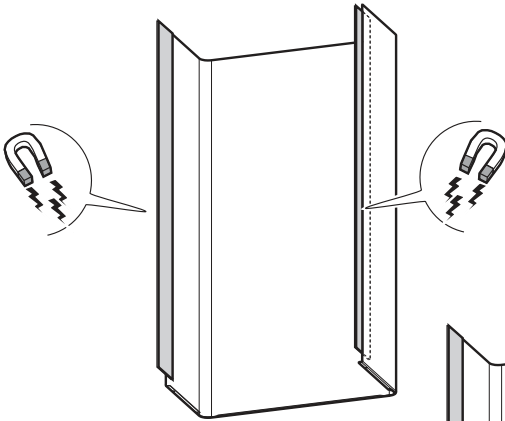
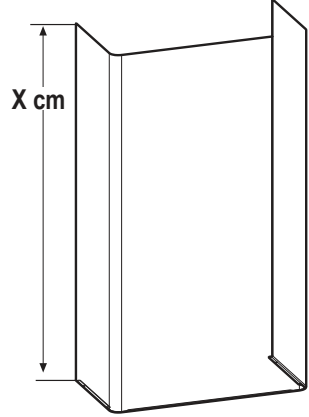
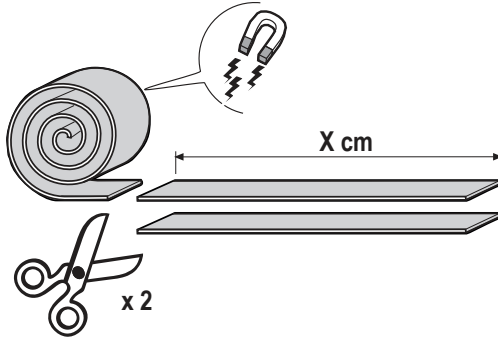
17

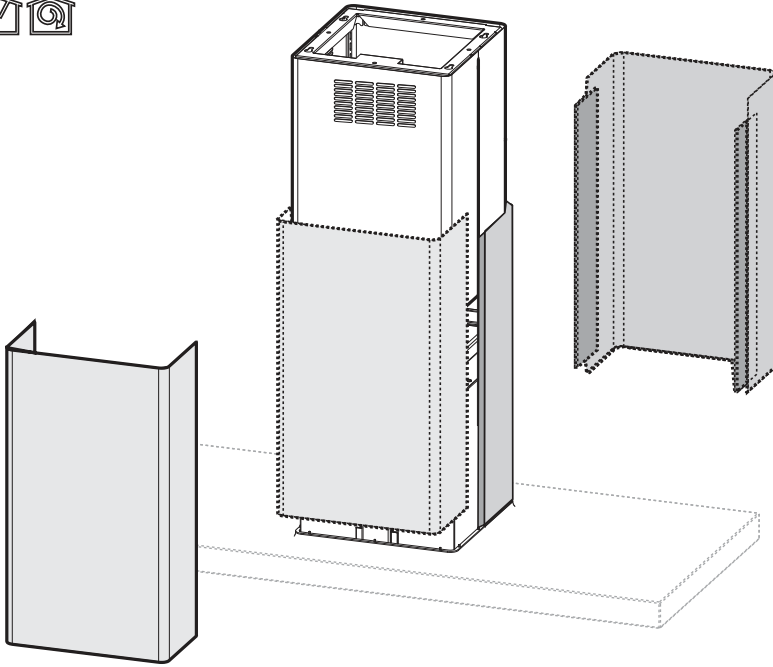




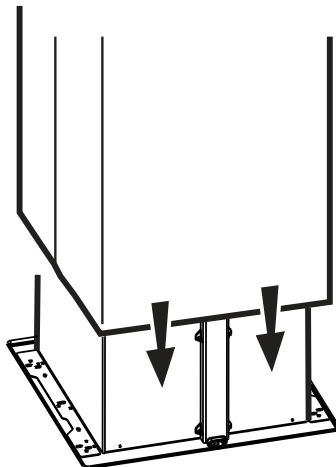
x 4
Ø 3x9mm



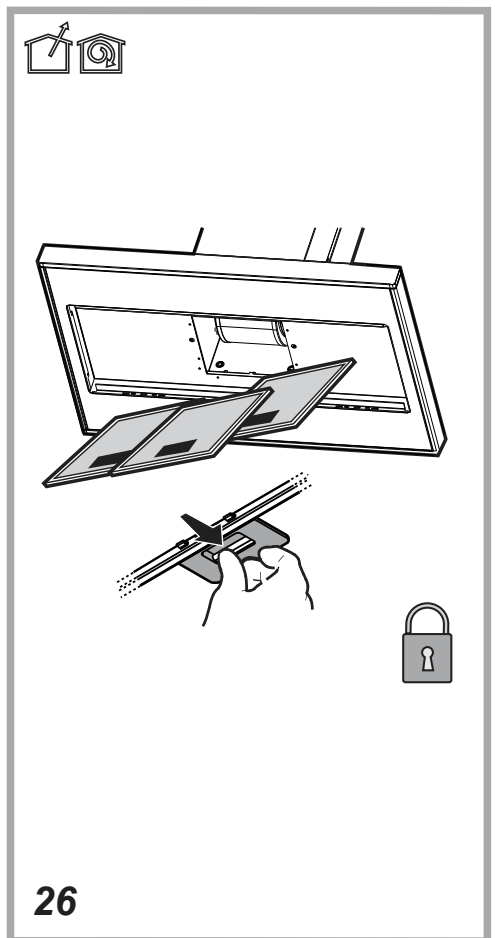
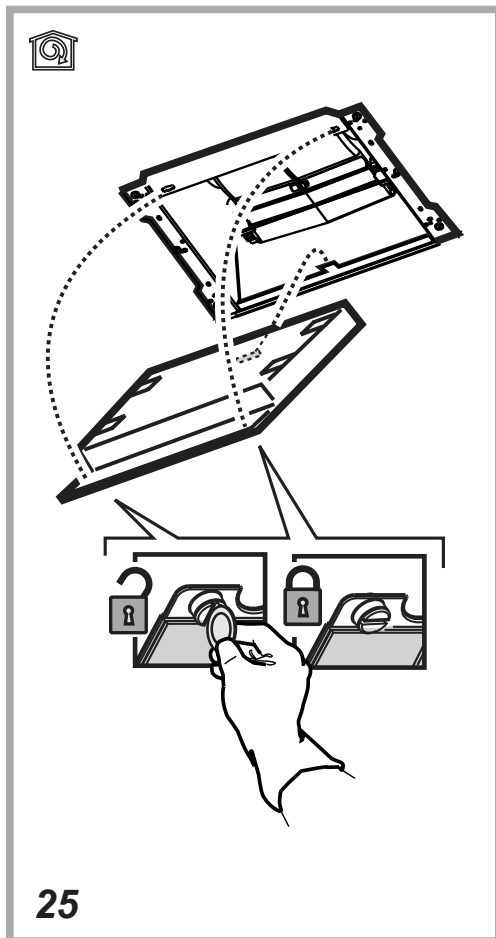
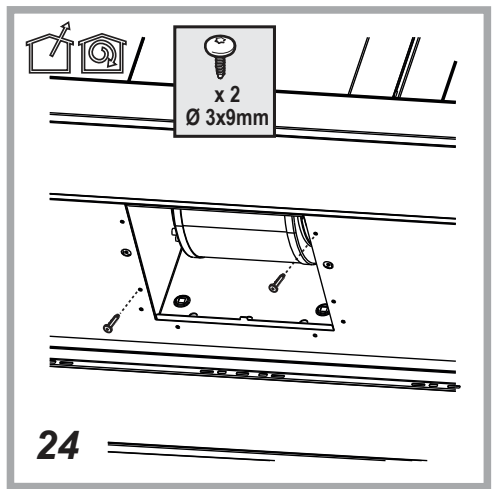
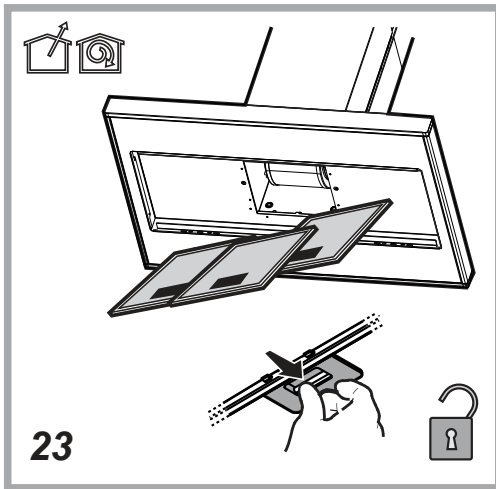




21



22



GENERAL SAFETY

- Before any cleaning or maintenance operation, disconnect hood from the mains by removing the plug or disconnecting the mains electrical supply.
- Always wear work gloves for all installation and maintenance operations.
- This appliance can be used by children aged from 8 years and above and persons with reduced physical, sensory or mental capabilities or lack of experience and knowledge if they have been given supervision or instruction concerning use of the appliance in a safe way and understand the hazards involved.
- Children shall not be allowed to tamper with the controls or play with the appliance.
- Cleaning and user maintenance shall not be made by children without supervision.
- The premises where the appliance is installed must be sufficiently ventilated, when the kitchen hood is used together with other gas combustion devices or other fuels.
- The hood must be regularly cleaned on both the inside and outside (AT LEAST ONCE A MONTH).
- This must be completed in accordance with the maintenance instructions provided. Failure to follow the instructions provided regarding the cleaning of the hood and filters will lead to the risk of fires.
- Do not flambé under the range hood.
- Do not remove filters during cooking.
- For lamp replacement use only lamp type indicated in the Maintenance/Replacing lamps section of this manual.

The use of exposed flames is detrimental to the filters and may cause a fire risk, and must therefore be avoided in all circumstances.

Any frying must be done with care in order to make sure that the oil does not overheat and ignite.

CAUTION: Accessible parts of the hood MAY become hot when used with cooking appliances.

- Do not connect the appliance to the mains until the installation is fully complete.
- With regards to the technical and safety measures to be adopted for fume discharging it is important to closely follow the regulations provided by the local authorities.
- The air must not be discharged into a flue that is used for exhausting fumes from appliance burning gas or other fuels.

▲ WARNING! Failure to install the screws or fixing device in accordance with these instructions may result in electrical hazards.

- Do not use or leave the hood without the lamp correctly mounted due to the possible risk of electric shocks.
- Never use the hood without effectively mounted grids.
- The hood must NEVER be used as a support surface unless specifically indicated.
- Use only the fixing screws supplied with the product for installation or, if not supplied, purchase the correct screws type.

- Use the correct length for the screws which are identified in the Installation Guide.
- In case of doubt, consult an authorized service assistance center or similar qualified person.

▲ WARNING! Do not use with a programmer, timer, separate remote control system or any other device that switches on automatically.

Very young children(0-3years)should be kept away from the appliance.Young children (3-8 years)should be kept away from the appliance unless continuously supervised.

▲ CAUTION:The appliance is not intended to be operated by means of an external switching device, such as a timer,or separate remote controlled system.

▲ This appliance is not for professional use. Do not use the appliance outdoors.

▲ The appliance must be handled and installed by two or more persons-risk of injury.

▲ Installation, including water supply (if any),electrical connections and repairs must be carried out by a qualified technician. Once installed,packaging waste (plastic,styrofoam parts etc.) must be stored out of reach of children – risk of suffocation.

Do not use the appliance when you are wet or barefoot.

Never use steam cleaning equipement – risk of electric shock.



The packaging material is 100% recyclable and is marked with the recycle symbol

The hood can look different to that illustrated in the drawings in this booklet. The instructions for use, maintenance and installation, however, remain the same.

Closely follow the instructions set out in this manual. All responsibility, for any eventual inconveniences, damages or fires caused by not complying with the instructions in this manual, is declined. This appliance is intended to be used in household and similar application such as: - staff kitchen areas in shop, offices and other working environments; - farm houses; - by clients in hotels, motels and other residential type environments; - bed and breakfast type environments.

- It is important to conserve this booklet for consultation at any moment. In the case of sale, cession or move, make sure it is together with the product.
- Read the instructions carefully: there is important information about installation, use and safety.
- Do not carry out electrical or mechanical variations on the product or on the discharge conduits.
- Before proceeding with the installation of the appliance verify that there are no damaged all components. Otherwise contact your dealer and do not proceed with the installation.

• The minimum distance between the supporting surface for the cooking equipment on the hob and the lowest part of the range hood must be not less than 50cm from electric cookers and 65cm from gas or mixed cookers.

If the instructions for installation for the gas hob specify a greater distance, this must be adhered to.

ELECTRICAL CONNECTION

The mains power supply must correspond to the rating indicated on the plate situated inside the hood. If provided with a plug connect the hood to a socket in compliance with current regulations and positioned in an accessible area, after installation. If it not fitted with a plug (direct mains connection) or if the plug is not located in an accessible area, after installation, apply a double pole switch in accordance with standards which assures the complete disconnection of the mains under conditions relating to over-current category III, in accordance with installation instructions.


▲ WARNING! Before re-connecting the hood circuit to the mains supply and checking the efficient function, always check that the mains cable is correctly assembled.

If the cable is not fitted with a plug, connect the wires according to the following table:

Mains voltage and frequency

Refer to the rating indicated on the plate inside of the hood

Wire connection

 : yellow/green
N : blue
L : brown

Replacing the power cable

The hood is provided with a special power cable ; if the cable is damaged, request a new one from Technical Service.

AIR VENT

(for the suction versions)

Connect the hood and discharge holes on the walls with a diameter equivalent to the air outlet (connection flange).

Using the tubes and discharge holes on walls with smaller dimensions will cause a diminution of the suction performance and a drastic increase in noise.

Any responsibility in the matter is therefore declined.

- ! Use a duct of the minimum indispensable length.
- ! Use a duct with as few elbows as possible (maximum elbow angle: 90°).
- ! Avoid drastic changes in the duct cross-section.
- ! The company declines any responsibility whenever these regulations are not respected.

FILTERING OR DUCTING ?

! Your cooker hood is ready to be used in suction version.

To use the hood in filtering version the special ACCESSORY KIT must be installed.

Check on the first pages of this manual if the ACCESSORY KIT is furnished or must be bought separately.

Note: If furnished, in certain cases, the additional activated carbon filtering system may be installed on the hood.

Information about the conversion of the hood from suction version to filtering version is present in this manual.

Ducting version

In this case the fumes are conveyed outside of the building by means of a special pipe connected with the connection ring located on top of the hood.

▲ CAUTION!

The exhausting pipe is not supplied and must be purchased apart.

Diameter of the exhausting pipe must be equal to that of the connection ring.

▲ CAUTION!

If the hood is supplied with active charcoal filter, then it must be removed.

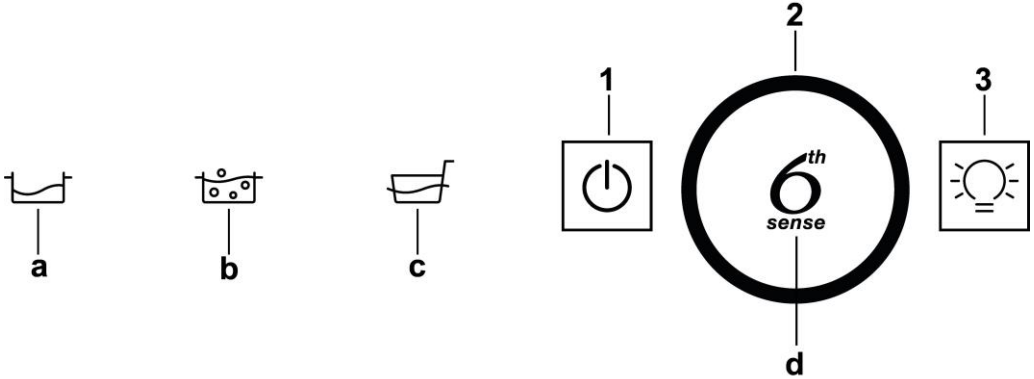
Filter version

The aspirated air will be degreased and deodorised before being fed back into the room.

In order to use the hood in this version, you have to install a system of additional filtering based on activated charcoal.

CONTROLS

The hood is fitted with a control panel with aspiration speed selection control and a light switch to control cooking area lights.



1. Motor ON/OFF
2. Speed selection (increase/decrease)

Indicator lights:

- a. running at minimum extraction speed
- b. running at medium extraction speed
- c. running at maximum extraction speed
- d. running at intensive extraction speed

NB = the intensive extraction speed is timed for 5 minutes, after which the motor will revert to medium speed.

3. Light ON/OFF

NB = control backlighting brightness increases when the function is in use.

MAINTENANCE

Cleaning

Clean using **ONLY** a cloth dampened with neutral liquid detergent. **DO NOT CLEAN WITH TOOLS OR INSTRUMENTS.** Do not use abrasive products. **DO NOT USE ALCOHOL!**

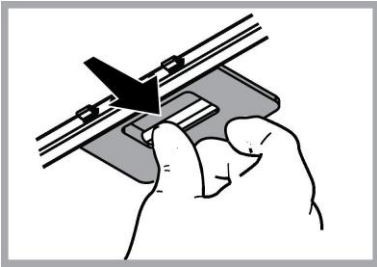
Maintenance of the anti-grease filters

Traps cooking grease particles.

This must be cleaned once a month (or when the filter saturation indication system – if envisaged on the model in possession – indicates this necessity) using non aggressive detergents, either by hand or in the dishwasher, which must be set to a low temperature and a short cycle.

When washed in a dishwasher, the grease filter may discolor slightly, but this does not affect its filtering capacity.

To remove the grease filter, pull the spring release handle.



Maintenance of the charcoal filter

It absorbs unpleasant odors caused by cooking.

The saturation of the charcoal filter occurs after more or less prolonged use, depending on the type of cooking and the regularity of cleaning of the grease filter.

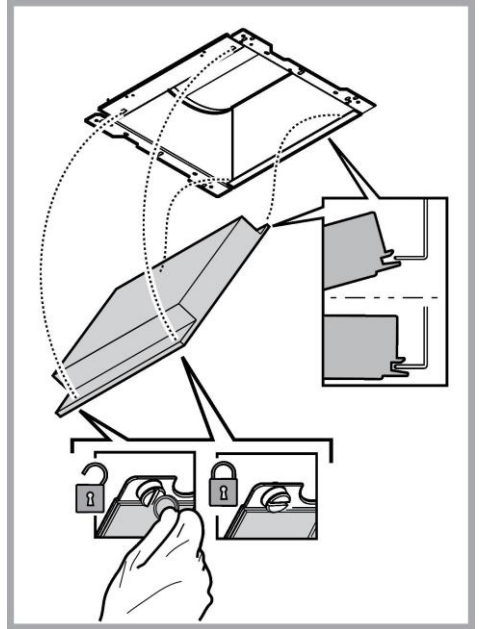
In any case it is necessary to replace the cartridge at least every four months (or when the filter saturation indication system – if envisaged on the model in possession – indicates this necessity). The charcoal filter may NOT be washed or regenerated.

Assembly

Hook the charcoal filter at the back on the metal tongue of the hood first, then on the front with the two knobs.

Disassembly

Remove the charcoal filter by turning the knobs fixing it to the hood by 90°.



Replacing lamps

The hood is equipped with a lighting system based on LED technology.


The LEDs guarantee an optimum lighting, a duration up to 10 times longer than the traditional lamps and allow to save 90% electrical energy.

The lighting system cannot be replaced by the user, contact Customer Service in case of malfunction.

DISPOSAL

- This appliance is marked according to the European directive 2012/19/EC - UK SI 2013 No.3113 on Waste Electrical and Electronic Equipment (WEEE).
- By ensuring this product is disposed of correctly, you will help prevent potential negative consequences for the environment and human health, which could otherwise be caused by inappropriate waste handling of this product.



- The symbol  on the product, or on the documents accompanying the product, indicates that this appliance may not be treated as household waste. Instead it should be taken to the appropriate collection point for the recycling of electrical and electronic equipment. Disposal must be carried out in accordance with local environmental regulations for waste disposal.
- For further detailed information regarding the process, collection and recycling of this product, please contact the appropriate department of your local authorities or the local department for household waste or the shop where you purchased this product.

Appliance designed, tested and manufactured according to:

- Safety: EN/IEC 60335-1; EN/IEC 60335-2-31, EN/IEC 62233.
- Performance: EN/IEC 61591; ISO 5167-1; ISO 5167-3; ISO 5168; EN/IEC 60704-1; EN/IEC 60704-2-13; EN/IEC 60704-3; ISO 3741; EN 50564; IEC 62301.
- EMC: EN 55014-1; CISPR 14-1; EN 55014-2; CISPR 14-2; EN/IEC 61000-3-2; EN/IEC 61000-3-3. Suggestions for a correct use in order to reduce the environmental impact: Switch ON the hood at minimum speed when you start cooking and kept it running for few minutes after cooking is finished. Increase the speed only in case of large amount of smoke and vapor and use boost speed(s) only in extreme situations. Replace the charcoal filter(s) when necessary to maintain a good odor reduction efficiency. Clean the grease filter(s) when necessary to maintain a good grease filter efficiency. Use the maximum diameter of the ducting system indicated in this manual to optimize efficiency and minimize noise.



MALFUNCTIONS

If something appears not to be working properly, do the following simple checks before calling Technical Service:

- If the hood is not working:
Check that:
 - The power has not been disconnected.
 - A speed has been selected.
- If the hood performs inefficiently:
Check that:
 - The motor speed selected is sufficient for the amount of smoke and vapours released.
 - The kitchen is sufficiently ventilated to allow air intake.
 - The charcoal filter is not worn (hood in filtering version).
- If the hood has turned off during normal functioning:
Check that:
 - The power has not been disconnected.
 - the omnipolar disconnection device has not tripped.

If the hood fails to operate correctly, briefly disconnect it from the mains power supply for almost 5 sec. Then connect it in again and try once more before contacting the Technical Assistance Service.

TECHNICAL DATA

Height (cm)	Width (cm)	Depth (cm)	Ø of the exhaust tube (cm)
 67-110  76-110	100	60	15

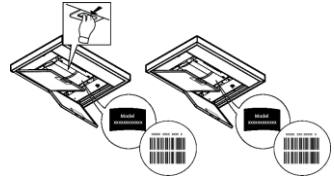


Components not provided with the product



You can download the Safety Instructions, User Manual, Product Fiche and Energy data by:

- Visiting our website docs.whirlpool.eu
- Using QR Code
- Alternatively, **contact our After-sales Service** (See phone number in the warranty booklet). When contacting our After-sales Service, please state the codes provided on your product's identification plate.



SÉCURITÉ GÉNÉRALE

- Avant tout entretien ou nettoyage du produit débranchez l'alimentation électrique en retirant la fiche électrique ou en coupant l'interrupteur général.
 - Utilisez des gants de travail pour toute opération de nettoyage ou d'entretien.
 - Cet appareil peut être utilisé par des enfants âgés d'au moins 8 ans et par des personnes ayant des capacités physiques, sensorielles ou mentales réduites ou dénuées d'expériences ou de connaissances, sauf si ces personnes sont correctement surveillées ou si des instructions relatives à l'utilisation correcte de l'appareil permettant d'éviter tout danger leur ont été communiquées.
 - Les enfants ne doivent pas jouer avec l'appareil.
 - Le nettoyage et l'entretien par l'utilisateur ne doivent pas être effectués par des enfants sans surveillance.
 - La pièce doit avoir une aération suffisante lorsque la hotte est utilisée conjointement avec d'autres appareils fonctionnant au gaz ou autres combustibles.
 - La hotte doit être régulièrement nettoyée à la fois à l'intérieur et à l'extérieur (AU MOINS UNE FOIS PAR MOIS); cela devrait se faire en conformité avec les instructions d'entretien. Le non respect des instructions expressément fournies concernant le nettoyage de la hotte et des filtres peut provoquer des risques d'incendie.
 - Ne pas flamber d'aliments sous la hotte.
 - Pour le remplacement de la lampe, utilisez uniquement le type de lampe spécifié dans la section remplacement/maintenance lampe dans ce manuel.
L'utilisation d'une flamme nue est dommageable pour les filtres et peut causer un incendie, par conséquent, il est déconseillé de l'utiliser.
- La friture doit être faite avec soin afin de s'assurer que l'huile surchauffée ne prenne pas feu.
- AVERTISSEMENT:** Lorsque la table de cuisson est en fonctionnement, les parties accessibles de la hotte peuvent devenir très chaudes.
- Ne pas brancher l'appareil au réseau électrique avant que l'installation ne soit complètement terminée.
 - En ce qui concerne les mesures techniques et de sécurité à prendre pour l'évacuation des fumées, respectez strictement les dispositions des règlements locaux.
 - L'air ne doit pas être envoyé dans un conduit utilisé pour évacuer les fumées d'appareils utilisant du gaz ou un autre combustible.
- ▲ ATTENTION !** Le défaut d'installer les vis et les dispositifs de fixation conformément à ces instructions peut entraîner des risques électriques.
- Ne pas utiliser ou laisser la hotte sans les lampes correctement montées, car un éventuel risque de choc électrique est possible.
 - N'utilisez jamais la hotte sans la grille montée correctement!
 - La hotte ne doit JAMAIS être utilisée comme une surface d'appui, sauf indication expresse.

- Utilisez uniquement les vis de fixation fournies avec le produit pour l'installation, ou, si non fournies, acheter le type correct de vis.
- Utilisez la longueur correcte pour les vis qui sont identifiées dans le Guide d'installation.
- En cas de doute, consultez votre centre de service agréé ou du personnel qualifié.

▲ ATTENTION ! Ne pas mettre en marche au moyen d'un programmeur, d'une minuterie, ou d'un système de commande à distance séparé ou tout autre dispositif qui met l'appareil sous tension automatiquement.

Les enfants de moins de 3 ans ne doivent pas s'approcher de l'appareil. Sans la surveillance constante d'un adulte, garder l'appareil hors de la portée des enfants de moins de 8 ans.

▲ ATTENTION : l'appareil ne peut être mis en marche par le biais d'un dispositif externe ou d'un système de commande à distance séparé.

▲ Cet appareil n'est pas destiné à un usage professionnel. Ne pas utiliser l'appareil à l'extérieur.

▲ Pour éviter le risque de lésions personnelles, l'appareil doit être déplacé et installé par deux ou plusieurs personnes.

▲ L'installation, comprenant éventuellement aussi les raccords pour l'alimentation hydriques (si prévus) et les branchements électriques, et les interventions de réparation doivent être effectués par un personnel qualifié.

Après avoir complété l'installation, conserver le matériel d'emballage (plastique, polystyrène, etc.) hors de la portée des enfants pour éviter le risque d'étouffement.

Ne jamais utiliser l'appareil pieds nus ou mouillés.

Ne jamais utiliser d'appareils de nettoyage à vapeur pour éviter le risque de choc électrique.



Comme indiqué par le symbole, le matériel d'emballage est 100 % recyclable

La hotte peut avoir des configurations esthétiques différentes par rapport à ce qui est illustré dans les dessins de ce manuel, cependant les instructions pour l'utilisation, l'entretien et l'installation restent identiques.

Suivre impérativement les instructions de cette notice. Le constructeur décline toute responsabilité pour tous les inconvénients, dommages ou incendies provoqués à l'appareil et dus à la non observation des instructions de la présente notice. Cet appareil est destiné à être utilisé dans des applications domestiques et analogues telles que : - des coins cuisines réservés au personnel dans des magasins, bureaux et autres environnements professionnels ; - des fermes ; - l'utilisation par les clients des hôtels, motels et autres environnements à caractère résidentiel ; - des environnements du type chambre d'hôtes.

- Il est important de conserver ce livret pour pouvoir le consulter à tout moment. En cas de vente, de cession ou de déménagement, assurez-vous que la notice d'utilisation l'accompagne.
- Veuillez lire attentivement les instructions, vous trouverez des informations importantes sur l'installation, le mode d'emploi et la sécurité.
- Ne pas effectuer des modifications électriques ou mécaniques sur le produit ou sur les conduits d'évacuation.
- Avant d'installer l'appareil, vérifiez qu'il n'y a aucun composant endommagé. Sinon, contactez votre revendeur et ne continuez pas l'installation.

• La distance minimum entre la superficie de support des récipients sur le dispositif de cuisson et la partie la plus basse de la hotte de cuisine ne doit pas être inférieure à 50cm dans le cas de cuisinières électriques et de 65 cm dans le cas de cuisinières à gaz ou mixtes.

Si les instructions d'installation du dispositif de cuisson au gaz spécifient une plus grande distance, il faut en tenir compte.

BRANCHEMENT ÉLECTRIQUE

La tension électrique doit correspondre à la tension reportée sur la plaque signalétique située à l'intérieur de la hotte. Si une prise est présente, branchez la hotte dans une prise murale conforme aux normes en vigueur et placée dans une zone accessible également après l'installation. Si aucune prise n'est présente (raccordement direct au circuit électrique), ou si la prise ne se trouve pas dans une zone accessible également après l'installation, appliquez un disjoncteur normalisé pour assurer de débrancher complètement la hotte du circuit électrique en conditions de catégorie surtension III, conformément aux réglementations de montage.

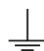
▲ ATTENTION! Avant de rebrancher le circuit de la hotte à l'alimentation électrique et d'en vérifier le fonctionnement correct, contrôlez toujours que le câble d'alimentation soit monté correctement.

Si le câble n'est pas équipé d'une fiche, branchez les fils selon le tableau suivant:

Tension principale et fréquence

Se référer à la valeur indiquée sur l'étiquette des caractéristiques à l'intérieur de la hotte.

Branchement des fils

 : jaune/vert
N : bleu
L : brun

Changement du câble d'alimentation

La hotte est pourvue d'un câble d'alimentation spécial; en cas de détérioration du câble, en demander un neuf au service d'assistance technique.

ÉVACUATION DE L'AIR

(pour les versions aspirantes)

Relier la hotte aux tubes et trous d'évacuation de la paroi d'un diamètre équivalent à la sortie de l'air (collier de raccord).

L'utilisation de tubes et des trous d'évacuation à paroi avec un diamètre inférieur entraînera une diminution des performances d'aspiration et une nette augmentation du bruit.

Nous déclinons toute responsabilité à cet égard.

- ! Utiliser un tuyau de la longueur strictement nécessaire.
- ! Les coudes du tuyau doivent être en nombre minime (angle maxi du coude: 90°).
- ! Éviter les variations excessives de section du tuyau.
- ! La société décline toute responsabilité si ces normes ne sont pas respectées.

FILTRANTE OU ASPIRANTE ?

! Votre hotte est prête pour être utilisée en version aspirante.

Pour utiliser la hotte en version filtrante, il faut installer le KIT ACCESSOIRES prévu.

Vérifier dans les premières pages de ce manuel si le KIT ACCESSOIRES est déjà fourni ou s'il faut l'acheter à part.

Remarque: Si fourni dans le kit, dans certains cas, le système de filtration supplémentaire à base de charbon actif pourrait déjà être installé dans la hotte.

Les informations pour la transformation de la hotte de version aspirante à version filtrante sont déjà contenues dans ce manuel.

Version aspirante

Les vapeurs sont évacuées vers l'extérieur à travers un conduit d'évacuation fixé à la bride de raccord qui se trouve au-dessus de la hotte.

▲ ATTENTION!

Le tuyau d'évacuation n'est pas fourni et doit être acheté à part.

Le diamètre du tuyau d'évacuation doit être égal à celui de la bride de raccord.

⚠ ATTENTION!

Si la hotte est équipée d'un filtre à charbon, ce dernier doit être enlevé.

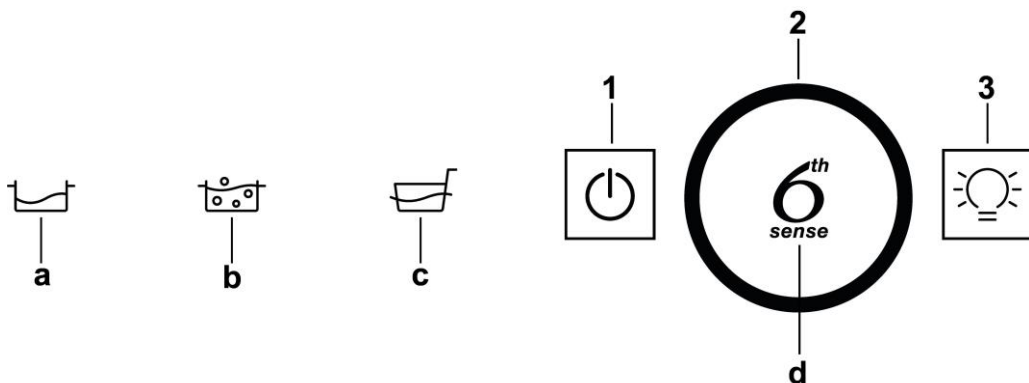
Version filtrante

L'air d'aspiration sera dégraissé et désodorisé avant d'être renvoyé dans la pièce.

Pour utiliser la hotte dans cette version, vous devez installer un système de filtrage supplémentaire basé sur charbon actif.

COMMANDES

La hotte est équipée d'un panneau de contrôle doté d'une commande de vitesse d'aspiration et d'une commande d'éclairage du plan de cuisson.



1. MARCHE/ARRÊT Moteur

2. Sélection de vitesse (augmentation/diminution)

Témoins :

a. fonctionnement à la vitesse d'extraction minimum

b. fonctionnement à la vitesse d'extraction moyenne

c. fonctionnement à la vitesse d'extraction maximum

d. fonctionnement à la vitesse d'extraction intensive

NB = la vitesse d'extraction intensive est paramétrée pendant 5 minutes, après quoi le moteur revient en vitesse moyenne.

3. Témoin ALLUMÉ/ÉTEINT

NB = la luminosité du rétroéclairage de commande augmente lorsque la fonction est en cours d'utilisation.

ENTRETIEN

Nettoyage

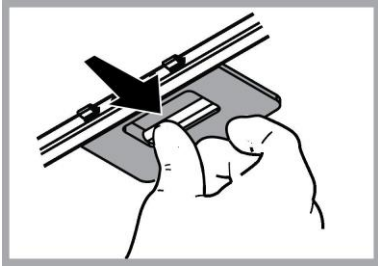
Pour le nettoyage, utiliser **EXCLUSIVEMENT** un chiffon humidifié avec des détergent liquides neutres. **NE PAS UTILISER D'OUTILS OU D'INSTRUMENTS POUR LE NETTOYAGE !** Éviter l'usage de produits abrasifs, **NE PAS UTILISER D'ALCOOL!**

Entretien des filtres anti-graisses

Il retient les particules de graisse issues de la cuisson.

Le filtre doit être nettoyé une fois par mois (ou lorsque le système d'indication de saturation des filtres – si prévu sur le modèle – indique cette nécessité) avec des détergents non agressifs, à la main ou dans le lave-vaisselle à faibles températures et cycle rapide.

Le lavage du filtre anti-graisse métallique au lave-vaisselle peut en provoquer la décoloration. Toutefois, les caractéristiques de filtrage ne seront en aucun cas modifiées. Pour démonter le filtre anti-graisse, tirer la poignée de décrochement à ressort.



Entretien des filtres au charbon

Retient les odeurs désagréables de cuisson.

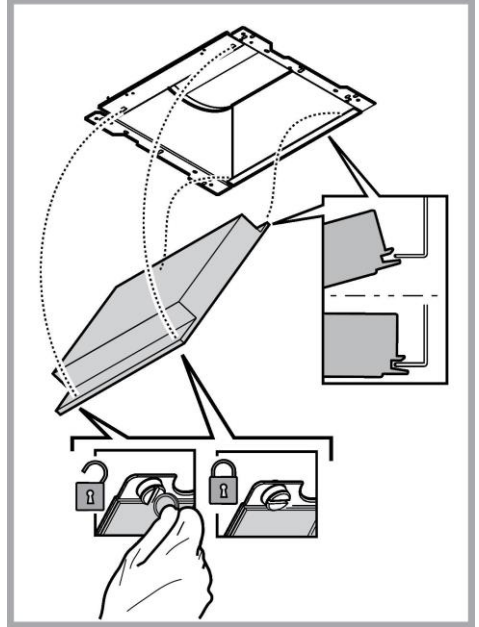
La saturation du charbon actif se constate après un emploi plus ou moins long, selon le type de cuisinière et de régularité du nettoyage du filtre à graisses. En tout cas, il est nécessaire de changer le filtre après, au maximum, quatre mois (ou lorsque le système d'indication de saturation des filtres – si prévu sur le modèle possédé – indique cette nécessité). **IL NE PEUT PAS** être nettoyé ou régénéré.

Montage

Accrocher le filtre au charbon actif d'abord à l'arrière de la languette métallique de la hotte, puis à l'avant avec les deux pommeaux.

Démontage

Enlever le filtre au charbon actif en tournant de 90° les pommeaux qui le fixent à la hotte.



Remplacement des lampes

La hotte est dotée d'un système d'éclairage basé sur la technologie LED.

Les LEDS garantissent un éclairage optimal, une durée jusqu'à 10 fois supérieures aux ampoules traditionnelles et permettent une épargne de 90% en énergie électrique.

Le système d'éclairage ne peut pas être remplacé par l'utilisateur ; en cas de dysfonctionnement, contacter le service d'assistance.

ÉLIMINATION

Cet appareil porte le symbole du recyclage conformément à la Directive Européenne 2012/19/EC - UK SI 2013 No.3113 concernant les Déchets d'Équipements Électriques et Électroniques (DEEE ou WEEE).

En procédant correctement à la mise au rebut de cet appareil, vous contribuerez à empêcher toute conséquence nuisible pour l'environnement et la santé de l'homme.



Le symbole présent sur l'appareil ou sur la documentation qui l'accompagne indique que ce produit ne peut en aucun cas être traité comme déchet ménager. Il doit par conséquent être remis à un centre de collecte des déchets chargé du recyclage des équipements électriques et électroniques.

Pour la mise au rebut, respectez les normes relatives à l'élimination des déchets en vigueur dans le pays d'installation.

Pour obtenir de plus amples détails au sujet du traitement, de la récupération et du recyclage de cet appareil, veuillez vous adresser au bureau compétent de votre commune, à la société de collecte des déchets ou directement à votre revendeur.

Appareil conçu, testé et fabriqué conformément aux normes suivantes :

- Sécurité : EN/IEC 60335-1; EN/IEC 60335-2-31, EN/IEC 62233.
- Performances : EN/IEC 61591; ISO 5167-1; ISO 5167-3; ISO 5168; EN/IEC 60704-1; EN/IEC 60704-2-13; EN/IEC 60704-3; ISO 3741; EN 50564; IEC 62301.
- EMC: EN 55014-1; CISPR 14-1; EN 55014-2; CISPR 14-2; EN/IEC 61000-3-2; EN/IEC 61000-3-3. Suggestions pour une utilisation correcte afin de réduire l'impact environnemental : Allumer la hotte à la vitesse minimum pendant la cuisson et la laisser fonctionner pendant quelques minutes après la fin de la cuisson. Augmenter la vitesse uniquement en présence d'une grande quantité de fumée ou de vapeur et n'utiliser la/les vitesse(s) accélérées que dans les cas extrêmes. Remplacer le(s) filtre(s) au charbon lorsque cela est nécessaire afin de maintenir une réduction efficace des odeurs. Nettoyer le(s) filtres à graisse lorsque cela est nécessaire afin de maintenir un filtrage efficace des graisses. Utiliser un système de tuyauterie du diamètre maximum indiqué dans ce manuel afin d'optimiser le rendement et de minimiser le bruit.



ANOMALIES DE FONCTIONNEMENT

En cas d'anomalie de fonctionnement, avant de faire appel au service d'assistance, effectuer les contrôles suivants:

- Si la hotte ne fonctionne pas:
S'assurer:
 - de l'absence de coupure de courant.
 - qu'une vitesse a été sélectionnée.
- Si la hotte a un faible rendement:
S'assurer:
 - que la vitesse du moteur sélectionnée est suffisante pour la quantité de fumée et de vapeurs libérées.
 - que la cuisine est insuffisamment aérée pour assurer une prise d'air.
 - que le filtre à charbon n'est pas usé (hotte en version filtrante).
- Si la hotte s'éteint durant son fonctionnement normal:
S'assurer:
 - de l'absence de coupure de courant.
 - que le dispositif d'interruption omnipolaire ne s'est pas déclenché.

Si la hotte ne fonctionne pas correctement, débranchez la prise pendant environ 5 secondes, puis rebranchez-la. Si le problème persiste, contactez le service de réparation compétent.

DONNÉES TECHNIQUE

Hauteur (cm)	Largeur (cm)	Profondeur (cm)	Ø de tube d'évacuation (cm)
 67-110  76-110	100	60	15

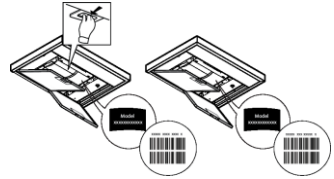


Éléments non fournis avec la hotte



Vous pouvez télécharger les consignes de sécurité, le manuel de l'utilisateur, la fiche produit et les données énergétiques en :

- Visitant notre site internet docs.whirlpool.eu
- Utilisant le Code QR
- Vous pouvez également **contacter notre service après-vente** (voir numéro de téléphone dans le livret de garantie). Lorsque vous contactez notre Service Après-vente, veuillez indiquer les codes visibles sur la plaque signalétique de l'appareil.



SEGURIDAD GENERAL

- Antes de llevar a cabo cualquier operación de limpieza o mantenimiento, desconectar la campana de la alimentación eléctrica desenchufando la clavija o desconectando el interruptor general de la vivienda.
 - Para todas las operaciones de instalación y mantenimiento utilizar los guantes de trabajo.
 - El aparato puede ser usado por niños mayores a 8 años y por personas con discapacidades físicas, sensoriales o mentales, o con falta de experiencia o de conocimiento necesario, previsto que estén bajo vigilancia o después de que las mismas hayan recibido instrucción relacionada con el uso seguro del aparato y de la comprensión de los peligros inherentes a éste.
 - Los niños deben ser supervisados para asegurarse de que no jueguen con el aparato.
 - La limpieza y el mantenimiento no deben ser realizados por niños sin debida supervisión.
 - La habitación debe estar suficientemente ventilada cuando la campana se utiliza contemporáneamente con otros dispositivos a combustión de gas u otros combustibles.
 - La campana debe ser limpiada con frecuencia, tanto internamente como externamente (POR LO MENOS UNA VEZ AL MES), en todo caso seguir lo que se indica expresamente en las instrucciones de mantenimiento.
 - La inobservancia de las normas de limpieza de la campana y del cambio y la limpieza puede comportar riesgo de incendios.
 - Es estrictamente prohibido flamear los alimentos bajo la campana.
 - Para la sustitución de la lámpara sólo utilizar el tipo de lámpara indicado en la sección de mantenimiento/sustitución de este manual.
- El uso de una llama libre es perjudicial para los filtros y puede provocar incendios, por lo tanto, debe evitarse en cualquier caso.
- Los fritos debe realizarse con cuidado para evitar que el aceite caliente prenda fuego.
- ATENCIÓN:** Cuando la placa de cocción está funcionando las partes accesibles de la campana pueden calentarse.
- No conectar la unidad a la red eléctrica hasta que la instalación sea totalmente completada.
 - En cuanto a las medidas técnicas y de seguridad a adoptar para la descarga de los humos, seguir estrictamente lo previsto por los reglamentos de las autoridades locales competentes.
 - El aire aspirado no debe ser transportado en un conducto usado para la descarga de humos producidos por dispositivos de combustión a gas u otros combustibles.
- ▲ ¡ATENCIÓN!** Si no se instalan los tornillos y elementos de fijación de acuerdo con estas instrucciones se puede incurrir en riesgos de naturaleza eléctricos.
- No utilizar ni dejar la campana sin las luces correctamente instaladas debido al posible riesgo de descarga eléctrica.
 - No utilizar nunca la campana sin la rejilla montada correctamente!

- La campana NUNCA debe utilizarse como una superficie de apoyo a menos que así se indique específicamente.
- Utilizar sólo los tornillos para fijación suministrados con el producto para su instalación, o, si no se suministran, comprar el tipo correcto de tornillos. Utilizar la longitud correcta para los tornillos que se identifican en la Guía de instalación.
- En caso de duda, consultar el centro de asistencia autorizado o un similar personal calificado.

⚠ ¡ATENCIÓN! No utilizar con un programador, temporizador, mando a distancia separado o cualquier otro dispositivo que se active automáticamente.

Mantener a los niños menores de 3 años alejados del equipo. Sin la vigilancia constante de un adulto, mantener el equipo alejado del alcance de niños menores de 8 años.

⚠ ATENCIÓN: el equipo no está destinado para ser puesto en funcionamiento mediante un dispositivo externo o un sistema de mando a distancia separado.

⚠ Este equipo no está destinado al uso profesional. No utilizar el equipo al abierto.

⚠ Para evitar el riesgo de lesiones personales, el equipo debe ser movilizado e instalado por dos o más personas.

⚠ La instalación, incluye además eventuales empalmes para la alimentación hídrica (si están previstos) y las conexiones eléctricas, y las intervenciones de reparación deben ser realizadas por personal cualificado.

Al finalizar la instalación, conservar el material de embalaje (partes en plástico, polistireno, etc.) fuera del alcance de los niños para evitar el riesgo de asfixia.

No utilizar el equipo cuando se está mojado o descalzo.

Nunca utilizar equipos para limpieza a vapor – riesgo de descarga eléctrica.

El material del embalaje es reciclable al 100% y está marcado con el símbolo de reciclaje



La campana puede ser diferente con respecto a los dibujos de este manual, aunque las instrucciones para su uso, la manutención y la instalación son las mismas.

Aténgase estrictamente a las instrucciones del presente manual. Se declina cada responsabilidad por eventuales inconvenientes, daños o incendios provocados al aparato originados por la inobservancia de las instrucciones colocadas en este manual. La campana extractora ha sido ideada para la aspiración de humos y vapores producidos durante la cocción y para el uso doméstico.

- Es importante guardar este manual para poder consultar si fuera necesario. En el caso de venta, de inutilidad o de mudanza, asegurarse que quede junto al producto.
- Leer atentamente las instrucciones: contiene importantes informaciones sobre la instalación, el uso y la seguridad.
- No realizar variaciones eléctricas o mecánicas en el producto o en el tubo de escape.
- Antes de instalar el aparato, controlar que todas sus partes no estén dañadas. En caso contrario llamar al revendedor y no realizar la instalación.

• La distancia mínima entre la superficie de cocción y la parte más baja de la campana no debe ser inferior a 50cm en el caso de cocinas eléctricas y de 65cm en el caso de cocinas a gas o mixtas.

Si las instrucciones para la instalación del dispositivo para cocinar con gas especifican una distancia mayor, hay que tenerlo en consideración.

CONEXIÓN ELÉCTRICA

La tensión de red debe corresponder con la tensión indicada en la etiqueta colocada en el interior de la campana. Si es suministrada con un enchufe, conectar la campana a un enchufe conforme a las normas en vigor y colocarlo en una zona accesible, aun después de la instalación. Si no es suministrada con enchufe (conexión directa a la red) o clavija y no es posible situarla en un lugar accesible, aun después de la instalación, colocar un interruptor bipolar de acuerdo con las normativas, para asegurarse la desconexión completa a la red en el caso de la categoría de alta tensión III, conforme con las reglas de instalación.

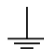
▲ ATENCIÓN! Antes de reconectar el circuito de la campana a la red y de verificar el correcto funcionamiento, controlar siempre que el cable de red fue montado correctamente.

Si el cable no dispone de enchufe, conecte los cables tal como indica la siguiente tabla:

Tensión y frecuencia de la red eléctrica

Consultar el valor indicado en la etiqueta de características dentro de la campana.

Conexión por cable

 : amarillo/verde
N : azul
L : marrón

Sustitución del cable de alimentación

La campana está provista de un cable de alimentación especial; si el cable se daña, solicite uno nuevo al Servicio de Asistencia Técnica.

EXTRACCIÓN DE AIRE

(Para las versiones aspirantes) Conectar la campana en los tubos y en los orificios de escape de pared con diámetro equivalente a la salida del aire (brida de empalme).

El uso de tubos u orificios de escape de pared con diámetro inferior, determinará una reducción de los rendimientos de la aspiración y un drástico aumento del ruido.

Se deslinda responsabilidad.

- ! Utilice un conducto cuya longitud sea la mínima indispensable.
- ! Utilice un conducto con el menor número posible de curvas (ángulo máximo de la curva: 90°).
- ! Evite los cambios drásticos en la sección del conducto
- ! La empresa declina cada responsabilidad en caso de que estas normas no sean respetadas!

¿ FILTRANTE O ASPIRANTE ?

! Su campana extractora está lista para ser usada en versión aspirante.

Para utilizar la campana en versión filtrante se instala el KIT ACCESORIO.

Controle en las primeras paginas de este manual si el KIT ACCESORIO ya está proveído o si hay que comprarlo.

Nota: Si proveído, en algunos casos, el sistema de filtración añadido a base de carbones activos podría estar ya instalado en la campana.

Las informaciones para la transformación de la campana en versión aspirante a versión filtrante ya están presentes en este manual.

Versión aspirante

El vapor es evacuado hacia el exterior a través de un tubo de escape introducido en el aro de sujeción que se encuentra arriba de la campana.

▲ ATENCIÓN!

El diámetro del tubo de escape debe ser igual al diámetro del aro de sujeción.

⚠ ATENCIÓN!

Si la campana está provista de filtro de carbón, hay que sacarlo.

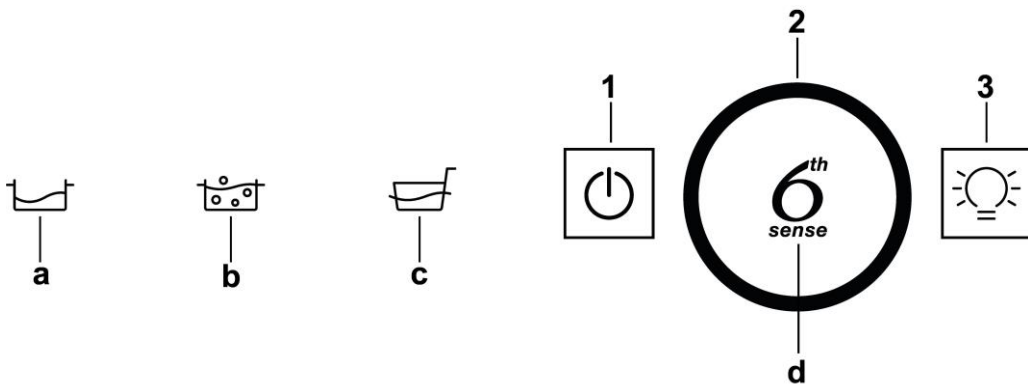
Versión filtrante

El aire aspirado vendrá desgrasado y desodorizado antes de ser alimentado de nuevo en la habitación.

Para utilizar la campana en esta versión es necesario instalar un sistema de filtración adicional a base de carbón activado.

MANDOS

La campana está dotada de un panel de mandos con control de las velocidades de aspiración y control de encendido de la luz para la iluminación del plano de cocción.



1. Motor Encendido/Apagado
2. Selección de velocidad (aumentar/reducir)

Indicadores luminosos:

- a. funcionando a la mínima velocidad de extracción
- b. funcionando a una velocidad de extracción media
- c. funcionando a la máxima velocidad de extracción
- d. funcionando a una velocidad de extracción intensiva

Nota = la velocidad de extracción intensiva funciona durante 5 minutos y después el motor vuelve a la velocidad media.

3. Luz Encendida/Apagada

Nota = el brillo de la iluminación de los controles aumenta cuando la función está en uso.

MANTENIMIENTO

Limpeza

Para la limpieza, utilice **EXCLUSIVAMENTE** un paño impregnado de detergente líquido neutro. **¡NO UTILICE UTENSILIOS O INSTRUMENTOS PARA LA LIMPIEZA!** No utilice productos que contengan abrasivos. **¡NO UTILICE ALCOHOL! ¡NO UTILICE DESINFECTANTES NI PRODUCTOS QUE CONTENGAN CLORO!**

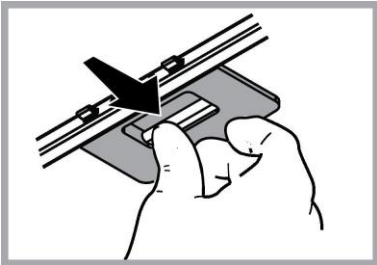
Mantenimientos de los filtros antigrasa

Retiene las partículas de grasa producidas cuando se cocina.

Debe limpiarse una vez al mes (o cuando el sistema de indicación de saturación de los filtros - si está previsto en el modelo que se posee - indica esta necesidad) con detergentes no agresivos, manualmente con un cepillo de cerdas suaves o bien en lavavajillas a bajas temperaturas y con ciclo breve.

Con el lavado en el lavavajilla el filtro antigrasa metálico puede desteñirse pero sus características de filtrado no cambian absolutamente.

Para desmontar el filtro antigrasa, tirar de la manija de desenganche de muelle.



Mantenimiento del filtro al carbón

Retiene los olores desagradables producidos por la cocción de alimentos.

El filtro de carbón activado se satura después de un tiempo de uso, dependiendo del tipo de cocción de alimentos y la regularidad con que se limpia el filtro de grasa. En cualquier caso es necesario sustituir el cartucho al menos cada 4 meses (o cuando el sistema de indicación de saturación de los filtros - si está previsto en el modelo que se posee - indica esta necesidad).

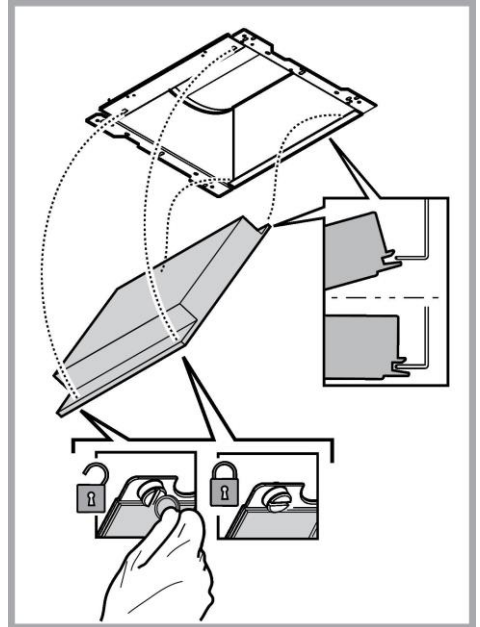
NO puede lavarse o reciclarse.

Montaje

Enganchar el filtro de carbón activo primero, posteriormente sobre la pestaña metálica de la campana, y después en la parte anterior con las dos perillas.

Desmontaje

Quitar el filtro de carbón activo girando 90° grados las perillas que lo fijan a la campana.



Sustitución de la lámpara

La campana viene provista de un sistema de iluminación basado en la tecnología LED.

Los LEDS garantizan una óptima iluminación, una duración hasta 10 veces mayor de las lámparas tradicionales y permiten ahorrar el 90% de energía eléctrica. .


El sistema de iluminación no es sustituible por el usuario, en caso de mal funcionamiento póngase en contacto con el servicio de asistencia técnica.

ELIMINACIÓN

Este aparato lleva el marcado CE en conformidad con la Directiva 2012/19/EC - UK SI 2013 No.3113 del Parlamento Europeo y del Consejo sobre residuos de aparatos eléctricos y electrónicos (RAEE).

La correcta eliminación de este producto evita consecuencias negativas para el medioambiente y la salud.



El símbolo  en el producto o en los documentos que se incluyen con el producto, indica que no se puede tratar como residuo doméstico. Es necesario entregarlo en un punto de recogida para reciclar aparatos eléctricos y electrónicos.

Deséchelo con arreglo a las normas medioambientales para eliminación de residuos.

Para obtener información más detallada sobre el tratamiento, recuperación y reciclaje de este producto, póngase en contacto con su Municipalidad, con el servicio de eliminación de residuos urbanos o la tienda donde adquirió el producto.

Aparato diseñado, probado y fabricado de acuerdo con:

- Seguridad: EN/IEC 60335-1; EN/IEC 60335-2-31, EN/IEC 62233.
- Prestación: EN/IEC 61591; ISO 5167-1; ISO 5167-3; ISO 5168; EN/IEC 60704-1; EN/IEC 60704-2-13; EN/IEC 60704-3; ISO 3741; EN 50564; IEC 62301.
- EMC: EN 55014-1; CISPR 14-1; EN 55014-2; CISPR 14-2; EN/IEC 61000-3-2; EN/IEC 61000-3-3. Sugerencias para un uso correcto con el fin de reducir el impacto ambiental: Encienda la campana a la velocidad mínima cuando empiece a cocinar y mantenga en marcha durante unos minutos después de haber acabado de cocinar. Aumente la velocidad solo si se produjera una gran cantidad de humo y vapor y use la velocidad o velocidades turbo solo en situaciones extremas. Cambie el filtro o filtros de carbón cuando sea necesario para mantener un buen rendimiento en la reducción de los olores. Limpie el filtro o filtros de grasa cuando sea necesario para mantener un buen rendimiento del filtro de grasa. Utilice el diámetro máximo del sistema de conductos indicado en este manual, para optimizar el rendimiento y minimizar el ruido.

ANOMALÍAS DE FUNCIONAMIENTO



Si alguna pieza parece no funcionar, realice los siguientes controles antes de llamar al Servicio de Asistencia:

- Si la campana no funciona:
Compruebe que:
 - no haya interrupciones de corriente.
 - se haya seleccionado una velocidad.
- Si la campana presenta un rendimiento escaso:
Compruebe que:
 - La velocidad del motor seleccionada es suficiente para la cantidad de humo y vapores emitida.
 - La cocina está suficientemente ventilada para permitir una toma de aire.
 - el filtro de carbón no está gastado (campana en versión filtrante).
- Si la campana se ha apagado durante el funcionamiento normal:
Compruebe que:
 - no haya interrupciones de corriente.
 - el dispositivo de interrupción omnipolar no se ha disparado.

En caso de eventuales anomalías en el funcionamiento, antes de dirigirse al servicio de asistencia, desconectar el aparato de la alimentación eléctrica, extrayendo el enchufe al menos durante 5 segundos, y después conectarlo nuevamente. Si la anomalía de funcionamiento no desaparece, dirigirse al servicio de asistencia.



DATOS TÉCNICOS

Alto (cm)	Ancho (cm)	Fondo (cm)	Ø del tubo de salida (cm)
 67-110	100	60	15
 76-110			

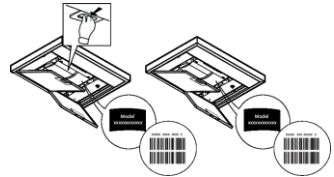


Componentes no suministrados con el producto



Puede descargarse las instrucciones de seguridad, el Manual del usuario, la Ficha del producto y los Datos de energía:

- Visitando nuestra página web docs.whirlpool.eu
- Usando el código QR
- También puede, **ponerse en contacto con nuestro Servicio postventa** (Consulte el número de teléfono en el folleto de la garantía). Cuando se ponga en contacto con nuestro Servicio Postventa, deberá indicar los códigos que figuran en la placa de características de su producto.



ALGEMENE VEILIGHEID

- Zorg voordat u de afzuigkap schoonmaakt of onderhoudt eerst dat hij geen stroom heeft door de stekker uit het stopcontact te halen, de tweepolige schakelaar uit te zetten of de betreffende elektriciteitsgroep geheel uit te schakelen.
 - Draag tijdens installatie en onderhoud altijd werkhandschoenen.
 - Dit apparaat is geschikt voor bediening door kinderen vanaf 8 jaar, personen met lichamelijke, zintuiglijke of verstandelijke beperkingen, onervaren personen en degenen die over onvoldoende kennis beschikken, onder voorwaarde dat ze hierbij eerst worden begeleid en geïnstrueerd over veilig gebruik en bediening van het apparaat, en voldoende inzicht hebben in de bijbehorende gevaren.
 - Laat kinderen niet aan de knoppen zitten of met het apparaat spelen.
 - Schoonmaken en onderhoud door kinderen van voor de gebruiker toegankelijke onderdelen mag alleen onder toezicht van een volwassene.
 - Wanneer de afzuigkap wordt gebruikt voor apparaten die op gas of een andere brandstof werken, moet de ruimte waar de apparaten zijn geïnstalleerd voldoende worden geventileerd.
 - De afzuigkap moet regelmatig van binnen en van buiten worden schoongemaakt (MINSTENS 1 KEER PER MAAND).
 - Hierbij moeten de verstrekte onderhoudsinstructies worden opgevolgd. Als de verstrekte instructies voor het reinigen van de afzuigkap en de filters niet worden opgevolgd, ontstaat de kans op brand.
 - U mag niets flamberen onder de afzuigkap.
 - Vervang de lampen uitsluitend door het type dat staat aangegeven onder "Onderhoud > Lampjes vervangen" van deze gids.
- Blootstellen aan vlammen is slecht voor de filters en kan tot brand leiden. Dit moet dus onder alle omstandigheden worden vermeden. Werk bij bakken en braden dus extra zorgvuldig en zorg dat vet of olie niet oververhit raakt en in brand vliegt.
- LET OP: het is mogelijk dat toegankelijke onderdelen van de afzuigkap heet worden tijdens het afvoeren van kookdampen.
- Sluit het apparaat niet op het lichtnet aan voordat de installatie is voltooid.
 - Bij technische maatregelen en veiligheidsmaatregelen voor installaties die kookdampen afvoeren, is het belangrijk dat de lokale wet- en regelgeving nauwkeurig wordt gevolgd.
 - De afgezogen lucht mag niet worden afgevoerd naar een uitvoer voor dampen van apparaten die op gas of andere brandstoffen werken.
- ▲ WAARSCHUWING!** Wanneer niet de in deze instructies vermelde schroeven worden gebruikt of als het apparaat niet volgens deze instructies wordt bevestigd, kunnen elektrische risico's ontstaan.
- Zorg dat de lamp op de juiste manier is geplaatst omdat anders de kans ontstaat op elektrische schokken, zelfs als de kap niet wordt gebruikt.
 - Gebruik de afzuigkap nooit zonder op de juiste manier geplaatste roosters.

- Laat **NOOIT** andere zaken op de afzuigkap rusten, tenzij specifiek aangegeven.
- Gebruik voor de installatie alleen de meegeleverde schroeven, of koop schroeven van het juiste type.
- Raadpleeg de installatiegids voor de correcte afmetingen van de schroeven.
- Raadpleeg bij twijfel een geautoriseerd service center of iemand met vergelijkbare kwalificaties.

▲ WAARSCHUWING! Sluit het product niet aan op een (programmeerbare) timer, externe afstandsbediening of ander apparaat waardoor het product automatisch wordt ingeschakeld.

Houd kinderen jonger dan 3 jaar uit de buurt van het apparaat. Zonder het voortdurende toezicht van een volwassene moeten kinderen jonger dan 8 jaar uit de buurt van het apparaat gehouden worden.

▲ OPGELET: het apparaat is niet bedoeld om in werking te worden gesteld door middel van een extern apparaat of een afzonderlijk afstandsbedieningssysteem.

▲ Dit apparaat is niet bedoeld voor een professioneel gebruik. Gebruik het apparaat niet in de open lucht.

▲ Om het risico op persoonlijk letsel te voorkomen, moet het apparaat verplaatst en geïnstalleerd worden door twee of meer personen.

▲ De installatie, waaronder ook de eventuele aansluiting op de watervoorziening (indien voorzien) en de elektrische aansluitingen, evenals de reparatie-ingrepen moeten worden uitgevoerd door gekwalificeerd personeel.

Na het voltooiën van de installatie moet het verpakkingsmateriaal (plastic, polystyreen, enz.) buiten het bereik van kinderen bewaard worden om verstikkingsgevaar te voorkomen. .

Gebruik het apparaat niet wanneer u nat bent of op blote voeten.

Gebruik voor de reiniging nooit stoomreinigers - gevaar voor elektrische schokken.

Het verpakkingsmateriaal is 100% recycleerbaar en is gemarkeerd met het betreffende symbool



De afzuigkap kan er anders uitzien dan de afbeeldingen in dit boekje. De instructies voor bediening, onderhoud en installatie blijven echter hetzelfde.

Houd u altijd aan de instructies in deze gids. Wij aanvaarden geen enkele aansprakelijkheid voor problemen, schade of brand die voortvloeien uit nalatigheid, zoals het niet opvolgen van de instructies in deze gids. Dit apparaat is bedoeld voor huishoudelijk gebruik en vergelijkbare toepassingen zoals: - personeelskeukens in winkels, kantoren en andere werkomgevingen; - boerderijen; - gebruik door klanten in hotels, motels en andere verblijfsomgevingen zoals bed and breakfast.

- Het is belangrijk om dit boekje goed te bewaren zodat u er altijd dingen in kan opzoeken. Zorg dat het boekje bij verhuizing, verkoop of overdracht met het apparaat meegaat.
- Lees de instructies zorgvuldig: het gaat hier om belangrijke informatie over installatie, bediening, onderhoud en veiligheid.
- Voer nooit zelf elektrische of mechanische veranderingen uit op het product of de afvoerbuizen.
- Controleer alle onderdelen op beschadigingen voordat u verder gaat met de installatie van het apparaat. Neem bij beschadiging contact op met uw leverancier, en begin niet aan de installatie.

• De minimale afstand tussen het kookoppervlak en de onderkant van de afzuigkap is 50cm bij een elektrische kookplaat en 65 cm, in geval van een gas- of gemengd fornuis. Als in de installatie-instructies van een gaskookplaat een grotere afstand wordt genoemd, moet de grotere afstand worden gebruikt.

ELEKTRISCHE AANSLUITING

De aansluiting op het lichtnet moet overeenkomen met de waarde op het plaatje aan de binnenkant van de afzuigkap. Als de afzuigkap een stekker heeft, moet deze in een stopcontact dat aan de nieuwste regelgeving voldoet en ook na de installatie bereikbaar blijft. Als het product geen stekker heeft (rechtstreekse aansluiting op lichtnet), of als de stekker na de installatie niet meer bereikbaar is, moet gebruik worden gemaakt van een tweepolige aan/uitschakelaar, zodat het product (bijvoorbeeld bij een te hoge stroomsterkte, categorie III) geheel kan worden losgekoppeld van het lichtnet.


▲ WAARSCHUWING! Controleer eerst of het netsnoer correct is gemonteerd voordat de afzuigkap op het lichtnet wordt aangesloten om de juiste werking te controleren.

Als de kabel niet is voorzien van een stekker, sluit u de kabels aan overeenkomstig de volgende tabel:

Spanning en frequentie net

Vervijs naar de waarde aangegeven op het typeplaatje dat is aangebracht in de afzuigkap.

Aansluiting draden

 : geel/groen
N : blauw
L : bruin

Vervanging van de voeding

De afzuigkap wordt geleverd met een speciaal netsnoer. Als dit snoer beschadigd is, moet u een nieuw exemplaar aanvragen bij de technische dienst.

LUCHTAFVOER

(afzuigend apparaat)

Sluit de afzuigkap aan op een buis met dezelfde doorsnede als de luchtafvoer van de kap (aansluitflens). Deze diameter geldt ook voor eventuele doorvoeropeningen voor de afvoerbuiskap.

Een doorvoeropening en/of buis met een kleinere doorsnede verlaagt de zuigkracht en leidt tot een enorme toename van de geluidsproductie.

Wij aanvaarden in dit verband dan ook geen enkele verantwoordelijkheid.

- Houd de buis zo kort mogelijk.
- Gebruik zo weinig mogelijk elleboogkoppelingen (maximale hoek hiervan: 90°).
- Vermijd grote variaties in de doorsnede van de afvoerbuiskap.

! Het bedrijf wijst iedere aansprakelijkheid af indien deze voorschriften niet in acht worden genomen.

FILTEREND OF AFZUIGEND APPARAAT ?

! Uw afzuigkap is ingesteld om als afzuigend apparaat te worden gebruikt.

Om de kap als filterend apparaat te gebruiken dient de betreffende TOEBEHOREN SET gemonteerd te worden.

Controleer op de eerste pagina's van deze handleiding of de TOEBEHOREN SET wordt meegeleverd of gekocht moet worden.

Opmerking: Indien de set meegeleverd wordt, kan, in enkele gevallen, het extra actieve koolstoffilter reeds op de kap gemonteerd zijn.

De inlichtingen om de kap van afzuigend apparaat in filterend apparaat om te zetten zijn in deze handleiding te vinden.

Uitvoering als afzuigend apparaat

Hierbij wordt de afgevoerde lucht uit het pand gevoerd via een speciaal hiervoor geconstrueerde buis die gekoppeld is aan de aansluiting aan de bovenkant van de afzuigkap.

▲ LET OP!

De afvoerbuiskap wordt niet meegeleverd en moet afzonderlijk worden aangeschaft. De afvoerbuiskap moet dezelfde doorsnede hebben als de aansluiting.

LET OP!

Als de afzuigkap is geleverd met een actief koolfilter, moet dit worden verwijderd.

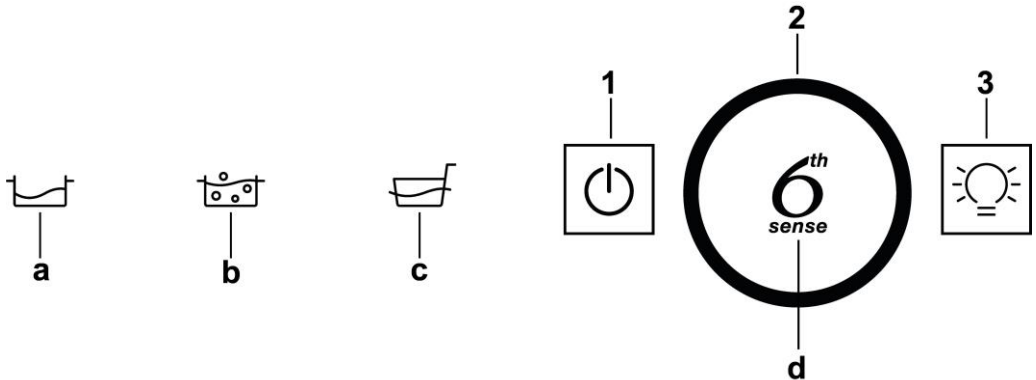
Filtrende versie

De verwijderde lucht wordt ontvet en ontgeurd en vervolgens weer teruggeleid naar de betreffende ruimte.

Om de afzuigkap in deze vorm te gebruiken, moet een extra filtersysteem op basis van geactiveerde kool zijn geïnstalleerd.

BEDIENINGSELEMENTEN

De kap is voorzien van een bedieningspaneel met een schakelaar voor de snelheid van afzuiging en een schakelaar voor de verlichting van het fornuis.



1. Motor ON/OFF
2. Keuze snelheid (toename/afname)
Controlelampjes:
 - a. draait aan minimale extractiesnelheid
 - b. draait aan gemiddelde extractiesnelheid
 - c. draait aan maximale extractiesnelheid
 - d. draait aan intensieve extractiesnelheid**NB** = de intensieve extractiesnelheid duurt 5 minuten, waarna de motor weer overschakelt op de gemiddelde snelheid.
3. Lampje ON/OFF

NB = de helderheid van de achterverlichting neemt toe wanneer de functie in gebruik is.

ONDERHOUD

Schoonmaak

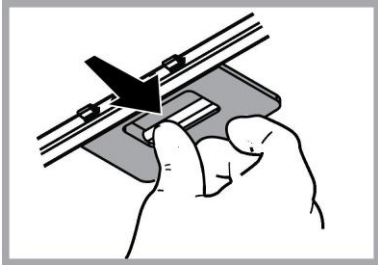
ALLEEN reinigen met een doek die is bevochtigd met een neutraal vloeibaar schoonmaakmiddel. **GEBRUIK BIJ HET REINIGEN GEEN GEREEDSCHAPPEN OF ANDERE VOORWERPEN.** Gebruik geen schuurmiddelen. **GEBRUIK GEEN ALCOHOL!**

Onderhoud van de vetfilters

Vangt vetdeeltjes op uit de kookdampen.

Moet één keer per maand worden gereinigd (of als de aanwijzer verzadigde filters – indien aanwezig op het model in Uw bezit – deze noodzaak aangeeft) met neutrale reinigingsmiddelen, met de hand of in de vaatwasmachine op lage temperaturen en met een kort programma. Door hem in de vaatwasmachine te wassen kan het metalen vetfilter ontkleuren, maar dit is niet van invloed op de eigenschappen, die beslist niet veranderen.

Trek aan de verende hendel om het vetfilter te verwijderen.



Onderhoud van het koolstoffilter

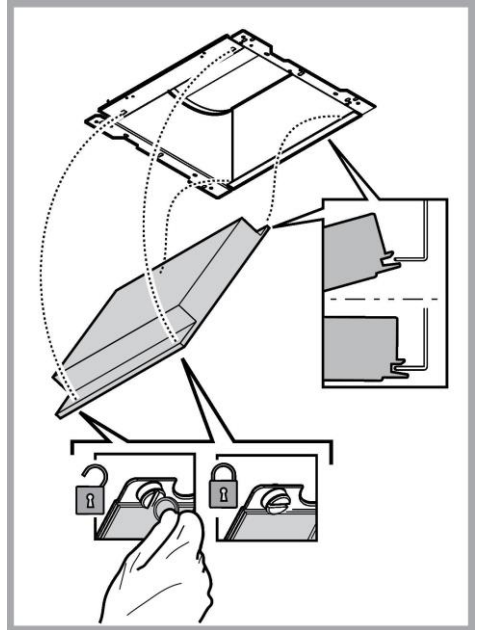
Absorbeert ongewenste kookgeurtjes. De verzadiging van de koolstoffilter vindt plaats na een min of meer geprolongerd gebruik en hangt af van het soort koken en de regelmaat waarmee de vetfilter wordt gewassen. In ieder geval moet de filter minstens om de 4 maanden (of als de aanwijzer verzadigde filters – indien aanwezig op het model in Uw bezit – deze noodzaak aangeeft) vervangen worden. Het kan NIET gewassen of opnieuw gebruikt worden

Montage

Haak eerst het koofilter aan de achterkant van de metalen lip van de afzuigkap, en zet het daarna vast met de twee knoppen aan de voorkant.

Demontage

Verwijder het koofilter door de bevestigingsknoppen op de afzuigkap een kwartslag te draaien.



Vervanging lampjes

De verlichting van de afzuigkap maakt gebruik van LED-technologie.

Dankzij de LEDS bent u verzekerd van optimale verlichting, een levensduur tot 10 keer zo lang als gewone lampen en een energiebesparing tot 90%.


Het verlichtingssysteem kan niet door de gebruiker vervangen worden: neem in geval van storingen contact op met de servicedienst.

VERWIJDERING

Dit toestel is gemarkeerd in overeenstemming met Europese richtlijn 2012/19/EC - UK SI 2013 No.3113 betreffende afgedankte elektrische en elektronische apparatuur (AEEA).

Zorg aan het einde van de levensduur van het apparaat dat het op de juiste manier wordt afgevoerd en verwerkt. Zo voorkomt u negatieve gevolgen voor volksgezondheid en milieu.



Het pictogram  op het product en/of in de bijbehorende documenten geeft aan dat dit apparaat niet als normaal huishoudelijk afval mag worden behandeld. Het product dient te worden afgegeven bij een officieel innamepunt voor elektrische en elektronische apparatuur om gerecycled te worden. Afvoer en verwerking moet worden uitgevoerd volgens plaatselijke milieu-regelgeving. Neem voor nadere informatie over inzamelen, verwerken en recyclen van dit product contact op met de betreffende afdeling van de lokale overheid, of de afdeling van uw leverancier die verantwoordelijkheid draagt voor afvalverwerking.

Toestel ontworpen, getest en gefabriceerd volgens:

- Veiligheid: EN/IEC 60335-1; EN/IEC 60335-2-31, EN/IEC 62233.
- Prestaties: EN/IEC 61591; ISO 5167-1; ISO 5167-3; ISO 5168; EN/IEC 60704-1; EN/IEC 60704-2-13; EN/IEC 60704-3; ISO 3741; EN 50564; IEC 62301.
- EMC: EN 55014-1; CISPR 14-1; EN 55014-2; CISPR 14-2; EN/IEC 61000-3-2; EN/IEC 61000-3-3. Suggesties voor correct gebruik om impact op het milieu te verkleinen: zet de afzuigkap aan op de laagste snelheid wanneer u gaat koken en laat hem na afloop nog een paar minuten doorlopen. Kies alleen een hogere snelheid bij grote hoeveelheden damp of rook en gebruik de hoge snelheid/snelheden (Boost) alleen voor extreme omstandigheden. Vervang tijdig de koolfilter(s) om de afzuiging van kookgeurtjes zo effectief mogelijk te houden. Vervang tijdig vetfilter(s) om de gevolgen van vetafzetting zo effectief mogelijk tegen te gaan. Gebruik buizen van de maximale doorsnede zoals vermeld in deze gids, voor optimale efficiëntie en minimale geluidproductie.



STORINGEN

Bij een storing van de afzuigkap, voer de volgende controles uit alvorens de Technische Dienst te raadplegen:

- Als de afzuigkap niet functioneert:
Controleer of: Controleer dat:
 - er geen stroomonderbreking is.
 - er een snelheid is geselecteerd.
- Bij een laag rendement van de afzuigkap:
Controleer of: Controleer dat:
 - de ingestelde snelheid volstaat voor de afgegeven hoeveelheid rook en dampen.
 - de keuken is voldoende geventileerd voor een correcte luchttoevoer.
 - de koolstoffilter niet is verzadigd (i.g.v. recirculatie).
- het uitvallen van de afzuigkap tijdens de normale werking heeft plaatsgevonden.
Controleer of: Controleer dat:
 - er geen stroomonderbreking is.
 - de omnipolaire schakelaar niet is opgetreden.

In geval van storingen, voordat U zich tot de assistentie service wendt, minstens 5 seconden het apparaat van de elektrische voeding doen, door de stekker uit te trekken, en daarna weer invoeren. In het geval dat de storing blijft voortbestaan, wendt U zich tot de assistentie service.

TECHNISCHE GEGEVENS

Højde (cm)	Bredde (cm)	Dybde (cm)	Ø på udsugningsrør (cm)
 67-110	100	60	15
 76-110			

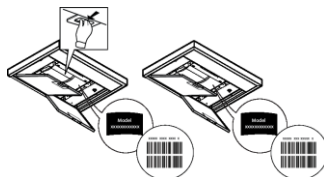


Niet meegeleverde onderdelen



U kunt de Veiligheidsinstructies, de Handleiding, de Productfiche en de Energiegegevens downloaden:

- Op onze website docs.whirlpool.eu
- Gebruik makend van de QR-code
- Anders, **contacteer onze Klantenservice** (Het telefoonnummer staat in het garantieboekje). Wanneer u contact neemt met de Klantenservice, gelieve de codes te vermelden die op het identificatieplaatje van het apparaat staan.



SICUREZZA GENERALE

- Prima di qualsiasi operazione di pulizia o manutenzione, disinserire la cappa dalla rete elettrica togliendo la spina o staccando l'interruttore generale dell'abitazione.
 - Per tutte le operazioni di installazione e manutenzione utilizzare guanti da lavoro.
 - L'apparecchio può essere utilizzato da bambini di età non inferiore a 8 anni e da persone con ridotte capacità fisiche, sensoriali o mentali, o prive di esperienza o della necessaria conoscenza, purché sotto sorveglianza oppure dopo che le stesse abbiano ricevuto istruzioni relative all'uso sicuro dell'apparecchio e alla comprensione dei pericoli ad esso inerenti.
 - I bambini devono essere controllati affinché non giochino con l'apparecchio.
 - La pulizia e la manutenzione non deve essere effettuata da bambini senza sorveglianza.
 - Il locale deve disporre di sufficiente ventilazione, quando la cappa da cucina viene utilizzata contemporaneamente ad altri apparecchi a combustione di gas o altri combustibili.
 - La cappa va frequentemente pulita sia internamente che esternamente (ALMENO UNA VOLTA AL MESE), rispettare comunque quanto espressamente indicato nelle istruzioni di manutenzione. L'inosservanza delle norme di pulizia della cappa e della sostituzione e pulizia dei filtri comporta rischi di incendi.
 - E' severamente vietato fare cibi alla fiamma sotto la cappa.
 - Per la sostituzione della lampada utilizzare solo il tipo lampada indicato nella sezione manutenzione /sostituzione lampada di questo manuale.
- L'impiego di fiamma libera è dannoso ai filtri e può dar luogo ad incendi, pertanto deve essere evitato in ogni caso.
- La frittura deve essere fatta sotto controllo onde evitare che l'olio surriscaldato prenda fuoco.
- ATTENZIONE:** Quando il piano di cottura è in funzione le parti accessibili della cappa possono diventare calde.
- Non collegare l'apparecchio alla rete elettrica finché l'installazione non è totalmente completata.
 - Per quanto riguarda le misure tecniche e di sicurezza da adottare per lo scarico dei fumi attenersi strettamente a quanto previsto dai regolamenti delle autorità locali competenti.
 - L'aria aspirata non deve essere convogliata in un condotto usato per lo scarico dei fumi prodotti da apparecchi a combustione di gas o di altri combustibili.
- ▲ AVVERTENZA!** La mancata installazione di viti e dispositivi di fissaggio in conformità di queste istruzioni può comportare rischi di natura elettrica.
- Non utilizzare o lasciare la cappa priva di lampade correttamente montate per possibile rischio di scossa elettrica.
 - Mai utilizzare la cappa senza griglia correttamente montata!
 - La cappa non va MAI utilizzata come piano di appoggio a meno che non sia espressamente indicato.

- Utilizzare solo le viti di fissaggio in dotazione con il prodotto per l'installazione o, se non in dotazione, acquistare il tipo di viti corretto.
- Utilizzare la lunghezza corretta per le viti che sono identificati nella Guida all'installazione.
- In caso di dubbio, consultare il centro di assistenza autorizzato o personale qualificato similare.

⚠ ATTENZIONE! Non utilizzare con un programmatore, timer, telecomando separato o qualsiasi altro dispositivo che si attiva automaticamente.

Tenere i bambini di età inferiore a 3 anni lontani dall'apparecchio. Senza la sorveglianza costante di un adulto, tenere l'apparecchio fuori dalla portata dei bambini di età inferiore a 8 anni.

⚠ ATTENZIONE: l'apparecchio non è destinato ad essere messo in funzione mediante un dispositivo esterno o un sistema di comando a distanza separato.

⚠ Questo apparecchio non è destinato all'uso professionale. Non utilizzare l'apparecchio all'aperto.

⚠ Per evitare il rischio di lesioni personali, l'apparecchio deve essere movimentato e installato da due o più persone.

⚠ L'installazione, comprendente anche eventuali raccordi per l'alimentazione idrica (se previsti) e i collegamenti elettrici, e gli interventi di riparazione devono essere eseguiti da personale qualificato.

A installazione completata, conservare il materiale di imballaggio (parti in plastica, polistirolo, ecc.) fuori della portata dei bambini per evitare il rischio di soffocamento.

Non utilizzare l'apparecchio quando si è bagnati oppure a piedi nudi.

Mai utilizzare apparecchi per pulizia a vapore – rischio di shock elettrico.



Il materiale dell'imballo è riciclabile al 100% ed è contrassegnato con il simbolo del riciclo

La cappa può avere estetiche differenti rispetto a quanto illustrato nei disegni di questo libretto, comunque le istruzioni per l'uso, la manutenzione e l'installazione rimangono le stesse.

Attenersi strettamente alle istruzioni riportate in questo manuale. Si declina ogni responsabilità per eventuali inconvenienti, danni o incendi provocati all'apparecchio derivati dall'inosservanza delle istruzioni riportate in questo manuale. La cappa è concepita per l'aspirazione dei fumi e vapori della cottura ed è destinata al solo uso domestico.

- E' importante conservare tutti i manuali che accompagnano il prodotto per poterli consultare in ogni momento. In caso di vendita, di cessione o di trasloco, assicurarsi che restino insieme al prodotto.
- Leggere attentamente le istruzioni: ci sono importanti informazioni sull'installazione, sull'uso e sulla sicurezza.
- Non effettuare variazioni elettriche o meccaniche sul prodotto o sulle condotte di scarico.
- Verificare l'integrità della cappa prima di procedere con l'installazione. In caso contrario contattare il rivenditore e non proseguire con l'installazione.

• La distanza minima fra la superficie di supporto dei recipienti sul dispositivo di cottura e la parte più bassa della cappa da cucina deve essere non inferiore a 50 cm in caso di cucine elettriche e di 65 cm in caso di cucine a gas o miste.

Se le istruzioni di installazione del dispositivo di cottura a gas specificano una distanza maggiore, bisogna tenerne conto.

COLLEGAMENTO ELETTRICO

La tensione di rete deve corrispondere alla tensione riportata sull'etichetta caratteristiche situata all'interno della cappa. Se provvista di spina allacciare la cappa ad una presa conforme alle norme vigenti posta in zona accessibile anche dopo l'installazione. Se sprovvista di spina (collegamento diretto alla rete) o la spina non è posta in zona accessibile, anche dopo installazione, applicare un interruttore bipolare a norma che assicuri la disconnessione completa della rete nelle condizioni della

categoria di sovratensione III, conformemente alle regole di installazione.


▲ ATTENZIONE! Prima di ricollegare il circuito della cappa all'alimentazione di rete e di verificarne il corretto funzionamento, controllare sempre che il cavo di rete sia stato montato correttamente.

Se il cavo non è provvisto di spina, collegare i fili attenendosi alla tabella seguente:

Tensione e frequenza della rete

Fare riferimento al valore indicato nella etichetta caratteristiche all'interno della cappa.

Collegamento fili

 : giallo/verde
N : blu
L : marrone

Sostituzione del cavo di alimentazione

La cappa è provvista di un cavo alimentazione speciale; in caso di danneggiamento del cavo, richiederlo al servizio assistenza tecnica.

SCARICO DELL'ARIA

(per le versioni aspiranti)

Collegare la cappa a tubi e fori di scarico a parete con diametro equivalente all'uscita d'aria (flangia di raccordo).

L'utilizzo di tubi e fori di scarico a parete con diametro inferiore determinerà una diminuzione delle prestazioni di aspirazione ed un drastico aumento della rumorosità.

Si declina perciò ogni responsabilità in merito.

- ! Usare un condotto lungo il minimo indispensabile.
- ! Usare un condotto con minor numero di curve possibile (angolo massimo della curva: 90°).
- ! Evitare cambiamenti drastici di sezione del condotto.
- ! L'azienda declina ogni responsabilità qualora queste norme non vengano rispettate.

FILTRANTE O ASPIRANTE?

- ! La vostra cappa è pronta per essere utilizzata in versione aspirante.

Per utilizzare la cappa in versione filtrante va installato l'apposito KIT ACCESSORIO.

Verificate nelle prime pagine di questo manuale se il KIT ACCESSORIO è già fornito a corredo o va acquistato a parte.

Nota: Se fornito a corredo, in alcuni casi, il sistema di filtraggio aggiuntivo a base di carboni attivi potrebbe essere già installato sulla cappa.

Le informazioni per la trasformazione della cappa da versione aspirante a versione filtrante sono già contenute in questo manuale.

Versione aspirante

I vapori vengono evacuati verso l'esterno tramite un tubo di scarico fissato alla flangia di raccordo.

▲ ATTENZIONE!

Il tubo di evacuazione non è fornito e va acquistato.

Il diametro del tubo di scarico deve essere equivalente al diametro dell'anello di connessione.

▲ ATTENZIONE!

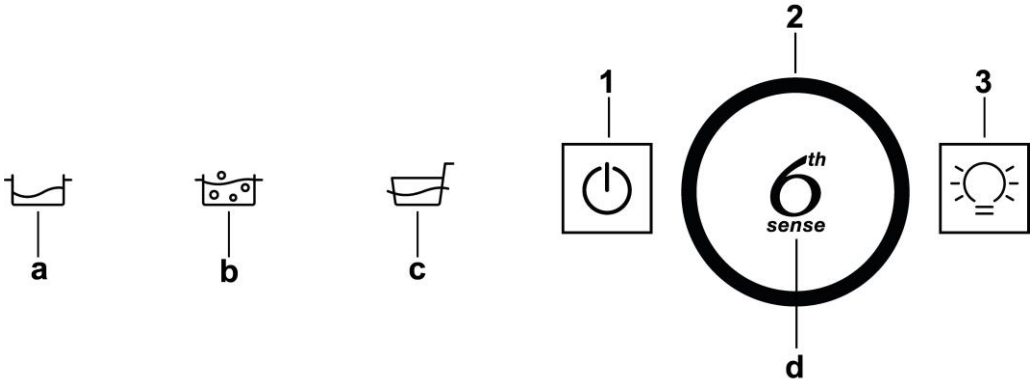
Se la cappa è provvista di filtro/i a carbone, questo/i deve/devono essere rimosso/i.

Versione filtrante

L'aria aspirata verrà sgrassata e deodorata prima di essere riconvogliata nella stanza. Per utilizzare la cappa in questa versione è necessario installare un sistema di filtraggio aggiuntivo a base di carboni attivi.

COMANDI

La cappa è fornita di un pannello comandi con un controllo delle velocità di aspirazione ed un controllo di accensione della luce per l'illuminazione del piano di cottura.



1. ON/OFF MOTORE

2. Selezione velocità (aumento/diminuzione)

Spie indicatori:

a. funzionamento alla velocità minima di aspirazione

b. funzionamento alla velocità media di aspirazione

c. funzionamento alla velocità massima di aspirazione

d. funzionamento alla velocità di aspirazione potenziata

NB = la velocità di aspirazione intensificata è programmata per 5 minuti, dopodiché il motorino torna al funzionamento a velocità media.

3. Spia ON/OFF

NB = la luminosità di retroilluminazione dei comandi aumenta con la corrispondente funzione selezionata.

MANUTENZIONE

Pulizia

Per la pulizia usare **ESCLUSIVAMENTE** un panno inumidito con detersivi liquidi neutri. **NON UTILIZZARE UTENSILI O STRUMENTI PER LA PULIZIA!** Evitare l'uso di prodotti contenenti abrasivi. **NON UTILIZZARE ALCOL!**

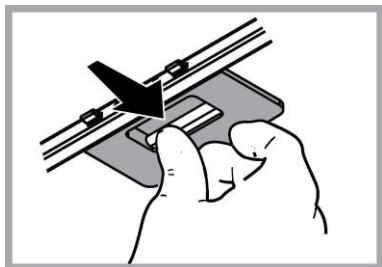
Manutenzione dei filtri antigrasso

Trattiene le particelle di grasso derivanti dalla cottura.

Deve essere pulito una volta al mese (o quando il sistema di indicazione di saturazione dei filtri - se previsto sul modello in possesso- indica questa necessità), con detersivi non aggressivi, manualmente oppure in lavastoviglie a basse temperature ed a ciclo breve.

Con il lavaggio in lavastoviglie il filtro antigrasso metallico può scolorirsi ma le sue caratteristiche di filtraggio non cambiano assolutamente.

Per smontare il filtro grassi tirare la maniglia di sgancio a molla.



Manutenzione del filtro al carbone

Trattiene gli odori sgradevoli derivanti dalla cottura.

La saturazione del filtro carbone si verifica dopo un uso più o meno prolungato a seconda del tipo di cucina e della regolarità della pulizia del filtro grassi. In ogni caso è necessario sostituire la cartuccia al massimo ogni quattro mesi (o quando il sistema di indicazione di saturazione dei filtri - se previsto sul modello in possesso- indica questa necessità).

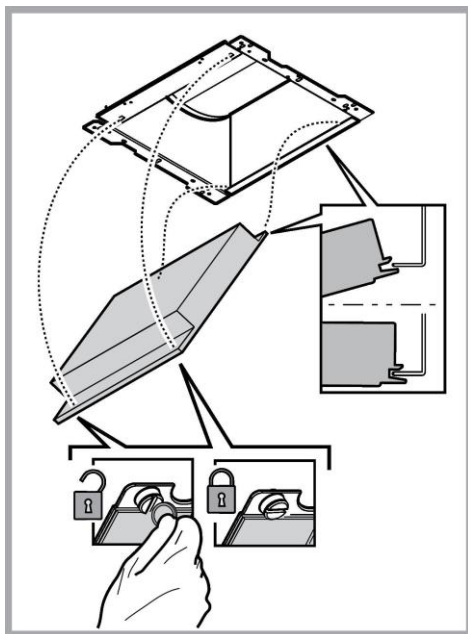
NON può essere lavato o rigenerato

Montaggio

Agganciare il filtro ai carboni attivi prima posteriormente sulla linguetta metallica della cappa, poi anteriormente con i due pomelli.

Smontaggio

Rimuovere il filtro ai carboni attivi girando di 90° i pomelli che lo fissano alla cappa.



Sostituzione delle lampade

La cappa è dotata di un sistema di illuminazione basato sulla tecnologia LED.


I LED garantiscono una illuminazione ottimale, una durata fino a 10 volte maggiore delle lampade tradizionali e consentono di risparmiare il 90% di energia elettrica.

Il sistema di illuminazione non è sostituibile dall'utente, in caso di malfunzionamenti contattare il servizio assistenza.

SMALTIMENTO

Questo apparecchio è contrassegnato in conformità alla Direttiva Europea 2012/19/EC - UK SI 2013 No.3113, Waste Electrical and Electronic Equipment (WEEE). Assicurandosi che questo prodotto sia smaltito in modo corretto, l'utente contribuisce a prevenire le potenziali conseguenze negative per l'ambiente e la salute.



Il simbolo  sul prodotto o sulla documentazione di accompagnamento indica che questo prodotto non deve essere trattato come rifiuto domestico ma deve essere consegnato presso l'idoneo punto di raccolta per il riciclaggio di apparecchiature elettriche ed elettroniche. Disfarsene seguendo le normative locali per lo smaltimento dei rifiuti. Per ulteriori informazioni sul trattamento, recupero e riciclaggio di questo prodotto, contattare l'idoneo ufficio locale, il servizio di raccolta dei rifiuti domestici o il negozio presso il quale il prodotto è stato acquistato.

Apparecchiatura progettata, testata e realizzata nel rispetto delle norme sulla:

- Sicurezza: EN/IEC 60335-1; EN/IEC 60335-2-31, EN/IEC 62233.
- Prestazione: EN/IEC 61591; ISO 5167-1; ISO 5167-3; ISO 5168; EN/IEC 60704-1; EN/IEC 60704-2-13; EN/IEC 60704-3; ISO 3741; EN 50564; IEC 62301.
- EMC: EN 55014-1; CISPR 14-1; EN 55014-2; CISPR 14-2; EN/IEC 61000-3-2; EN/IEC 61000-3-3. Suggestioni per un corretto utilizzo al fine di ridurre l'impatto ambientale: Quando iniziate a cucinare, accendere la cappa alla velocità minima, lasciandola accesa per alcuni minuti anche dopo il termine della cottura. Aumentare la velocità solo in caso di grandi quantità di fumo e vapore, utilizzando la funzione booster solo in casi estremi. Per mantenere ben efficiente il sistema di riduzione degli odori, sostituire, quando è necessario, il/i filtro/i carbone. Per mantenere ben efficiente il filtro del grasso, pulirlo in caso di necessità. Per ottimizzare l'efficienza e minimizzare i rumori, utilizzare il diametro massimo del sistema di canalizzazione indicato in questo manuale.



ANOMALIE DI FUNZIONAMENTO

Se qualcosa non sembra funzionare, prima di chiamare il Servizio Assistenza effettuare i seguenti semplici controlli:

- Se la cappa non funziona:
Verificare che:
 - non c'è interruzione di corrente.
 - è stata selezionata una velocità.
- Se la cappa ha un rendimento scarso:
Verificare che:
 - La velocità motore selezionata è sufficiente per la quantità di fumo e di vapori liberata.
 - La cucina è sufficientemente areata per permettere una presa d'aria.
 - Il filtro carbone non è consumato (cappa in versione filtrante).
- Se la cappa si è spenta nel corso del normale funzionamento:
Verificare che:
 - non c'è interruzione di corrente.
 - il dispositivo di interruzione omnipolare non è scattato.

In caso di eventuali anomalie di funzionamento, prima di rivolgerVi al servizio assistenza scollegate per almeno 5 sec. l'apparecchio dall'alimentazione elettrica estraendo la spina e collegatelo poi nuovamente. Nel caso in cui l'anomalia di funzionamento dovesse perdurare, rivolgersi al servizio d'assistenza.

DATI TECNICI

Altezza (cm)	Larghezza (cm)	Profondità (cm)	Ø del tubodi scarico (cm)
 67-110	100	60	15
 76-110			

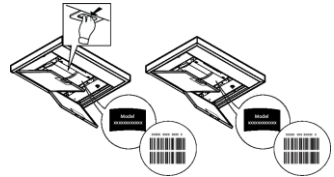


Componenti non in dotazione con il prodotto



Per scaricare le istruzioni di sicurezza, il manuale d'uso, la scheda tecnica e i dati energetici:

- Visitare il sito web docs.whirlpool.eu
- Usare il codice QR
- Oppure, **contattare il Servizio Assistenza** (al numero di telefono riportato sul libretto di garanzia). Quando si contatta il Servizio Assistenza, fornire i codici presenti sulla targhetta matricola del prodotto.



VŠEOBECNÁ BEZPEČNOSTNÍ OPATŘENÍ

- Před jakýmkoli čištěním či údržbou odpojte digestoř z elektrické sítě odpojením ze zásuvky nebo vypnutím hlavního domovního vypínače.
- Při jakýchkoli úkonech spojených s instalací či údržbou používejte ochranné rukavice.
- Tento přístroj mohou používat děti starší 8 let a osoby se sníženými tělesnými, smyslovými či duševními schopnostmi nebo osoby bez patřičných zkušeností a znalostí, pouze pokud jsou pod neustálým dozorem nebo byly poučeny o bezpečném použití výrobku a jsou si vědomy rizik spojených s jeho použitím.
- Je nutné se ujistit, zda si děti nehrají se zařízením.
- Čištění a údržba nesmí být prováděna dětmi bez dozoru.
- Místnost musí být dostatečně větraná, pokud je digestoř používána společně s jinými spalovacími zařízeními na plyn či jiná paliva.
- Vnitřní a vnější části digestoře musí být často čišťeny (NEJMÉNĚ JEDNOU ZA MĚSÍC), za dodržení výslovných pokynů uvedených v návodu k údržbě.
- Při nedodržení pokynů pro čištění digestoře a výměnu a čištění filtrů hrozí nebezpečí požáru.
- Je přísně zakázáno připravovat pod digestoří pokrmy na ohni.
- Při výměně žárovky používejte pouze typ žárovky uvedený v tomto návodu, v části věnované údržbě/výměně žárovek.

Použití otevřeného ohně může poškodit filtry a způsobit požáry, proto oheň nesmí být nikdy používán.

Zvýšenou pozornost je nutné věnovat smažení, protože přehřátý olej by se mohl vznítit. POZOR: Pokud je varná deska v provozu, přístupné části digestoře se mohou stát velmi teplými.

- Nepřipojujte přístroj k elektrické síti, dokud instalace nebude zcela ukončena.
- Nepřipojujte přístroj k elektrické síti, dokud instalace nebude zcela ukončena.
- Co se týče technických a bezpečnostních opatření pro odvod kouře, postupujte přesně podle předpisů příslušných místních orgánů.
- Odsávaný vzduch musí být odváděn do potrubí používaného pro odtah kouřů vznikajících při použití spalovacích zařízení na plyn či jiná paliva.
- ▲ **POZOR!** V případě chybějící instalace šroubů a úchytných prvků dle pokynů uvedených v tomto návodu může dojít k vzniku nebezpečí elektrické povahy.
- Nepoužívejte a nenechávejte digestoř bez správně instalovaných žárovek, jelikož hrozí nebezpečí úrazu elektrickým proudem.
- Nikdy nepoužívejte digestoř bez správně namontované mřížky!
- Digestoř nesmí být NIKDY používána jako opěrná plocha, pokud pro tento účel není výslovně určena.
- Při instalaci používejte pouze úchytné šrouby dodané z výrobkem.
- Pokud šrouby nejsou součástí vybavení, zakupte správný typ šroubů. Používejte šrouby se správnou délkou, podle pokynů v Návodu pro instalaci.

• V případě pochyb se obraťte na pověřený servis nebo se poraďte s odborným personálem.

▲ POZOR! Nepoužívejte s programátorem, časovým spínačem, samostatným dálkovým ovládáním nebo jiným zařízením, které se aktivuje automaticky.

Uchovávejte spotřebič mimo dosah dětí mladších 3 let. Bez stálého dohledu dospělé osoby uchovávejte mimo dosah dětí mladších 8 let.

▲ UPOZORNĚNÍ: spotřebič není určen ke spuštění externím zařízením nebo odděleným dálkovým ovládáním.

▲ Tento spotřebič není určen pro profesionální použití. Nepoužívejte spotřebič na otevřeném prostranství.

▲ Aby nedošlo k poranění osob, musí být spotřebič přemístěn a nainstalován dvěma nebo více osobami.

▲ Instalace, včetně případných přípojek na vodu (pokud jsou k dispozici) a elektrických přípojek, jakož i opravy musí provádět kvalifikovaný personál.

Po dokončení instalace uložte obalový materiál (plastové díly, polystyren, atd) mimo dosah dětí, aby se zabránilo riziku udušení .

Nepoužívejte přístroj, pokud jste mokří nebo naboso.

Nikdy nepoužívejte parní čistící přístroje - nebezpečí úrazu elektrickým proudem.



Obalový materiál je 100% recyklovatelný a je označen symbolem recyklace

Digestoř může mít odlišný vzhled od ilustrací na výkresech této příručky, nicméně návod k použití, údržba a montáž zůstávají nezměněny.

Výrobce odmítá převzít jakoukoliv odpovědnost za případné závady, škody nebo vznícení digestoře, které byly způsobeny nedodržением těchto předpisů. Digestoř je projektována pro odsávání dýmů a par při vaření a je určena pouze k domácím účelům.

- Je důležité uchovat si tuto příručku, abyste ji mohli konzultovat v jakémkoliv okamžiku. V případě prodeje, postoupení či stěhování si zajistěte, aby zůstala společně s přístrojem.
- Přečtěte si pozorně návod: obsahuje důležité informace o instalaci, užití a bezpečnosti.
- Neměňte elektrickou či mechanickou úpravu výrobku anebo vývodního zařízení.
- Před instalací zařízení zkontrolujte, zda některá ze součástí není poškozena. V opačném případě kontaktujte prodejce a nepokračujte v instalaci.

• Minimální vzdálenost mezi podporou nádoby na varné ploše a nejnižší částí digestoře nesmí být menší než 50cm v případě elektrických sporáků 65cm v případě plynových či smíšených sporáků.

Pokud návod na instalaci varného zařízení na plyn doporučují větší vzdálenost, je třeba se tímto pokynem řídit.

NAPOJENÍ NA ELEKTRICKOU SÍŤ

Síťové napětí musí odpovídat napětí uvedenému na štítku s charakteristikami umístěného uvnitř krytu. Pokud je kryt vybaven přípojkou, stačí jej zapojit do zásuvky odpovídající stávajícím normám, která se nachází ve snadno dosažitelném prostoru i po provedené montáži. Pokud kryt není vybaven přípojkami (přímé připojení k síti) nebo se zásuvka nenachází ve snadno dosažitelném prostoru i po provedené montáži, je třeba použít dvojpólový vypínač odpovídající normám, který zaručí úplné odpojení od sítě v podmínkách kategorie přepětí III, v souladu s pravidly instalace.


▲ POZOR! Dříve než opět napojíte obvod digestoře na síťové napájení a ověříte správné fungování, zkontrolujte si vždy, že síťový kabel byl správně namontován.

Pokud není kabel opatřen zástrčkou, připojte vodiče podle informací v následující tabulce:

Sít'ové napětí a frekvence

Viz hodnota uvedená na technickém štítku s vlastnostmi uvnitř digestoře..

Připojení vodičů

 : žluto/zelená
N : modrá
L : hnědá

Výměna napájecího kabelu

Digestoř je vybavena speciálním napájecím kabelem; v případě poškození kabelu vyžádejte si ho u servisní služby.

VÝVOD VZDUCHU

(pro odsávací verze)

Napojte digestoř na odtahového potrubí se stejným průměrem jako vývod vzduchu (spojovací příruba).

Použití odtahového potrubí s menším průměrem způsobí snížení výkonu a zvýšení hluku.

Za to výrobce odmítá jakoukoliv zodpovědnost.

! Používejte co nejkratší odtahové potrubí.

! Používejte odtahové potrubí s co nejmenším počtem záhybů (maximální úhel záhybu: 90°).

! Vyhněte se zásadním změnám sekce vedení odtahu.

! Výrobce odmítá veškerou zodpovědnost v případě, že tyto předpisy nebudou dodržovány.

FILTRUJÍCÍ ANEBO ODSÁVACÍ?

! Vaše digestoř je připraven k použití v odsávací verzi.

K použití ve filtrující verzi je třeba instalovat příslušný KIT PŘÍSLUŠENSTVÍ.

Ověřte si na prvních stránkách této příručky, zda KIT PŘÍSLUŠENSTVÍ je součástí vybavení přístroje anebo zda je třeba ho zakoupit.

Poznámka: Pokud je součástí vybavení, v některých případech dodatkový filtrační systém založený na aktivních uhlících by již mohl být nainstalován na digestoři.

Informace týkající se přeměny digestoře z odsávací verze na verzi filtrující jsou obsaženy v této příručce.

Odsávací verze

Páry jsou vyváděny mimo místnost odtahovým potrubím upevněného na spojovací přírubě.

POZOR!

Odtahové potrubí není součástí vybavení a je třeba ho zakoupit.

Průměr odtahového potrubí se musí rovnat průměru spojovacího prstence.

POZOR!

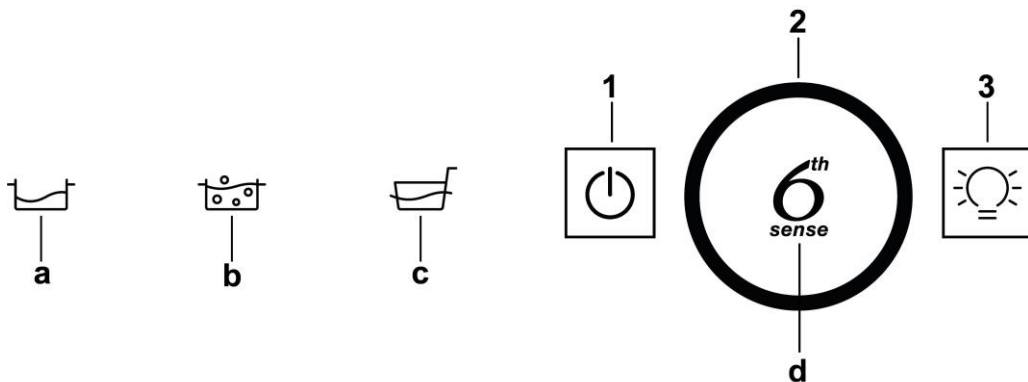
Jestliže je digestoř vybavena filtry s uhlíkem, musejí být vyňaty.

Filtrující verze

Odsávaný vzduch bude před návratem do místnosti zbařen tuku a pachů. K použití digestoře v této verzi je nutné instalovat dodatečný systém filtrování na základě aktivních uhlíků.

OVLÁDÁNÍ

Digestoř je vybavena ovládacím panelem s řízením rychlosti sání a světelným spínačem pro osvětlení varné desky.



1. Vypínač motoru ZAPNUTO/VYPNUTO

2. Volba rychlosti (zvýšení/snížení)

Světelné kontrolky:

- a. běží na minimální rychlost odsávání
- b. běží na střední rychlost odsávání
- c. běží na maximální rychlost odsávání
- d. běží na krajní rychlost odsávání s vysokou intenzitou

POZNÁMKA = krajní rychlost odsávání s vysokou intenzitou je načasovaná na 5 minut. Poté se motor vrátí na střední rychlost.

3. Světelná kontrolka ve stavu „ZAPNUTO/VYPNUTO“ (ON/OFF)

POZNÁMKA = je-li funkce používána, zesílí se jas podsvícení ovládacího prvku.

ÚDRŽBA

Čištění

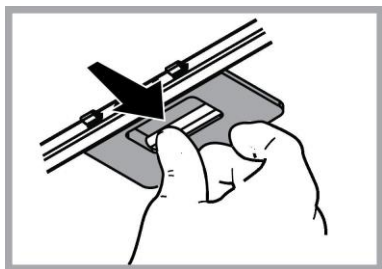
Pro čištění je třeba použít **VÝHRADNĚ** látku navlhčenou neutrálními tekutými čisticími prostředky. **NEPOUŽÍVEJTE ŽÁDNÉ NÁSTROJE NEBO POMŮCKY NA ČIŠTĚNÍ. NEPOUŽÍVEJTE ALKOHOH!**

Údržba tukových filtrů

Zadržuje částice tuku uvolňující se při vaření.

Tukový filtr se musí 1x do měsíce vyčistit (vyprat), anebo jestliže systém vyznačování saturace filtru - pokud je součástí vybavení vlastněného modelu - vyznačuje tuto potřebu. Je možné jej čistit ručně jemným mycím prostředkem nebo v kuchyňské myčce při nejnižší teplotě a kratším programu.

Demontáž tukového filtru je znázorněna - zatlačte na západku filtru.



Úrřba filtrů s uhlíkem

Tento filtr pohlcuje nepříjemné pachy vznikající při vaření.

Saturace filtru s uhlíkem nastane po více či méně dlouhém užití, tj. závisí na typu kuchyně a pravidelném čištění filtru proti mastnotám. V každém případě je nutné nahradit patronu maximálně jednou za 4 měsíce (anebo jestliže systém vyznačování saturace filtrů – pokud je součástí vybavení vlastněného modelu – vyznačuje tuto potřebu).

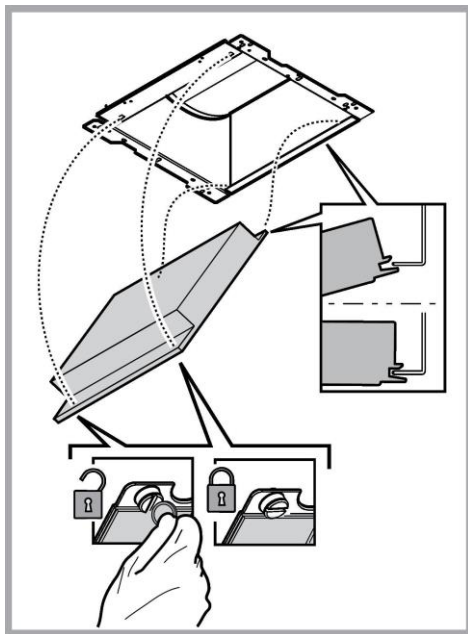
NEMŮŽE být umýván či regenerován.

Montáž

Zavěste nejdříve filtr s aktivním uhlíkem vzadu, na kovový jazýček digestoře, pak vepředu, dvěma dvěma držadly.

Demontáž

Vyjměte filtr s aktivním uhlíkem tak, že budete otáčet o 90° držadla, která ho upevňují na digestoř.



Výměna svítidel

Digestoř je vybavena osvětlovacím systémem založeným na technologii DIOD.


DIODY zaručují optimální osvětlení, s trvanlivostí až 10 krát delší než tradiční svídkla a umožňují úspory 90% elektrické energie.

Systém osvětlení nemůže být vyměňován uživatelem, v případě poruchy kontaktujte servisní službu.

LIKVIDACE ODPADU

Tento spotřebič je označený v souladu s evropskou směrnicí 2012/19/EC - UK SI 2013 No.3113 o likvidaci elektrického a elektronického zařízení (WEEE). Zajištěním správné likvidace tohoto výrobku pomůžete zabránit případným negativním důsledkům na životní prostředí a lidské zdraví, ke kterým by nevhodnou likvidací tohoto výrobku mohlo dojít.



Symbol  na výrobku nebo na dokumentech přiložených k výrobku udává, že tento spotřebič nepatří do domácího odpadu. Spotřebič je nutné odvézt do sběrného místa pro recyklaci elektrického a elektronického zařízení.

Likvidace musí být provedena v souladu s místními předpisy o ochraně životního prostředí, které se týkají likvidace odpadu.

Podrobnější informace o zpracování, rekuperaci a recyklaci tohoto výrobku zjistíte u příslušného místního úřadu, služby pro likvidaci domovního odpadu nebo v obchodě, kde jste výrobek zakoupili.

Přístroj byl navržen, testován a vyroben v souladu s:

- Bezpečnost: EN/IEC 60335-1; EN/IEC 60335-2-31, EN/IEC 62233.
- Výkonnost: EN/IEC 61591; ISO 5167-1; ISO 5167-3; ISO 5168; EN/IEC 60704-1; EN/IEC 60704-2-13; EN/IEC 60704-3; ISO 3741; EN 50564; IEC 62301.
- EMC: EN 55014-1; CISPR 14-1; EN 55014-2; CISPR 14-2; EN/IEC 61000-3-2; EN/IEC 61000-3-3.

(Osobitý mezinárodní výbor pro rádiové rušení, pozn. překl)

Doporučení pro správné použití s cílem snížit dopad na životní prostředí:

Zapněte digestoř na minimální rychlost, když začnete s vařením a nechte ji běžet několik minut poté, co jste vaření ukončili. Zvyšte rychlost pouze v případě nadměrného množství kouře nebo páry a použijte podpomou rychlost (I) jenom v extrémních situacích. Vyměňte uhlíkový filtr (y), je-li to nutné pro udržování účinnosti snižování zápachu. Vyčistěte tukový filtr (y), je-li to nutné pro udržování jeho účinnosti. Použijte maximální průměr potrubního systému, jak je uvedeno v tomto návodu, pro optimalizaci účinnosti a minimalizaci hluku.



TECHNICKÉ PORUCHY

Pokud máte dojem, že něco správně nefunguje, dříve než se obrátíte na servisní službu, proveďte následující jednoduchá kontrolní opatření:

- jestliže digestoř nefunguje:
Ověřte si, zda:
 - nedošlo k přerušení elektrického proudu.
- jestliže digestoř má nedostatečný výkon:
Ověřte si, zda:
 - zvolená rychlost motoru je postačující pro uvolnění množství dýmu a par.
 - zda je kuchyně dostatečně větrána, aby v ní bylo možno umístit přívod vzduchu.
 - zda filtr s uhlíkem není opotřebován (pokud je digestoř ve filtrující verzi).
- Pokud se digestoř při normálním provozu vypne:
Ověřte si, zda:
 - nedošlo k přerušení elektrického proudu.
 - zda nezasáhl multipólový jistič

V případě eventuálních technických poruch dříve než se obrátíte na servisní službu, odpojte přístroj alespoň na 5 vteřin z elektrické sítě, vyjměte zásuvku ze zástrčky a pak ho opět napojte na síť. V případě, že technická porucha trvá, obraťte se na servisní službu.

TECHNICKÉ ÚDAJE

Výška (cm)	Šířka (cm)	Hloubka (cm)	Ø potrubí odtahu (cm)
 67-110	100	60	15
 76-110			

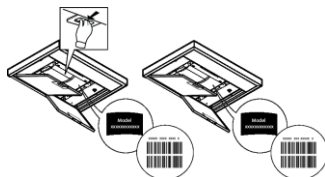


Komponenty, které nejsou součástí vybavení výrobku



Bezpečnostní pokyny, návod k použití, štítek výrobku a energetické údaje si můžete stáhnout pomocí:

- naší webové stránky docs.whirlpool.eu
- naskenování QR kódu
- případně **kontaktujte náš poprodejní servis** (telefonní číslo najdete v záručním listě). Při kontaktování našeho poprodejního servisu prosím uveďte kódy na identifikačním štítku produktu.



ÁLTALÁNOS BIZTONSÁGI ELŐÍRÁSOK

- Bármilyen tisztítási és karbantartási művelet megkezdése előtt, a készüléket le kell választani az elektromos hálózatról! Húzza ki a készülék villásdugóját, vagy áramtalanítsa a háztartási elosztódoboz főkapcsolóját lekapcsolva!
 - Minden beszerelési és karbantartási munkálathoz használjon munkavédelmi kesztyűt!
 - A készüléket 8 éven felüli gyerekek, valamint a csökkent fizikális, érzékszervi és szellemi képességekkel bíró személyek, illetve azok, akik nem rendelkeznek megfelelő tudással és tapasztalattal, kizárólag megfelelő felügyelet mellett használhatják, illetve abban az esetben, ha megfelelő útmutatást kaptak a készülék biztonságos használatát illetően és megértették a készülék használatával járó veszélyeket!
 - Ne engedje, hogy a gyermekek játsszanak a készülékkel!
 - A készülék tisztítását és karbantartását gyermekek csak felügyelet mellett végezhetik!
 - Az elszívó más, gáz- vagy egyéb tüzelőanyagú készülékkel való egyidejű használata esetén biztosítani kell a helyiség megfelelő szellőzését!
 - Az elszívót mind belül, mind kívül (LEGALÁBB HAVONTA EGYSZER) rendszeres gyakorisággal tisztítani kell!
 - A kézikönyvben feltüntetett karbantartási utasításokat minden esetben tartsa be!
 - Az elszívó tisztítási előírásainak, valamint a szűrők cseréjének és tisztításának figyelmen kívül hagyása tűzveszélyt okoz! Az elszívó alatt szigorúan tilos nyílt lángon készíteni ételt!
 - Az izzó cseréjéhez kizárólag az e kézikönyv „karbantartás - izzó cseréje” c. részben megadott típusú izzót használjon!
- A nyílt láng használata károsítja a szűrőket és tűzveszélyt okozhat, emiatt minden esetben kerülni kell a nyílt láng használatát!
- Ne hagyja őrizenlenül a sütést, mert a túlhevült olaj meggyulladhat!
- FIGYELEM!** A főzőlap működése közben az elszívó hozzáférhető részei felforrósodhatnak!
- Ne csatlakoztassa a készüléket az elektromos hálózatra, amíg a beszerelést teljesen el nem végezte!
 - A füstelvezetéshez szükséges műszaki és biztonsági intézkedéseket illetően, az illetékes helyi hatóságok vonatkozó rendeleteit szigorúan tartsa be!
 - A keringetett levegőt nem szabad a gáz- vagy egyéb égéstermék üzemű készülékek füstjének elvezetéséhez használt csőben szállítani!
- ▲ FIGYELEM!** A csavarok és rögzítő elemeknek nem az útmutató szerinti felhelyezése áramütés-veszélyt okozhat!
- Ne használja az elszívót helytelenül felszerelt lámpával, illetve ne hagyja azt lámpa nélkül, mert áramütést okozhat!
 - Soha ne használja az elszívót felszerelt rostély nélkül!
 - Az elszívót SOHA ne használja tárolófelületként, hacsak az ilyen célra való használata nincs egyértelműen jelezve!

- Beszereléshez kizárólag a készülékhez mellékelt csavarokat használja! Amennyiben a csavar nem része a csomagnak, ügyeljen a megfelelő típusú csavarok beszerzésére!
- A beszerelési útmutatóban feltüntetett, megfelelő hosszúságú csavarokat használjon!
- Kétség esetén kérjen tájékoztatást a szakszerviztől, vagy hasonló képzésű személyzettől!

▲ FIGYELEM! Ne használja programozóval, időzítővel, különálló távirányítóval vagy bármilyen más olyan eszközzel, amelyik automatikusan kapcsol be.

A 3 évesnél fiatalabb gyermekeket tartsa távol a készüléktől. Felnőtt állandó felügyelete nélkül a készüléket 8 évesnél fiatalabb gyermekektől tartsa távol.

▲ FIGYELEM: a készüléket ne üzemeltesse külső eszközzel vagy külön távirányítóval.

▲ Ez a készülék nem professzionális használatra készült. Ne használja a készüléket a szabadban.

▲ A személyi sérülés elkerülése érdekében a készüléket két vagy több embernek kell mozgatnia és telepítenie.

▲ A telepítést, beleértve a vízellátó csatlakozásokat (ha vannak) és az elektromos csatlakozásokat, valamint a javítási műveleteket, szakképzett személyzetnek kell elvégeznie.

A telepítés befejezése után tartsa a csomagolóanyagot (műanyag részeket, polisztirolt stb.) gyermekektől távol, hogy elkerülje a fulladást. .

Ne használja a készüléket vizes testrészekkel vagy meztőláb.

Soha ne használjon gőztisztító berendezéseket - áramütés veszélye.



A csomagolóanyag 100% -ban újrahasznosítható és újrahasznosítási szimbólummal van ellátva

Az elszívó esztétikai megjelenésében eltérhet a jelen kézikönyv ábráin szereplőtől, de a használati, karbantartási és felszerelési utasítások nem változnak.

Ezen kézikönyv utasításait szigorúan be kell tartani. Az itt feltüntetett utasítások be nem tartásából származó bármilyen hiba, kár vagy tüzesettel kapcsolatban a gyártó felelősséget nem vállal. A páraelszívó a főzési pára és füst elszívására szolgál, kizárólag háztartási használatra.

- Fontos, hogy ezt a kézikönyvet megőrizze, hogy bármikor tájékozódhasson belőle. Eladás, átadás vagy költözés esetén gondoskodjon arról, hogy a kézikönyv a terméket kísérje.
- Az útmutatókat figyelmesen olvassa el: fontos tájékoztatások találhatók köztük a telepítésre, a használatra és a biztonságra vonatkozóan.
- Ne módosítsa a termék elektromos vagy mechanikai rendszerét, vagy a kivezető csöveket.
- A berendezés beszerelésének megkezdése előtt győződjön meg róla, hogy minden alkatrész sérülésmentes-e. Ellenkező esetben forduljon a viszonteladóhoz és ne szerelje fel a berendezést.

• A főzőkészülék felülete és a konyhai szagelszívó legalsó része közötti minimális távolság nem lehet kisebb, mint 50cm elektromos főzőlap, és 65cm gáz vagy vegyes tüzelésű főzőlap esetén.

Ha a gázfőzőlap beszerelési utasításában ennél nagyobb távolság szerepel, azt kell figyelembe venni.

ELEKTROMOS CSATLAKOZÁS

A hálózati feszültségnek azonosnak kell lennie a konyhai páraelszívó belsejében elhelyezett műszaki adattáblán feltüntetett feszültséggel. Ha az elszívó rendelkezik villásdugóval, csatlakoztassa egy hozzáférhető helyen elhelyezett, az érvényben lévő szabványoknak megfelelő dugaszoló aljzathoz, akár a beszerelést követően is. Ha nem rendelkezik csatlakozódugóval (közvetlen csatlakozás a hálózathoz) vagy a dugaszoló

aljazat nem hozzáférhető, szereljen fel egy szabványos, kétpólusú megszakítót akár a beszerelést követően is, amely III. túláram-kategória esetén biztosítja a hálózatról való teljes leválasztását, a telepítési szabályoknak megfelelően.


▲ FIGYELEM! Mielőtt az elszívó áramkörét visszaköti a hálózatba és ellenőrzi, hogy az elszívó helyesen működik-e, mindig ellenőrizze azt is, hogy a hálózati vezeték beszerelése szabályos-e.

H a kábel nem rendelkezik csatlakozódugóval, csatlakoztassa a vezetékeket az alábbi táblázat szerint:

Hálózati feszültség és frekvencia

Lásd a páraelszívó belsejében található, a jellemzőket felsoroló címkén feltüntetett értéket.

Vezetékek

 : sárga/zöld
N : kék
L : barna

Elektromos vezeték cseréje

Az elszívó speciális kábellel rendelkezik, melynek sérülése esetén cseréjét kérje a szakszervíz szolgáltatótól.

LÉGKIVEZETÉS

(kivezetett verziónál)

Csatlakoztassa a páraelszívót a levegőkimenettel (csatlakozó karima) azonos átmérőjű kivezető csőhöz.

A kisebb átmérőjű cső használata az elszívás hatásfokának csökkenését és a készülék zajszintjének drasztikus növekedéséhez vezet.

Ezért ezzel kapcsolatban felelősséget nem vállalunk.

! Minimális hosszúságú csővezetékét használjon.

! A csővezeték a lehető legkevesebb hajlattal rendelkezzen (maximális hajlásszög: 90°).

! Kerülje a cső deformálódását.

! A gyártó nem vállal felelősséget a fent leírt előírások be nem tartása esetén.

KERINGETETT VAGY KIVEZETETT ?

! Az Ön által vásárolt elszívó kivezetett változatban való alkalmazásra készült

Amennyiben a páraelszívót keringetett verzióban szeretné használni, úgy a megfelelő **KELLÉK KÉSZLETET** be kell szerelnie.

Ellenőrizze ezen kézikönyv első oldalain, hogy a **KELLÉK KÉSZLET** a csomag része-e, vagy külön szükséges-e megvásárolnia.

Megjegyzés: Amennyiben a készlet része, előfordulhat, hogy az aktív szénfilter alapú kiegészítő szűrőrendszer a páraelszívóba már beépítésre került.

A páraelszívó kivezetett verzióból keringetett verziójúvá való átalakításához szükséges információkat ebben a kézikönyvben megtalálja.

Kivezetett verzió

A gózk kivezetése a gyújtókarimához rögzített elvezető csövön történik.

▲ FIGYELEM!

Kivezetőcső nincs a csomagban, külön kell azt megvennie.

Az elvezetőcső átmérője az összekötő gyűrű átmérőjével azonos kell legyen

▲ FIGYELEM!

Amennyiben az elszívó szénfilteres, szükséges annak kiemelése.

Keringetett verzió

Az elszívott levegő zsirtalanításra, majd szagtalanításra kerül, mielőtt a terembe visszaáramoltatásra kerülne. Az elszívó ilyen üzemmódban való használatához szükséges további, aktív szén alapú szűrőrendszer installálása.

VEZÉRLŐGOMBOK

A páraelszívó vezérlőpanellel felszerelt, amelyen egy szívósebesség-szabályozó és egy világítás-kapcsoló vezérlő található a főzőlap megvilágításához.



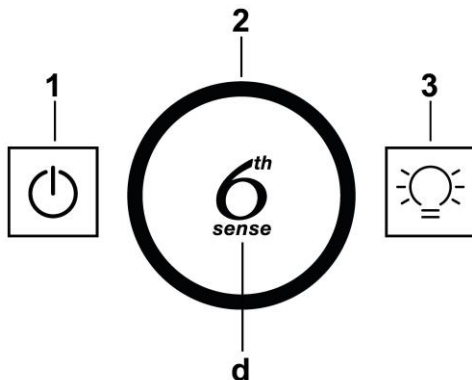
a



b



c



1. Motor BE/KI
2. Sebesség kiválasztása (növelés/csökkentés)

Jelzőfények:

- a. legkisebb elszívási teljesítmény bekapcsolva
- b. közepes elszívási teljesítmény bekapcsolva
- c. legnagyobb elszívási teljesítmény bekapcsolva
- d. intenzív elszívási teljesítmény bekapcsolva

Megjegyzés: Az intenzív elszívási teljesítmény legfeljebb 5 percig működtethető, ezt követően a motor visszakapcsol a közepes teljesítményre.

3. Világítás BE/KI

Megjegyzés: Bekapcsolt funkciónál az adott vezérlő háttérvilágítása erősebb.

KARBANTARTÁS

Tisztítás

A tisztításhoz KIZÁRÓLAG semleges folyékony mosószerrel átitatott nedves ruhát használjon. **A TISZTÍTÁSHOZ NINCS SZÜKSÉG SEMMILYEN ESZKÖZRE.** Kerülje a sűrűlőszert tartalmazó mosószer használatát. **NE HASZNÁLJON ALKOHOLT!**

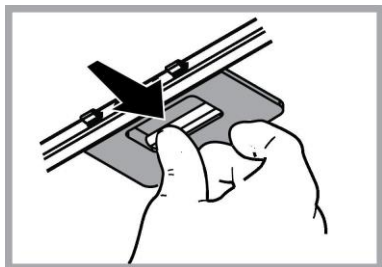
Zsírszűrők karbantartása

Visszatartja a főzésből eredő zsírrészecskéket.

Havonta egyszer (vagy amikor a filter telítődésjelző rendszere - ha a megvásárolt modell rendelkezik ilyenrel - jelzi, hogy szükség van rá) nem agresszív tisztítószerrel, kézzel vagy mosogatógépben, alacsony hőfokon és rövid ciklussal el kell mosogatni.

Mosogatógépben történő mosogatás a zsírszűrő elszíneződését okozhatja, de ez nem változtat hatékonyságán.

A zsírszűrő filter leszereléséhez húzza meg a rugós horgot.



Szénfilter karbantartása

Magában tartja a főzésből származó kellemetlen szagokat.

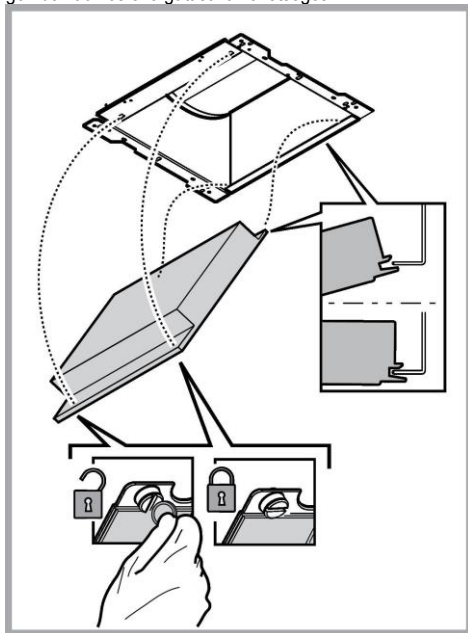
A szénfilter telítődése többé vagy kevésbé hosszú idő alatt történik meg, a tűzhely típusától és a zsírszűrő tisztogatásának rendszerességétől függően. Mindenképpen cserélni kell a betétet legalább négyhavonként (vagy amikor a filterek telítődését jelző rendszer – ha a birtokunkban lévő modellnél van ilyen - ennek szükségességét jelzi.

NEMŐZE byt umývaný alebo regenerovaný.

Szerelés

Helyezze be az aktív szénszűrőt, annak hátsó részét az elszívó fém nyelveire akasztva, az első részét a két gombbal rögzítve.

Az aktív szénszűrő kiemelése a szűrőt az elszívóhoz rögzítő gombok 90°-os elforgatásával lehetséges.



Izzók cseréje

Az elszívó LED technológiára épülő világítási rendszerrel van felszerelve.

A LEDEK optimális megvilágítást biztosítanak, a hagyományos lámpák élettartamánál 10-szer nagyobb élettartammal rendelkeznek, mindemellett 90%-os elektromos energia megtakarítást tesznek lehetővé.


A világítási rendszer cseréjét nem végezheti a felhasználó, működési rendellenesség esetén lépjen kapcsolatba a műszaki szervizszolgálattal.

HULLADÉK KEZELÉS

A készüléken található jelzés megfelel az elektromos és elektronikus berendezések hulladékairól szóló 2012/19/EC - UK SI 2013 No.3113 európai irányelvben (WEEE) foglalt előírásoknak.

A hulladékká vált termék szabályszerű elhelyezésével Ön segít elkerülni a környezettel és az emberi egészséggel kapcsolatos azon esetleges negatív következményeket, amelyeket a termék nem megfelelő hulladékkezelése egyébként okozhatna.



A terméken vagy a termékhez mellékelte dokumentumokon feltüntetett  jelzés arra utal, hogy ez a termék nem kezelhető háztartási hulladékként. Ehelyett a terméket a villamos és elektronikus berendezések újrahasznosítását végző telephelyek valamelyikén kell leadni.

Kiselejtezőskor a hulladékéltávolításra vonatkozó helyi környezetvédelmi előírások szerint kell eljárni.

A termék kezelésével, hasznosításával és újrahasznosításával kapcsolatos bővebb tájékoztatásért forduljon a lakóhelye szerinti polgármesteri hivatalhoz, a háztartási hulladékok kezelését végző társasághoz vagy ahhoz a bolthoz, ahol a terméket vásárolta.

A berendezést a következő szabványoknak megfelelően tervezték, gyártották, és ellenőrizték:

- Biztonság: EN/IEC 60335-1; EN/IEC 60335-2-31, EN/IEC 62233.
- Teljesítmény: EN/IEC 61591; ISO 5167-1; ISO 5167-3; ISO 5168; EN/IEC 60704-1; EN/IEC 60704-2-13; EN/IEC 60704-3; ISO 3741; EN 50564; IEC 62301.
- Elektromágneses összeférhetőség EMC: EN 55014-1; CISPR 14-1; EN 55014-2; CISPR 14-2; EN/IEC 61000-3-2; EN/IEC 61000-3-3.

A megfelelő használatot és a környezetre gyakorolt káros hatás mérséklését elősegítő javaslatok: Az elszívót a minimum sebességen kapcsolja be akkor, amikor a főzést megkezd, és hagyja néhány percig üzemelni még azt követően is, hogy a főzést befejezte. A berendezést csak akkor kapcsolja nagyobb sebességfokozatra, ha a főzés közben nagy mennyiségű füst vagy gőz keletkezik, és csak akkor használja az intenzív sebességet, ha arra ténylegesen szükség van. Cserélje ki a szénzsűrőket akkor, amikor a berendezés jelzi ennek szükségességét, így biztosíthatja, hogy a készülék hatékonyan nyeli el a szagokat. A megfelelő szűrőképesség biztosítása érdekében cserélje ki a zsirszűrőt akkor, amikor a berendezés erre figyelmeztet. A hatékonyság növelése és a zajszint csökkentése érdekében tanácsos a jelen útmutató által megadott maximális csőátmérőket alkalmazni.



MŰKÖDÉSI HIBÁK

Amennyiben úgy tapasztalja, hogy valami nem működik, mielőtt a Szervíz szolgálathoz fordulna, próbálja elvégezni az alábbi egyszerű ellenőrzéseket:

- Ha az elszívó nem működik
Ellenőrizze, hogy:
 - nincs-e áramkimaradás.
 - be van-e állítva a sebesség.
- Ha az elszívó alacsony teljesítményű
Ellenőrizze, hogy:
 - A kiválasztott motorsebesség megfelelő-e a keletkezett füst- és gőz elvezetésére
 - A konyha megfelelően szellőzött-e a működéshez szükséges levegő biztosításához.
 - A szénfilter nem használódott-e el (kivezetett verziójú páraelszívó).
- Ha az elszívó normál működés közben állt le:
Ellenőrizze, hogy:
 - nincs-e áramkimaradás.
 - a biztosíték nem kapcsolódott-e le.

Az esetleges működési hibák esetén, mielőtt a szakszervízhez fordulna, húzza ki a készülék villásdugóját az elektromos hálózatból legalább 5 másodpercre, majd próbálja újra áram alá helyezni. Amennyiben a hiba továbbra is fennáll, forduljon a szakszervízhez.

MŰSZAKI ADATOK

Magasság (cm)	Szélesség (cm)	Mélység (cm)	Kivezetőcső átmérője (cm)
 67-110  76-110	100	60	15

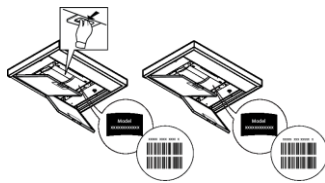


Készletben nem mellékelt termékek



A Biztonsági útmutatót, a Használati útmutatót, a termékspecifikációt és az energiafogyasztási adatokat letöltheti:

- a docs.whirlpool.eu honlapról
- a QR-kód segítségével
- Vagy **vegye fel a kapcsolatot a vevőszolgálattal** (a telefonszámot lásd a garanciafüzetben). Amikor a vevőszolgálatot hívja, kérjük, hogy készítse elő a termék azonosító lemezén látható adatokat.



ЖАЛПЫ ҚАУІПСІЗДІК

- Кез келген тазалау немесе техникалық қызмет көрсету жұмыстарын орындамас бұрын ашаны шығару немесе желілік қуат көзін ажырату арқылы сорғышты электр желісінен ажыратыңыз.
 - Орнату және техникалық қызмет көрсету жұмыстарын жүргізген кезде әрдайым жұмыс қолғабын киіңіз.
 - Бұл құрылғыны 8 жастағы және одан үлкен балалар, дене, сезу немесе ақыл-ой қабілеттері шектеулі тұлғалар немесе тәжірибесі мен білімі жоқ тұлғалар оны қауіпсіз жолмен пайдалануға қатысты нұсқау алып, ықтимал қауіптерді ұғынған жағдайда және бақылауда болғанда пайдалана алады.
- Балалардың басқару элементтерін өзгертуіне және құрылғымен ойнауына жол бермеу керек.
- Тазалау және өз бетінше техникалық қызмет көрсету жұмыстарын балалардың бақылаусыз жүргізуіне болмайды.
 - Асүй сорғышы басқа газ жағу құрылғыларымен немесе басқа отындармен пайдаланылған кезде, құрылғы орнатылған бөлме жеткілікті түрде желдетілуі қажет.
 - Сорғышты ішінен де, сыртынан да жүйелі түрде (КЕМ ДЕГЕНДЕ АЙЫНА БІР РЕТ) тазалау керек, әрдайым техникалық қызмет көрсету нұсқаулығында берілген нұсқауларды орындаңыз.
 - Сорғыштың тазалау стандарттарын және сүзгілерді алмастыру және тазалау бойынша ережелерді
 - ұстанбау нәтижесінде өрт туындауы мүмкін. Тамақты тікелей сорғыш астында жандыруға қатаң тыйым салынады.
 - Шамды ауыстыру үшін тек осы нұсқаулықтың «Техникалық қызмет көрсету/Шамдарды ауыстыру» бөлімінде көрсетілген шам түрін пайдаланыңыз.
- Ашық жалынды пайдалану сүзгілер үшін зиян және өрт қаупін туындатуы мүмкін, сондықтан оған ешқашан жол бермеу керек. Майдың шамадан тыс қызып немесе жанып кетпеуін қамтамасыз ету үшін, тамақты абайлап қуыру қажет.
- САҚ БОЛЫҢЫЗ:** Сорғыштың қолжетімді бөліктері тамақ дайындау құрылғылары пайдаланылған кезде қызып кетуі мүмкін.
- Орнату толық аяқталмайынша құрылғыны электр желісіне қоспаңыз.
 - Будың шығуына қарсы қолданылатын техникалық және қауіпсіздік шараларын ескере отырып, жергілікті билік органдары бекіткен ережелерді мұқият орындау маңызды.
 - Осы құрылғының түтік арқылы бағыттау жүйесін газ немесе басқа отынды жағатын құрылғылардан шыққан буларды шығару сияқты басқа да мақсаттарда пайдаланылатын кез келген қолданыстағы

желдету жүйесіне жалғау қажет. Электр тогының соғу қаупіне байланысты шамы дұрыс бекітілмеген сорғышты пайдаланбаңыз және қалдырмаңыз.

▲ ЕСКЕРТУ! Бұрандаларды немесе бекіту құрылғысын осы нұсқауларға сәйкес орнатпау электрлік қауіптерге әкелуі мүмкін.

• Торлары тиісті түрде бекітілмеген сорғышты ешқашан пайдаланбаңыз.

• Арнайы көрсетілмейінше, сорғышты ЕШҚАШАН тірек беті ретінде пайдаланбаңыз.

• Тек орнату үшін өніммен бірге берілген бекіту бұрандаларын пайдаланыңыз, егер берілмесе, бұранданың тиісті түрін сатып алыңыз.

• Бұрандалардың орнату нұсқаулығында көрсетілген дұрыс ұзындығын пайдаланыңыз.

• Күмәндансаңыз, өкілетті қызмет көрсету бойынша жәрдем көрсету орталығына немесе тиісті маманданған тұлғаға хабарласыңыз.

▲ ЕСКЕРТУ! Бағдарламалаушымен, таймермен, бөлек қашықтан басқару жүйесімен немесе автоматты түрде қосылатын кез келген басқа құрылғымен қолданбаңыз.

Өте жас балалар (0-3 жастағы) құрылғыға жақындамауы тиіс. Жас балалар (3-8 жастағы) үздіксіз бақылаусыз құрылғыдан аулақ болуы тиіс.

▲ АБАЙЛАҢЫЗ: бұл құрылғы таймер немесе бөлек қашықтан басқару жүйесі сияқты сыртқы қосу-өшіру құрылғысымен пайдалануға арналмаған.

▲ Бұл құрылғы кәсіби қолданысқа арналмаған. Бұл құрылғыны сыртта пайдаланбаңыз.

▲ Құрылғыны екі немесе одан көп адам ұстауы және орнатуы керек, әйтпесе жарақат алу қаупі болады.

▲ Орнатуды, сонымен қатар су беру желісін (егер болса), электрлік желілерді жалғауды және жөндеу жұмыстарын білікті маман орындауы тиіс.

Орнатылған соң, қаптамадан қалған қоқыстарды (пластик, пенопласт бөлшектер және т.б.) балалардың қолы жетпейтін жерде сақталуы тиіс, әйтпесе жұтып қою қаупі туындайды.

Егер ылғалды немесе жалаң аяқ болсаңыз, бұл құрылғыны пайдаланбаңыз.

Бүмен тазалау құрылғыларын ешқашан пайдаланбаңыз, әйтпесе электр тогына түсу қаупі болады.

Қаптама 100% қайта өңдеуге болатын материалдан тұрады және ол қайта өңдеуге жіберу таңбасымен

белгіленген 

Қақпақ осы кітапшада көрсетілген суреттерден өзгеше болып көрінуі мүмкін. Дегенмен, қолдану, техникалық қызмет көрсету және орнату нұсқаулары бірдей болады.

Дайындаушы аспапты пайдалану барысында бұл нұсқауда белгіленген қолдану шарттарын сақтамағанның кесірінен болған оқпалық өрт пен зақым үшін жауап бермейді. Сорғыш тек қана үйде пайдалануға болатындай етіп жобаланған.

• Кезкелген уақытта бұл нұсқаумен пайдалану үшін ақтаған маңызды. Бұйым сатылған, тапсырған немесе жойылған кезде ол онымен бірге қалғанына көз жеткізіңіз.

• Нұсқауды мұқият оқыңыз: онда бұйымды қондыру, пайдалану және қауыпсіздік жөнінде маңызды мәлімет бар.

• Бұйымның электрондық немесе механикалық конструкциясында немесе сорғыш вентиляциялық каналдарында ешқандай да өзгерістер жасамаңыз.

- Орнатуды орындамас бұрын берілген барлық құрамдастардың зақымдалмағанын тексеріңіз немесе орнатуды жалғастырмаз бұрын делдалға хабарласыңыз.
- Сорғыштың төменгі қыры мен ыдыс астындағы тіреуіш жазықтығының ара қашықтығы электр плитасы үшін 50см, ал газ немесе біріктірілген плиталар үшін 65см ден кем болмауы тиіс.

Егер нұсқауда газ плитасын орнатуға артығырақ ара қашықтық белгіленген болса, оны ескеріңіз.

ЭЛЕКТР БАЙЛАНЫСЫ

Желінің кернеуі аспаптың ішінде орналасқан тақтайшада белгіленген техникалық деректердей кернеуге сәйкес келуі керек. Егер сорғыш вилкамен жабдықталған болса, орнатылғаннан кейін де істеуге болатын, қол жетерлік жерде болуы тиіс, істеп тұрған ережелерге сәйкес алмалы-салмалы штепсельге сорғышты қосыңыз. Егер сорғыш вилкамен жабдықталмаған болса (желіге тура қосылу), немесе алмалы-салмалы штепсель орнатылғаннан кейін де қол жетерлік жерде болмаса, онда орнату нұсқауына сәйкес 3-дәрежедегі асқын кернеуді болдырмайтын және желінің толық ашылуын қамтамасыз ететін тиісті екіполюстік ажыратқышты пайдаланыңыз.

▲ ЕСКЕРТУ!

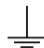
қорек желісіне сорғыштың электрлік жүйесін қосу алдында қорек кабелі дұрыс монтаждалғанына көз жеткізіңіз.

Егер кабель ашамен бірге берілмесе, сымдарды мына кестеге сай жалғаңыз:

Электр кернеуі және жиілігі

Түтін тартқыштың ішіндегі тақтайда көрсетілген кернеуді қараңыз.

Сым жалғау

 : сары/жасыл
N : көк (бейтарап)
L : қоңыр (фаза)

Қуат кабелін ауыстыру

Суыру қалпағы арнайы нәр беруші сымжелімен жабдықталған. Сымжелі бұзылған жағдайда оны ауыстыру үшін тиісті қызмет көрсету орталықтарына барыңыз.

АУА ТАРТУ САҢЫЛАУЫ

(сору нұсқалары үшін)

Сорғышты қабырғадағы сорғыш құбырлары мен ауа шығаратын тесіктердей, сол диаметрдегі тесіктерге қосыңыз (біріктіруші фланец).

Қабырғадағы сорғыш құбырлары мен кемдеу диаметрдегі тесікті пайдалану, сору қуатын нашарлатып, гүрлдеуін күшейтеді.

! Қажетті минималды ұзындықтағы түтікті қолданыңыз.

! Барынша көп иілімі бар түтікті қолданыңыз (иілімнің максималды бұрышы: 90°).

! Түтіктің көлденең қимасында түбегейлі өзгерістерді болдырмаңыз.

! Бұл ережелер орындалмаған жағдайда компания ешбір жауапкершілікті көтермейді.

СҮЗГІЛЕУ НЕМЕСЕ ТҮТІК АРҚЫЛЫ БАҒЫТТАУ?

! Пеш қақпағы сору нұсқасында пайдалануға дайын.

Қақпақты сүзгілеу функциясы бар нұсқада пайдалану үшін арнайы САЙМАНДАР ЖИНАҒЫ орнатылуы тиіс.

Осы нұсқаулықтың бірінші беттерінде САЙМАНДАР ЖИНАҒЫНЫҢ жабдықталғандығын немесе жеке сатып алу қажеттігін тексеріңіз.

Ескертпе: Жабдықталған болса, қақпаққа кейбір жағдайда қосымша белсендірілген көмір сүзгілеу жүйесін орнату қажет болуы мүмкін.

Қақпақты сору нұсқасынан сүзгілеу нұсқасына ауыстыру туралы ақпарат осы нұсқаулықта берілген.

Түтік арқылы бағыттау нұсқасы

Бу сыртқа біріктіруші фланецке қосылған сорғыш құбыр арқылы шығарылады.

⚠ ЕСКЕРТУ!

Сорғыш құбырдың диаметрі біріктіруші сақинаның диаметрімен теңдес болу керек.

⚠ ЕСКЕРТУ!

Сорғыш құбыры сорғыш жинақтамасымен жеткізілмейді, оны бөлек сатып алу керек.

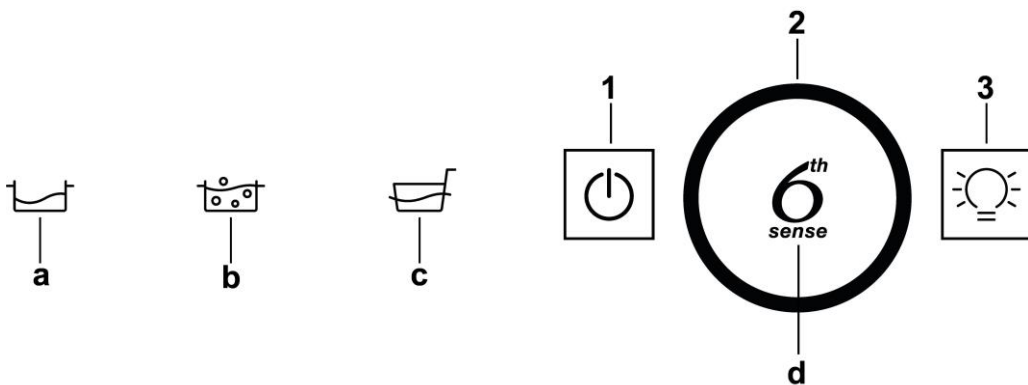
Сүзгі нұсқасы

Ол үшін бір көмір сүгісі қажет, оны әдеттегі сатушылардан алуға болады.

Сүзгі шығарылған ауаны жоғарғы шығыс торы арқылы бөлмеге қайта жіберу алдыда оны май мен иістерден тазартады.

БАСҚАРУ ЭЛЕМЕНТТЕРІ

Суыру желдеткішінің жылдамдығын бақылау үшін және плитаның үстіне жарық түсіру үшін, суыру қалпағы басқару қалқанымен жабдықталған.



1. Мотор ҚОСУ/ӨШІРУ
2. Жылдамдықты таңдау (көбейту/азайту)

Индикатор шамдары:

- a. ең аз экстракция жылдамдығымен жұмыс істейді
- b. орташа экстракция жылдамдығымен жұмыс істейді
- c. максималды экстракция жылдамдығымен жұмыс істейді
- d. қарқынды экстракция жылдамдығымен жұмыс істейді

ЕСКЕРТУ = Қарқынды экстракция жылдамдығы 5 минутқа есептелген, содан кейін мотор орташа жылдамдыққа оралады.

3. Шам ҚОСУЛЫ/ӨШІРУЛІ

ЕСКЕРТУ = Функция пайдаланылған кезде артқы жарықтың жарықтығы артады.

ТЕХНИКАЛЫҚ ҚЫЗМЕТ КӨРСЕТУ

Тазалау

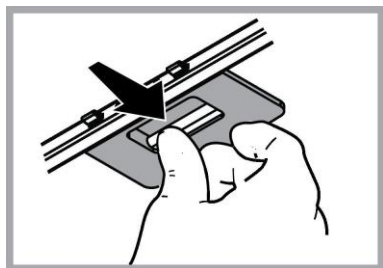
Тазалау үшін **ТЕК** бейтарап жуғыш затпен суланған арнайы шүберекті пайдаланыңыз. **ҚҰРЫЛҒЫНЫ НЕМЕСЕ ТАЗАЛАУ ҚҰРАЛЫН ПАЙДАЛАНБАҢЫЗ!** Абразиялық қоспасы бар затты пайдаланбаңыз. **СПИРТТІ ПАЙДАЛАНБАҢЫЗ!**

Майды тазарту сүзгілеріне техникалық қызмет көрсету

Ас дайындаудағы май бөлшектерін ұстап қалады. Филтрді ай сайын жуғыш заттармен қолмен немесе төмен температурада және үнемді жуу цикліндегі ыдыс жуғыш машинасында тазалап тұру керек (немесе филтрді қанықтыру жүйесі, егер сіздің үлгіде болса, берілген қажеттілікті көрсеткен жағдайда).

Майды тазалау филтри ыдыс жуғыш машинасымен жуғанда өңсізденуі мүмкін. Бірақ оның тазалау сипаты мүлде өзгермейді.

Май сүзгісін алып тастау үшін серіппелі босату тұтқасын тартыңыз



Көмір сүзгісіне қызмет көрсету

Ас пісірген кезде жарамсыз иісті ұстап қалады.

Көмір филтрінің қанығуы, асүйдің түрі мен көмір филтрінің жүйелі тазаланылуына байланысты ұзақ уақыт қолданғаннан кейін болады. Қандай жағдай болмасын, картриджді кемінде 4 ай сайын ауыстырып тұру қажет (немесе филтрдің қанығу индикатор жүйесі, егер сіздің моделіңізге орнатылған болса, ауыстырудың қажет екенін көрсеткен жағдайда).

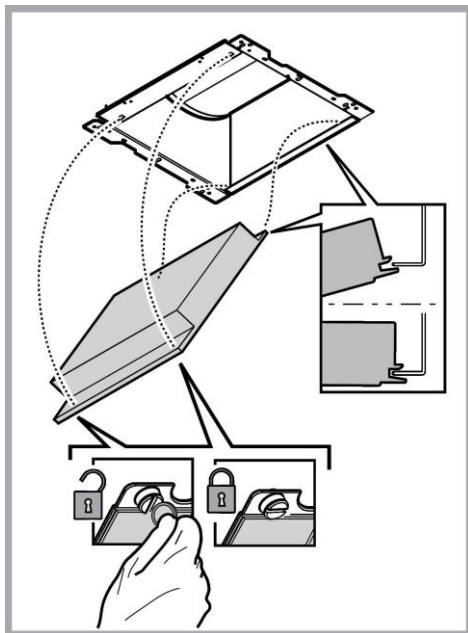
Жууға немесе қалпына келтіруге **БОЛМАЙДЫ**.

Құрастыру

Көмір сүзгісін қақпақтың алдымен металл дөңес жерінің артына, одан кейін алдына екі түймемен іліңіз.

Бөлшектеу

Көмір сүзгісін қақпаққа 90° бұрышында ұстайтын тұтқаларды бұру арқылы алып тастаңыз.



Лампаларды ауыстыру

Корпус жарық диод технологиясына негізделген жарық жүйесімен жабдықталған.

Жарық диодтары оңтайлы жарықты, әдеттегі шамдардан 10 есе артық ұзақтықты қамтамасыз етеді және 90% электр энергиясын сақтауға мүмкіндік береді.


Жарықтандыру жүйесін пайдаланушы ауыстыра алмайды, егер ол жұмыс істемесе, тұтынушыларға қызмет көрсету орталығына хабарласыңыз.

ЖОЮ

Электрлік және электрондық аспаптарды қайта пайдаға асыру жөніндегі 2012/19/EC - UK SI 2013 No.3113 Европалық директивке (WEEE) сәйкес берілген өнім таңбаланды.

Берілген өнімді дұрыс қайта пайдаға асыруды қамтамасыз етумен, Сіз қоршаған ортаға және адам денсаулығына кері әсерін тигізу ді болдырмауға көмектесесіз.



Аспаптағы немесе жолдама құжаттағы  таңбасы берілген аспапты қайта пайдаға асыруда әдеттегі тұрмыстық қалдық ретінде игеруге болмайтынын көрсетеді. Оның орнына электрлік және электрондық аспаптарды қайта пайдаға асыруға арналған қабылдау пунктіне тапсыру керек.

Бұзуға тапсыру аспапты қайта пайдаға асыру жөніндегі жергілікті ережелерге сәйкес шығарылуы тиіс. Бұндай өнімдерді пайдалану, қайта пайдаға асыру ережелері жөнінде толық ақпаратты жергілікті әкімшілік орындарынан, қалдықтарды қайта пайдаға асыру қызметінен немесе берілген өнімді Сіз сатып алған дүкенен ала аласыз.

Құрылғы келесілерге сай жобаланған, сыналған және жасап шығарылған:

- Қауіпсіздік: EN/IEC 60335-1; EN/IEC 60335-2-31; EN/IEC 62233.
- Өнімділік: EN/IEC 61591; ISO 5167-1; ISO 5167-3; ISO 5168; EN/IEC 60704-1; EN/IEC 60704-2-13; EN/IEC 60704-3; ISO 3741; EN 50564; IEC 62301.
- EMC: EN 55014-1; CISPR 14-1; EN 55014-2; CISPR 14-2; EN/IEC 61000-3-2; EN/IEC 61000-3-3.

Қоршаған ортаға әсерді азайту үшін дұрыс пайдалану туралы нұсқаулар:

Әзірлеуді бастағанда қақпақты ең аз жылдамдықпен қосыңыз және әзірлеу аяқталғаннан кейін біраз минут бойы жұмыс істетіңіз. Жылдамдықта тек түтіннің және будың үлкен мөлшері жағдайында арттырыңыз және күшейту жылдамдығын(қтарын) тек шекті жағдайларда пайдаланыңыз. Жақсы жағымсыз иісті азайту тиімділігін сақтау үшін қажет болғанда көмір сүзгісін(лерін) ауыстырыңыз. Жақсы май сүзгісі тиімділігін сақтау үшін қажет болғанда май сүзгісін(лерін) ауыстырыңыз. Тиімділікті оңтайландыру және шуды барынша азайту үшін осы нұсқаулықта көрсетілген өткізу жүйесінің ең үлкен диаметрін пайдаланыңыз.



АҚАУЛЫҚТАР

Егер құрылғының бір бөлігі дұрыс жұмыс істемесе, Техникалық қызмет көрсету бөліміне қоңырау шалмас бұрын келесі әрекеттерді орындаңыз:

- Қақпақ жұмыс істемесе:
 - Төмендегілерді тексеріңіз:
 - Қуат ажыратылмаған.
 - Жылдамдық таңдалған.
- Қақпақ жеткіліксіз қызмет атқарса:
 - Төмендегілерді тексеріңіз:
 - Таңдалған мотор жылдамдығы босатылған түтін мен будың мөлшері үшін жеткілікті.
 - Асүй ауа кірісі үшін жеткілікті желдетіледі.
 - Көмір сүзгісі тозбаған (қақпақ сүзу нұсқасында).
- Қақпақ қалыпты әрекет барысында өшірілсе:
 - Төмендегілерді тексеріңіз:
 - Қуат ажыратылмаған.
 - көп полюсті ажырату құрылғысы өшірілмеген.

Егер қақпақ тиісінше жұмыс істемесе, оны сымды тарту арқылы желілік розеткадан 5 секундқа қысқа уақытқа ажыратыңыз. Содан кейін оны қайтадан жалғаңыз да, Техникалық қолдау қызметіне хабарласу алдында қайта қосып көріңіз.

ТЕХНИКАЛЫҚ ДЕРЕКТЕР

Биіктігі (см)	Ені (см)	Тереңдігі (см)	Түтін шығару құбыры Ø (см)
 67-110  76-110	100	60	15



Өніммен бірге берілмеген құрамдастар



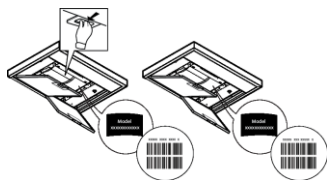
Қауіпсіздік нұсқаулығын,
пайдалану нұсқаулығын,
техникалық деректер парағын және
электр деректерін келесідей жүктеп
алуға болады:

• Веб-сайтымызға кіру:

docs.whirlpool.eu

• QR кодын пайдалану

• Болмаса, **Сатудан кейінгі қызмет көрсету орталығымен** хабарласу (телефон нөмірін кепілдік буклетінен көріңіз). Сатудан кейінгі қызмет көрсету орталығымен хабарласқан кезде, өнімнің деректер тақтайшасындағы кодты бөріңіз.



OGÓLNE BEZPIECZEŃSTWO

- Przed każdym rozpoczęciem czyszczenia lub konserwacji należy odłączyć okap od zasilania elektrycznego poprzez wyciągnięcie wtyczki lub odłączenie głównego bezpiecznika pomieszczenia.
 - W trakcie wykonywania wszystkich prac instalacyjnych i konserwacyjnych należy używać rękawice robocze.
 - Urządzenie może być używane przez dzieci w wieku nie niższym niż 8 lat oraz osoby o ograniczonej zdolności fizycznej, czuciowej lub psychicznej lub pozbawione doświadczenia czy niezbędnej wiedzy, pod warunkiem, że pozostaną pod nadzorem lub zostaną poinstruowane o bezpiecznym używaniu urządzenia i rozumieją niebezpieczeństwa z nim związane. Dzieci powinny być pilnowane, aby nie bawiły się urządzeniem.
 - Czyszczenie i konserwacja nie może być wykonywana przez dzieci pozostawione bez opieki.
 - Pomieszczenie, w którym zainstalowany jest okap powinno posiadać odpowiednią wentylację, kiedy jest on używany jednocześnie z innymi urządzeniami zasilanymi gazem lub innymi paliwami.
 - Okap powinien być często czyszczony zarówno wewnątrz jak i na zewnątrz (PRZYNAJMNIEJ RAZ NA MIESIĄC), należy bezwzględnie przestrzegać wskazówek zawartych w instrukcji konserwacji. Nieprzestrzeganie zasad czyszczenia okapu oraz wymiany i czyszczenia filtrów może spowodować ryzyko powstania pożaru.
 - Jest surowo zabronione przygotowywanie posiłków z płomieniem pod okapem.
 - Aby wymienić lampkę należy użyć wyłącznie ten rodzaj lampki, który został wskazany w rozdziale konserwacja/wymiana lampki w niniejszej instrukcji.
- Używanie wolnego płomienia jest szkodliwe dla filtrów i może spowodować pożary, dlatego należy tego unikać w każdym przypadku.
- Smażenie musi być wykonywane pod kontrolą, aby uniknąć zapalenia się rozgrzanego oleju.
- UWAGA:** Kiedy powierzchnia do gotowania jest włączona dostępne części okapu mogą się rozgrzać.
- Nie podłączać urządzenia do sieci elektrycznej dopóki instalacja nie zostanie całkowicie zakończona.
 - Jeśli chodzi o normy techniczne i bezpieczeństwa, których należy przestrzegać podczas wydalania oparów należy rygorystycznie przestrzegać zasad przewidzianych w regulaminie właściwych organów lokalnych.
 - Zasyrane powietrze nie może być przekazane do kanału używanego do wydalania oparów wytworzonych przez urządzenia spalania gazów lub innych paliw.
- ▲ UWAGA!** Niezainstalowanie śrub i urządzeń mocujących zgodnie z instrukcją może spowodować zagrożenia natury elektrycznej.
- Nie należy używać ani pozostawiać okapu pozbawionego poprawnie zamontowanych lampek w związku z możliwością porażenia prądem.

- Nigdy nie używać okapu bez poprawnie zamontowanej kratki!
 - Okap nie może być NIGDY używany, jako płaszczyzna oparcia, o ile nie zostało to wyraźnie wskazane.
 - Należy używać do instalacji wyłącznie śrub mocujących będących na wyposażeniu z produktem lub jeśli ich nie ma na wyposażeniu, zakupić właściwy rodzaj śrub.
 - Używać śrub o odpowiedniej długości, które są opisane w Przewodniku do instalacji.
 - W razie wątpliwości, skontaktować się z odnośnym autoryzowanym centrum obsługi lub z wykwalifikowanym personelem.
- ▲ UWAGA!** Nie stosować w połączeniu z oddzielnym programatorem, timerem, zdalnym sterowaniem lub każdym innym urządzeniem, które uaktywnia się automatycznie.

Trzymać dzieci poniżej 3 roku życia z dala od urządzenia. Bez ciągłego nadzoru osoby dorosłej, trzymać urządzenie z dala od dzieci poniżej 8 roku życia.

- ▲ **UWAGA:** urządzenie nie jest przeznaczone do uruchamiania za pomocą urządzenia zewnętrznego lub oddzielnego systemu zdalnego sterowania.
 - ▲ Omawiane urządzenie nie jest przeznaczone do użytku profesjonalnego. Nie używać urządzenia na zewnątrz.
 - ▲ Aby uniknąć ryzyka obrażeń, urządzenie powinny instalować i przenosić dwie osoby.
 - ▲ Montaż, który obejmuje również ewentualne połączenia do zasilania wodą (jeżeli przewidziane) oraz podłączenia elektryczne jak również interwencje naprawcze może być wykonywany wyłącznie przez wykwalifikowany personel.
- Po zainstalowaniu, przechowywać materiał opakowaniowy (plastikowe elementy, styropian itd.) poza zasięgiem dzieci, aby uniknąć ryzyka uduszenia. .

Nie używać urządzenia, gdy ciało i ręce są mokre lub w gołych stopach.

Nigdy nie używać parowych urządzeń czyszczących – ryzyko porażenia prądem.



Materiał opakowaniowy nadaje się w 100% do recyklingu i jest oznaczony symbolem

Okap może różnić się pod względem wyglądu od okapu przedstawionego na rysunkach niniejszej instrukcji, ale zalecenia dotyczące obsługi, konserwacji i montażu pozostają niezmienione.

Przy przeprowadzaniu instalacji urządzenia należy postępować według wskazówek podanych w niniejszej instrukcji. Producent uchyla się od wszelkiej odpowiedzialności za uszkodzenia wynikłe na skutek instalacji niezgodnej z informacjami podanymi w niniejszej instrukcji. Okap służy do zasysania oparów kuchennych i jest przeznaczony wyłącznie do użytku domowego.

- Należy zachować instrukcję obsługi aby móc z niej skorzystać w każdej chwili. W przypadku sprzedaży urządzenia lub przeprowadzki, należy upewnić się, że dołączono do niego instrukcję obsługi.
- Uważnie zapoznać się z treścią instrukcji obsługi, która dostarcza dokładne informacje dotyczące instalacji, użytkowania i pielęgnacji urządzenia..
- Nie dokonywać zmian elektrycznych czy mechanicznych w urządzeniu lub na przewodach odprowadzających.
- Przed przystąpieniem do montażu urządzenia należy sprawdzić czy któraś z jego części składowych nie jest uszkodzona. Jeśli tak, należy skontaktować się ze sprzedawcą i zaprzestać kontynuowania instalacji.

• Minimalna odległość między powierzchnią, na której znajdują się naczynia na urządzeniu grzejnym a najniższą częścią okapu kuchennego powinna wynosić nie mniej niż 50cm w przypadku kuchenek elektrycznych i nie mniej niż 65cm w przypadku kuchenek gazowych lub typu mieszanego.

Jeżeli w instrukcji zainstalowania kuchni gazowej podana jest większa odległość, należy dostosować się do takich wskazań.

POŁĄCZENIE ELEKTRYCZNE

Napięcie sieciowe musi odpowiadać napięciu wskazanemu na tabliczce umieszczonej w wewnętrznej części okapu. Jeśli okap jest wyposażony we wtyczkę, należy ją podłączyć do gniazdka zgodnego z obowiązującymi normami i umieszczonego w łatwo dostępnym miejscu, również po zakończonej instalacji.

Jeśli okap nie jest wyposażony we wtyczkę (bezpośrednie podłączenie do sieci) lub wtyczka nie znajduje się w łatwo dostępnym miejscu, również po zakończonej instalacji, należy zastosować znormalizowany wyłącznik dwubiegunowy, który umożliwi całkowite odcięcie od sieci elektrycznej w warunkach nadprądowych kategorii III, zgodnie z zasadami instalacji.


▲ UWAGA! Przed ponownym podłączeniem obwodu okapu do zasilania i sprawdzeniem poprawności jego działania należy się zawsze upewnić, czy przewód zasilający jest prawidłowo zamontowany.

Jeżeli kabel nie jest wyposażony we wtyczkę, należy podłączyć przewody zgodnie z poniższą tabelą:

Napięcie sieciowe i jego częstotliwość

Sprawdzić wartość wskazaną na tabliczce danych, znajdującej się wewnątrz okapu.

Podłączenie przewodu

 : żółty/zielony
N : niebieski
L : brązowy

Wymiana kabla zasilającego

Okap jest wyposażony w specjalny przewód zasilający.

W razie uszkodzenia tego przewodu, należy go zamówić w biurze obsługi serwisowej.

ODPROWADZANIE POWIETRZA

(dla wersji zasysających)

Podłączyć okap do przewodu wentylacyjnego rurą odprowadzającą o średnicy odpowiadającej rozmiarowi wylotu z okapu (kołnierz łączeniowy).

Użycie przewodów o mniejszym przekroju powoduje zmniejszenie zdolności zasysania oraz drastyczne zwiększenie hałaśliwości okapu.

Producent, zatem, nie ponosi żadnej odpowiedzialności za ten stan.

! Używać jak najkrótszego przewodu.

! Używać przewodu o jak najmniejszej liczbie zagięć (maksymalny kąt zagięcia: 90°).

! Unikać radykalnych zmian przekroju przewodu.

! Producent nie ponosi żadnej odpowiedzialności w przypadku nie przestrzegania powyższych norm.

FILTRUJĄCY CZY ZASYSAJĄCY?

! Wasz okap gotowy jest do użytkowania w wersji zasysającej.

Aby używać okapu w wersji filtrującej należy zainstalować odpowiedni KOMPLET AKCESORIÓW.

Sprawdzić na pierwszych stronach niniejszej instrukcji czy KOMPLET AKCESORIÓW jest dostarczany na wyposażeniu czy też należy go zakupić oddzielnie.

Uwaga: Jeśli znajduje się na wyposażeniu, to w niektórych przypadkach, dodatkowy system filtrowania na bazie aktywnego węgla mógłby być już zainstalowany na okapie.

Informacje dotyczące transformacji okapu z wersji zasysającej na wersję filtrującą zostały umieszczone w niniejszej instrukcji.

Wersja zasysająca

Opary są usuwane na zewnątrz rurą odprowadzającą zamocowaną do kołnierza łączeniowego.

⚠ UWAGA!

Rura odprowadzająca nie jest dostarczona w komplecie z urządzeniem i należy ją zakupić. Średnica rury odprowadzającej musi być równa średnicy kołnierza łączeniowego.

⚠ UWAGA!

Jeśli okap jest zaopatrzony w filtry węglowe, to muszą one zostać zdjęte.

Wersja filtrująca

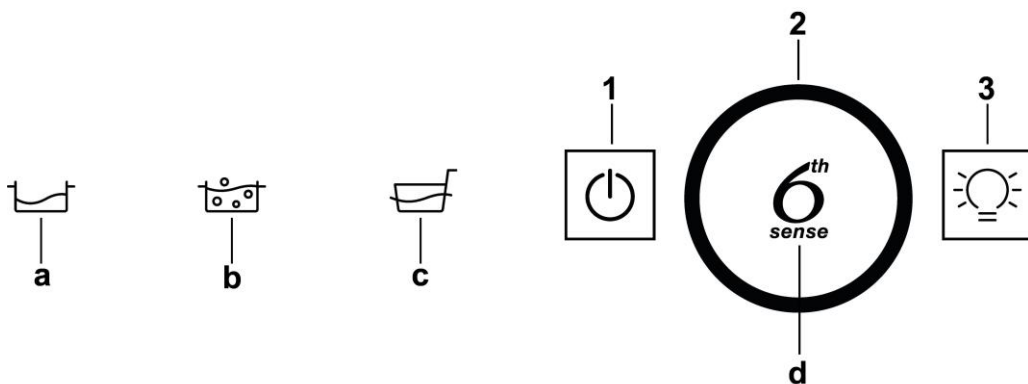
Aby używać okapu w tej wersji należy zainstalować filtr węglowy.

Można go kupić u sprzedawcy.

Zasysane powietrze jest oczyszczane z tłuszczu i zapachów zanim zostanie zwrócone do pomieszczenia przez kratki w górnej osłonie komina.

KOMENDY

Okap jest wyposażony w panel sterowania z regulacją prędkości zasysania i z włącznikiem oświetlenia płyty kuchennej.



1. **WŁĄCZANIE/ WYŁĄCZANIE silnika**
2. **Wybór prędkości (większa/mniejsza)**

Kontrolki:

- a. praca przy maksymalnej mocy wyciągu
- b. praca przy średniej mocy wyciągu
- c. praca przy maksymalnej mocy wyciągu
- d. praca przy intensywnej mocy wyciągu

UWAGA: wyciąg działa z intensywną mocą przez 5 minut, po czym silnik powraca do średniej mocy.

3. **Włącz/wyłącz oświetlenie**

UWAGA: jasność podświetlania przycisków sterujących jest większa, kiedy funkcja jest aktywna.

KONSERWACJA

Czyszczenie

Do czyszczenia używać **WYŁĄCZNIE** szmatki nawilżonej płynnymi neutralnymi środkami czyszczącymi. **DO CZYSZCZENIA NIE NALEŻY UŻYWAĆ NARZĘDZI ANI PRZYRZĄDÓW!** Unikać stosowania produktów zawierających środki ściernie. **NIE STOSOWAĆ ALKOHOLU!**

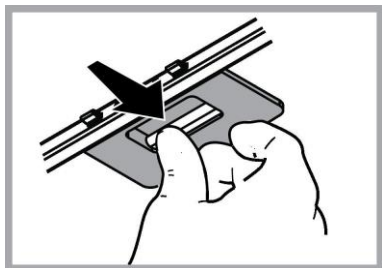
Konserwacja filtrów przeciw tłuszczowym

Zatrzymuje cząstki tłuszczu pochodzące z gotowania.

Musi być czyszczony co najmniej raz w miesiącu (lub gdy wskaźnik zanieczyszczenia filtrów – jeżeli wasz model okapu posiada wskaźnik – informuje o konieczności jego wymiany), za pomocą nieagresywnego środka czyszczącego, ręcznie lub w zmywarce w niskiej temperaturze i krótkim cyklu mycia.

Podczas mycia w zmywarce metalowy filtr tłuszczowy może się odbarwić, ale nie zmienia się jego charakterystyczne cechy filtrujące.

Aby wyjąć filtr tłuszczowy należy pociągnąć za klamkę sprężynową.



Konserwacja filtra węglowego

Zatrzymuje przykre zapachy pochodzące z gotowania.

Nasylenie filtra następuje po mniej lub bardziej długim okresie użytkowania w zależności od rodzaju kuchenki i od regularności z jaką jest wykonywane czyszczenie filtra przeciw tłuszczowego. Wkład filtra powinien być w każdym razie wymieniony po upływie nie więcej niż czterech miesięcy (lub, gdy wskaźnik nasycenia filtra sygnalizuje konieczność wymiany filtra – jeżeli posiadany model jest wyposażony w taki wskaźnik).

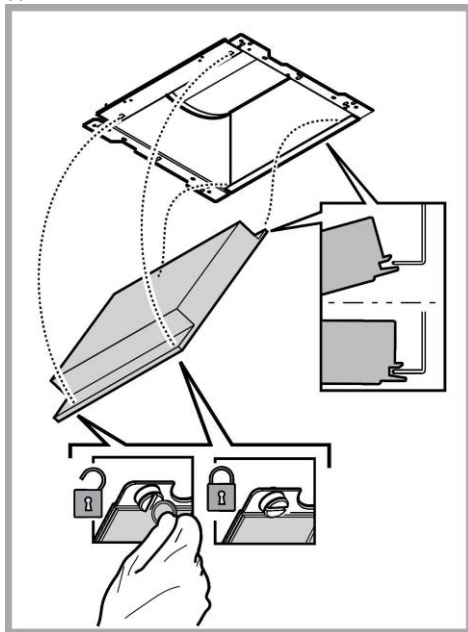
NIE wolno myć lub regenerować filtra.

Montaż

Włóż filtr węglowy najpierw z tyłu do metalowej kasety okapu, a następnie zamocować z przodu, za pomocą dwóch pokręteł.

Demontaż

Wyjąć filtr węglowy obracając pokręta mocujące do okapu o 90°.



Wymiana żarówek

Okap zaopatrzony jest w system oświetlenia, który bazuje się na technologii LED.

LED gwarantują optymalne oświetlenie, trwałość 10 razy większą od lamp tradycyjnych i pozwalają zaoszczędzić 90% energii elektrycznej.


Użytkownik nie może wymieniać systemu oświetlenia, w razie nieprawidłowości należy skontaktować się z serwisem obsługi.

ZŁOMOWANIE

Niniejsze urządzenie posiada oznaczenia zgodnie z Dyrektywą Unijną 2012/19/EC - UK SI 2013 No.3113 w sprawie zużytego sprzętu elektrycznego i elektronicznego (WEEE).

Zapewniając prawidłowe złomowanie niniejszego urządzenia, przyczynią się Państwo do ograniczenia ryzyka wystąpienia negatywnego wpływu produktu na środowisko i zdrowie ludzi, które mogłoby zaistnieć w przypadku niewłaściwej utylizacji urządzenia.



Symbol  na urządzeniu lub opakowaniu oznacza, że tego produktu nie można traktować jak innych odpadów komunalnych. Należy oddać go do właściwego punktu zbiórki i recyklingu sprzętów elektrycznych i elektronicznych.

Właściwa utylizacja i złomowanie pomagają w eliminacji niekorzystnego wpływu złomowanych urządzeń na środowisko oraz zdrowie. Aby uzyskać szczegółowe dane dotyczące możliwości recyklingu niniejszego urządzenia, należy skontaktować się z lokalnym urzędem miasta, służbami oczyszczania miasta lub sklepem, w którym produkt został zakupiony.

Urządzenie zostało zaprojektowane, przetestowane i wyprodukowane zgodnie z następującymi warunkami:

- Bezpieczeństwo: EN/IEC 60335-1; EN/IEC 60335-2-31, EN/IEC 62233.
- Wydajność: EN/IEC 61591; ISO 5167-1; ISO 5167-3; ISO 5168; EN/IEC 60704-1; EN/IEC 60704-2-13; EN/IEC 60704-3; ISO 3741; EN 50564; IEC 62301.
- EMC: EN 55014-1; CISPR 14-1; EN 55014-2; CISPR 14-2; EN/IEC 61000-3-2; EN/IEC 61000-3-3.

Sugestie dotyczące prawidłowego użytkowania w celu zmniejszenia wpływu na środowisko:

Włączyć okap na minimalne obroty w momencie rozpoczęcia gotowania i zostawić go włączony przez kilka minut po zakończeniu gotowania. Zwiększać obroty jedynie w przypadku dużej ilości dymu i pary oraz używać wysokich obrotów tylko w ekstremalnych sytuacjach. W razie potrzeby wymienić filtr/filtry węglowe, aby utrzymać dobrą skuteczność redukcji zapachów. W razie konieczności wyczyścić filtr/filtry smaru, aby utrzymać dobrą wydajność filtra smaru. Używać maksymalnej średnicy systemu wentylacyjnego wskazanej w niniejszej instrukcji, w celu optymalizacji wydajności i minimalizacji hałasu.



NIEPRAWIDŁOŚCI FUNKCJONOWANIA

Jeśli wydaje się, że coś nie działa prawidłowo, przed wezwaniem Serwisu Technicznego, należy wykonać następujące proste kontrole:

- Jeśli okap nie działa:
Sprawdzić czy:
 - nie nastąpiło przerwanie dopływu prądu.
 - została wybrana jakaś prędkość działania.
- Jeśli okap ma słabą wydajność:
Sprawdzić czy:
 - Wybrana prędkość silnika jest wystarczająca dla uwolnionej ilości dymu i oparów.
 - Kuchnia jest wystarczająco przewietrzona pozwalając na pobór powietrza.
 - Filtr węglowy nie jest zużyty (okap w wersji filtrującej).
- Jeśli okap wyłączył się w trakcie normalnego funkcjonowania:
Sprawdzić czy:
 - nie nastąpiło przerwanie dopływu prądu.
 - nie wyskoczył główny wyłącznik.

W przypadku ewentualnych nieprawidłowości działania, przed wezwaniem Serwisu Technicznego, należy przez przynajmniej 5 sekund odłączyć urządzenie od zasilania elektrycznego poprzez wyciągnięcie wtyczki a następnie ponownie je podłączyć. Jeśli nieprawidłowości dalej będą miały miejsce, należy zwrócić się do Serwisu Technicznego.

DANE TECHNICZNE

Wysokość (cm)	Szerokość (cm)	Głębokość (cm)	Średnica przewodu odprowadzającego (cm)
 67-110	100	60	15
 76-110			

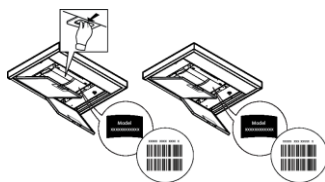


Komponenty niebędące na wyposażeniu razem z produktem



Instrukcje bezpieczeństwa, instrukcję obsługi, karta produktu oraz parametry poboru energii można pobrać:

- Odwiedzając naszą stronę internetową docs.whirlpool.eu
- Używając kodu QR
- Można również **skontaktować się z Centrum pomocy technicznej** (Patrz numer telefonu na karcie gwarancyjnej). Kontaktując się z naszym serwisem technicznym, należy podać kody z tabliczki znamionowej urządzenia.



ОБЩИЕ ПРАВИЛА ТЕХНИКИ БЕЗОПАСНОСТИ

- Перед началом какой либо операции по чистке или обслуживанию, отключить вытяжку от электрической сети, вынимая вилку из розетки или отключая общий выключатель помещения. Для всех операций по установке и обслуживанию использовать рабочие перчатки.
- Прибор может быть использован детьми не младше 8 лет и лицами со сниженными физическими, сенсорными или умственными способностями, или же с недостаточным опытом, если находятся под контролем, или если были обучены использовать прибор безопасным образом и если понимают связанные с этим опасности.
- Дети должны быть под контролем и не должны играть с прибором.
- Операции по чистке и обслуживанию не должны проводиться детьми без надзора
- Помещение должно иметь достаточную вентиляцию, когда кухонная вытяжка используется одновременно с другими приборами, работающими на газе или других топливах.
- Вытяжка должна часто очищаться как внутри, так и снаружи (ХОТЯ БЫ ОДИН РАЗ В МЕСЯЦ), придерживаясь того, что указано в инструкциях по обслуживанию.
- Несоблюдение норм чистки вытяжки и замены и чистки фильтров увеличивает риск возгорания.

Строго запрещено приготовление еды на открытом огне под вытяжкой.

- Для замены лампочки освещения использовать только тип лампочки указанный в разделе обслуживания/замены лампочки этого руководства.

Использование открытого пламени наносит ущерб фильтрам и может привести к загораниям, поэтому должно избегаться в любом случае.

Жаренье должно проводиться под надзором, чтобы избежать возможности возгорания раскаленного подсолнечного масла.

ВНИМАНИЕ: Когда варочная поверхность работает, доступные части вытяжки могут нагреваться.

- Не подключать прибор к электрической сети до тех пор, пока установка полностью не закончена.
- То что касается технических мер и мер безопасности в применении до сброса паров строго придерживаться того что предусматривается по нормам локальных компетентных органов.
- Всасываемый воздух не должен выпускаться в трубу, используемую для выбросов дымов приборами, работающими на газе или других топливах.

▲ ВНИМАНИЕ! Неустановка соответствующих винтов и приспособлений для фиксирования в соответствии с этими инструкциями может привести к рискам электрического происхождения.

- Не использовать или оставлять вытяжку без лампочек правильно установленных с риском получить удар электрическим током.
- Никогда не использовать вытяжку без правильно установленной решётки!

- Вытяжка НИКОГДА не должна использоваться, как опорная поверхность, если только не указано иначе.
- Использовать только винты для фиксирования в комплекте с продуктом для установки или, если нет в комплекте, приобрести винты правильного типа.
- Использовать правильную длину винтов, указанную в руководстве по установке.
- В случае сомнений, консультироваться в авторизованном центре по обслуживанию или с квалифицированным персоналом.

▲ ВНИМАНИЕ! Не используйте устройство с программатором, таймером, отдельным пультом дистанционного управления или любым другим устройством, которое включается автоматически.

Не подпускайте к прибору детей младше 3 лет. Без постоянного надзора со стороны взрослых к прибору нельзя допускать детей младше 8 лет.

▲ ВНИМАНИЕ: прибор не предназначен для включения при помощи внешних устройств или отдельного дистанционного управления.

▲ Этот прибор не предназначен для профессионального применения. Не используйте прибор вне помещений.

▲ Во избежание травм, прибор должен перемещаться и устанавливаться силами не менее двух человек.

▲ Установка, включая подключение водопроводной сети (если такое предусмотрено) и электрические соединения, а также ремонтные операции, должны выполняться квалифицированными специалистами.

По завершении установки, храните упаковочные материалы (пластиковые, полистироловые детали и т.п.) в недоступном для детей месте во избежание инцидентов с удушьем. .

Не пользуйтесь прибором, будучи мокрыми или с босыми ногами.

Никогда не применяйте прибор для чистки паром - риск удара электрическим током.

Упаковочный материал может на 100% использоваться вторично и маркирован соответствующим значком вторпереработки



Вытяжка может иметь дизайн, отличающийся от вытяжки показанной на рисунках данного руководства, тем не менее, руководство по эксплуатации, техническое обслуживание и установка остаются те же.

Изделие хозяйственно-бытового назначения. Производитель снимает с себя всякую ответственность за неполадки, ущерб или пожар, которые возникли при использовании прибора вследствие несоблюдения инструкций, приведенных в данном руководстве. Вытяжка служит для всасывания дыма и пара при приготовлении пищи и предназначена только для бытового использования.

- Очень важно сохранить эту инструкцию, чтобы можно было обратиться к ней в любой момент. Если изделие продается, передается или переносится обеспечить, чтобы инструкция всегда была с ним.
- Внимательно прочитайте инструкцию. В ней находится важная информация по установке, эксплуатации и безопасности.
- Запрещается выполнять изменения в электрической или механической части изделия или в трубах рассеивания.
- Перед началом установки оборудования убедитесь в целостности и сохранности всех компонентов. При наличии любых повреждений обратитесь к поставщику и ни в коем случае не начинайте монтаж оборудования.

• Расстояние нижней грани вытяжки над опорной плоскостью под сосуда на кухонной плите должно быть не менее 50см – для электрических плит, и не менее 65 см для газовых или комбинированных плит.

Если в инструкциях по установке газовой плиты оговорено большее расстояние, то учтите это.

ЭЛЕКТРИЧЕСКОЕ СОЕДИНЕНИЕ

Напряжение сети должно соответствовать напряжению, указанному на табличке технических данных, которая размещена внутри прибора. Если вытяжка снабжена вилкой, подключите вытяжку к штепсельному разъему. Он должен отвечать действующим правилам и быть расположен в легкодоступном месте. Включить в розетку можно после установки. Если же вытяжка не снабжена вилкой (прямое подключения к сети), или штепсельный разъем не расположен в доступном месте, также и после установки, то используйте надлежащий двухполюсный выключатель, обеспечивающий полное размыкание сети при возникновении условий перенапряжения 3-ей категории, в соответствии с инструкциями по установке.

▲ ВНИМАНИЕ! прежде чем подключить к сети питания электрическую систему вытяжки и проверить исправное функционирование ее убедитесь в том, что кабель питания правильно смонтирован.

Если кабель не оснащен вилкой, подсоедините провод в соответствии со следующей таблицей:

Напряжение и частота сети

См. величины, указанные на наклейке с техническими характеристиками внутри колпака.

Цвет жилы



: желтый/зеленый

N : синий

L : коричневый

Замена электрокабеля

Вытяжка имеет специальный кабель электропитания; в случае повреждения кабеля, необходимо заказать его в службе по техническому обслуживанию.

ВЫБРОС ВОЗДУХА

(для исполнения с отводом воздуха)

Подсоедините вытяжку к выводной трубе с диаметром соответствующим отверстию выхода воздуха (соединительный фланец).

Установка труб с меньшим диаметром даст уменьшение мощности всасывания воздуха и резкое увеличение уровня шума.

Производитель снимает с себя всякую ответственность по отношению выше сказанного.

- ! Использовать трубу с минимально необходимой длиной.
- ! Использовать трубу с наименьшим количеством изгибов (максимальный угол изгиба: 90°).
- ! Избегать резкого изменения сечения трубы.
- ! Предприятие снимает с себя какую-либо ответственность если данные правила не выполняются.

С РЕЦИРКУЛЯЦИЕЙ ИЛИ С ВЫВОДОМ ?

! Ваша вытяжка готова к использованию в режиме отвода.

Для того чтобы использовать вытяжку в режиме рециркуляции необходимо установить ДОПОЛНИТЕЛЬНЫЙ КОМПЛЕКТ.

Проверьте на первых страницах данного руководства, входит ли ДОПОЛНИТЕЛЬНЫЙ КОМПЛЕКТ в поставку или его необходимо приобрести отдельно.

Примечание: Если входит в поставку оборудования, в некоторых случаях, дополнительный комплект угольных фильтров может уже быть установлен на вытяжке.

Информация по переводу вытяжки из режима отвода в режим рециркуляции уже входит в данное руководство.

Исполнение с рециркуляцией

В этом режиме испарения выводятся наружу через гибкий трубопровод, подсоединенный к соединительному кольцу.

⚠ ВНИМАНИЕ!

Выводная труба не входит в комплект и должна быть приобретена отдельно.
Диаметр выводной трубы должен соответствовать диаметру соединительного кольца.

⚠ ВНИМАНИЕ!

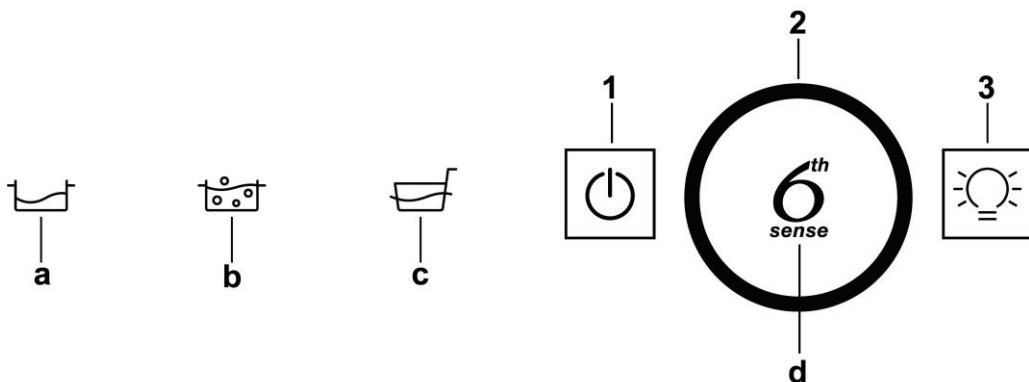
Если вытяжка снабжена угольным фильтром, то уберите его.

Исполнение с отводом воздуха

Должен использоваться угольный фильтр, имеющийся в наличии у вашего дистрибутора. Втягиваемый воздух обезжиривается и дезодорируется перед тем, как вновь возвращается в помещение через верхнюю решетку.

КОМАНДЫ

Вытяжка оснащена панелью управления для контроля скорости вытяжного вентилятора и включения света для освещения рабочей поверхности плиты.



1. Двигатель ВКЛ/ВЫКЛ
2. Выбор скорости(увеличение/уменьшение)
Загорается индикатор:
 - a. работа на скорости минимальной вытяжки
 - b. работа на скорости средней вытяжки
 - c. работа на скорости максимальной вытяжки
 - d. работа на скорости интенсивной вытяжки

Необходимо помнить: интенсивная скорость вытяжки включается на 5 минут , после чего вытяжка автоматически переключается на среднюю скорость .

3. Выключатель подсветки

Необходимо помнить: возможна регулировка яркости задней подсветки, когда эта функция включена.

ТЕХНИЧЕСКОЕ ОБСЛУЖИВАНИЕ

Очистка

Для очистки используйте **ТОЛЬКО** специальную тряпку, смоченную нейтральным жидким моющим средством. **НЕ ИСПОЛЬЗУЙТЕ НИКАКИЕ ИНСТРУМЕНТЫ ДЛЯ ОЧИСТКИ.** Не применяйте средства, содержащие абразивные материалы. **НЕ ПРИМЕНЯЙТЕ СПИРТ!**

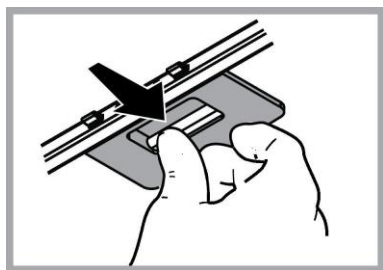
Обслуживание жировых фильтров

Удерживает частицы жира, исходящие от плиты.

Фильтр следует чистить ежемесячно (или когда система индикации насыщения фильтров, если она имеется в Вашей модели, указывает на данную необходимость) неагрессивными моющими средствами, вручную или в посудомоечной машине при низкой температуре и экономичном цикле мытья.

При мытье в посудомоечной машине может иметь место некоторое обесцвечивание фильтра задержки жира, но его фильтрующая характеристика остается абсолютно неизменной.

Для снятия жирового фильтра потяните к себе подпружиненную ручку отцепления фильтра.



Обслуживание угольного фильтра

Удаляет неприятные запахи кухни.

Насыщение угольного фильтра происходит по истечении более или менее длительного периода эксплуатации, предопределяемого типом кухни и периодичностью очистки фильтров задержки жира. В любом случае, заменяйте картридж по крайней мере через каждые 4 месяца (или когда система индикации насыщения фильтров, если она имеется в Вашей модели, указывает на данную необходимость).

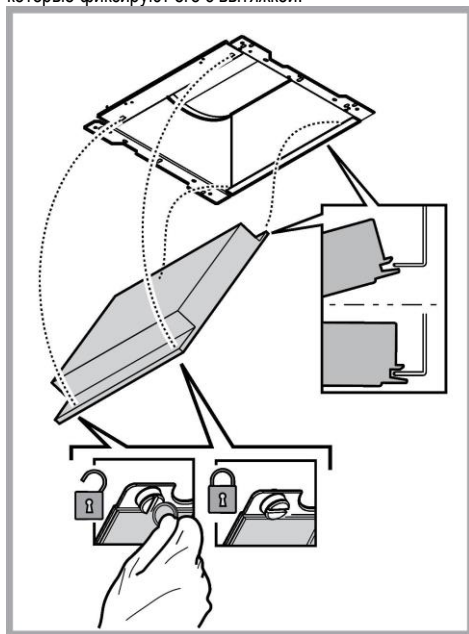
Угольный фильтр НЕ подлежит мойке или регенерации.

Установка

Навесить угольный фильтр сначала задней стороной на металлический язычок вытяжки, потом переднюю часть закрепить двумя рукоятками.

Демонтаж

Снять угольный фильтр, поворачивая на 90° рукоятки, которые фиксируют его с вытяжкой.



Замена ламп

Вытяжка оборудована освещением на светодиодах LED. Светодиоды обеспечивают оптимальное освещение, их срок службы в 10 раз превышает срок работы традиционных лампочек, и позволяют экономить 90% электроэнергии.


Пользователь не может производить замену систему подсветки. В случае неполадок связывайтесь со службой технической поддержки.

УТИЛИЗАЦИЯ

Данное изделие промаркировано в соответствии с Европейской директивой 2012/19/EC - UK SI 2013 No.3113 по утилизации электрического и электронного оборудования (WEEE).

Обеспечив правильную утилизацию данного изделия, Вы сможете предотвратить потенциальные негативные последствия для окружающей среды и здоровья человека.



Символ  на самом изделии или сопроводительной документации указывает, что при утилизации данного изделия с ним нельзя обращаться как с обычными бытовыми отходами. Вместо этого, его следует сдавать в соответствующий пункт приема электрического и электронного оборудования для последующей утилизации.

Сдача на слом должна производиться в соответствии с местными правилами по утилизации отходов.

За более подробной информацией о правилах обращения с такими изделиями, их утилизации и переработки обращайтесь в местные органы власти, в службу по утилизации отходов или в магазин, в котором Вы приобрели данное изделие.

Устройство разработано, испытано и изготовлено в соответствии с:

- Безопасность: EN/IEC 60335-1; EN/IEC 60335-2-31, EN/IEC 62233.
- Эксплуатационные характеристики: EN/IEC 61591; ISO 5167-1; ISO 5167-3; ISO 5168; EN/IEC 60704-1; EN/IEC 60704-2-13; EN/IEC 60704-3; ISO 3741; EN 50564; IEC 62301.
- EMC: EN 55014-1; CISPR 14-1; EN 55014-2; CISPR 14-2; EN/IEC 61000-3-2; EN/IEC 61000-3-3. Предложения для правильного использования в целях снижения воздействия на окружающую среду: Включите вытяжной колпак на минимальной скорости, когда начинаете готовить, и оставьте его работать в течение нескольких минут после того, как закончите готовить. Увеличивайте скорость только в случае большого количества дыма и пара, и прибегайте к использованию повышенных скоростей только в экстремальных ситуациях. Заменяйте угольный фильтр(ы), когда это необходимо, для поддержания хорошей эффективности уменьшения запахов. Очищайте жировой/ые фильтр(ы), когда это необходимо, для поддержания хорошей эффективности жирового фильтра. Используйте максимальный диаметр системы воздуховодов, указанный в данном руководстве, для оптимизации эффективности и минимизации уровня шума.

АНОМАЛИИ В РАБОТЕ

Если что-то не работает должным образом, перед тем как обратиться в Службу по техническому обслуживанию, выполните следующие простые проверки:

- Если вытяжка не работает:

Проверить:

- что бы не была прервана подача тока.
- что бы была выбрана скорость.

- Если вытяжка плохо работает:

Проверить:

- что выбранная скорость двигателя достаточна для выработанного количества дыма и пара.
- что кухня достаточно проветрена для того, чтобы вытяжка могла выполнить забор воздуха.
- что угольный фильтр не отработан (вытяжка в режиме с рециркуляцией воздуха).



- Если вытяжка выключилась в ходе нормальной работы:

Проверить:

- что не прервана подача тока.
- что не сработал однополюсный выключающий аппарат.

В случае возможных аномалий в работе, перед тем как обратиться в службу технического обслуживания отключить от электропитания аппарат минимум на 5 секунд, вынимая вилку и потом подсоединить его снова. Если аномалия в работе продолжает существовать обратиться в службу техобслуживания.

ТЕХНИЧЕСКИЕ ДАННЫЕ

Высота (см)	Ширина (см)	Глубина (см)	Ø вытяжной трубы (см)
 67-110	100	60	15
 76-110			

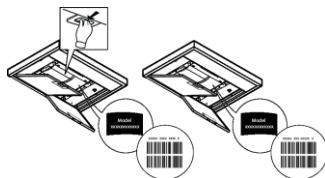


Комплекующие, не входящие в комплект деталей к изделию



Чтобы загрузить инструкции по безопасности, руководство по эксплуатации, технический лист изделия и показатели энергоэффективности:

- Посетите наш веб-сайт docs.whirlpool.eu
- Используйте QR-код
- Или обратитесь в наш Сервисный центр (Номер телефона указан в гарантийном талоне). При обращении в наш Сервисный центр сообщите коды, указанные на паспортной табличке изделия.



VŠEOBECNÁ BEZPEČNOSŤ

- Pred každým čistením alebo údržbou, odpojte odsávač pár od elektrickej siete vytiahnutím zástrčky alebo vypnutím hlavného vypínača bytu.
- Pre všetky inštalčné a údržbové operácie používajte pracovné rukavice.
- Zariadenie môže byť používané deťmi vo veku nie menej ako 8 rokov a osobami so zníženými fyzickými, zmyslovými alebo duševnými schopnosťami, alebo nedostatkom skúseností a potrebných znalostí, pokiaľ sú pod primeraným dozorom, alebo dostali pokyny o bezpečnom užívaní zariadenia a keď si uvedomujú s ňou spojené nebezpečenstvo.

- Deti musia byť kontrolované, aby sa nehrali so zariadením.
- Čistenie a údržbu nesmú vykonávať deti bez dozoru.
- Miestnosť musí mať dostatočné vetranie, keď kuchynský odsávač pár sa používa súčasne s inými zariadeniami spaľujúce plyn alebo iných palív.
- Odsávač pár sa musí pravidelne čistiť ako vnútorne tak zvonka (ASPOŇ RAZ ZA MESIAC), v každom prípade rešpektujte ako je výslovne uvedené v návode na údržbu.
- Nedodržiavanie noriem čistenia odsávača pár a výmeny a čistenia filtrov môže spôsobiť požiare. Je prísne zakázané pod odsávačom pár robiť jedlá na plameni.
- Pri výmene lampy používajte len typ lampy uvedený v sekcii údržba/výmena lampy v tejto príručke.

Používanie otvoreného ohňa poškodzuje filtre a môže spôsobiť požiar a preto sa mu treba v každom prípade vyhnúť.

Vyprážanie musí byť vykonané pod kontrolou, aby prehriaty olej sa nezapálil.

POZOR: Keď je varná doska v prevádzke, prístupné časti odsávača pary sa môžu zahriať.

- Nepripájajte zariadenie do elektrickej siete, kým inštalácia nie úplne dokončená.
- Pokiaľ ide o technické a bezpečnostné opatrenia, ktoré sa majú prijať pre vypúšťanie výparov, prísne sa dodržujte nariadeniam ustanovenými príslušnými miestnymi úradmi .
- Odsávaný vzduch nesmie byť dopravený do potrubia používaného pre vypúšťanie výparov produkovaných zariadeniami spaľujúcimi plyn alebo iné palivá.

▲ POZOR! Chýbajúca inštalácia upevňovacích skrutiek alebo prostriedkov v súlade s týmito pokynmi môže spôsobiť úraz elektrickým prúdom.

• Nepoužívajte alebo nechajte odsávač pár bez správne namontovaných lúčok kvôli možnému riziku úrazu elektrickým prúdom.

• Nikdy nepoužívajte odsávač pár bez správne namontovanej mriežky!

• Odsávač pár sa nesmie NIKDY používať ako nosný povrch, pokiaľ nie je výslovne uvedené

• Používajte len upevňovacie skrutky dodávané s výrobkom pre inštaláciu alebo, ak nie sú súčasťou dodávky, kúpte správny typ skrutiek.

• Používajte správnu dĺžku skrutiek, ktorá je označená v Návode na inštaláciu.

• Ak si nie ste istí, poraďte sa s autorizovaným servisným strediskom alebo podobným kvalifikovaným personálom.

▲ POZOR! Nepoužívajte s programovacím zariadením, časovačom, samostatným diaľkovým ovládaním alebo s akýmkoľvek iným zariadením, ktoré sa aktivuje samostatne.

Uchovávajte zariadenie mimo dosahu detí vo veku do 3 rokov. Uchovávajte zariadenie mimo dosahu detí vo veku do 8 rokov, pokiaľ nie sú pod nepretržitým dozorom dospelé osoby.

▲ UPOZORNENIE: zariadenie nie je určené na to, aby sa spúšťalo pomocou externého zariadenia alebo samostatného diaľkového ovládacieho systému.

▲ Toto zariadenie nie je určené na profesionálne použitie. Nepoužívajte zariadenie v exteriéri.

▲ Aby sa predišlo riziku zranenia osôb, zariadenie musia premiestňovať a inštalovať minimálne dve osoby.

▲ Inštaláciu, vrátane prípadných vodovodných prípojk a elektrického vedenia, a opravy smú vykonávať iba kvalifikovaní pracovníci.

Po dokončení inštalácie uchovávajte obalové materiály (plastové časti, polystyrén atď.) mimo dosahu detí, aby ste predišli riziku udusenía.

Nepoužívajte zariadenie, keď ste mokří alebo bosí.

Nikdy nepoužívajte prístroje na tlakové čistenie – riziko úrazu elektrickým prúdom.



Obalové materiály sú 100 % recyklovateľné a sú označené značkou pre recykláciu

Odsávač pary môže mať odlišný vzhľad ako je zobrazené na nákrese v tejto knižke, ale napriek tomu návody pre použitie, údržba a montáž ostávajú rovnaké.

Prísne dodržiavajte pokyny uvedené v tomto návode. Výrobca odmieta prevziať akúkoľvek zodpovednosť za prípadné poškodenie, poruchy, škody, alebo vzniknuté zranenia osôb, ktoré boli spôsobené nedodržaním týchto predpisov. Odsávač pary slúži výhradne na odsávanie pary, dymu, pachov vzniknutých pri varení a je určený výhradne pre domáce použitie.

- Je dôležité uchovať si túto príručku, aby ste ju mohli Použiť v akomkoľvek okamihu. V prípade predaje, postúpení či sťahovaní zaistite, aby zostala spoločne s odsávačom pary.
- Pozorne si prečítajte návod: obsahuje dôležité informácie o inštalácii, použití a bezpečnosti.
- Nemeňte elektrickú či mechanickú úpravu výrobku alebo potrubie na odvod pary.
- Skôr než budete pokračovať s inštaláciou zariadenia, overte, všetky súčiastky či nie sú poškodené. V opačnom prípade obráťte sa na predajcu a nepokračujte v inštalácii.

• Minimálna vzdialenosť medzi podporou nádoby na varnej ploche a najnižšou časťou digestora nesmie byť menšia než 50cm v prípade elektrických sporákov, 65cm v prípade plynových či kombinovaných/zmiešaných sporákov.

Pokiaľ návod na inštaláciu vašeho zariadenia na plyn odporúča väčšiu vzdialenosť, je treba sa týmto pokynom riadiť.

ELEKTRICKÉ PRIPOJENIE

Sieťové napätie musí zodpovedať napätiu uvedenému na štítku s charakteristikami umiestnenom vo vnútri odsávača. Pokiaľ je odsávač vybavený prípojkou/vidlicou, stačí ju zapojiť do zásuvky zodpovedajúcej aktuálnym normám, ktorá sa nachádza v ľahko dosiahnuteľnom priestore aj po prevedenej montáži. Pokiaľ odsávač nie je vybavený prípojkami/vidlicou (priame pripojenie k sieti) alebo sa zásuvka nenachádza v ľahko dosiahnuteľnom priestore aj po prevedení montáže, je nutné použiť dvojpólový vypínač zodpovedajúci normám, ktorý zaručí úplné odpojenie od siete v podmienkach kategórie prepätí III, v súlade s pravidlami inštalácie.


▲ UPOZORNENIE! Skôr než opäť napojíte obvod digestora na sieťové napájanie a overíte správne fungovanie, skontrolujte si vždy, že sieťový kábel bol správne namontovaný.

Pokiaľ hnejakábelopatrenýzástrčkou, pripojte vodičepodľainformáciívnasledujúcejtabuľke:

Sieťové napätie a frekvencia

Uvedenú hodnotu si overte na štítku s vlastnosťami zariadenia, umiestnenom vo vnútri zariadenia.

Pripojenie vodičov

 : žlt/zelený
N : modrý
L : hnedý

Výmena napájacieho kábla

Digestor je vybavený špeciálnym napájacím káblom; v prípade poškodenia káblu si ho vyžiadajte u servisnej služby.

VYPÚŠŤANIE VZDUCHU

(iba pre odsávacie verzie)

Napojte digestor na odťahové potrubie s rovnakým priemerom ako vývod vzduchu (spojovacia príruha).

Použitie odvodových trubíc a otvorov do steny s menším priemerom má za následok zníženie odsávadsej výkonnosti e drastické zvýšenie hlučnosti.

V tejto zásluže sa vyhýba každej zodpovednosti.

! Používajte čo najkratšie odťahové potrubie.

! Používajte odťahové potrubie s čo najmenším počtom záhybov (maximálny uhol záhybu: 90°).

! Vyhňte sa zásadným zmenám sekcie vedenia odťahu.

! Spoločnosť sa vyhýba akejkolvek zodpovednosti, pokiaľ tieto normy sa nedodržiajú.

FILTRČNÁ ALEBO ODSÁVACIA ?

! Váš odsávač pary je pripravený pre použitie v odsávacej verzii.

Pre použitie odsávača pary vo filtračnej verzii, nainštaluje sa príslušná SADA PRÍSLUŠENSTVA.

Overiť si na prvých stranách tejto príručky, či SADA PRÍSLUŠENSTVA je dodaná vo výbave alebo je ju potrebné zakúpiť.

Poznámka: Ak je dodaná vo výbave, doplnkový filtračný systém na základe aktívneho uhlia, mohol už by byť nainštalovaný na odsávači pary.

Informácie pre transformáciu odsávača pary z odsávacej verzii na filtračnú verzi sú už zahrnuté v tejto príručke.

Odsávacia verzia

Výpary sú vypúšťané vo prostredníctvom výfukového potrubia upevneného na spojovacej príruhe.

▲ UPOZORNENIE!

Odťahové potrubie nie je súčasťou výbavy a je nutné ho zakúpiť.

Priemer výfukového potrubia sa musí zhodovať s priemerom spojovacieho prstenca.

▲ UPOZORNENIE!

Ak odsávač pary je vybavený uhlíkovými filterami, tak tie musia byť vybraté.

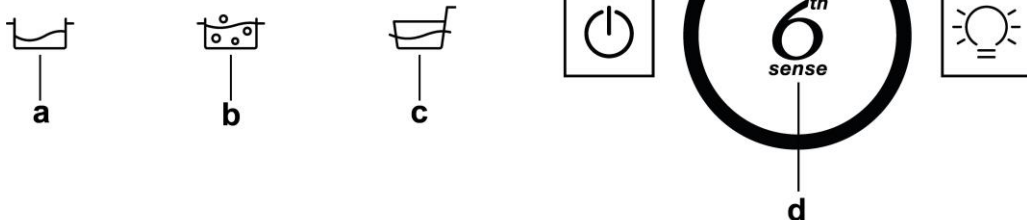
Filtračné verzia

Odsávaný vzduch bude pred návratom do miestnosti zbavený tukov a pachov. K použitiu digestora v tejto verzii je nutné inštalovať dodatočný systém filtrovania na základe aktívnych uhlíkov.

Nasatý vzduch sa pred znovu privedením do miestnosti najprv odmastí a sa zbaví zápachu. Aby sa mohol odsávač pary používať v takejto verzii, je potrebné nainštalovať dopĺňujúci filtračný systém na základe aktívneho uhlia.

RIADENIA

Digestor je vybavený ovládacím panelom s ovládaním rýchlostí odsávania a rozsvietením svetla pre osvetlenie vanej dosky.



1. Vypnutie/zapnutie motora

2. Voľba otáčok (zvýšenie/zníženie)

Kontrolky:

a. pri minimálnych otáčkach odsávania

b. pri stredných otáčkach odsávania

c. pri maximálnych otáčkach odsávania

d. pri intenzívnych otáčkach odsávania

NB = intenzívne otáčky odsávania sú časované na 5 minút a po tomto čase sa motor vráti späť k stredným otáčkam.

3. Svetlo ZAPNÚT/VYPNÚŤ

NB = jasnosť osvetlenia je vyššia ak sa používa táto funkcia.

ÚDRŽBA

Čistenie

Pri čistení je treba použiť **VÝLUČNE** látku navlhčenú neutrálnymi tekutými čistiacimi prostriedkami.

NEPOUŽÍVAJTE ŽIADNE NÁSTROJE ALEBO POMOCKY NA ČISTENIE. NEPOUŽÍVAJTE ALKOHOL!

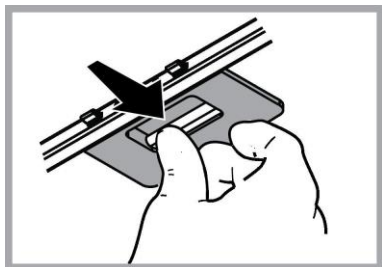
Údržba protitukových filtrov

Údržuje častice tukov pochádzajúcich z varenia.

Musí byť čistený jedenkrát za mesiac (alebo keď upozorňovací systém nasýteľnosti filtrov – ak je s ním príslušný model vybavený – upozorňuje túto nevyhnutnosť), neдрáždivými čistiacimi prostriedkami ručne alebo v umývačke s nízkou teplotou vody a krátkym cyklusovým programom.

Umývaním v umývačke, protitukový filter sa môže odfarbiť, ale jeho filtračná charakteristika sa tým vôbec nezmení.

Na odpojenie protitukových filtrov potiahnite za pružinový háčik.



Údržba uhlíkového filtra

Údržuje nepríjemné zápachy pochádzajúce z varenia.

Nasýteľnosť uhoľného filtra sa odhaľuje iba po viac-menej predĺženom použití, na základe typu kuchyne a pravidelnosti čistenia filtra tukov. V každom prípade je nevyhnutné vymeniť zásobník maximálne každé štyri mesiace (alebo keď upevňovací systém nasýteľnosti filtrov – ak je s ním príslušný model vybavený – upozorňuje túto nevyhnutnosť).

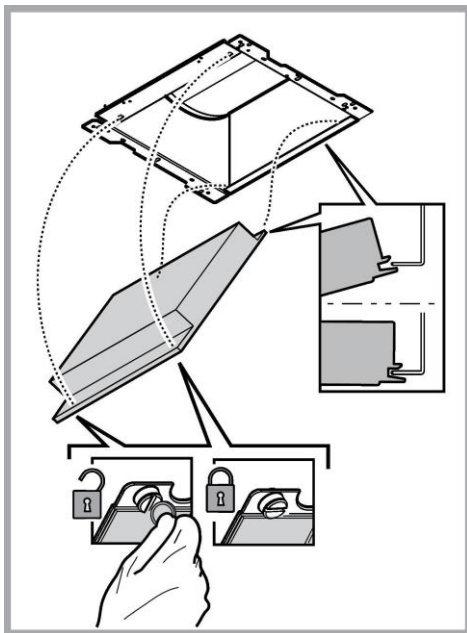
NEMOŽE byť umývaný alebo regenerovaný.

Montáž:

Zavesiť uhoľno-aktívny filter najprv zozadu na kovový háčik odsávača pary, potom zpredu s dvoma rúčkami.

Odmontovanie:

Vybrať uhoľno-aktívny filter otočením ručiek, ktoré ho upevňujú o odsávač pary o 90°.



Výmena žiaroviek

Odsávač pary je vybavený systémom osvetlenia založenom na technológii LED.

Kontrolky LED zaručujú optimálne osvetlenie, trvanie až 10 krát dlhšie ako tradičné žiarovky a umožňujú ušetriť 90% elektrickej energie.


Systém osvetlenia nemôže vymieňať používateľ, v prípade funkčných porúch sa skontaktujte s asistenčnou službou.

LIKVIDÁCIA

Tento spotrebič je označený v súlade s európskou smernicou 2012/19/EC - UK SI 2013 No.3113 o likvidácii elektrického a elektronického zariadenia (WEEE).

Uistením sa, že tento výrobok bol po svojej životnosti odstránený správnym spôsobom, užívateľ prispieva k predchádzaniu možným negatívnym následkom pre životné prostredie a zdravie.



Symbol  výrobku alebo na jeho sprievodnej dokumentácii, upozorňuje, že s týmto výrobkom sa nesmie zaobchádzať ako s domácim odpadom, ale musí byť odovzdaný do príslušného miesta zberu pre recykláciu elektrických a elektronických prístrojov. Zbaviť sa ho riadením sa podľa miestnych zákonov o odstránení odpadkov. Kvôli dokonalejším informáciám o zaobchádzaní, znovuzískaní a recyklácii tohto výrobku, kontaktujte príslušné miestne úrady, služby pre zber domáceho odpadu alebo predajňu, v ktorej výrobok bol zakúpený.

Prístroj bol navrhnutý, testovaný a vyrobený v súlade s:

- Bezpečnosť: EN/IEC 60335-1; EN/IEC 60335-2-31, EN/IEC 62233.
- Výkonnosť: EN/IEC 61591; ISO 5167-1; ISO 5167-3; ISO 5168; EN/IEC 60704-1; EN/IEC 60704-2-13; EN/IEC 60704-3; ISO 3741; EN 50564; IEC 62301.

- EMC: EN 55014-1; CISPR 14-1; EN 55014-2; CISPR 14-2; EN/IEC 61000-3-2; EN/IEC 61000-3-3.

(CISPR - Osobitný medzinárodný výbor pre rádiové rušenie, pozn. prekl.)

Odporúčania pre správne použitie s cieľom znížiť dopad na životné prostredie: Zapnite digestor na minimálnu rýchlosť, keď začnete s varením a nechajte ho bežať niekoľko minút po ukončení varenia. Zvýšte rýchlosť len v prípade veľkého množstva dymu a pary a použite podpornú rýchlosť (rýchlosti) len v extrémnych situáciách. Vymeňte uhlíkový filter (filtre), ak je to potrebné na udržiavanie dobrej účinnosti zníženia zápachu. Vyčistite tukový filter (filtre), ak je to potrebné na udržiavanie jeho účinnosti. Použite maximálny priemer potrubného systému, ako je uvedené v tomto návode, na optimalizáciu účinnosti a minimalizáciu hluku.



PREVÁDKOVÉ PORUCHY

Ak sa zdá, že niečo nefunguje, skôr než sa zavolá servis, vykonať nasledujúce jednoduché kontroly.

- Ak odsávač pary nefunguje:
Skontrolovať, že:
 - nedošlo k výpadku elektrického prúdu.
 - bola zvolená jedna rýchlosť.
- ak odsávač pary má slabý výkon:
Skontrolovať, že:
 - zvolená rýchlosť motora je dostačujúca pre množstvo uvoľnených dymov a pár.
 - Kuchyňa je dostatočne vzdušná pre možnosť príjem vzduchu.
 - uhlíkový filter nie je spotrebovaný (odsávač pary vo filtračnej verzii).
- ak odsávač pary sa vypol počas normálnej prevádzky:
Skontrolovať, že:
 - nedošlo k výpadku elektrického prúdu.
 - vyplo sa zariadenie poisťky.

V prípade eventuálnych porúch v prevádzke, skôr ako sa obrátite na zákaznícky servis, odpojiť zariadenie na 5 sekúnd od elektrického napojenia, vytiahnutím zástrčky a znovu ho pripojiť. V prípade, že porucha prevádzky pretrváva, obrátiť sa na zákaznícky servis.

TECHNICKÉ ÚDAJE

Výška (cm)	Šírka (cm)	Hĺbka (cm)	Ø odsávacej rúry (cm)
 67-110	100	60	15
 76-110			



Komponenty, ktoré nie sú dodané s výrobkom



Bezpečnostné pokyny, Návod na používanie, Technické a energetické údaje spotrebiča si môžete stiahnuť:

- Na našej webovej stránke docs.whirlpool.eu
- Pomocou QR kódu
- Prípadne **sa obráťte na náš popredajný servis** (Telefónne číslo nájdete v záručnej knižke). Pri kontaktovaní nášho popredajného servisu uveďte, prosím, kódy z výrobného štítku vášho spotrebiča.

