



Service Manual

Gas hob

AKM 160/IX/03

Model Version		Page
	AKM 160/IX/03	
	8571 160 53030	
	Technical data	2
	Spare part list	3
	Exploded view	4
	Wiring diagram	5

Technical data

Electrical connection

Voltage	240	V
Frequency	50	Hz

Dimensions

Height	85	mm
Width	590	mm
Depth	500	mm

Built-in dimensions

Height	45	mm
Width	590	mm
Depth	500	mm

Cut-out dimensions

Height	40	mm
Width	570	mm
Depth	480	mm

Weight

Gross	8	kg
-------	---	----

Gas part

Type of gas used	Type of burner	Injector marking	Rated heat capacity W	Rated consumption	Gas pressure mbar
Natural Gas (Methane) G20	ultra rapid (Wok)	165	3500	357 l/h	10
	medium (SR)	118	1670	188 l/h	
	small (A)	90	920	102 l/h	
LPG (Propane) G31	ultra rapid (Wok)	102	3500	278 g/h	27.5
	medium (SR)	70	1670	119 g/h	
	small (A)	54	920	65 g/h	

SR	SR
Wok	A

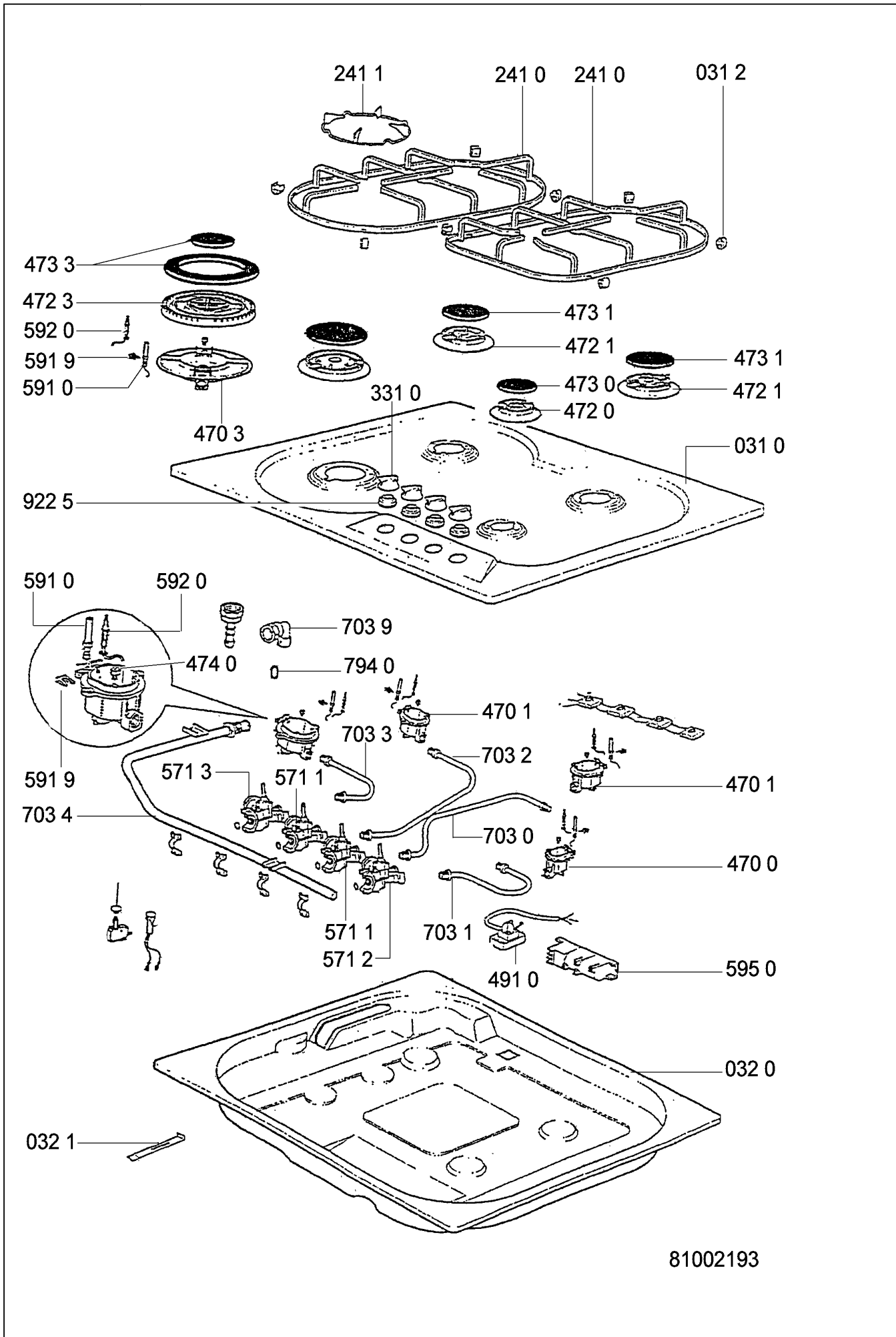
Wok Ultra rapid
 SR Semirapid
 A Auxiliar

Spare part list

Model AKM 160/IX/03
Service No. 857116053030
Version 857116053030

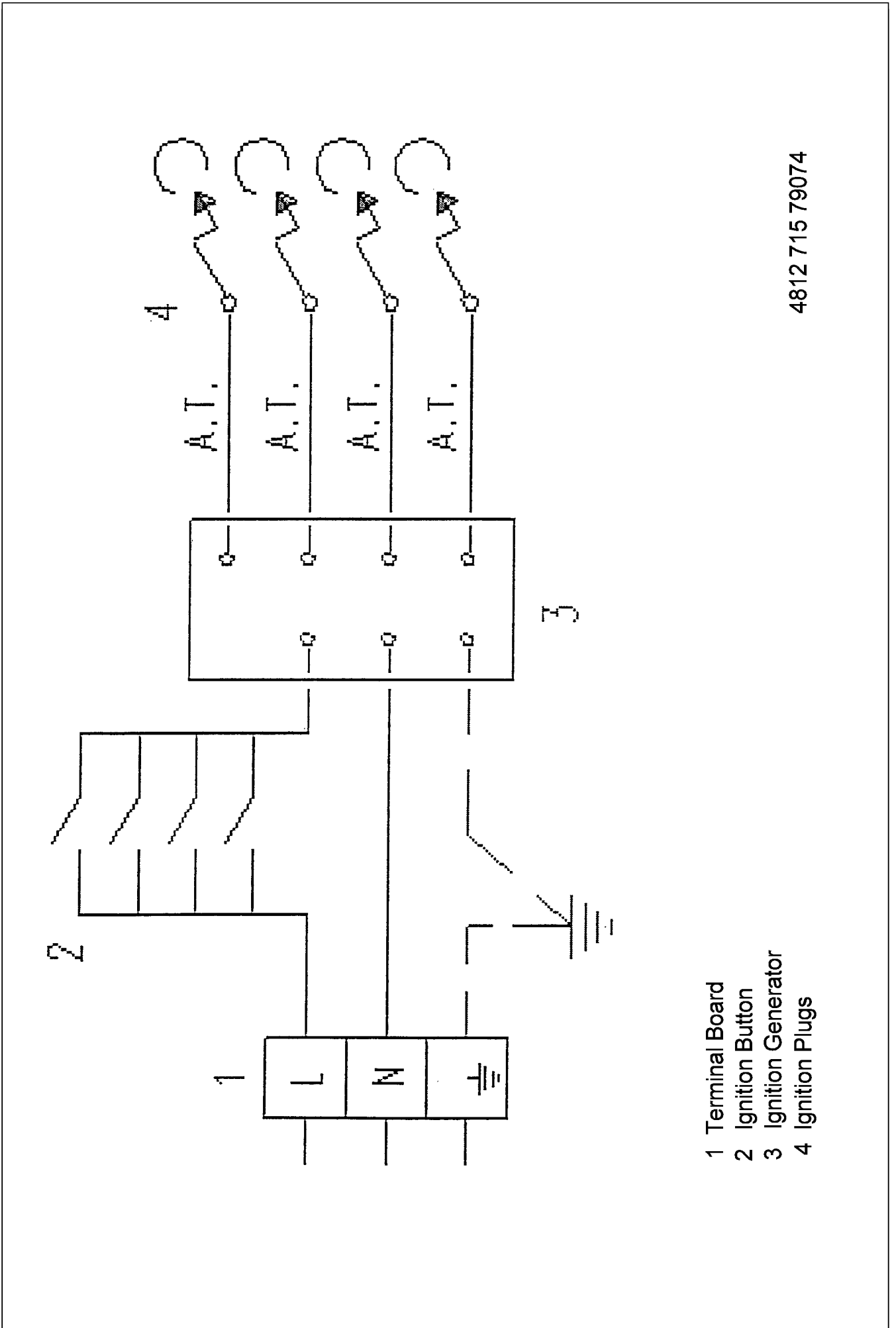
Pos. No.	12NC Code	Description
031 0	4812 442 69097	Hob
031 2	4819 905 00768	Damper for grid
032 0	4812 442 69096	Hob bottom
032 1	4812 404 38534	Fastener
241 0	4812 458 58134	Grid right
241 0	4812 458 58135	Grid left/right
241 1	4812 458 58206	Grid for hob adaptor
331 0	4812 412 58851	Knob
470 0	4812 360 78078	Burner, small
470 1	4812 360 78079	Burner, medium
470 3	4812 360 78077	Burner, ultra rapid
472 0	4812 360 68292	Spreader, burner, small
472 1	4812 360 68293	Spreader, burner, medium
472 3	4812 360 68294	Spreader, burner, ultra rapid
473 0	4812 360 78081	Cover f.sm.fl.spr.
473 1	4812 360 68288	Cover f.med.fl.spr.
473 3	4812 360 68094	Cover f.bur.ultr.rap.
473 3	4812 360 68095	Spreader,burner cover out
474 0	4812 310 38567	Set of nozzles G20
474 0	4812 310 38571	Set of nozzles G31
491 0	4812 140 38001	Terminal block
571 1	4812 360 58229	Tap medium 0.31 + mic.f.ign.
571 2	4812 360 58228	Valve small 0.27 + mic.f.ign.
571 3	4812 360 58231	Tap large 0.70 + mic.f.ign.
591 0	4812 252 68007	Spark plug f.ultra rap.burner
591 0	4812 252 68022	Spark plug, sm/med/fish
591 0	4812 252 68048	Spark plug 700 mm
591 9	4812 404 48662	Fastener f.spark plug
592 0	4812 252 68023	Thermo couple, f. ult. rap. burner
592 0	4812 252 68024	Thermo couple, MM300
592 0	4812 252 68036	Thermo couple 600 mm
595 0	4819 905 00893	Generator ignition
703 0	4812 530 29051	Tube f.r.i.b.burner
703 1	4812 530 48275	Tube right front
703 2	4812 530 29052	Tube f.le.ba.burner
703 3	4812 530 48276	Tube front, left
703 4	4812 530 48205	Tube
703 9	4819 526 48423	Coupling piece
794 0	4819 532 68754	Gasket
922 5	4812 532 38007	Gasket

Exploded view



81002193

Wiring diagram



- 1 Terminal Board
- 2 Ignition Button
- 3 Ignition Generator
- 4 Ignition Plugs

4812 715 79074