

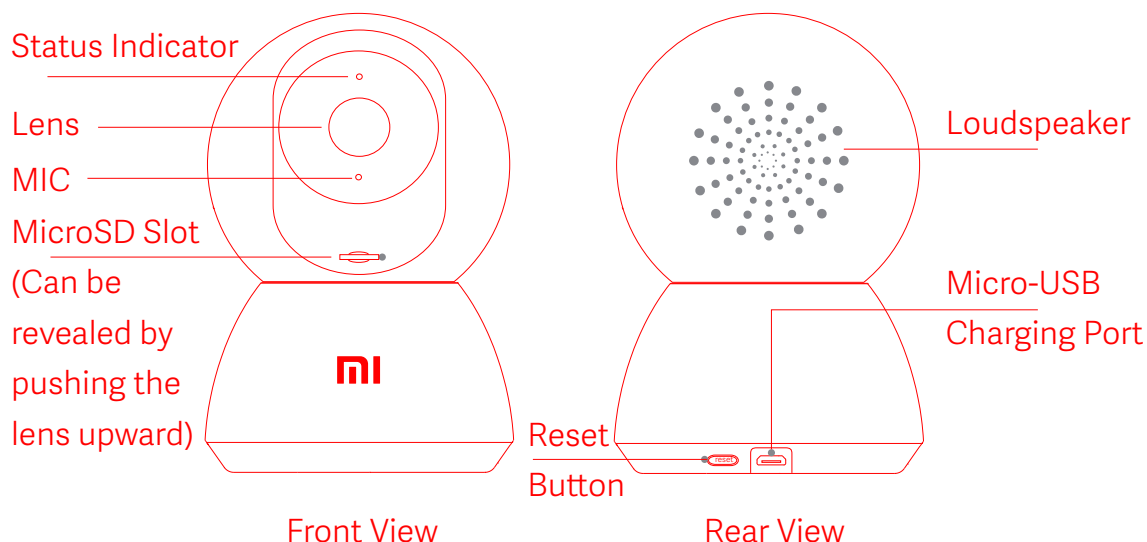


# Mi Home Security Camera 360° 1080P

# Read this manual carefully before use, and retain it for future reference

## Product Overview

---



Package Contents: Mi Home Security Camera 360° 1080P, power adapter, user manual, wall mounting accessories pack, warranty card

## Product Installation

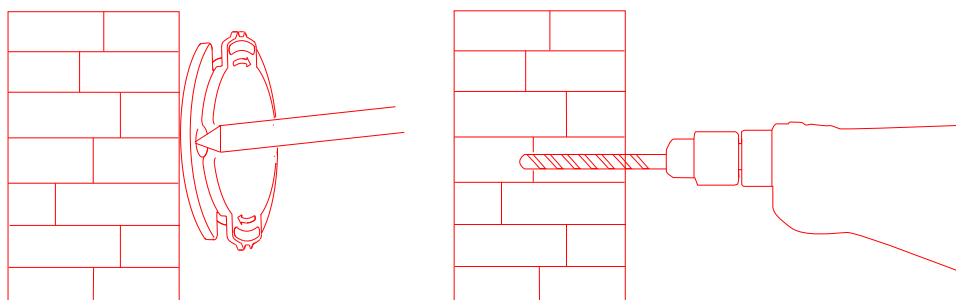
---

The Mi Home Security Camera 360° 1080P can be placed on a number of horizontal surfaces, such as a writing desk, dining table, and coffee table. It can also be mounted on the wall.

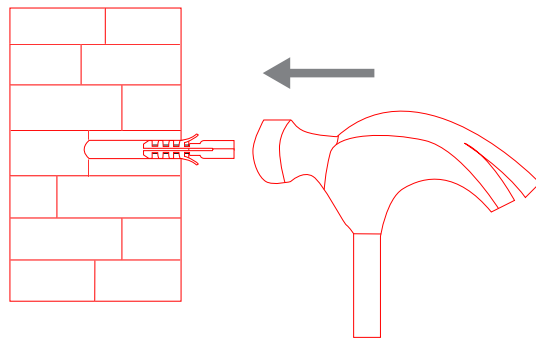
### Mounting the Security Camera on a Wall

---

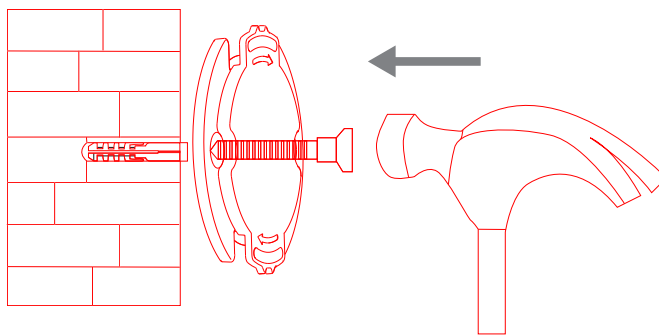
1. Drill two holes on the wall by using the base of the security camera as a template. It is recommended that you mark the locations of the holes with a pencil before drilling. The diameter of each hole is approximately 0.24 inches, and the depth is approximately 0.98 inches.



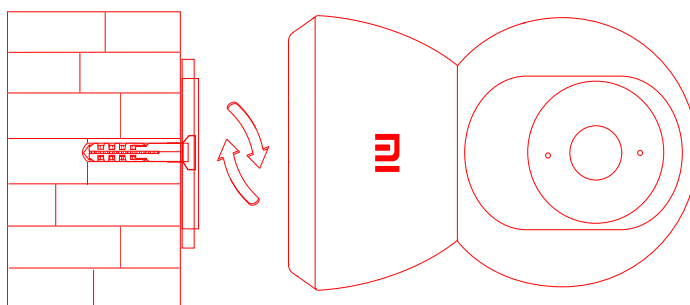
2. Insert the two plastic anchors into the holes on the wall.



3. Make sure to position the base unit so that the arrow is pointing up. Secure the base unit in place by tightening the screws into the plastic anchors.



4. Match the grooves on the bottom of the camera unit with the raised area on the base unit. Press down until the two surfaces are flush, then turn the camera unit in either direction to lock it in position.



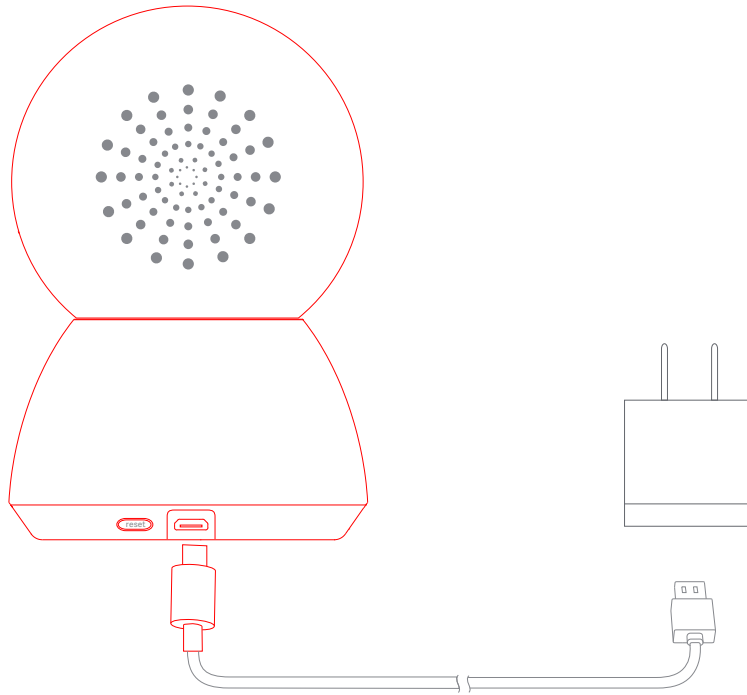
**⚠ When mounting the security camera on a wall:**  
please note that the wall must be able to support at least triple the product's total weight.

## Product Instructions

---

### • Turning the Device On

The Mi Home Security Camera will automatically activate once the power cable is inserted into the Micro-USB charging port.



If the indicator light is flashing orange, that means the device is activated successfully. If you do not see a flashing orange light, please press and hold the Reset button to restart the device to enter pairing mode. Once the Mi Home Security Camera is turned on, please do not attempt to rotate its head by force. If the camera position is incorrect, adjustments can be made through the app.

### • Indicator Light

Steady blue on: connected/device status is normal

Flashing blue: network error

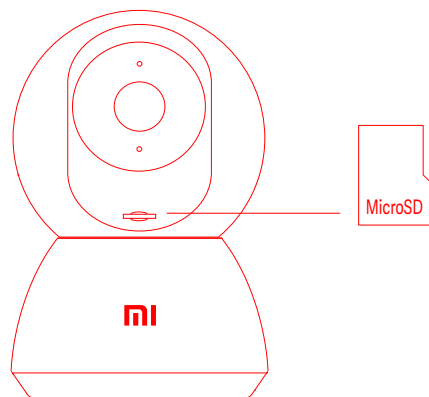
Flashing orange rapidly: waiting for connection

Flashing orange slowly: system upgrade in progress

- **Installing a MicroSD Card**

Make sure that the power to the security camera is already disconnected. Adjust the camera lens upward until the MicroSD slot is revealed, then insert the MicroSD card into the slot (the side with contact points must be facing down).

Note: Please turn off the security camera's power supply before inserting or removing the MicroSD card. Please use a genuine MicroSD card manufactured by a qualified supplier and make sure that the storage capacity is 64 GB or less, with a reading/writing speed of no less than U1/Class 10.



- **Restore Factory Settings**

Press and hold the Reset button to restore your device to factory settings.

Data stored on the MicroSD card is not erased.

## Quick Setup

---

Control your device and interact it with other smart home devices in Mi Home app.

- **Install Mi Home app**

Scan the QR code or go to app store to download and install Mi Home app.



- **Add a device**

Open Mi Home app, tap "+" on the upper right, and then follow prompts to add your device.

Note: The version of Mi Home app might have been updated, please follow the instructions based on the current app version.

## Precautions

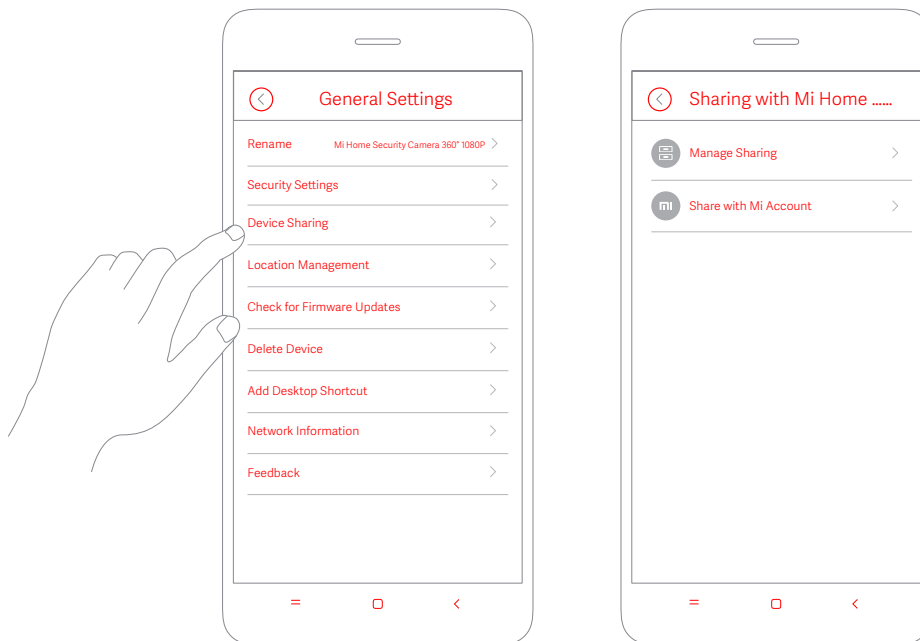
---

- The suitable operating temperature range for this product is between -14 °F and 122 °F. Please do not use the product in an environment with temperatures above or below the specified range.
- The security camera is a precision electronic product. In order to ensure its normal operation, please do not install the device in an environment with high humidity levels or allow water to enter the product.
- To improve the product's performance, please do not place the camera lens facing or next to a reflective surface, such as glass windows/doors and white walls, which will cause the image to appear overly bright in areas close to the camera and darker in areas further away, or cause the camera to produce white images.
- Please install the product in areas with Wi-Fi reception, and try to place the device where the Wi-Fi signal is strong. In addition, please keep the security camera away from metal structures, microwave ovens, or other locations where signal strength may be impacted.

## Shared Remote Viewing

---

Through the Mi Home Security Camera 360° 1080P control interface in the Mi Home app, you can set your security camera as a shared device under the General Settings menu, and invite your friends to view the camera remotely. Your friends will be required to download the Mi Home app and log in with his/her Xiaomi account.



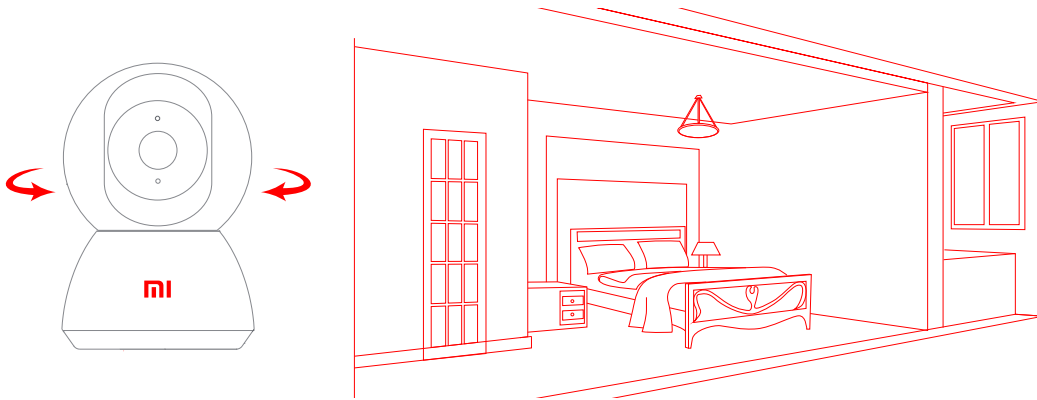
### Note:

The diagram is for reference only. Actual displays will vary based on different versions of the Mi Home platform and your smartphone model.

## Automatic Monitoring

---

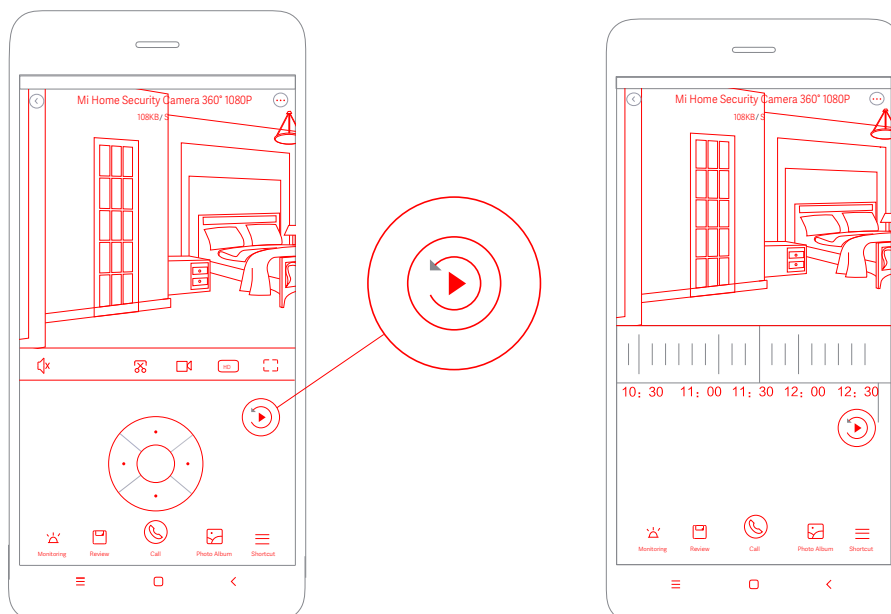
- Automatic monitoring can be configured through the Mi Home Security Camera 360° 1080P control interface in the Mi Home app.
- Available options include 24-hour, daytime, and nighttime monitoring. You can also create your own schedule and set the desired camera angle.
- This product is able to detect movements within its field of view. Once movements are detected, a video is recorded and you will receive a notification.



## Playback

---

Mi Home Security Camera's playback feature is only available after installing a compatible MicroSD card. Once a MicroSD card has been installed and the security camera is turned on, videos will be recorded automatically. After entering the user interface of the Playback feature, simply slide the bar on the timeline to select the time period you wish to view.



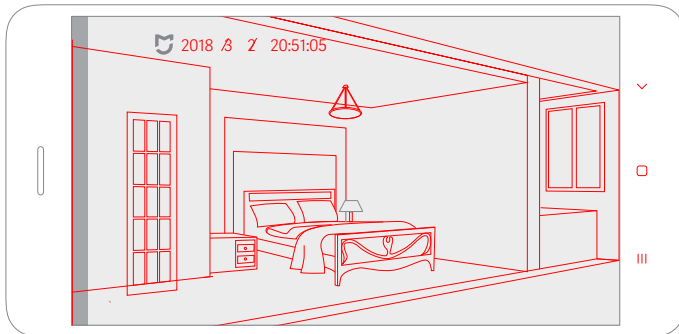
Note:

The diagram is for reference only. Actual displays will vary based on different versions of the Mi Home platform and your smartphone model.

## Supporting Infrared and Image-intensified Night Vision

---

With the incorporation of eight infrared illuminators, the security camera is able to view up to a distance of 29.5 feet and capture crystal clear images in the dark.



Infrared night vision mode sample

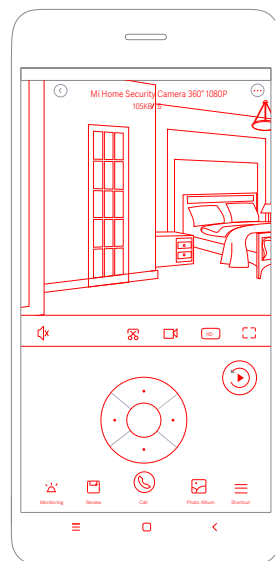
Note:

The diagram is for reference only. Actual displays will vary based on different versions of the Mi Home platform and your smartphone model.

## Real-Time Monitoring

---

Launch the Mi Home app and select a Mi Home Security Camera 360° 1080P that is already connected to monitor the surroundings in real-time. The camera's control interface allows you to adjust the sharpness of the image, as well as to change the device's vertical and horizontal viewing angles. Additional features such as screen capture or record and remote communications can also be performed.



Note:

The diagram is for reference only. Actual displays will vary based on different versions of the Mi Home platform and your smartphone model.

## Specifications

---

Name: Mi Home Security Camera 360° 1080P  
Model: MJSXJ02CM  
Focal Length: 0.11 inches  
Power Input: 5 V  $\overline{=}$  2 A  
Adapter Input: 100 - 240 V ~ 50/60 Hz 0.35 A  
Item Dimensions: 4.64 x 3.07 x 3.07 inches  
Expandable Memory: MicroSD card (up to 64 GB)  
Operating Temperature: -14 °F ~ 122 °F  
Compatible With: Android 4.4, iOS 9.0 or later  
Wireless Connectivity: Wi-Fi IEEE 802.11 b/g/n 2.4 GHz

Lens Angle: 110°  
Resolution: 1080P  
Net Weight: 8.43 oz  
Output: 5 V  $\overline{=}$  2 A  
Video Encoding: H.265

We hereby declare that all essential radio test suites have been carried out and that the above named product is in conformity to all the essential requirement of Directive 2014/53/EU.

Conclusion: When tested as specified, the results shown on the report meet the requirements of the Reuse / Recycling / Recovery Rate of Directive 2012/19/EU released on EU Official Journal (OJ).

Manufactured for: Xiaomi Communications Co., Ltd.  
Manufactured by: Shanghai Imilab Technology Co., Ltd.  
(a Mi Ecosystem company)



Address: Room 908, No. 1, Lane 399, Shengxia Rd., China Pilot Free Trade Zone, Shanghai, China 201210  
For further information, please go to [www.mi.com](http://www.mi.com)

## FCC Statement

---

Changes or modifications not expressly approved by the party responsible for compliance could void the user's authority to operate the equipment.

This device complies with Part 15 of the FCC Rules.

Operation is subject to the following two conditions:

- (1) this device may not cause harmful interference, and
- (2) this device must accept any interference received, including interference that may cause undesired operation.

Note: This equipment has been tested and found to comply with the limits for a Class B digital device, pursuant to Part 15 of the FCC Rules. These limits are designed to provide reasonable protection against harmful interference in a residential installation. This equipment generates, uses, and can radiate radio frequency energy, and if not installed and used in accordance with the instructions, may cause harmful interference to radio communications. However, there is no guarantee that interference will not occur in a particular installation. If this equipment does cause harmful interference to radio or television reception, which can be determined by turning the equipment off and on, the user is encouraged to try to correct the interference by one or more of the following measures:

- Reorient or relocate the receiving antenna.
- Increase the separation between the equipment and receiver.
- Connect the equipment into an outlet on a circuit different from that to which the receiver is connected.
- Consult the dealer or an experienced radio/TV technician for help.

FCC 20cm Statement: This equipment complies with FCC radiation exposure limits set forth for an uncontrolled environment. This equipment should be installed and operated with a minimum distance of 20cm between the radiator & your body. This transmitter must not be co-located or operating in conjunction with any other antenna or transmitter.

FCC ID: 2APA9-IPC009A

## Adaptor Statements

---

For pluggable equipment, the socket-outlet (power adaptor) shall be installed near the equipment and shall be easily accessible.