

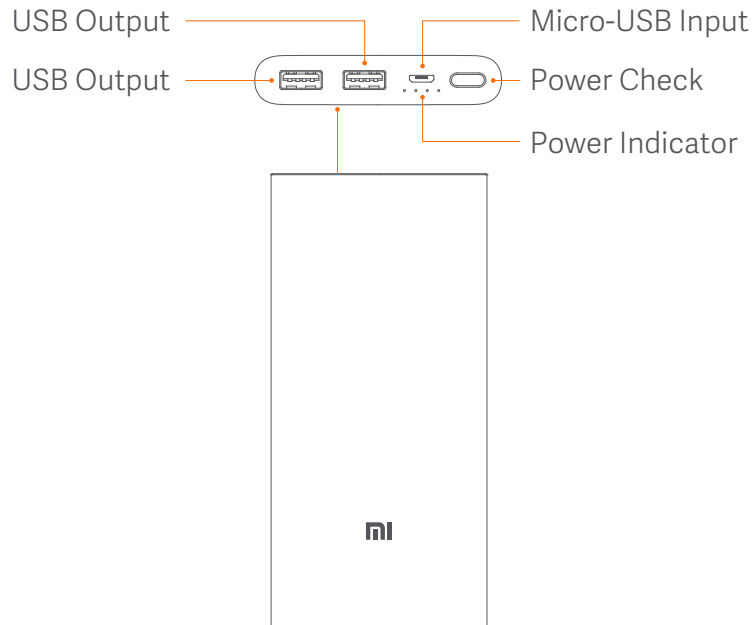
10000mAh Mi Power Bank 2S User Manual



Product Overview

Thank you for choosing 10000mAh Mi Power Bank 2S.

This product is a high-capacity portable charger that uses Li-polymer battery, charge and discharge chip for a safe, efficient, and compatible user experience.



The Power Check button is not a Power button.

10000mAh Mi Power Bank 2S detects charging and discharging automatically.

The Power indicator goes off 2 minutes after fully discharged.

Safety: Mi Power Bank has multiple safeguard technologies to provide over-charge, over-discharge, high temperature, and short circuit protection in all working conditions.

Efficiency: Supports fast charging at 5.1V/2.4A, 9V/1.6A, 12V/1.2A only one output port used. The total power can be up to 15W when two output ports used together, at 5.1V/2.4A maximum output for each one.

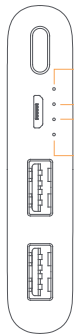
Compatibility: The product has a built-in USB charging controller, compatible with most smartphones, tablets, and devices. It supports mainstream fast charging devices and can boost up to 9V/12V.

Quality: Li-polymer battery, charge and discharge chip.

Charging

Connect with Mi Power Adapter to charge Mi Power Bank.

The indicator shows charging conditions as follows:



Power level	LED1	LED2	LED3	LED4
0-25%	Blinking	Off	Off	Off
25-50%	On	Blinking	Off	Off
50-75%	On	On	Blinking	Off
75-99%	On	On	On	Blinking
Fully charged	On	On	On	On
Charging error	Blinking	Blinking	Blinking	Blinking

Discharging

Connect with Mi Power Bank to charge your device.

The indicator shows discharging conditions as follows:

Power level	LED1	LED2	LED3	LED4
Undervoltage	Off	Off	Off	Off
0-25%	Blinking	Off	Off	Off
25-50%	Blinking	Blinking	Off	Off
50-75%	Blinking	Blinking	Blinking	Off
75-100%	Blinking	Blinking	Blinking	Blinking

Low-current discharge: when Mi Power Bank is not charging, double press the Power Check button to enter low-current discharge mode to charge small devices, such as Bluetooth headphones and smart bands. The indicator LEDs will turn on one by one in succession, indicating that Mi Power Bank is in low-current discharge mode. To exit low-current discharge mode, press the Power Check button.

Specifications

Model: PLM09ZM

Capacity: 10000mAh 3.7V (37Wh)

Operating temperature: 0°C~40°C

Input port: Micro-USB

Input: 5.0V $\overline{=}$ 2.0A/9.0V $\overline{=}$ 2.0A/12.0V $\overline{=}$ 1.5A

Output: Single port 5.1V $\overline{=}$ 2.4A/9.0V $\overline{=}$ 1.6A MAX/12.0V $\overline{=}$ 1.2A MAX

Dual ports 5.1V $\overline{=}$ 2.4A (15W MAX)

Charging time: approx. 3.5 hrs (9V/2A or 12V/1.5A adapter, standard cable);
approx. 5.5 hrs (5V/2A adapter, standard cable)

Battery type: Li-polymer battery

Rated capacity: 6500mAh 5.1V (TYP 1A)

Dimensions: 147 × 71.2 × 14.2 mm

Output port: USB-A

Note

- Make sure your Mi Power Bank is fully charged on its first use.
- When charging a device with Mi Power Bank, make sure your device displays the battery charging icon and the Mi Power Bank is working properly.
- When recharging Mi Power Bank or charging a device with Mi Power Bank, make sure you use a standard charging cable.
- If all indicators go off when charging a device with Mi Power Bank, recharge your Mi Power Bank shortly.
- When charging a device with Mi Power Bank, the device will use Mi Power Bank's power first.
- Disconnect Mi Power Bank to avoid further discharge once your device is fully charged.
- When Mi Power Bank enters protection mode (LEDs remain off after pressing the Power Check button) due to short circuit or other reasons, charge it with an external charger to resume.

Warning

Mi Power Bank contains Li-ion battery cell. Do not open the casing to avoid cell damage or other hazards.

Do not dismantle, crush, puncture and short circuit Mi Power Bank, or expose it to liquids, fire or environments where the temperature is above 60°C (140°F).

CE

Hereby, declares that this equipment is in compliance with the Electromagnetic Compatibility Directive 2014/30/EU.

Test standards:

EN55032:2015 / EN61000-3-2:2014 / EN61000-3-3:2013 / EN55024:2010

Anti-counterfeit Label Instructions

Each Mi Power Bank comes with an anti-counterfeit label on the outer package.

Scratch the coating and go to <http://chaxun.mi.com> to check authentication.



Anti-counterfeit label



Scratched-off label

For further information, please go to www.mi.com

Read this manual carefully before use, and retain it for future reference.

Manufactured for: Xiaomi Communications Co., Ltd.

Manufactured by: Zimi Corporation (a Mi Ecosystem company)

Address: A913, No. 159 Chengjiang Middle Road, Jiangyin, Jiangsu, China



Manufactured for: Xiaomi Communications Co., Ltd.
Manufactured by: Zimi Corporation (a Mi Ecosystem company)
Address: A913, No. 159 Chengjiang Middle Road, Jiangyin, Jiangsu, China