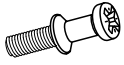



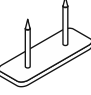
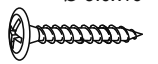

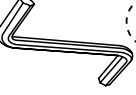
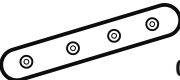


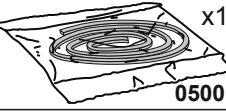


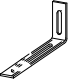
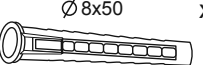
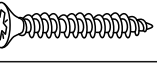
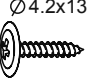

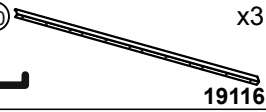
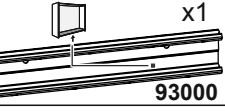
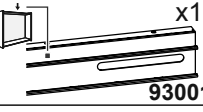


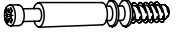

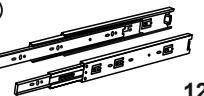


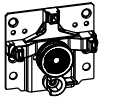

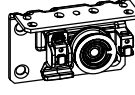
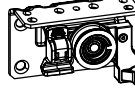
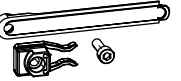
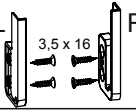

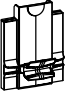
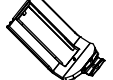
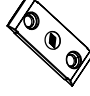




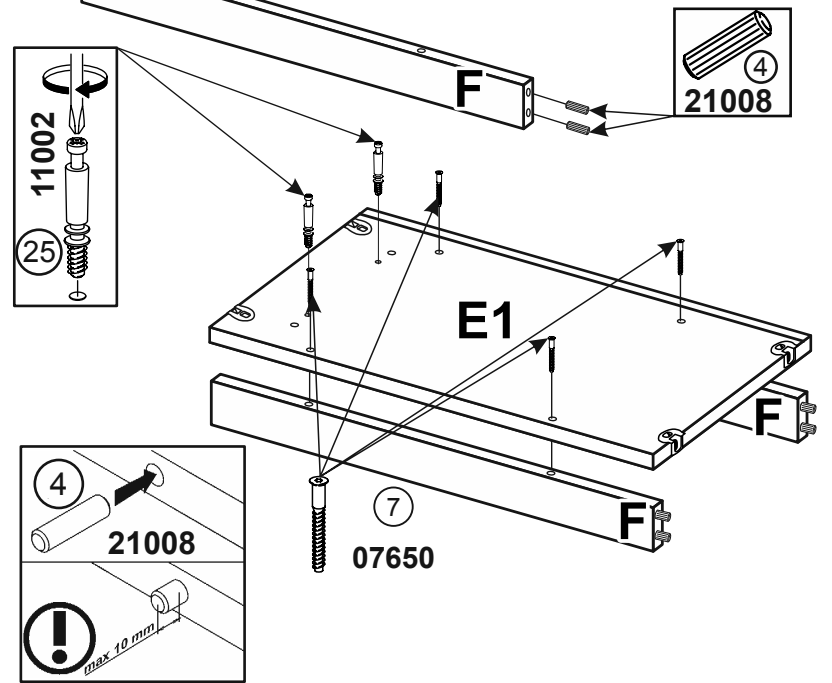
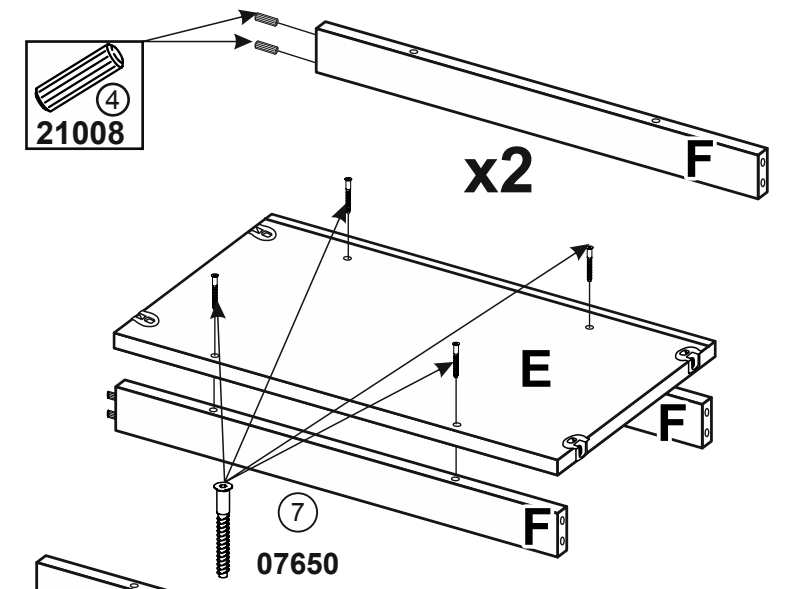
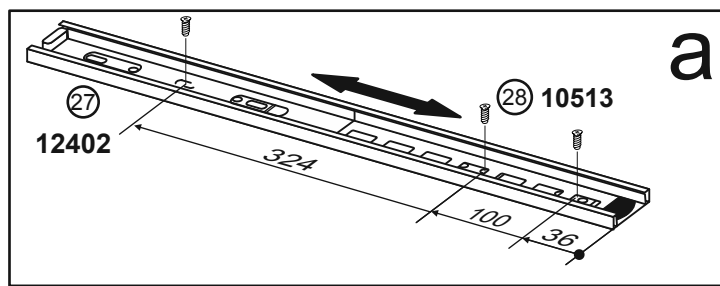
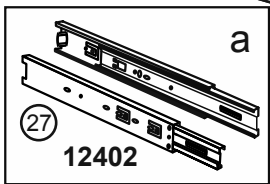
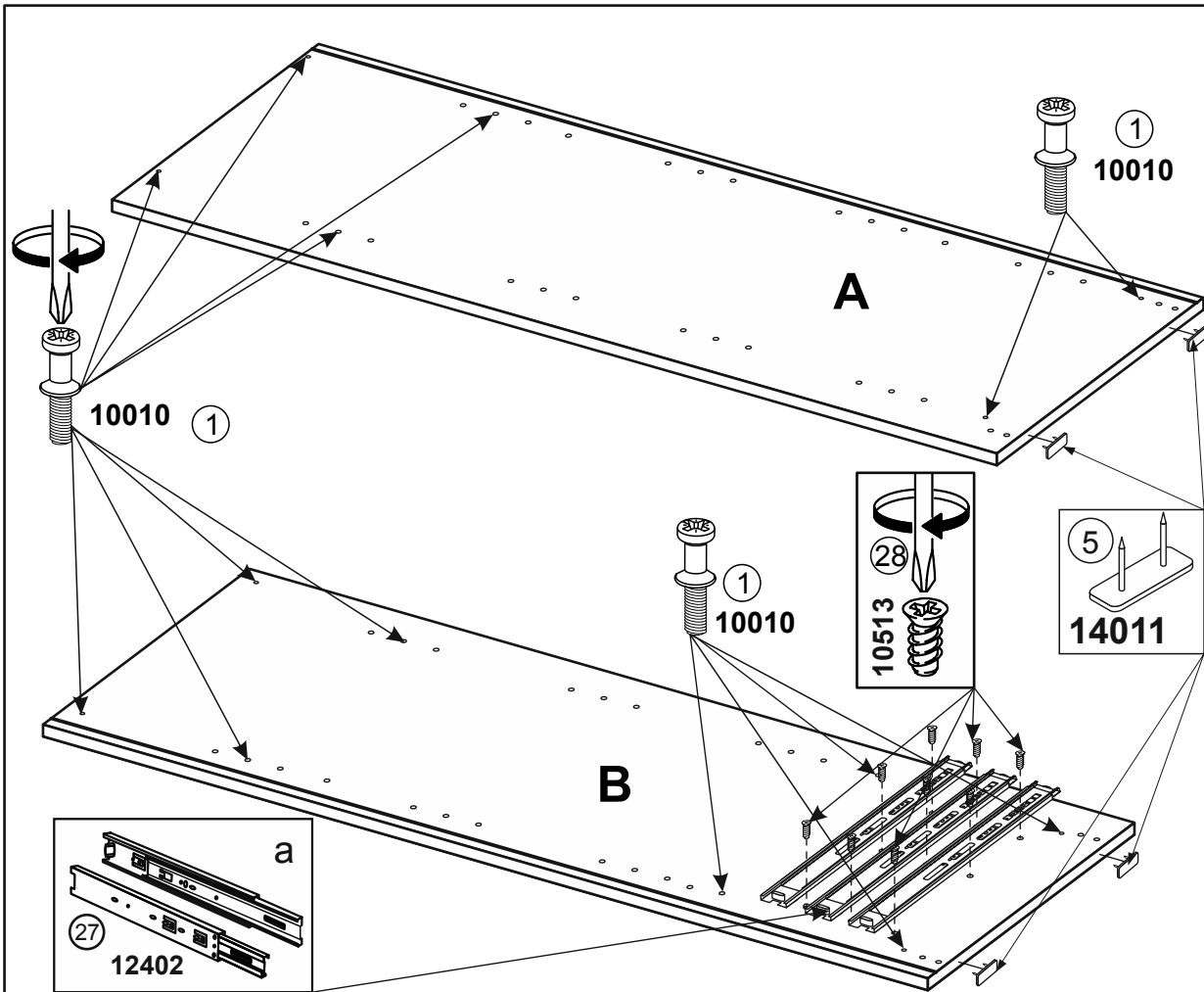


Teil	Maß			St
A	2102	x 580	x 16	x 1 1/8
B	2102	x 552	x 16	x 1 1/8
C	2102	x 535	x 16	x 1 2/8
D	726	x 535	x 16	x 2 4/8
E	726	x 535	x 16	x 1 4/8
E1	726	x 535	x 16	x 1 4/8
F	726	x 60	x 16	x 4 4/8
G	762	x 512	x 16	x 2 7/8
G1	762	x 512	x 16	x 2 7/8
H	762	x 512	x 16	x 2 6/8
H1	762	x 512	x 16	x 2 6/8
I	726	x 521	x 16	x 2 3/8
J1	2018	x 734	x 3	x 1 2/8
J2	2018	x 734	x 3	x 1 2/8
K	-1466MM			x 1 5/8
L	-1462MM			x 1 5/8
V	-719MM			x 2 4/8
M	726	x 501	x 16	x 2 3/8
N	645	x 501	x 16	x 1 8/8
O	622	x 120	x 16	x 3 8/8
P	400	x 110	x 16	x 3 8/8
Q	400	x 110	x 16	x 3 8/8
S	570	x 110	x 16	x 3 8/8
T	582	x 396	x 3	x 3 8/8
W1	501	x 438	x 16	x 1 8/8



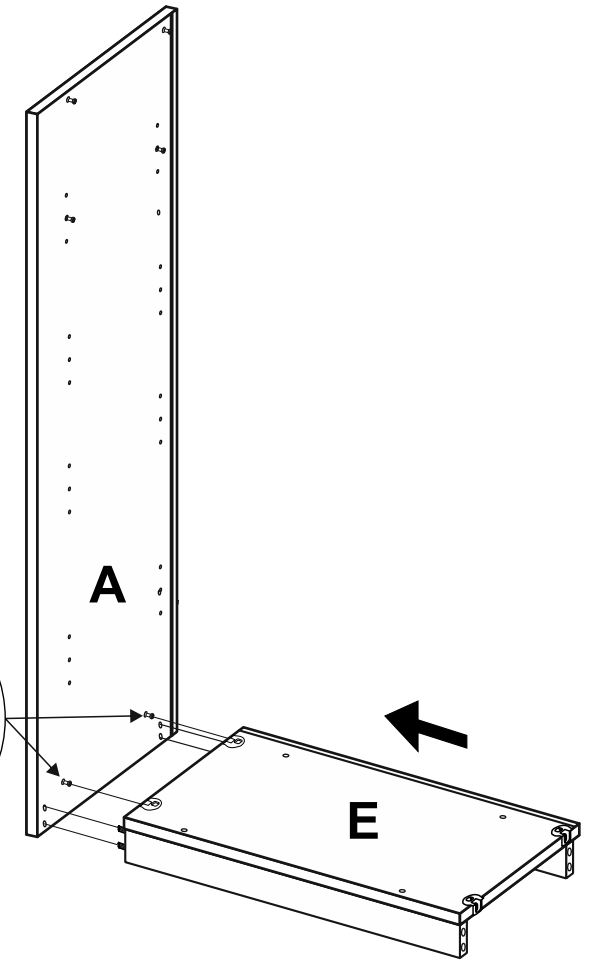
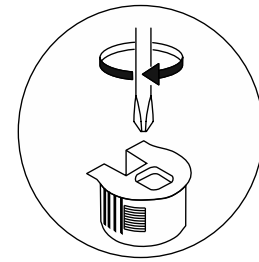
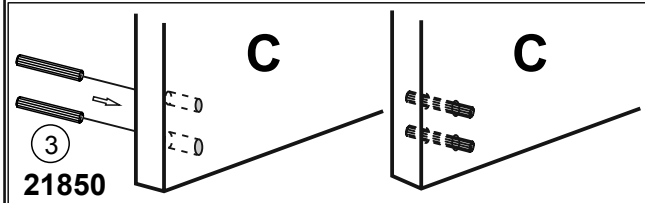
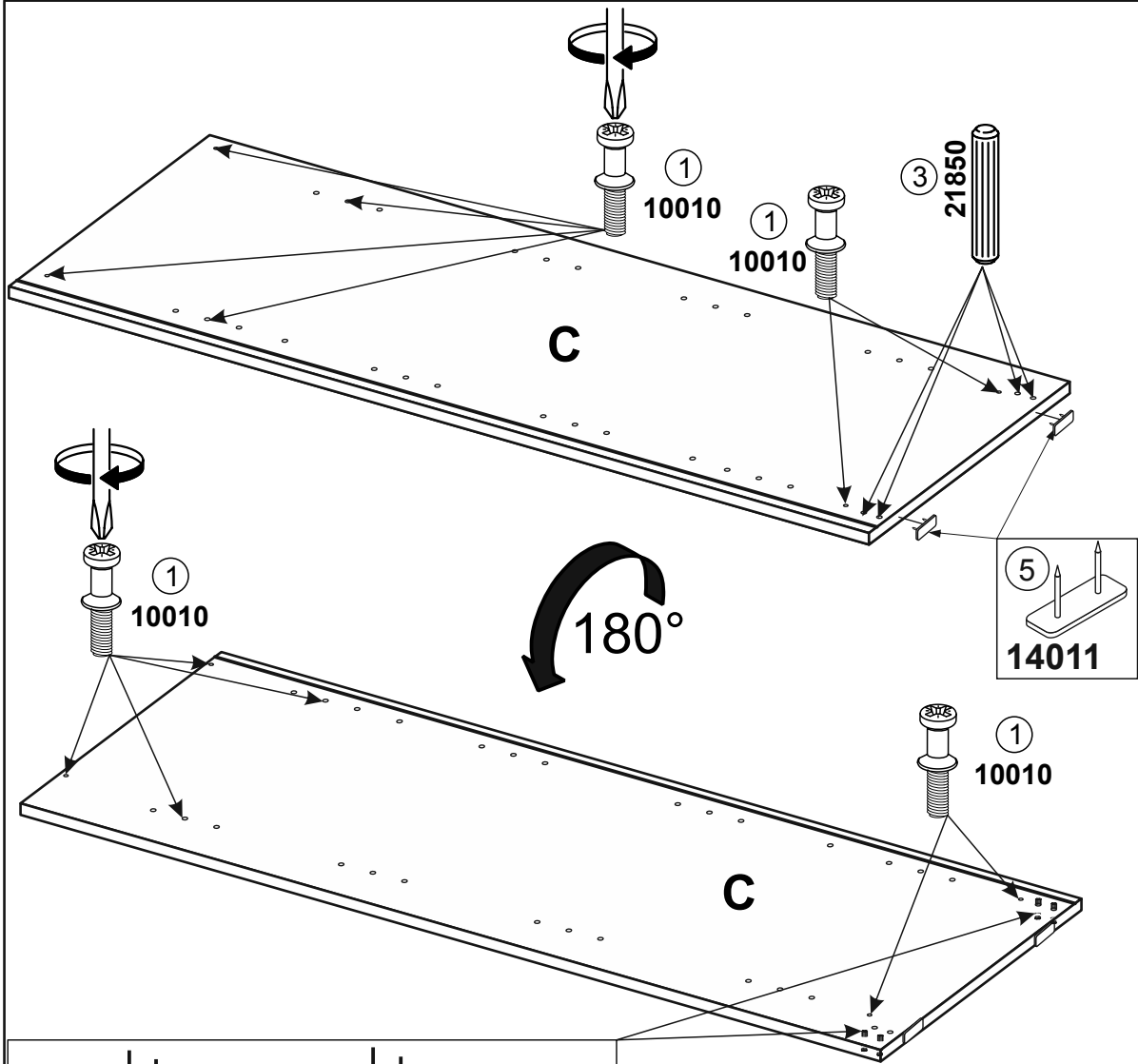
①  x26 10010	②  x8 05030	③  Ø8x50 x4 21850	④  Ø8x30 x36 21008
⑤  x6 14011	⑥  Ø 3.0x16 x48 00316	⑦  Ø 6.4x50 x14 07650	⑧  x1 07001
⑨  x12 05027	⑩  x4 80333	⑪  Ø 6.3x10 x8 10615	⑫  x1 05001
⑬  Ø 3.5x15 x16 10315	⑭  Ø3x16 x48 10217	⑮  x2 08011	⑯  Ø8x50 x2 10016
⑰  Ø5x60 x2 10443	⑱  Ø4.2x13 x10 10413	⑲  x1 19062	⑳  x3 19116
㉑  x1 93000	㉒  x1 93001	㉓  x8 06021	㉔  x8 16010
㉕  x10 11002	㉖  x10 11016	㉗  x3 12402	㉘  Ø 5x13 x37 10513
㉙  x3 05400			

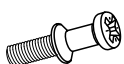
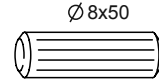
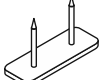
24.1  x1	24.2  x1
24.3  x1	24.4  x1
24.5  x2	24.6  L 3,5 x 16 R x1
24.7  L R x1	24.8  x2
24.9  x2	24.10  x4
24.11  6,3 x 12,5 x24	24.12  3,5 x 16 x19
24  x1	24.13  3,5 x 25 x14

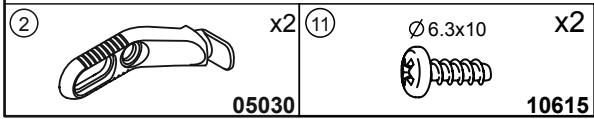
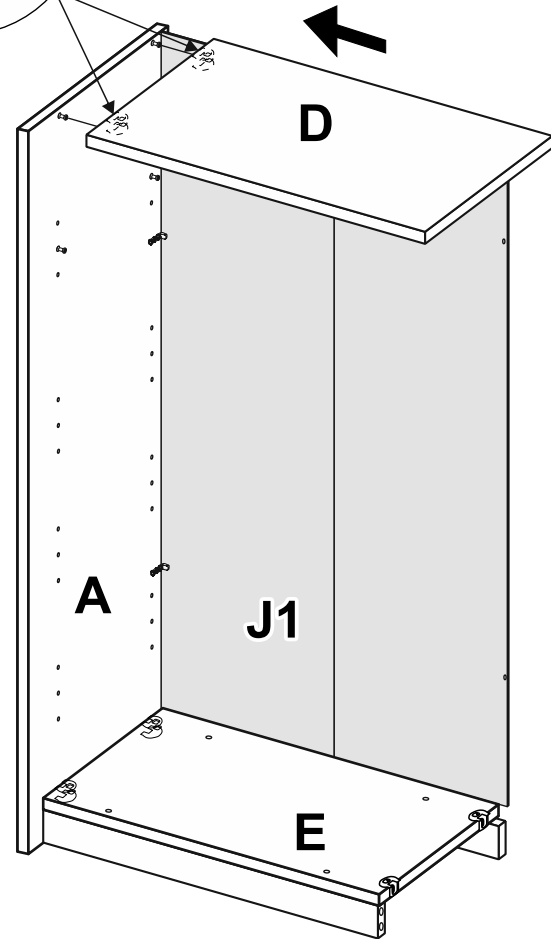
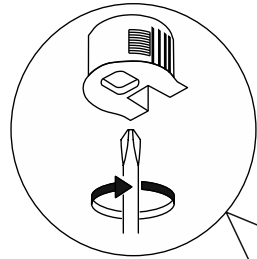
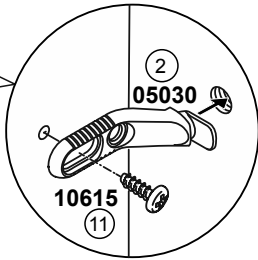
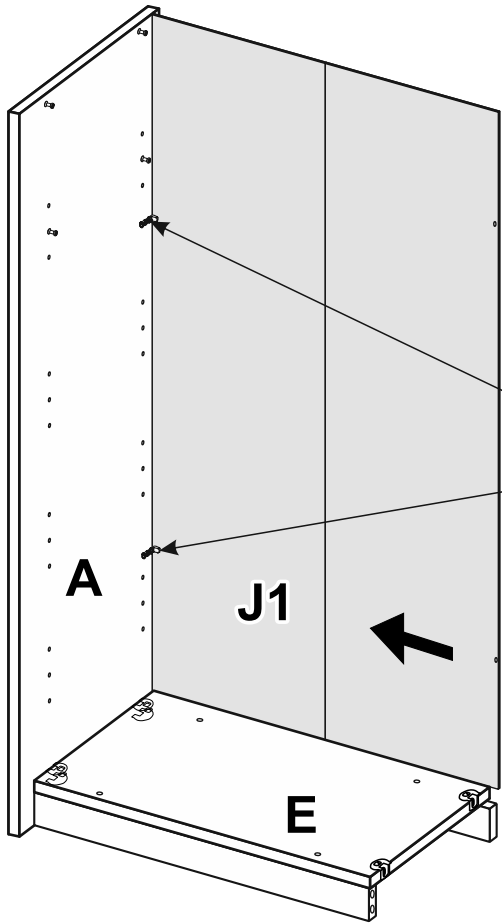


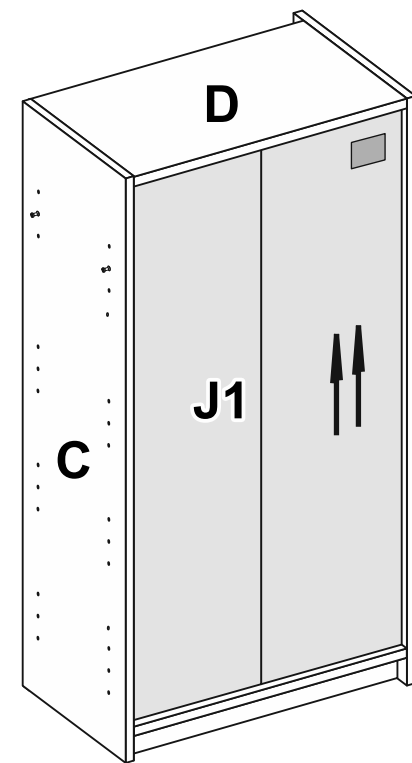
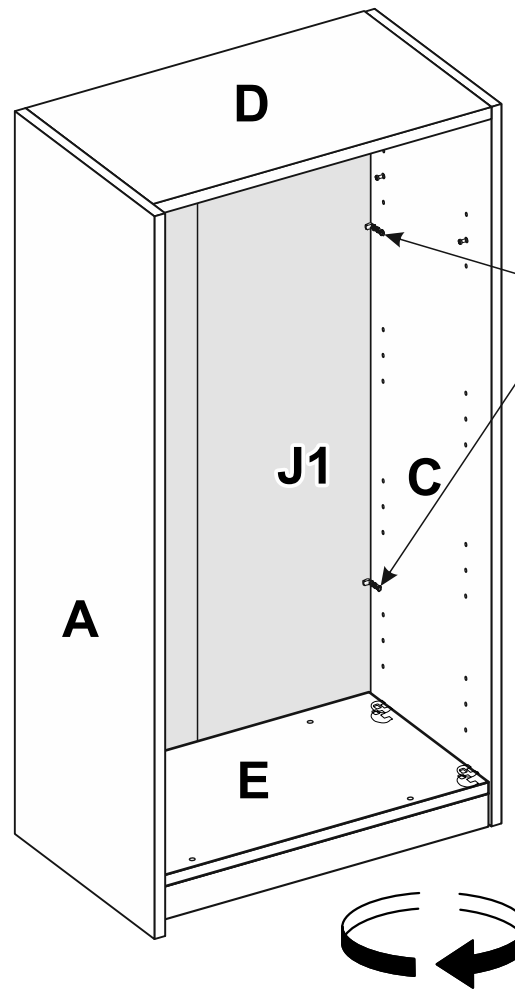
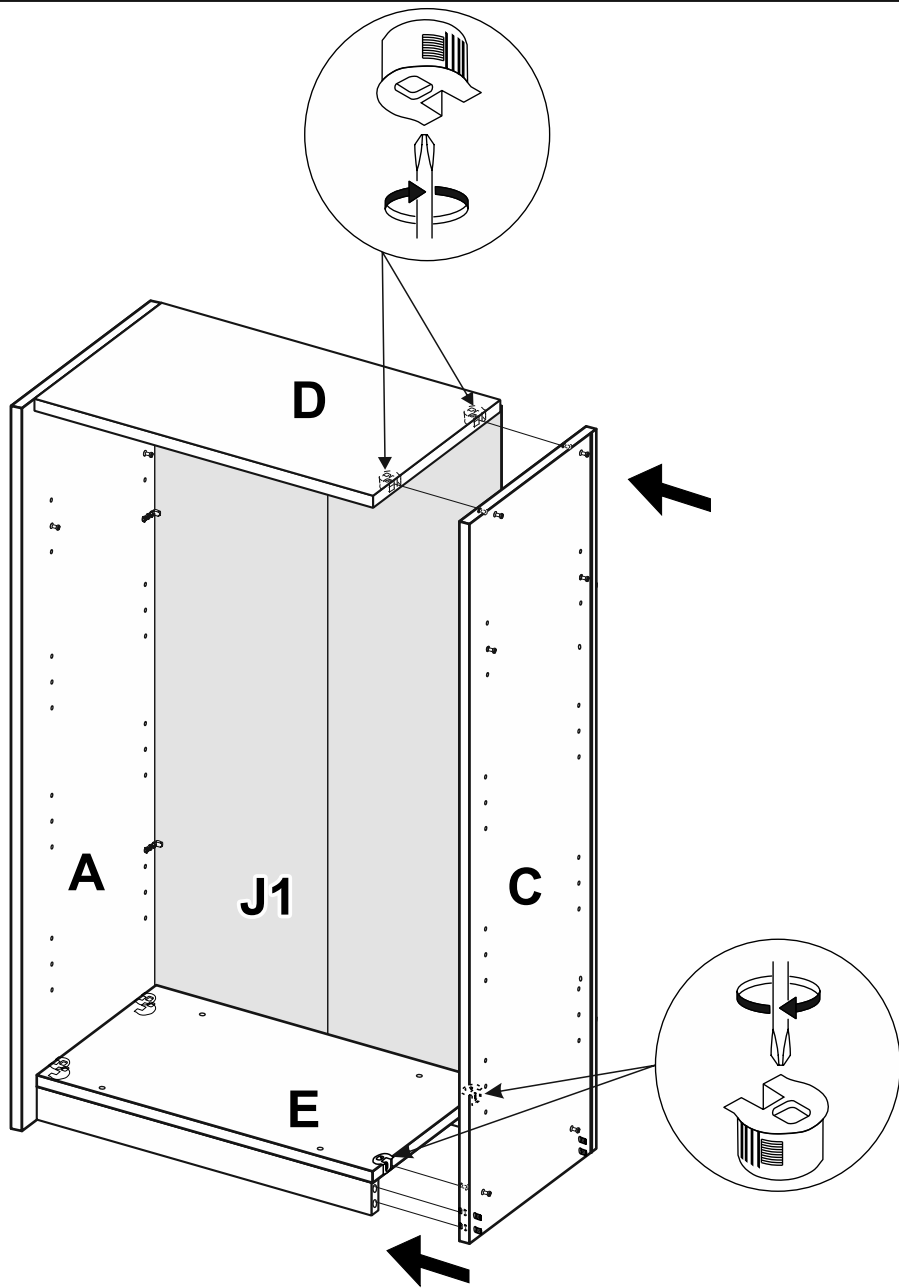
- 1 x14
10010
- 5 x4
14011
- 27 x3
12402
- 28 x9
Ø 5x13
10513

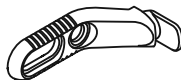

- 25 x2
11002
- 4 x8
Ø 8x30
21008
- 7 x8
Ø 6.4x50
07650

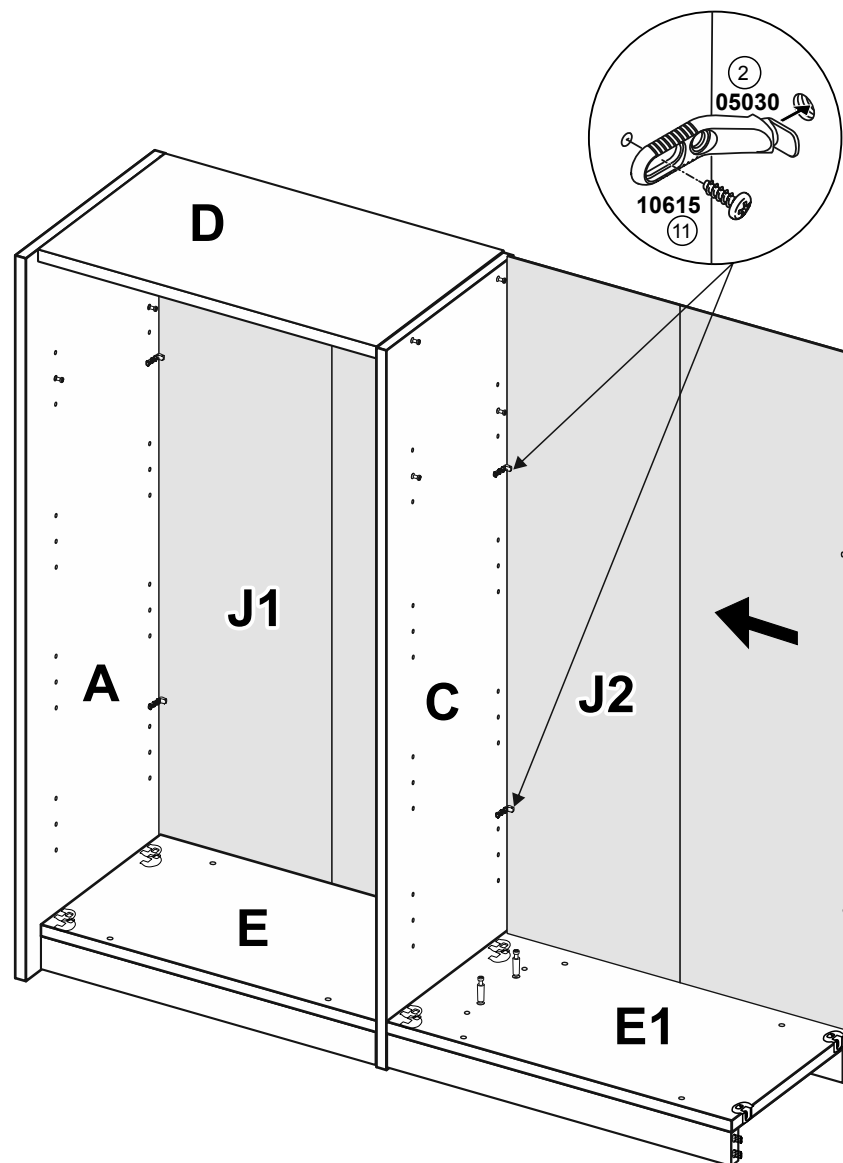
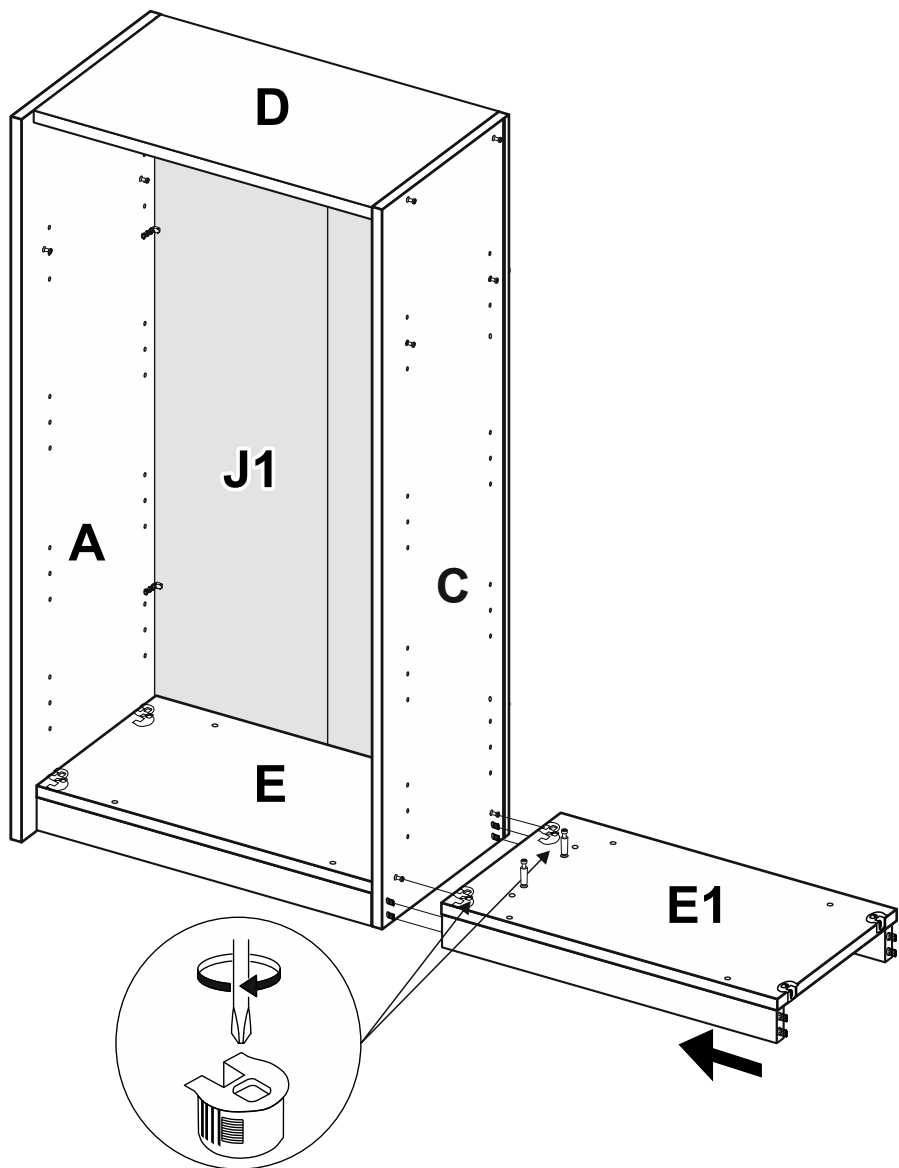



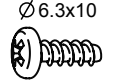
①		x12	10010
③		Ø8x50	x4 21850
⑤			x2 14011

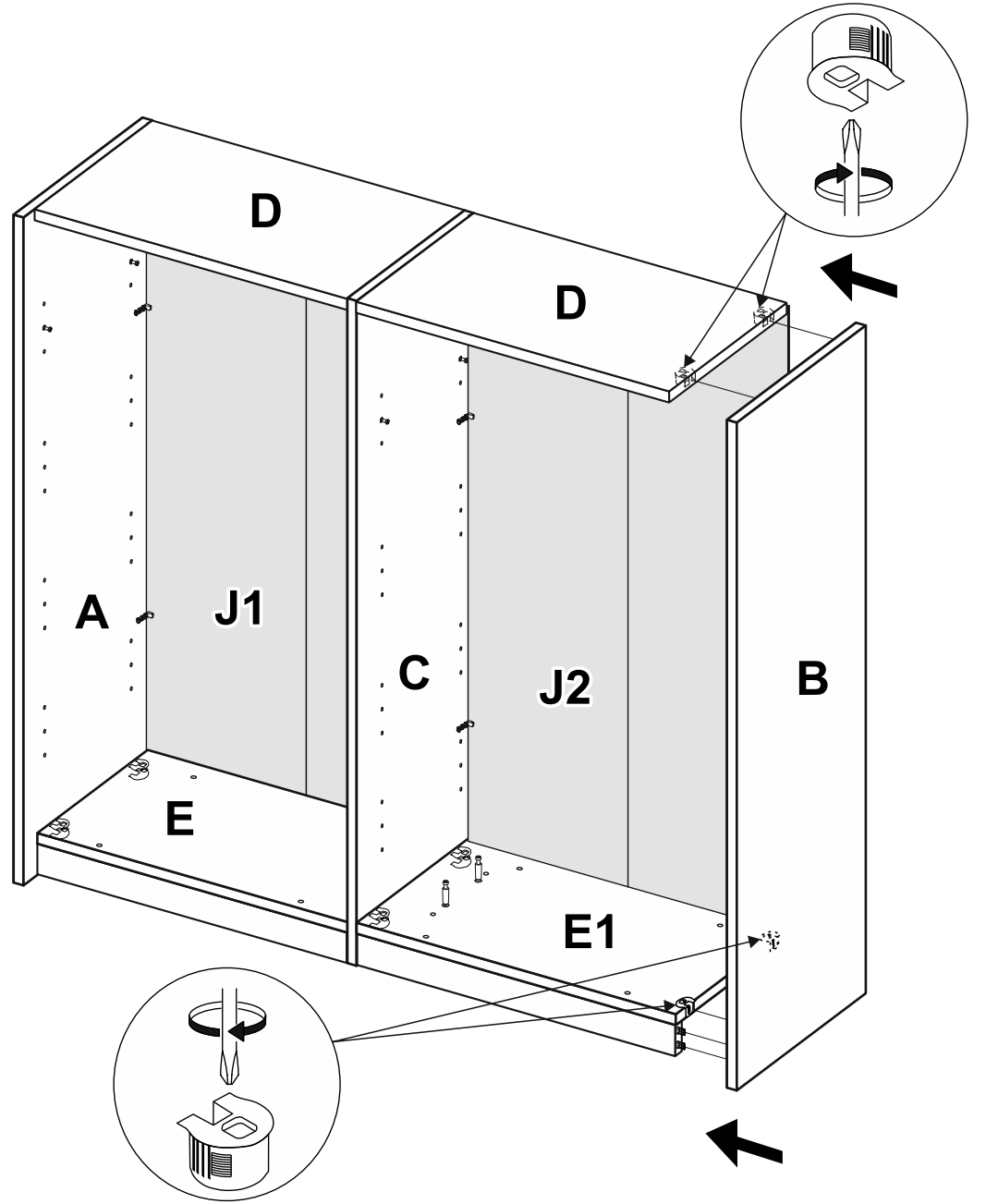
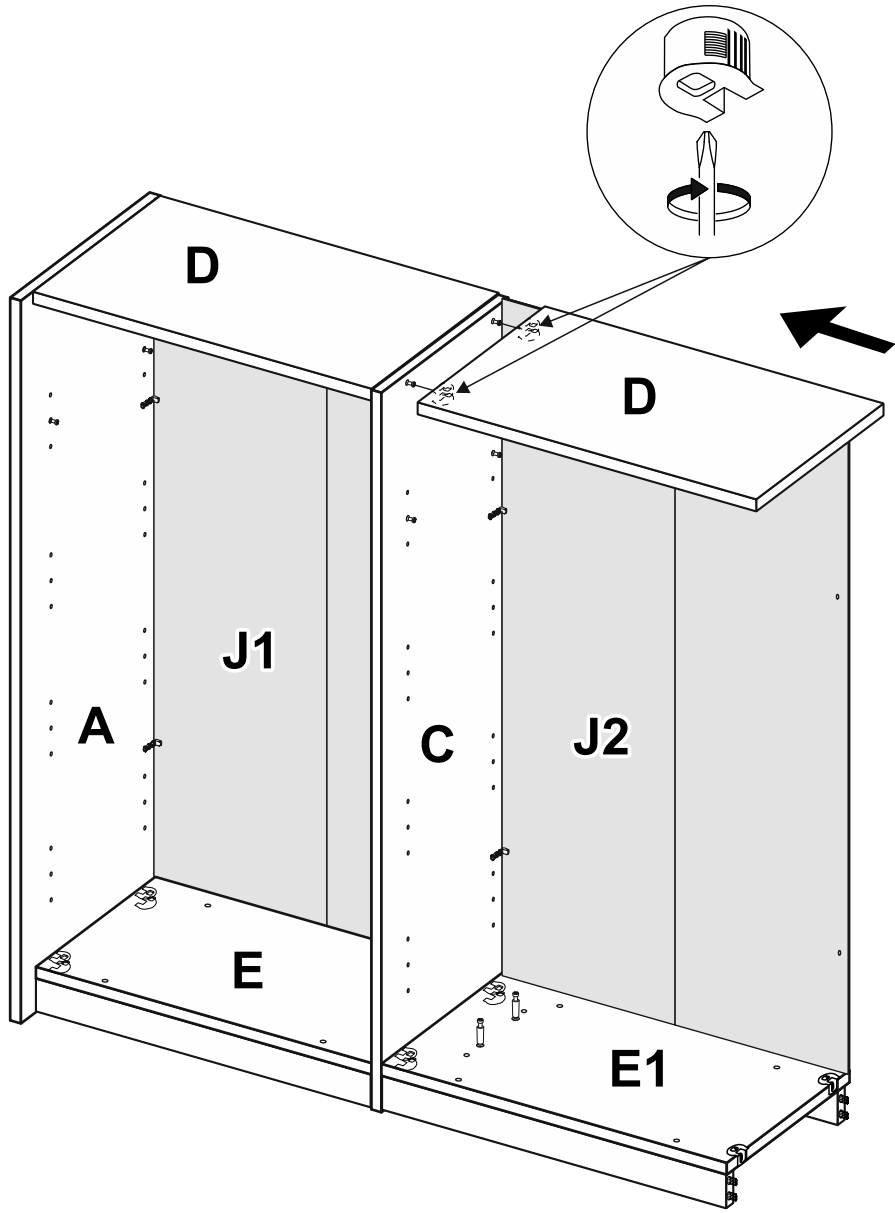


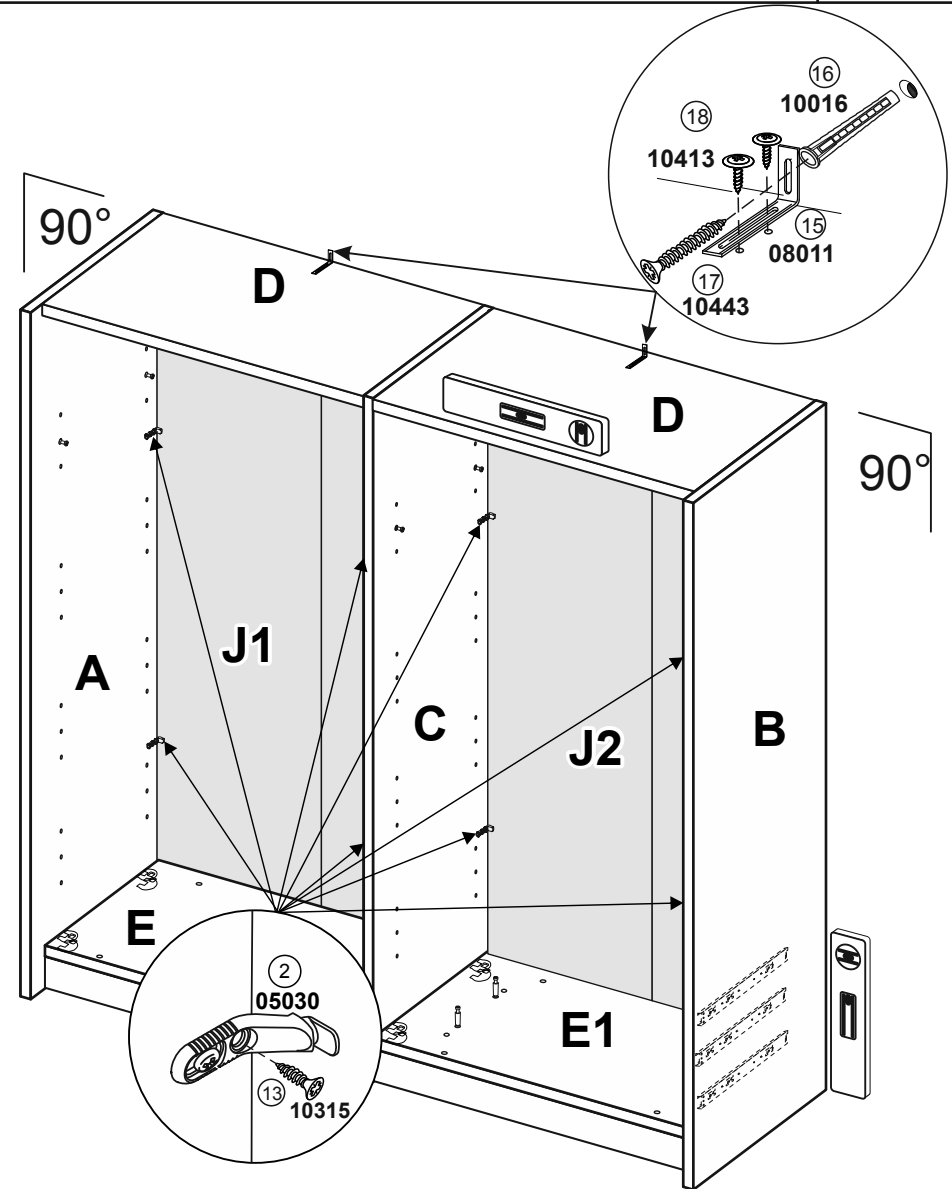
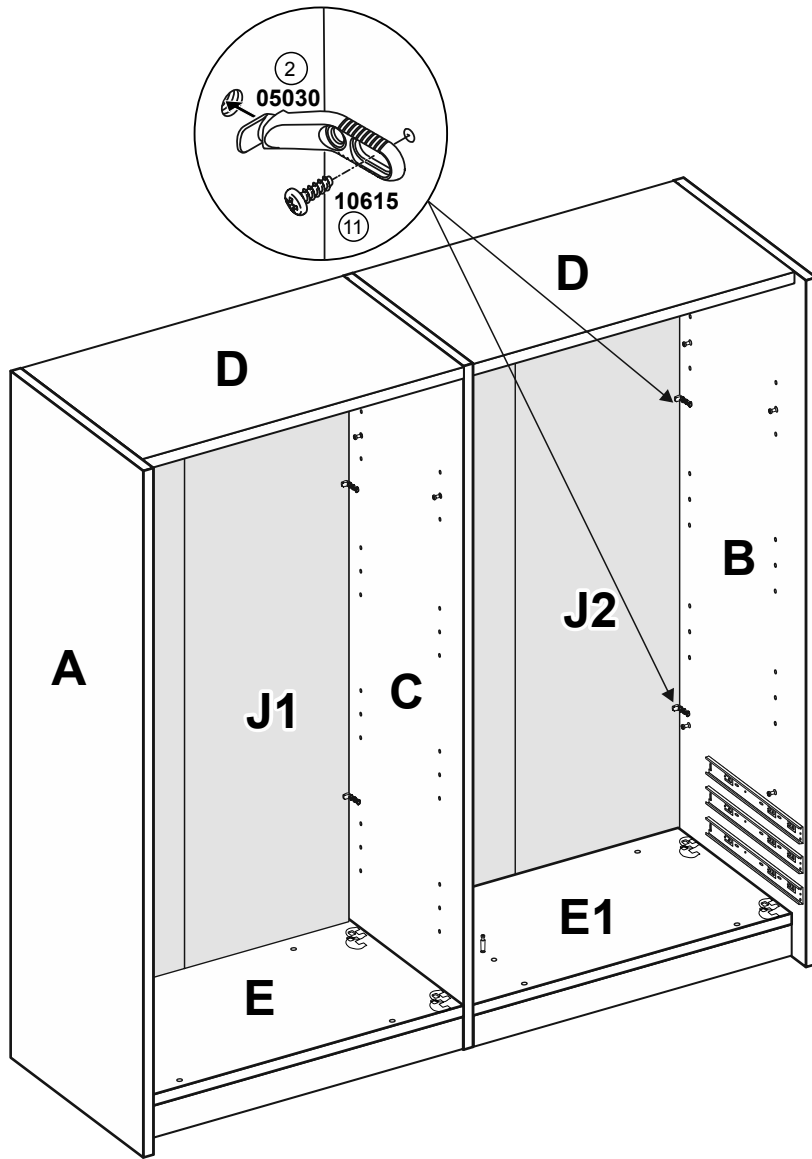


②		x2	⑪		x2
	05030			10615	



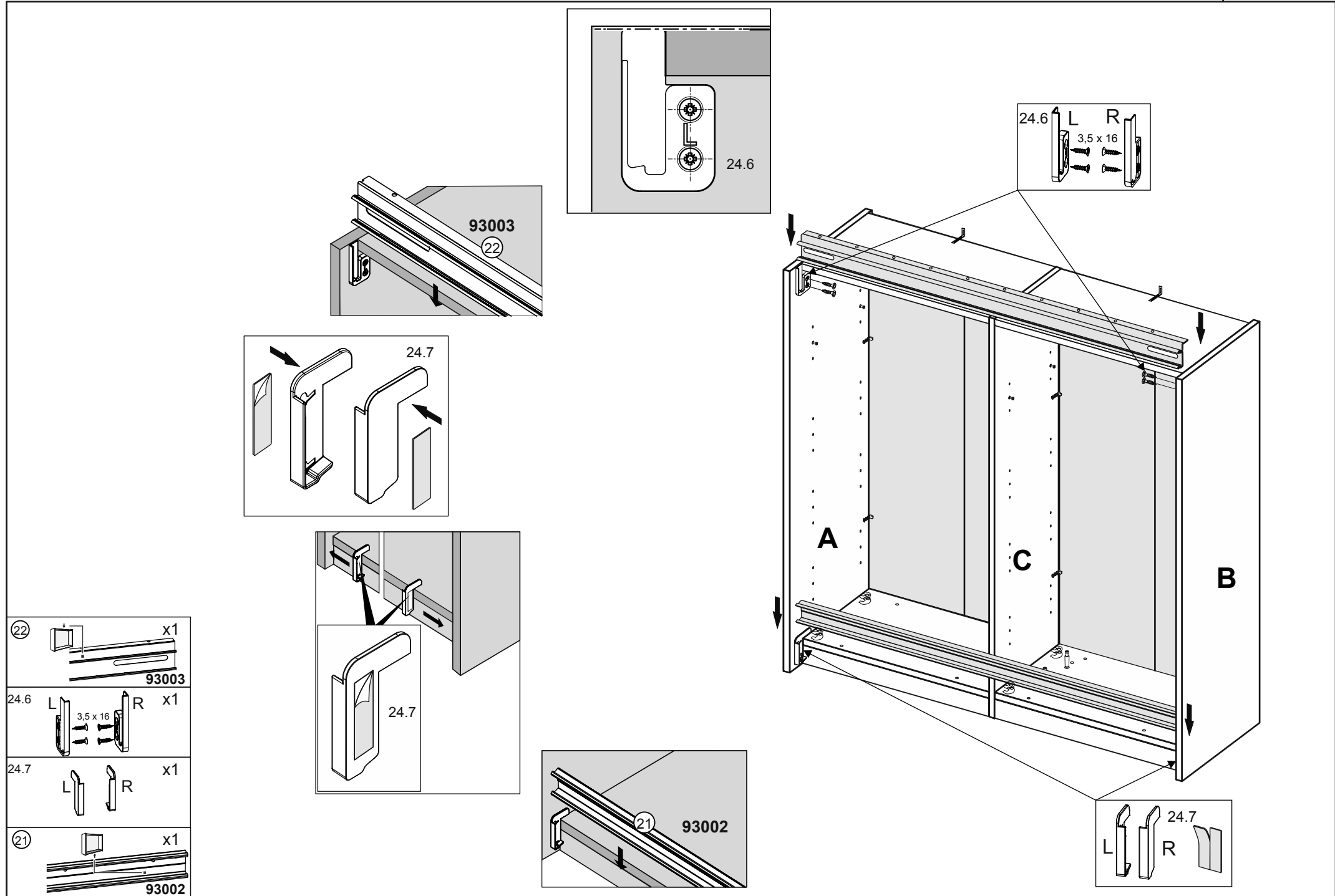
②		x2	⑪		x2
	05030			10615	

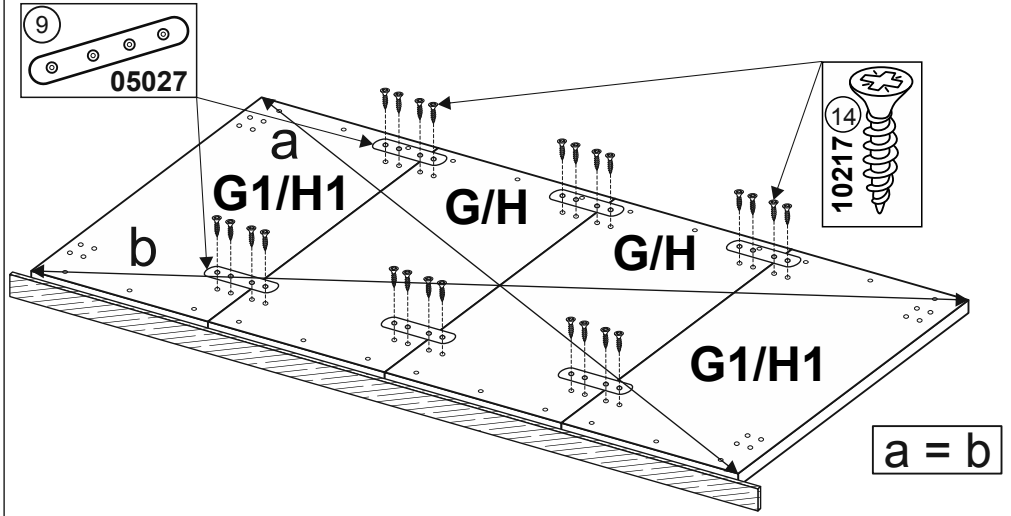
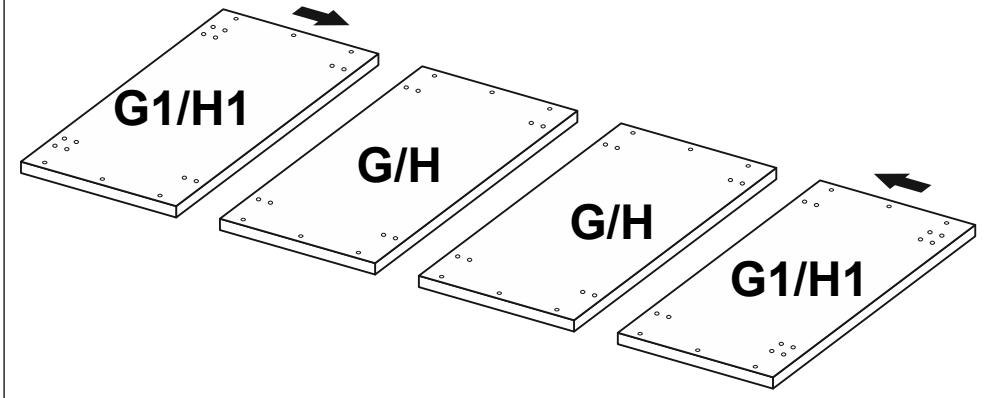
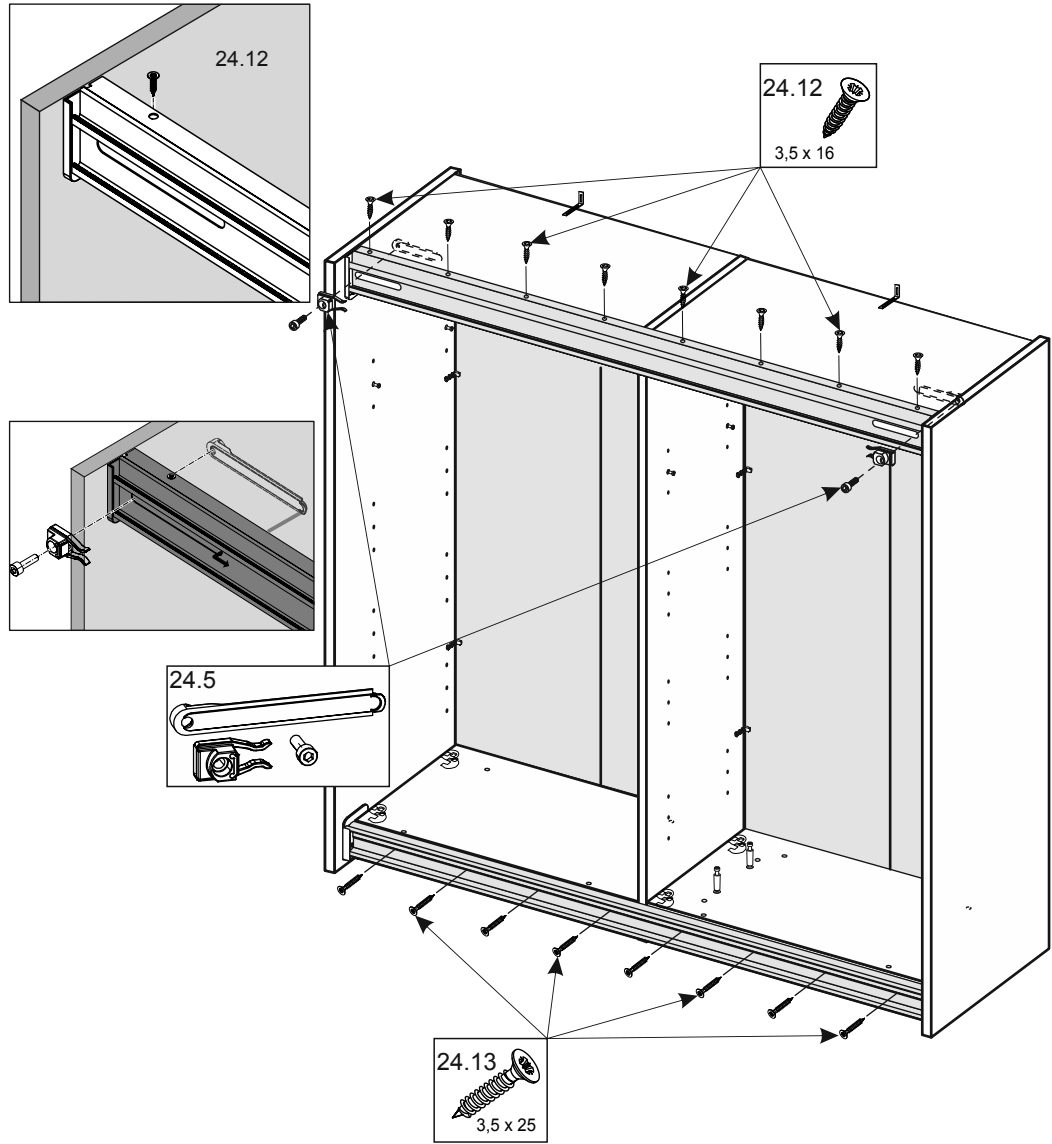


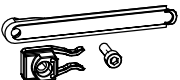




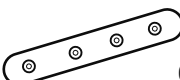

②		x2	⑪		x2
	05030			10615	

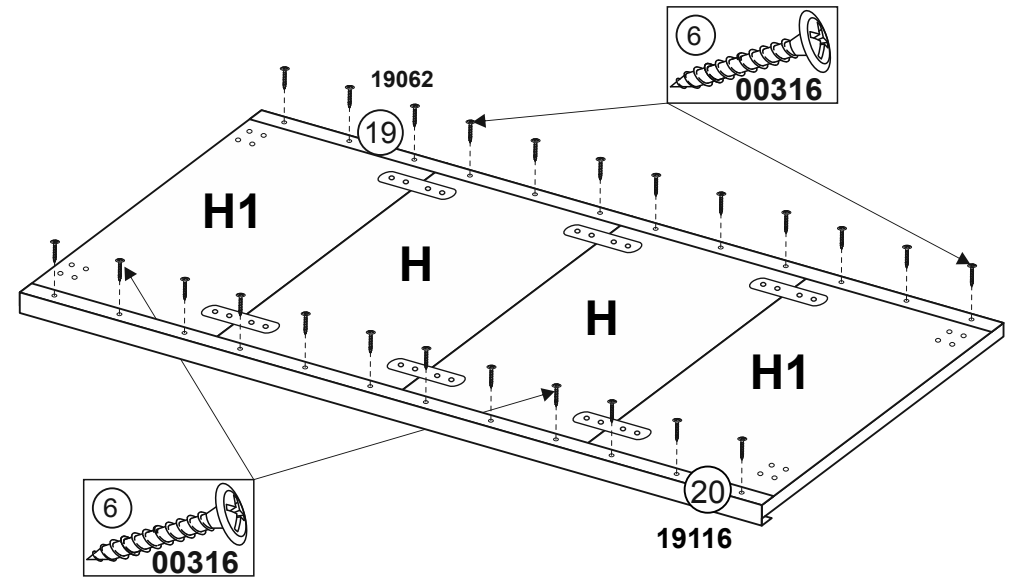
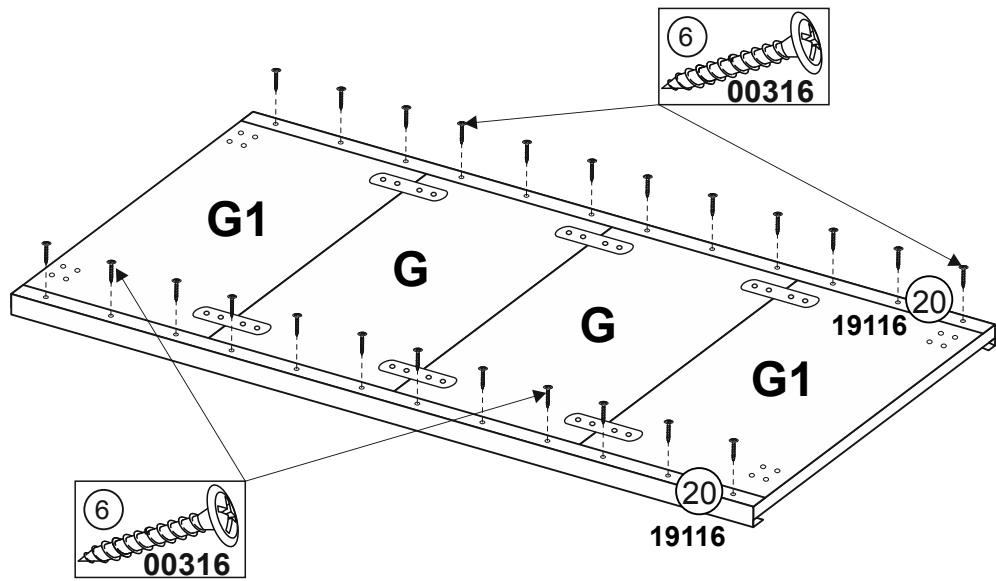
⑮		x2	⑯		x2
	10016			10016	
⑰		x2	⑱		x4
	10443			10413	
			⑬		x8
				10315	



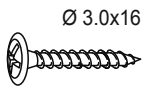


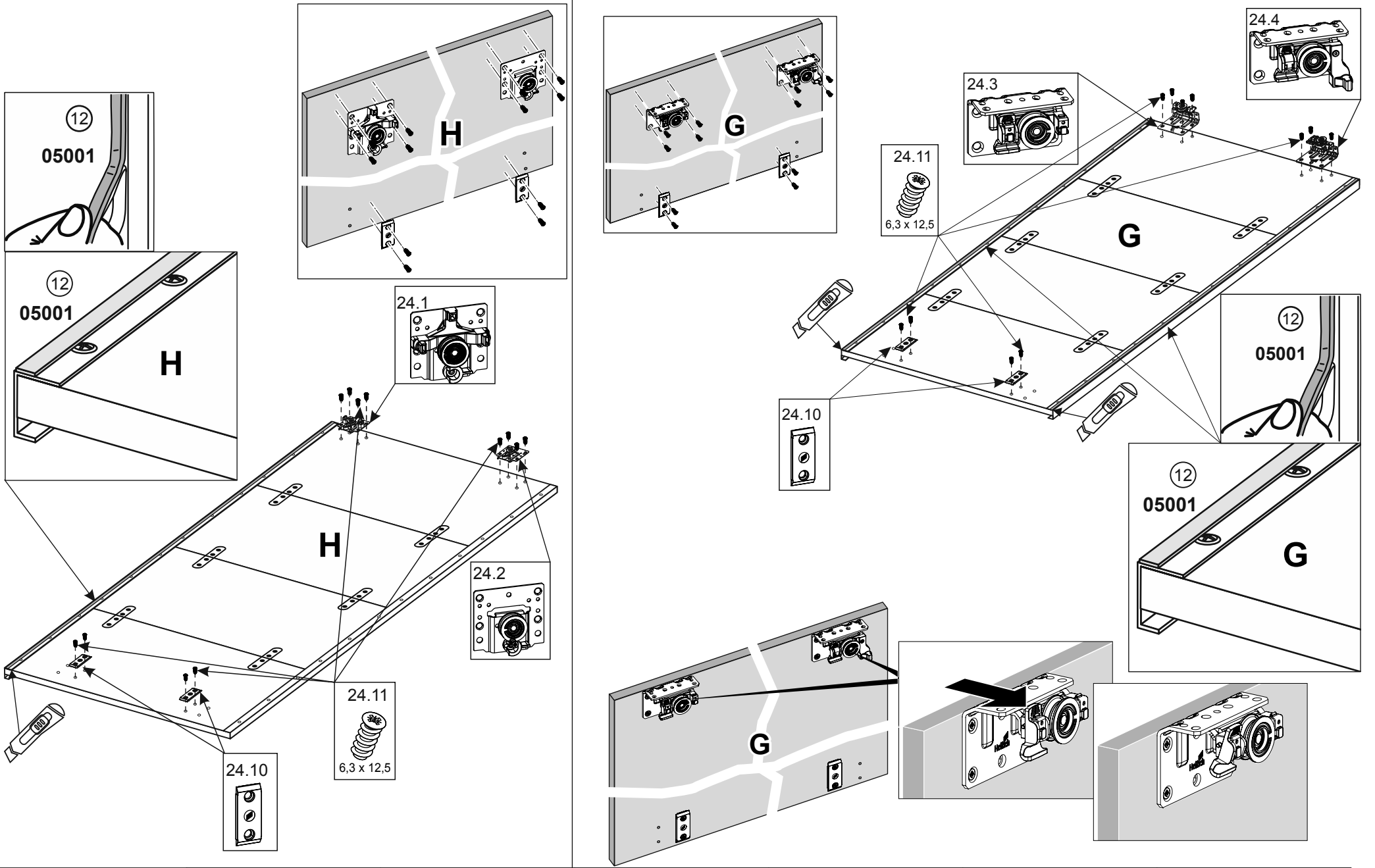


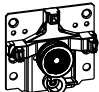

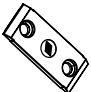
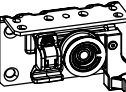
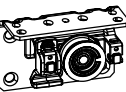


 24.5 x2	 24.12 x8 3,5 x 16	 24.13 x8 3,5 x 25
---	--	--

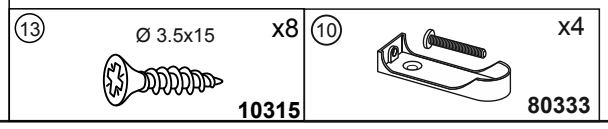
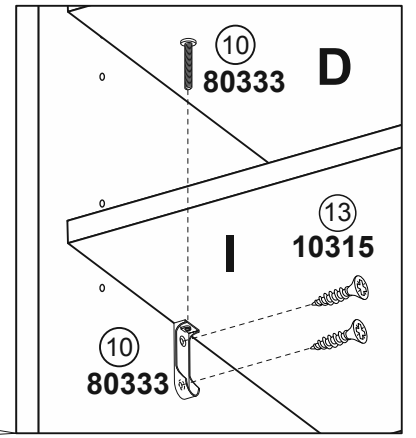
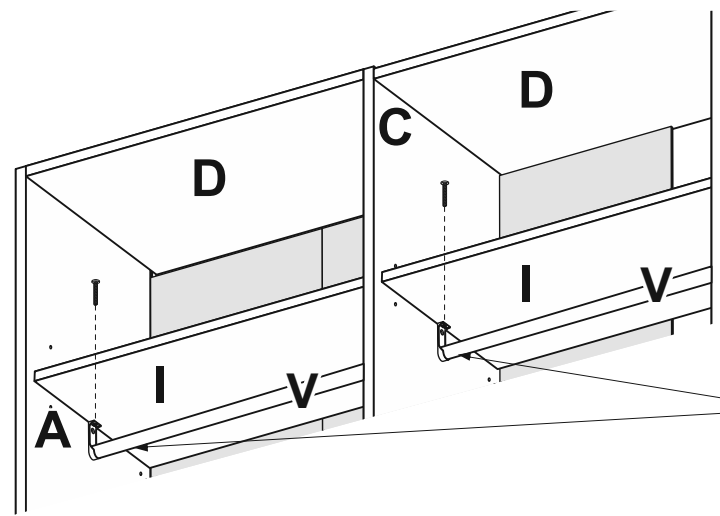
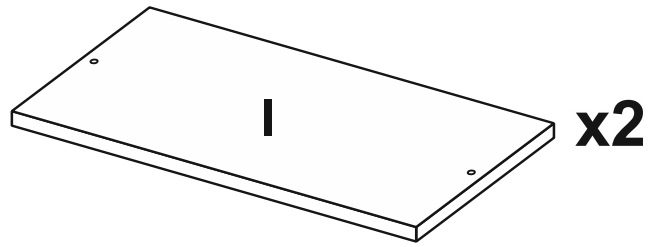
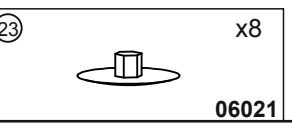
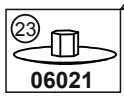
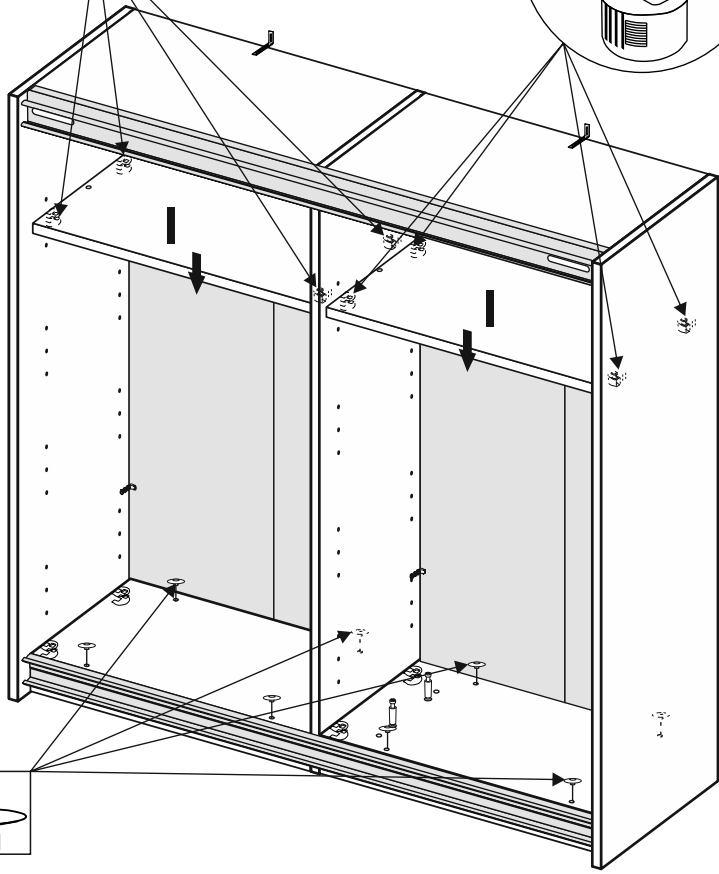
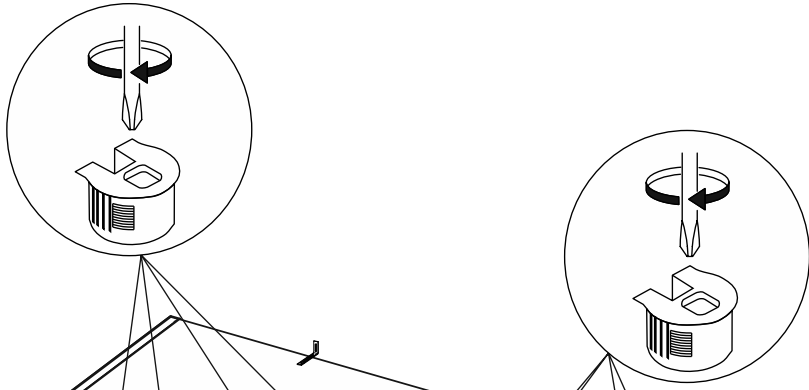
 9 x12 05027	 14 x48 Ø3x16 10217
--	--

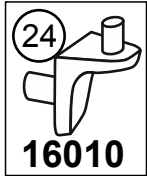


 19062	x1	 19116	x3	 10316	Ø 3.0x16	x48
---	----	--	----	--	----------	-----

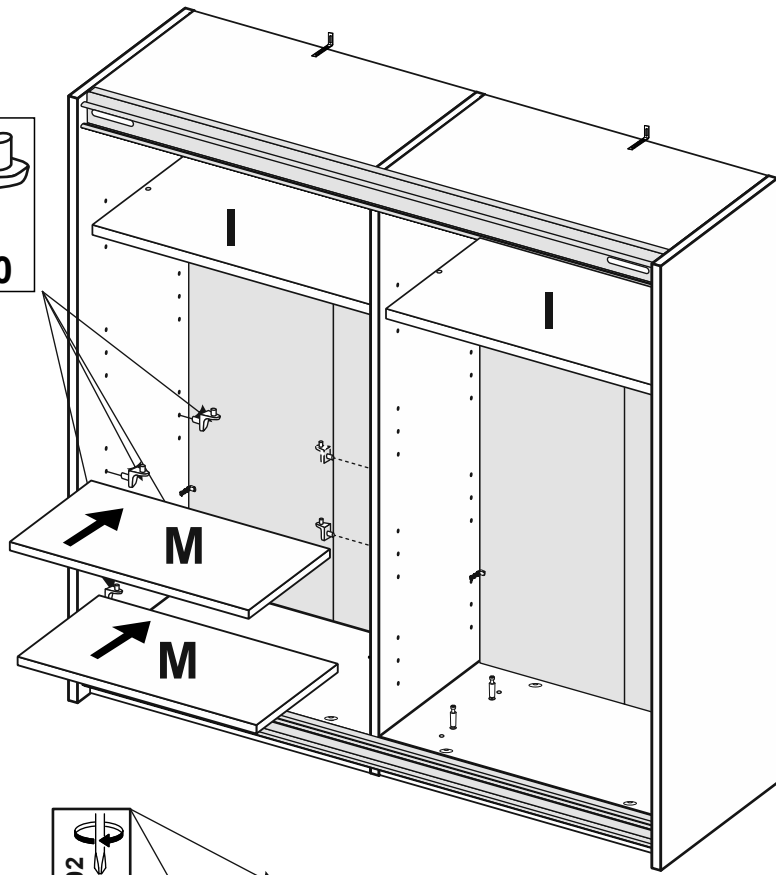


 24.1 x1	 24.2 x1	 24.10 x4	 24.4 x1	 24.3 x1	 24.11 x24	 05001 x1
---	---	--	---	---	---	--

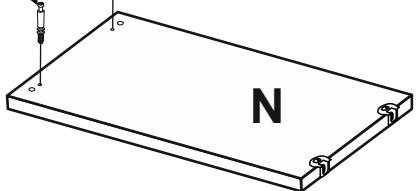




16010

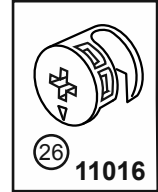


11002

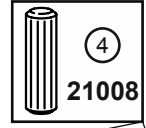


N

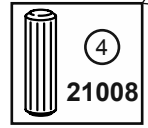
(24)	x8	(25)	x2
16010		11002	



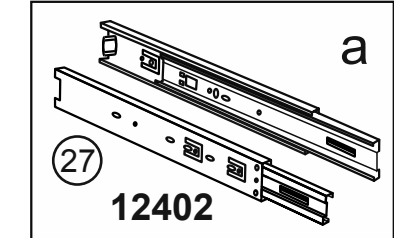
11016



21008

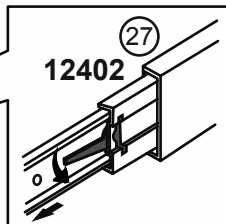


21008



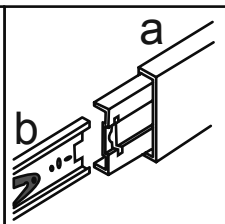
12402

a



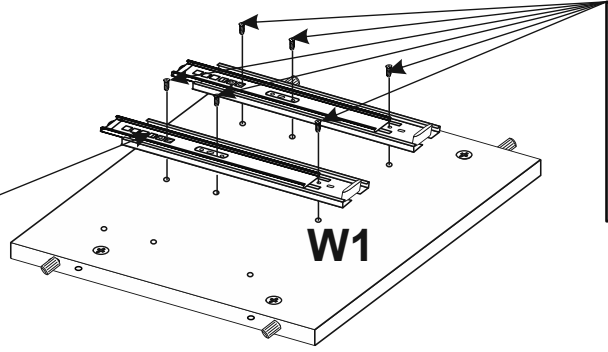
12402

(27)



a

b

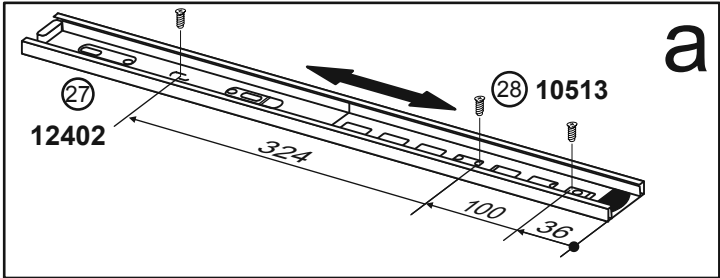


W1



10513

(28)

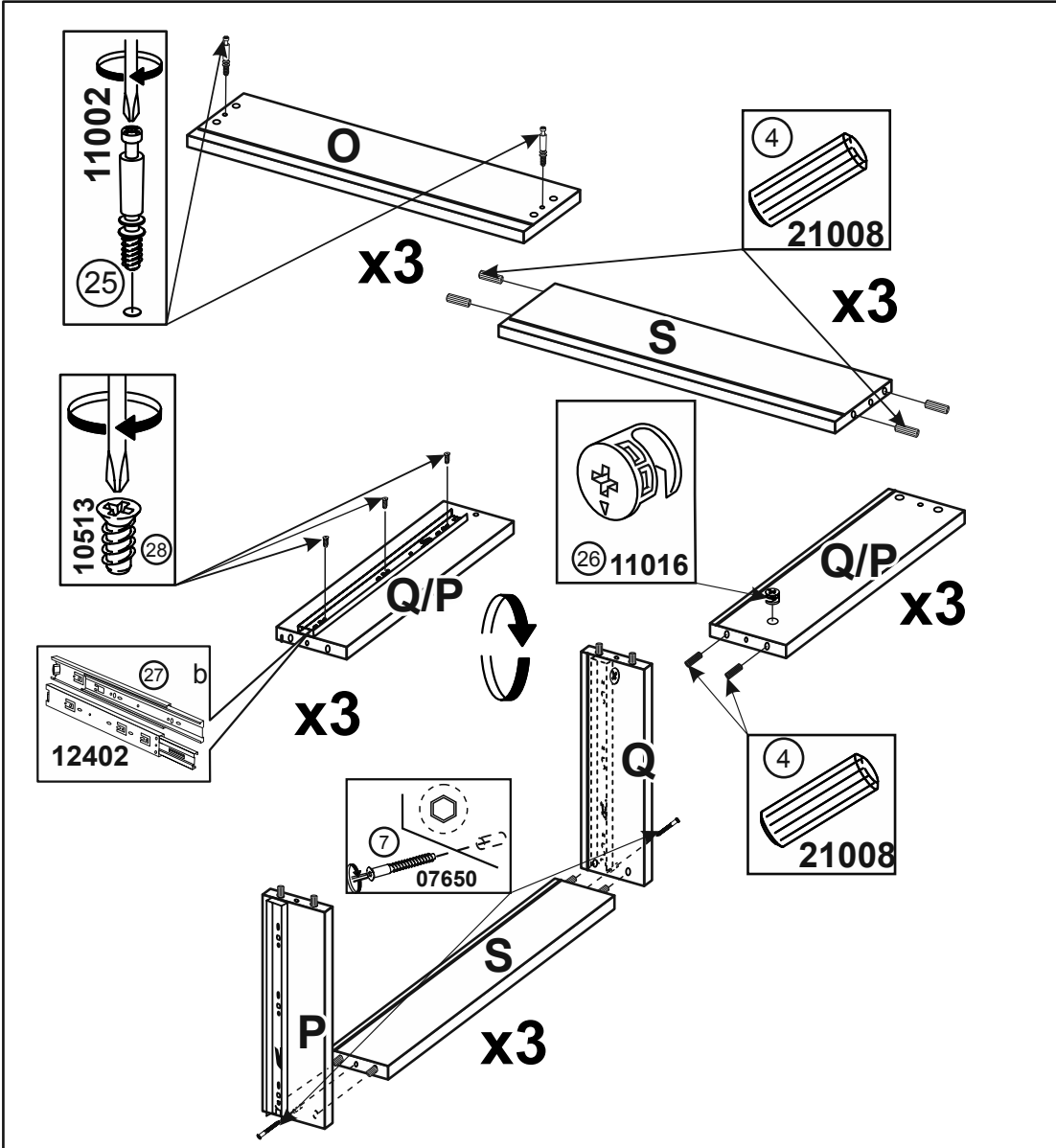




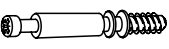
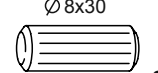

12402

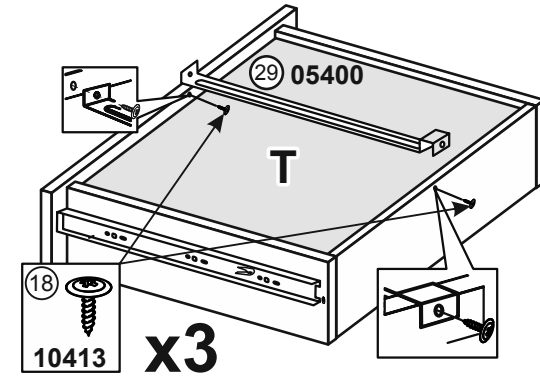
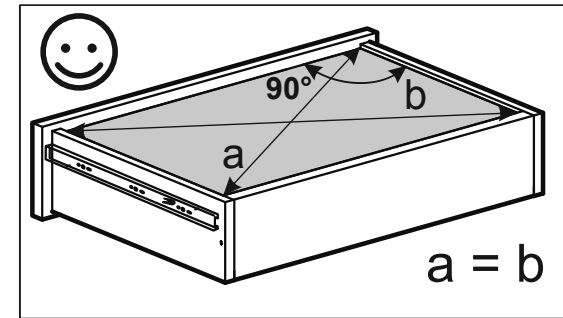
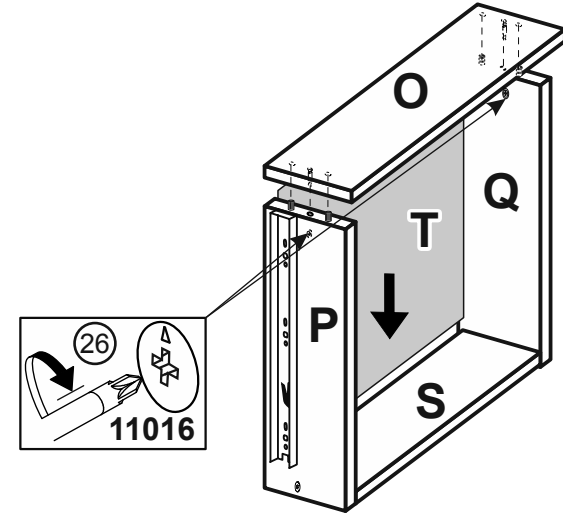
10513


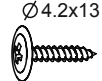
a

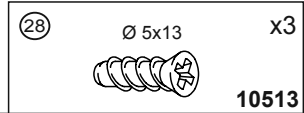
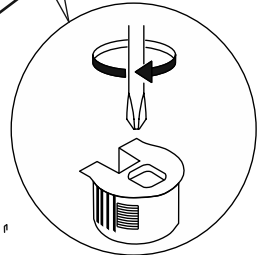
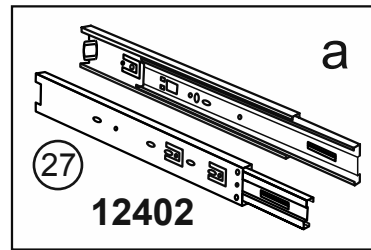
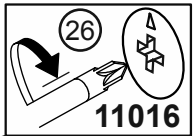
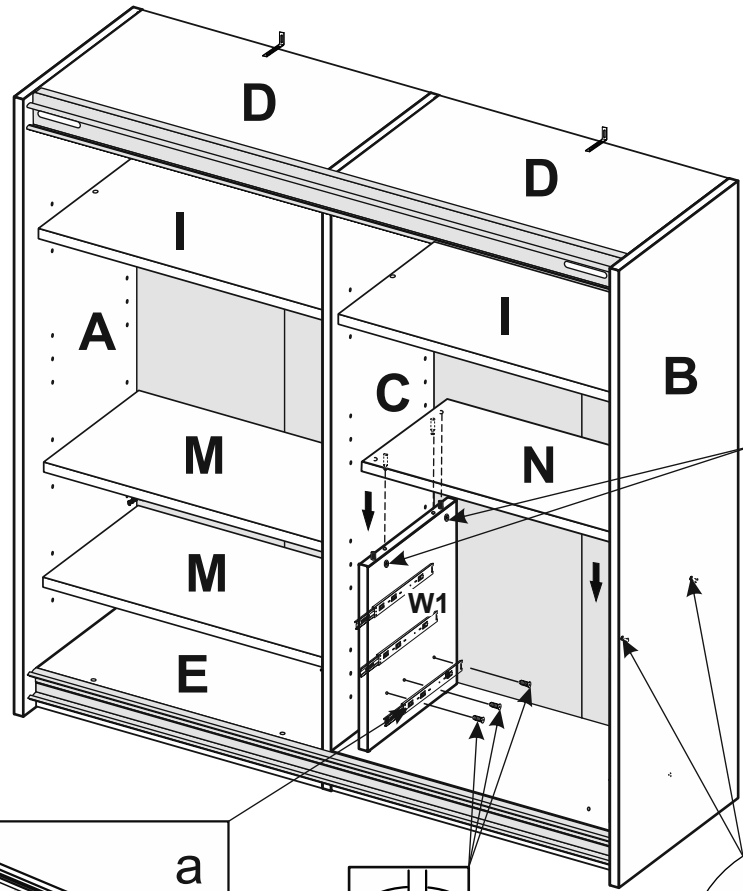
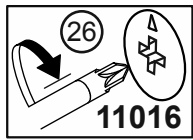
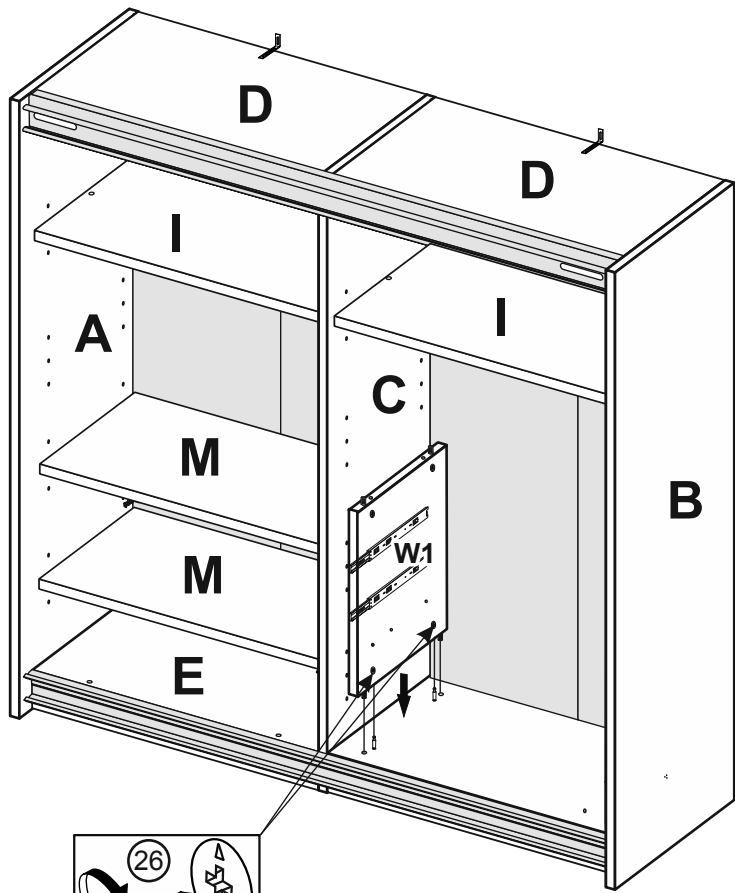
(26)	x4	(4)	Ø8x30	x4	(27)	x2	(28)	Ø5x13	x6
11016		21008		12402		10513			

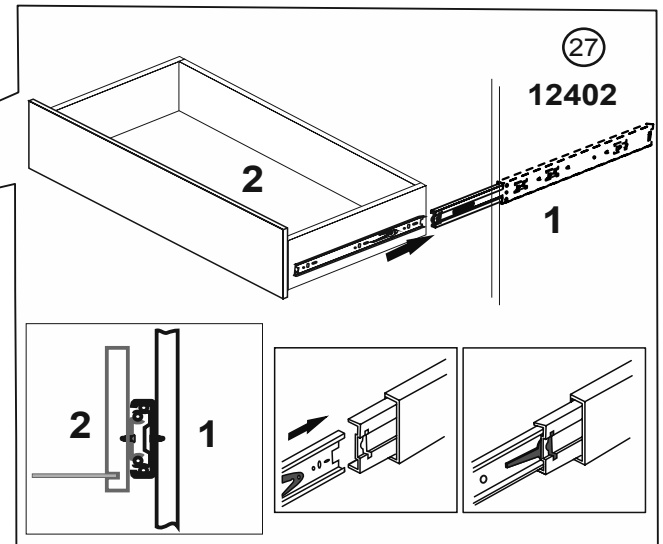
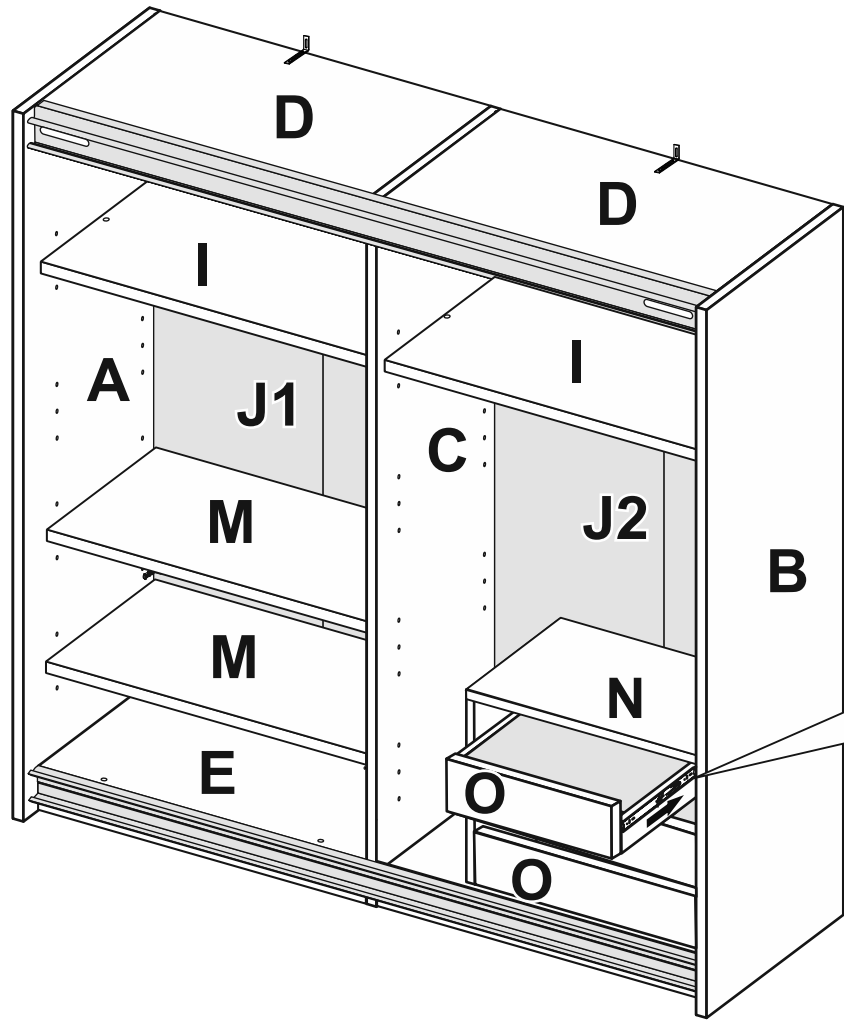


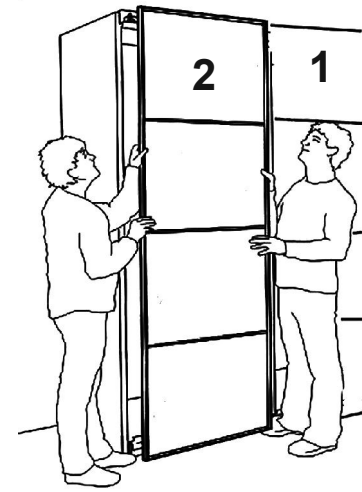
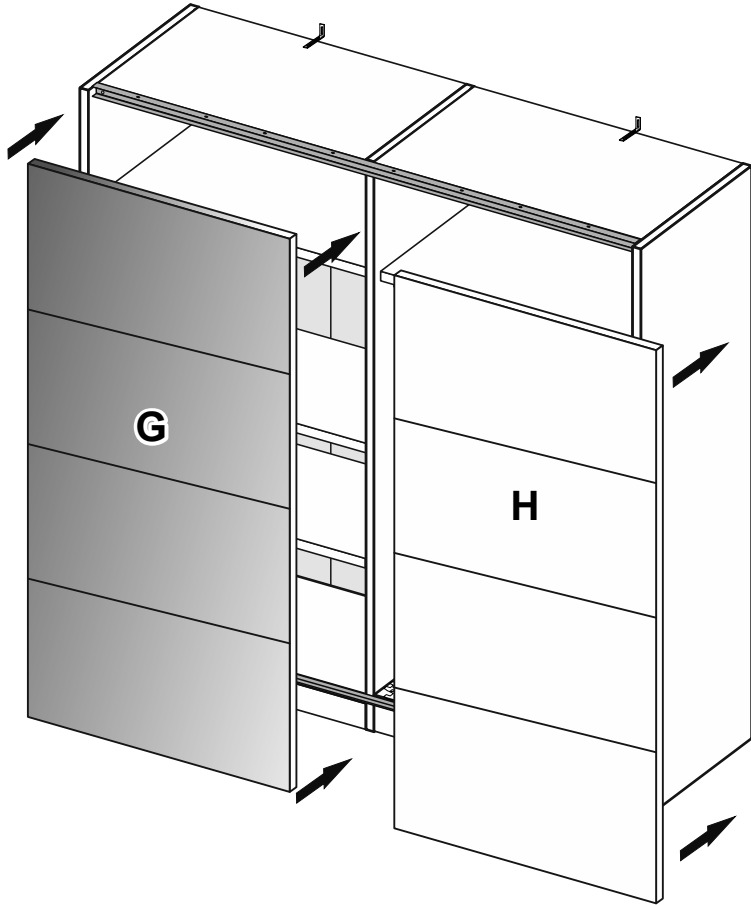
(28)  Ø 5x13 x18 10513	(7)  Ø 6.4x50 x6 07650
(25)  x6 11002	(4)  Ø 8x30 x24 21008
	(26)  x6 11016

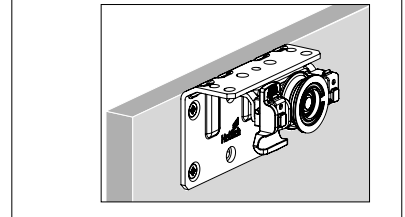
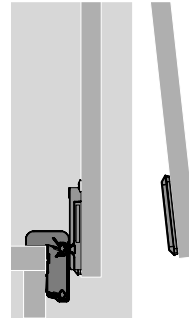
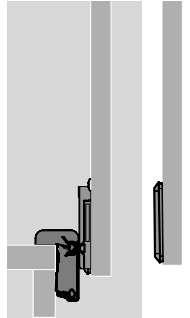
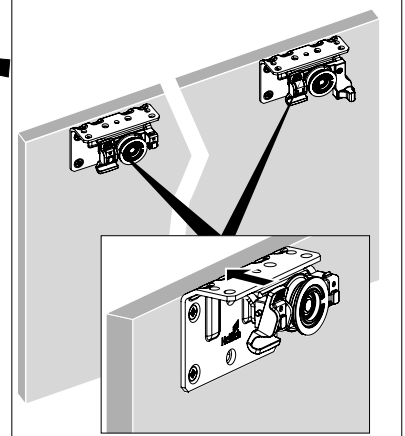
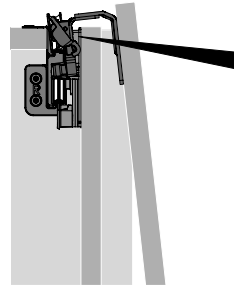
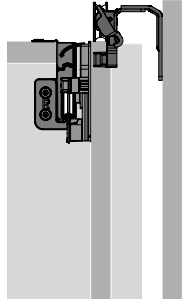
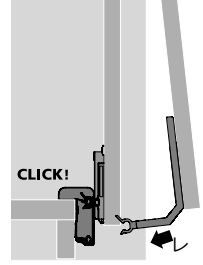
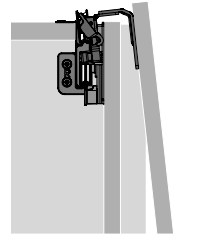
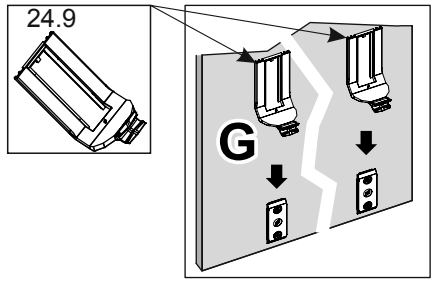
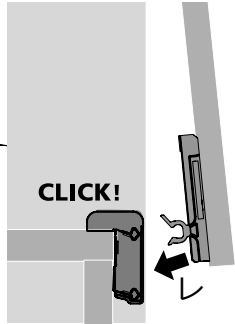
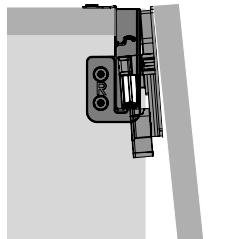
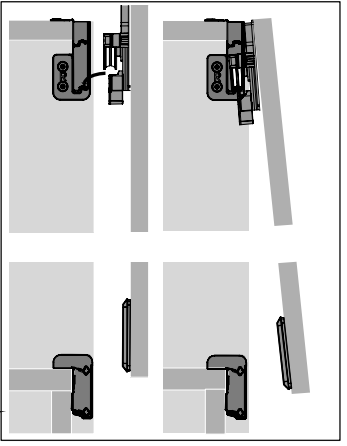
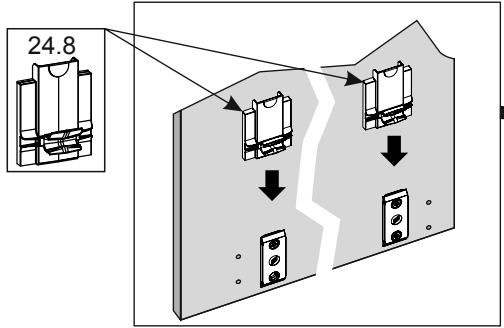
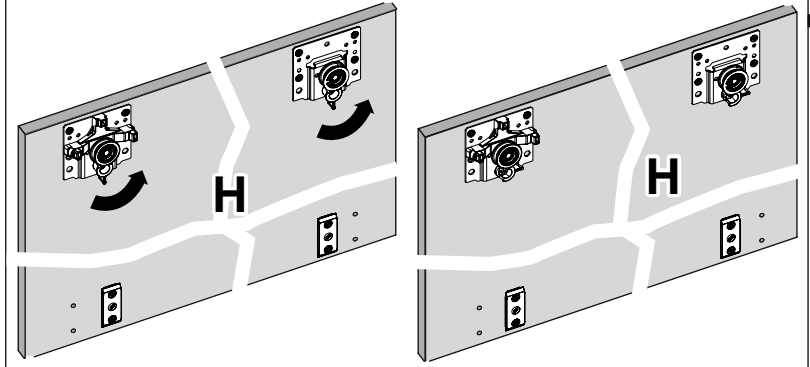
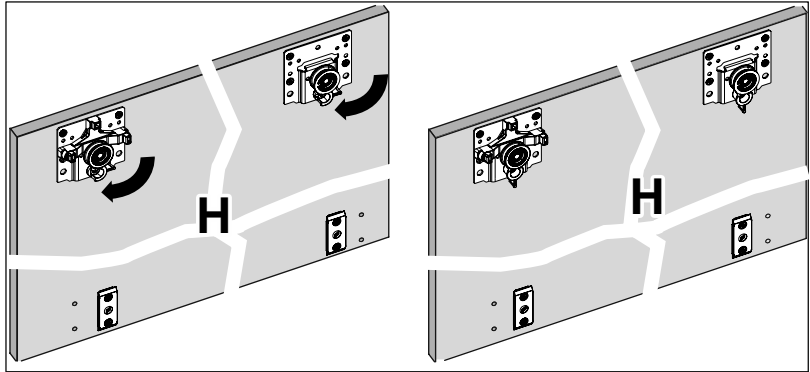


(29)  x3 05400	(18)  Ø 4.2x13 x6 10413
--	---

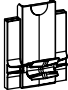








24.8 x2



24.9 x2

