

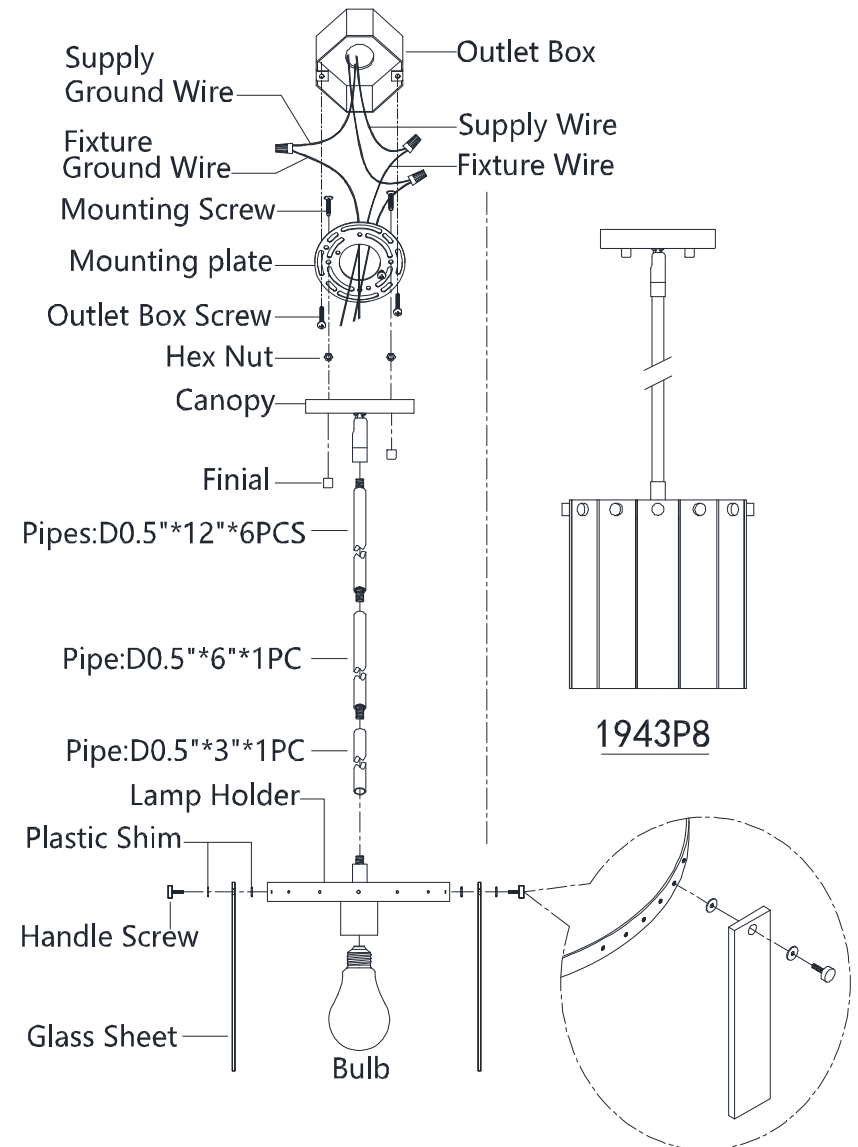
ASSEMBLY AND INSTALLATION INSTRUCTIONS

WARNING: SHUT POWER OFF AT FUSE OR CIRCUIT BREAKER!

NOTE: BEFORE INSTALLING, CONSULT LOCAL ELECTRICAL CODES FOR WIRING AND GROUNDING REQUIREMENT.

Installation Steps:

1. Shut off the power at the circuit breaker box. Remove old fixture and all hardware from Outlet Box.
2. Carefully unpack your new fixture and lay out all the parts on a clear area. Take care not to lose any small parts necessary for installation.
3. Thread the two Mounting Screws into the pre-drilled holes in the Mounting Plate spaced the same distance apart as the holes in the Canopy. Attach the Mounting Plate to the Outlet Box with the two Outlet Box Screws as shown. The side of the Mounting Plate marked "GND" must face to out.
4. This lamp body includes 8pcs Pipes to be connected into various height. Measure and determine correct number of Pipes required. Feed the wires from Lamp Holder through Pipes and Canopy, connect the Pipe to the thread nipple from Lamp Holder. Thread the thread nipple to inside of each Pipes, connect all the Pipes and Canopy together until secure.
5. Take this lamp body assembly to ceiling Outlet Box, connect the electrical wires.
6. **NOTE: make wires connections:**
 - **Attach fixture ground wire to supply ground wire using a wire nut or attach them to the mounting plate with a green ground screw.
 - **Attach fixture white wire from lamp body to supply white wire or ridge wire from power source with a wire nut.
 - **Attach fixture black wire from lamp body to supply black wire or smooth wire from power source with a wire nut.
 - **Observing: positive wire with positive wire, negative wire with negative wire, ground wire with ground wire.
7. Make sure all wire connectors are secured and do not easily pull off with the slight tug. After wires are connected, tuck them carefully inside the Outlet Box. Raise the Canopy on to the Outlet Box, aligning screws on Mounting Plate with mounting holes in Canopy and lock it securely with the Finials.
8. Install the light bulb(Not included) in accordance with the fixture's specifications.
NOTE: DO NOT EXCEED THE MAXIMUM WATTAGE RATING!
9. Raise the Glass Sheet to Lamp Holder side and use Handle Screw to secure Glass Sheet as well as Plastic Shim onto Lamp Holder. **Note: handle screws do not lock too tightly! !**
10. Your installation is now complete. Return power to the outlet box and test the lamp body.



Note: handle screw do not lock too tightly! !